



US00D484517S

(12) **United States Design Patent**
Nishi

(10) **Patent No.:** **US D484,517 S**

(45) **Date of Patent:** **** *Dec. 30, 2003**

(54) **SIDE CUTTER FOR SEWING MACHINE**

(75) **Inventor:** **Saburo Nishi**, Niigata Pref. (JP)

(73) **Assignee:** **Nishi Manufacturing Co., Ltd.**,
Niigata Pref. (JP)

(*) **Notice:** This patent is subject to a terminal disclaimer.

(**) **Term:** **14 Years**

(21) **Appl. No.:** **29/159,519**

(22) **Filed:** **Apr. 24, 2002**

(30) **Foreign Application Priority Data**

Feb. 18, 2002 (JP) 2002-003996

(51) **LOC (7) Cl.** **15-06**

(52) **U.S. Cl.** **D15/72**

(58) **Field of Search** D15/66, 77, 78;
112/129, 128, 122, 153

(56) **References Cited**

U.S. PATENT DOCUMENTS

2,021,700 A * 11/1935 Pugach 112/128

2,443,369 A * 6/1948 Alifano et al. 112/128
4,572,089 A * 2/1986 Nishi 112/128
4,984,525 A * 1/1991 Mori 112/128
6,460,474 B1 * 10/2002 Nishi 112/129

* cited by examiner

Primary Examiner—Mitchell Siegel

(74) *Attorney, Agent, or Firm*—Wenderoth, Lind & Ponack,
L.L.P.

(57) **CLAIM**

The ornamental design for a side cutter for sewing machine,
as shown.

DESCRIPTION

FIG. 1 is a front view of a side cutter for sewing machine
showing my new design;

FIG. 2 is a rear view thereof;

FIG. 3 is a left side view thereof;

FIG. 4, is a right side view thereof;

FIG. 5 is a plan view thereof;

FIG. 6 is a bottom view thereof; and,

FIG. 7 is a perspective view thereof.

1 Claim, 4 Drawing Sheets

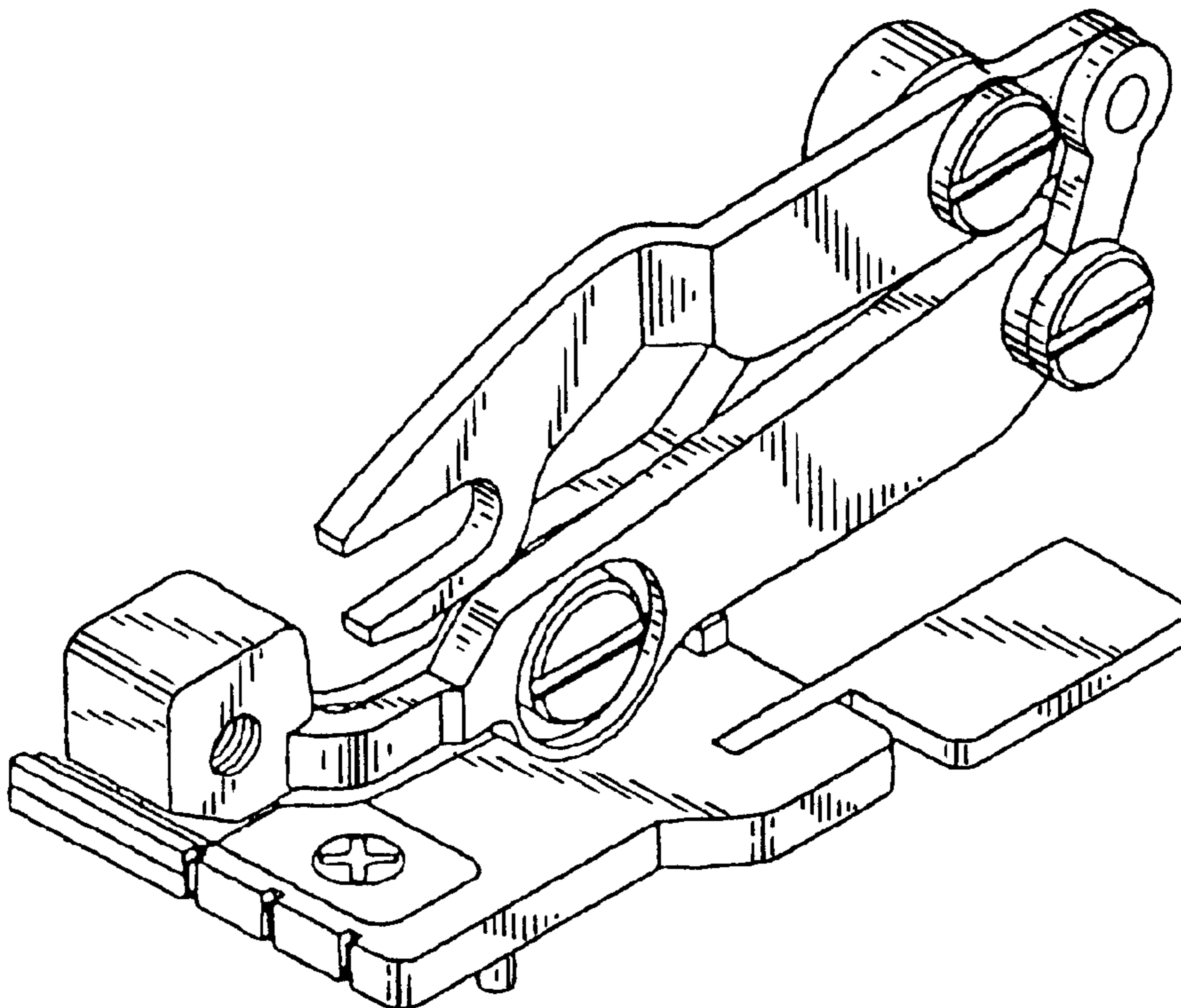


FIG. 1

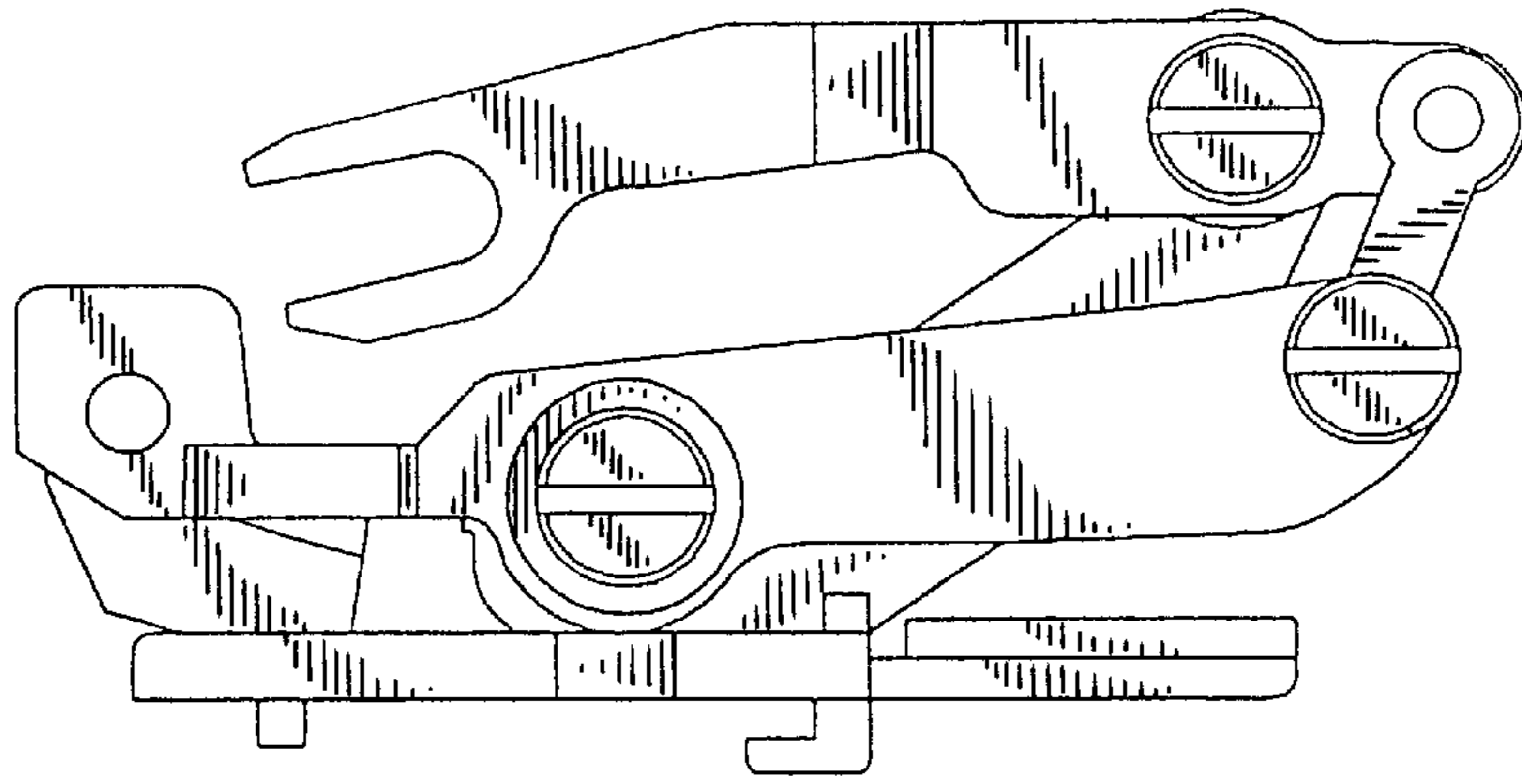


FIG. 2

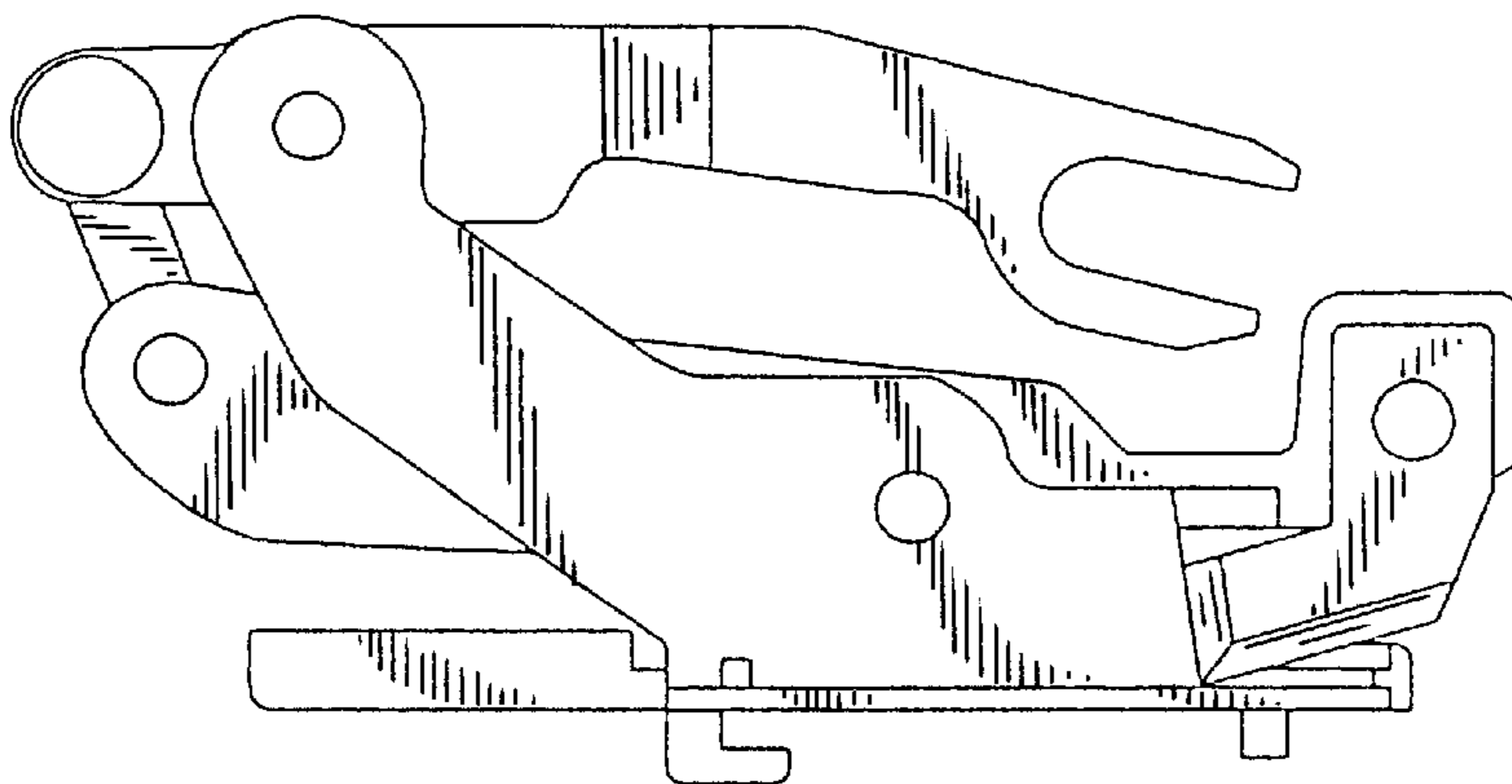


FIG. 3

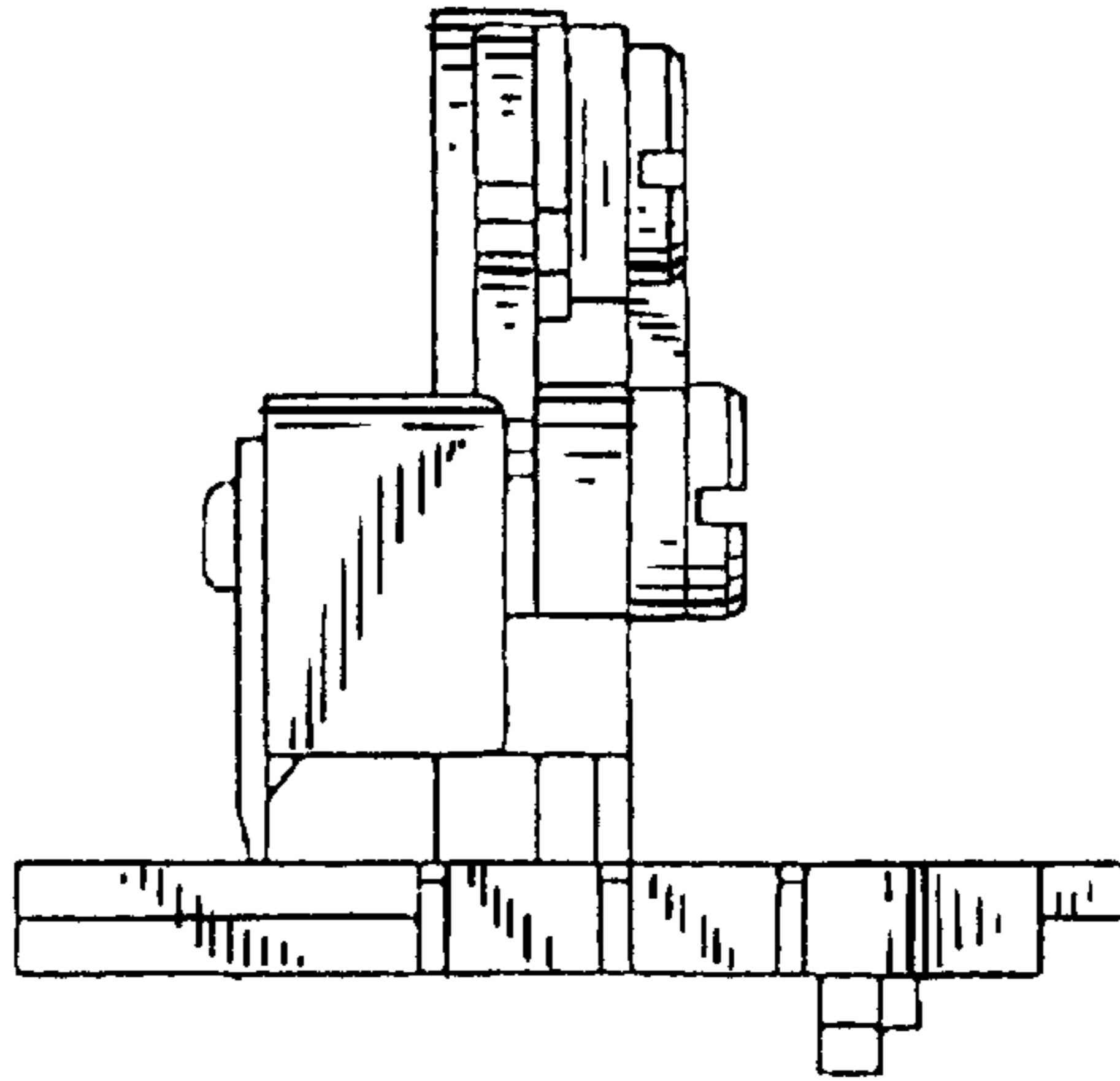


FIG. 4

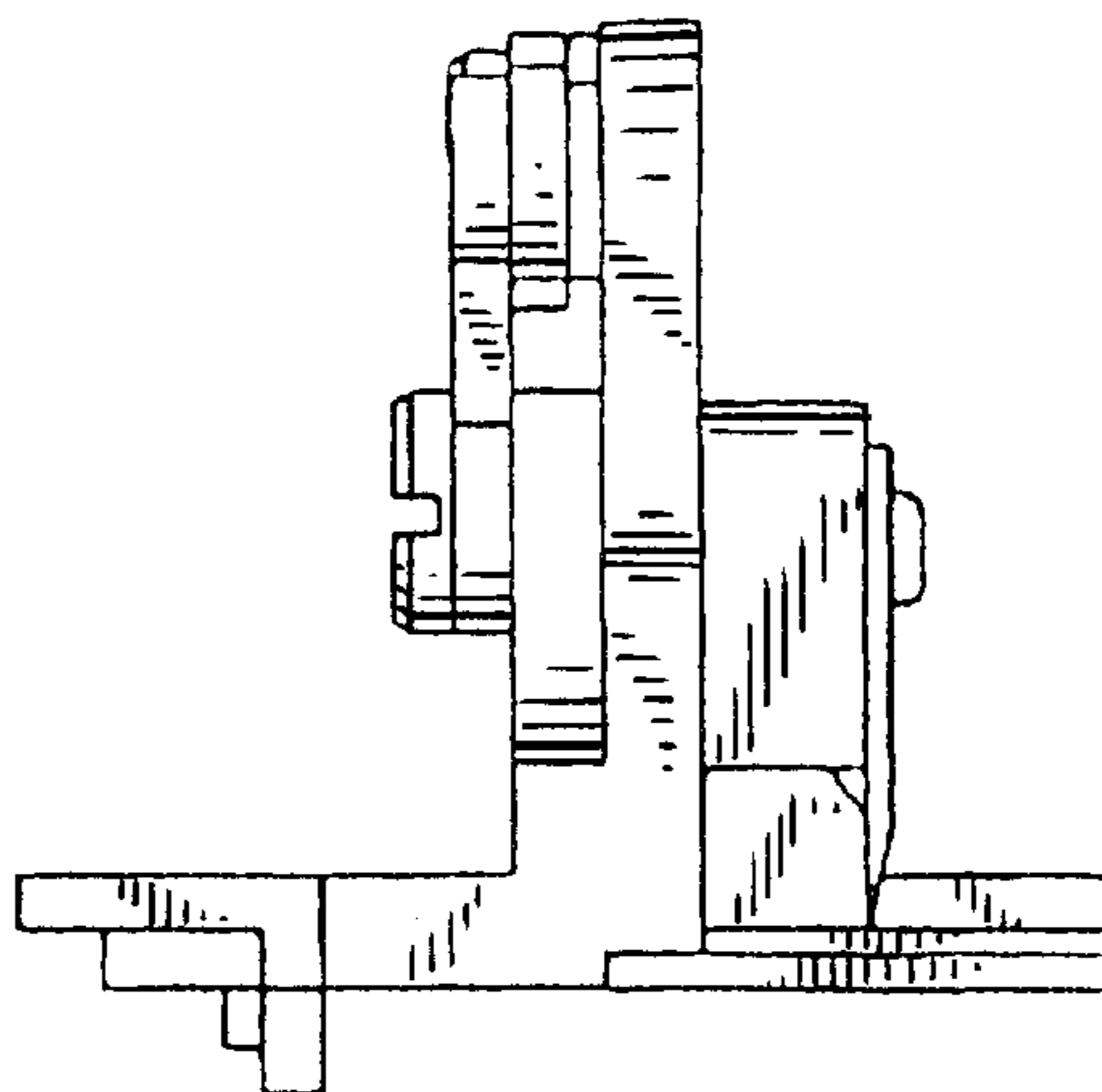


FIG. 5

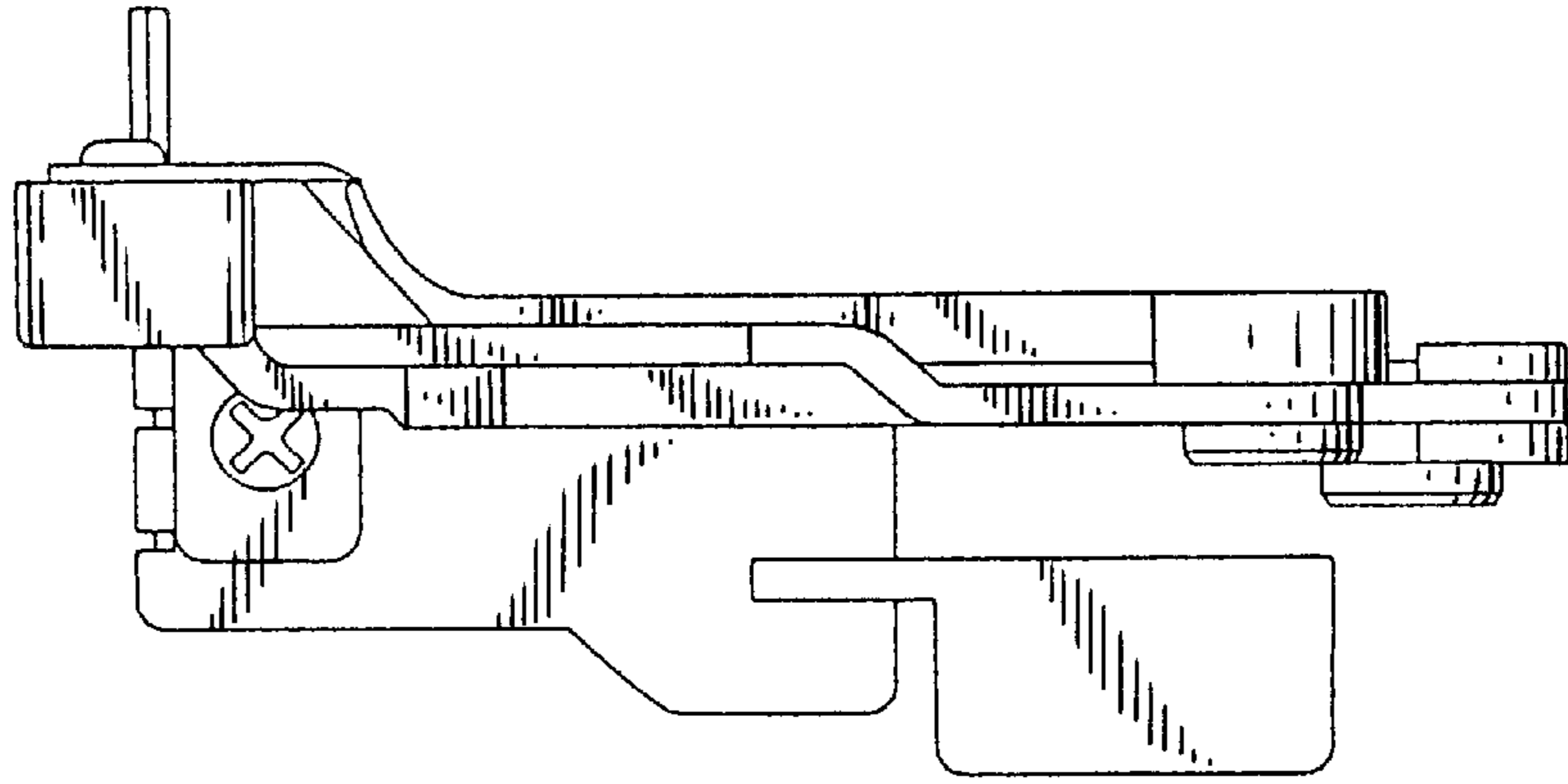


FIG. 6

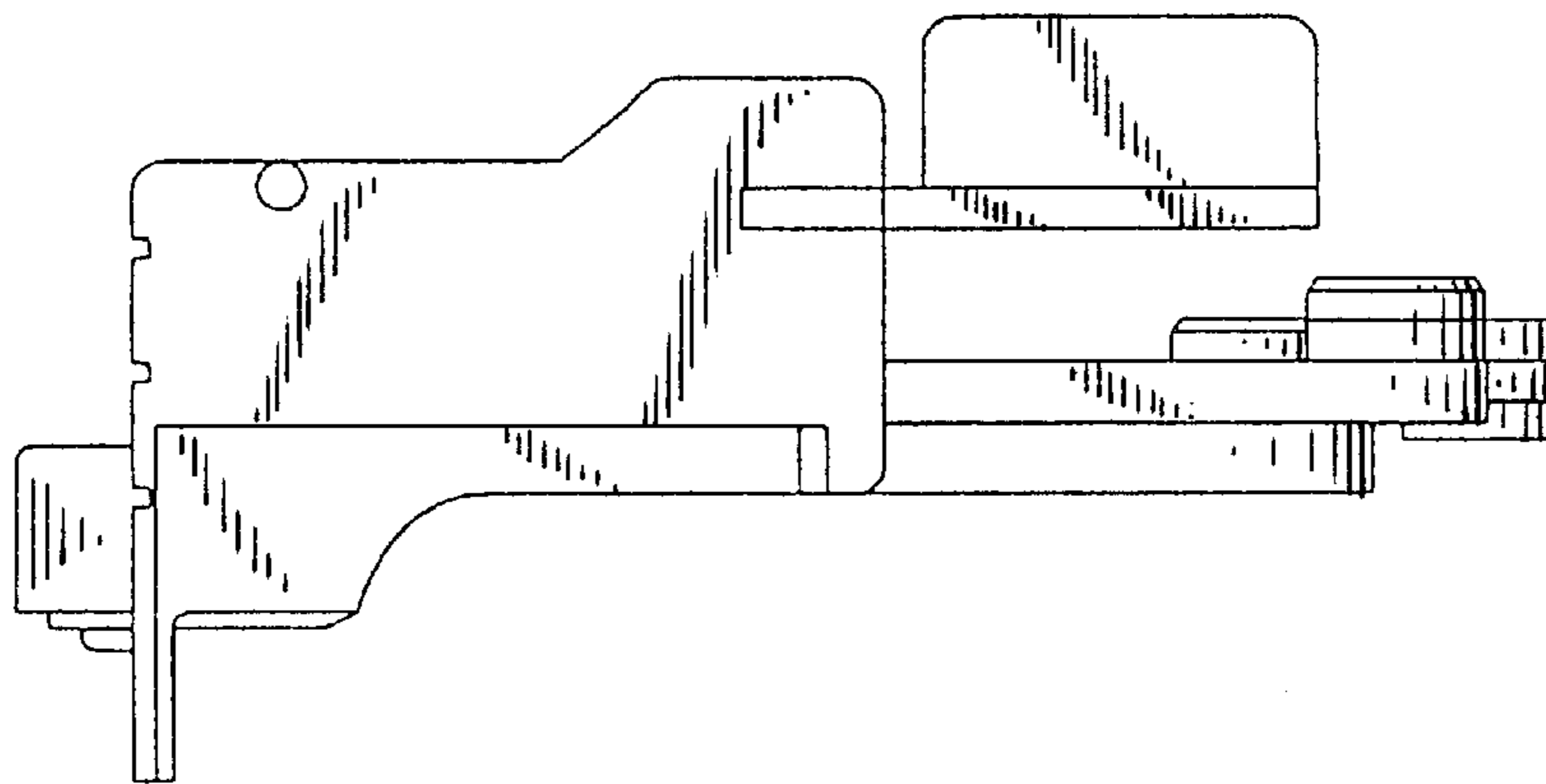


FIG. 7

