



US00D484516S

(12) **United States Design Patent** (10) **Patent No.:** **US D484,516 S**
McCord et al. (45) **Date of Patent:** **** Dec. 30, 2003**

(54) **FOOTREST**

(75) Inventors: **Christopher Thomas McCord**, Thomson, GA (US); **Russell William Strong**, Craftsbury Common, VT (US); **John David Sundberg**, Martinez, GA (US); **Marlin Lavon Goodnight**, Evans, GA (US)

(73) Assignee: **Deere & Company**, Moline, IL (US)

(**) Term: **14 Years**

(21) Appl. No.: **29/170,310**

(22) Filed: **Nov. 1, 2002**

(51) **LOC (7) Cl.** **15-03**

(52) **U.S. Cl.** **D15/28**

(58) **Field of Search** D15/28, 33, 14, D15/15, 22-26; 56/15.9, 205, 255, 294, 320.1, 320.2, 13.3, 13.6, 16.1, 15.8; 172/811; 180/69.2, 59.1, 89.12, 89.13, 900, 273

(56) **References Cited**

U.S. PATENT DOCUMENTS

D209,043 S	*	10/1967	Purcell	D15/28
D310,374 S		9/1990	Westimayer et al.	D15/15
D326,660 S		6/1992	Flenniken et al.	D15/17
D365,573 S		12/1995	Westimayer et al.	D15/17
D440,233 S	*	4/2001	Smith	D15/17
D440,982 S	*	4/2001	Knight et al.	D15/23
D447,491 S		9/2001	Goebert et al.	D15/17
D448,390 S	*	9/2001	Westimayer et al.	D15/28
D449,056 S	*	10/2001	Westimayer et al.	D15/28
D453,777 S	*	2/2002	Williams	D15/33
D460,088 S	*	7/2002	Hohnl et al.	D15/33

* cited by examiner

Primary Examiner—Mitchell Siegel

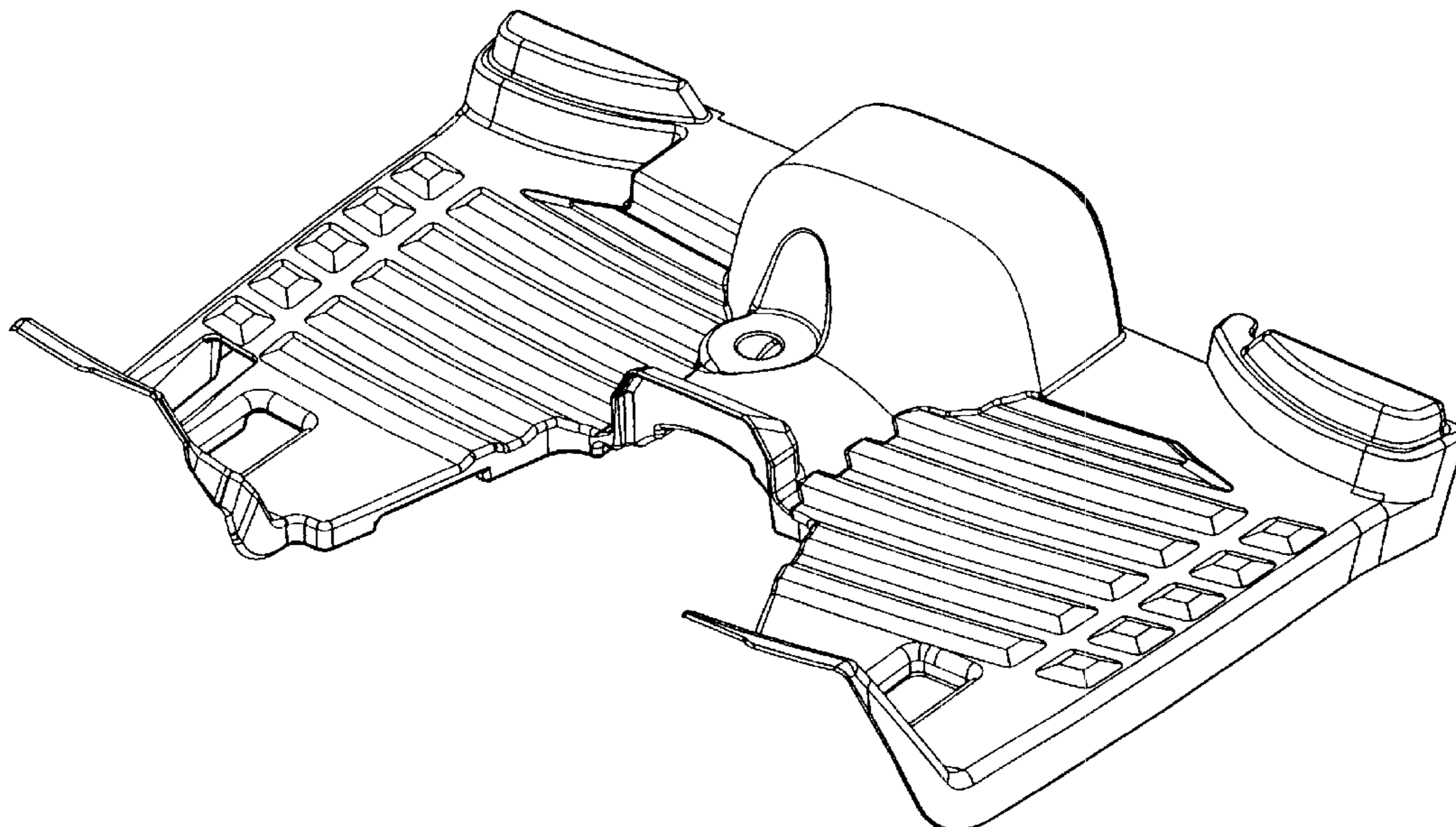
(57) **CLAIM**

The ornamental design for a footrest, as shown and described.

DESCRIPTION

FIG. 1 is a left front elevated perspective view of a footrest showing our new design.
 FIG. 2 is a rear view of the footrest design of FIG. 1.
 FIG. 3 is a front view of the footrest design of FIG. 1.
 FIG. 4 is a right side view of the footrest design of FIG. 1.
 FIG. 5 is a top view of the footrest design of FIG. 1.
 FIG. 6 is a left side view of the footrest design of FIG. 1.
 FIG. 7 is a left front elevated perspective view of a footrest showing a second embodiment of our new design.
 FIG. 8 is a rear view of the footrest design of FIG. 7.
 FIG. 9 is a front view of the footrest design of FIG. 7.
 FIG. 10 is a right side view of the footrest design of FIG. 7.
 FIG. 11 is a top view of the footrest design of FIG. 7.
 FIG. 12 is a left side view of the footrest design of FIG. 7.
 FIG. 13 is a left front elevated perspective view of a footrest showing a third embodiment of our new design.
 FIG. 14 is a rear view of the footrest design of FIG. 13.
 FIG. 15 is a front view of the footrest design of FIG. 13.
 FIG. 16 is a right side view of the footrest design of FIG. 13.
 FIG. 17 is a top view of the footrest design of FIG. 13.
 FIG. 18 is a left side view of the footrest design of FIG. 13.
 FIG. 19 is a left front elevated perspective view of a footrest showing a fourth embodiment of our new design.
 FIG. 20 is a rear view of the footrest design of FIG. 19.
 FIG. 21 is a right side view of the footrest design of FIG. 19.
 FIG. 22 is a top view of the footrest design of FIG. 19; and,
 FIG. 23 is a left side view of the footrest design of FIG. 19.
 The broken line showing is for illustrative purposes only and forms no part of the claimed design.

1 Claim, 8 Drawing Sheets



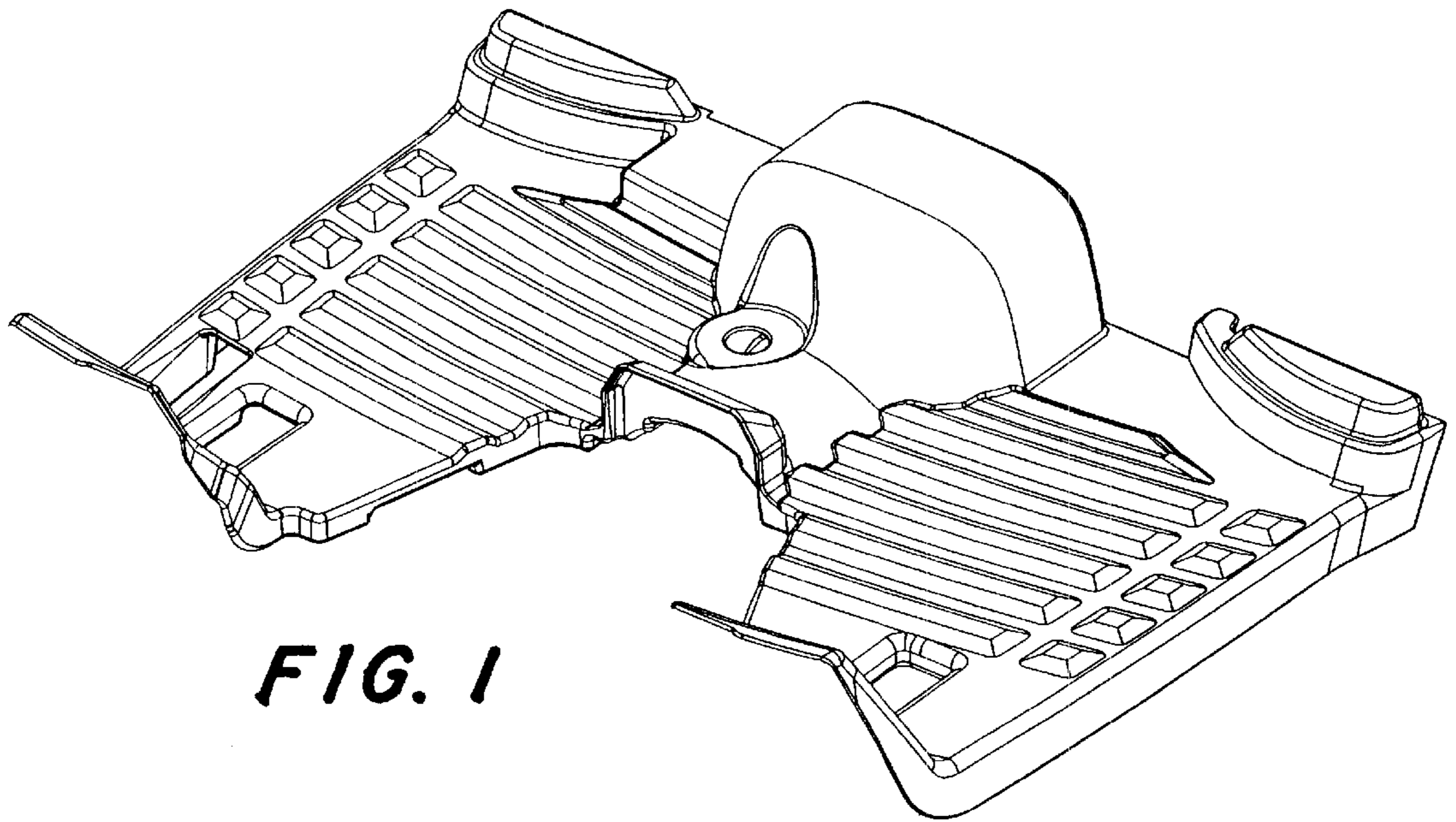


FIG. 1



FIG. 2

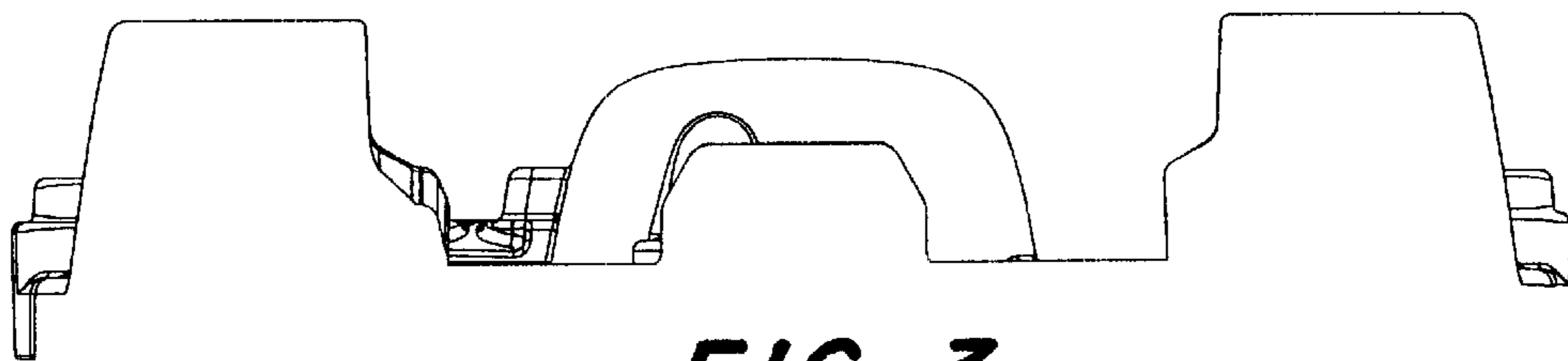


FIG. 3

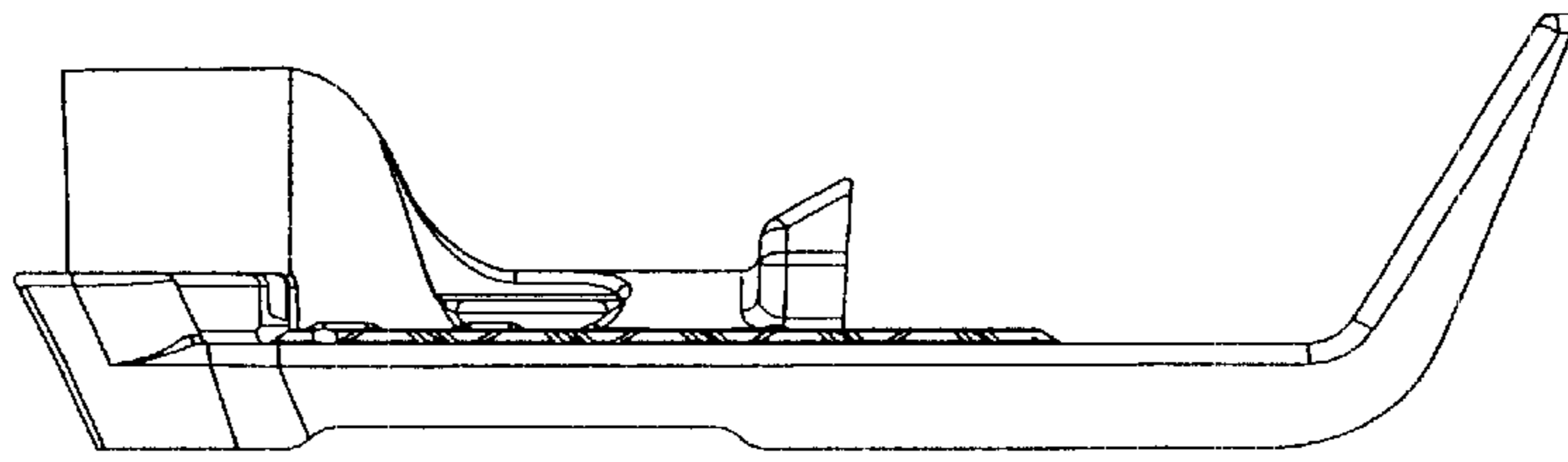


FIG. 4

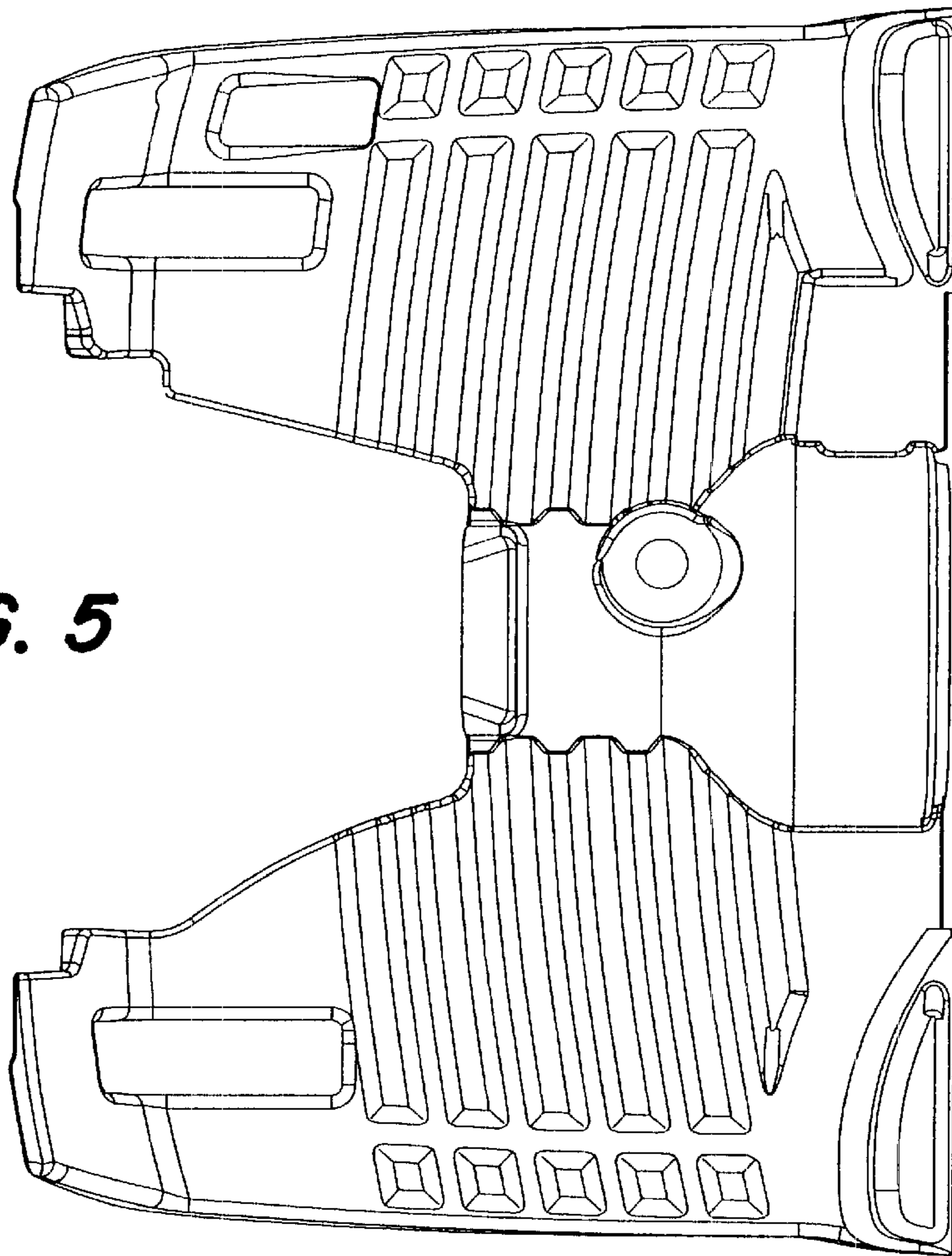


FIG. 5

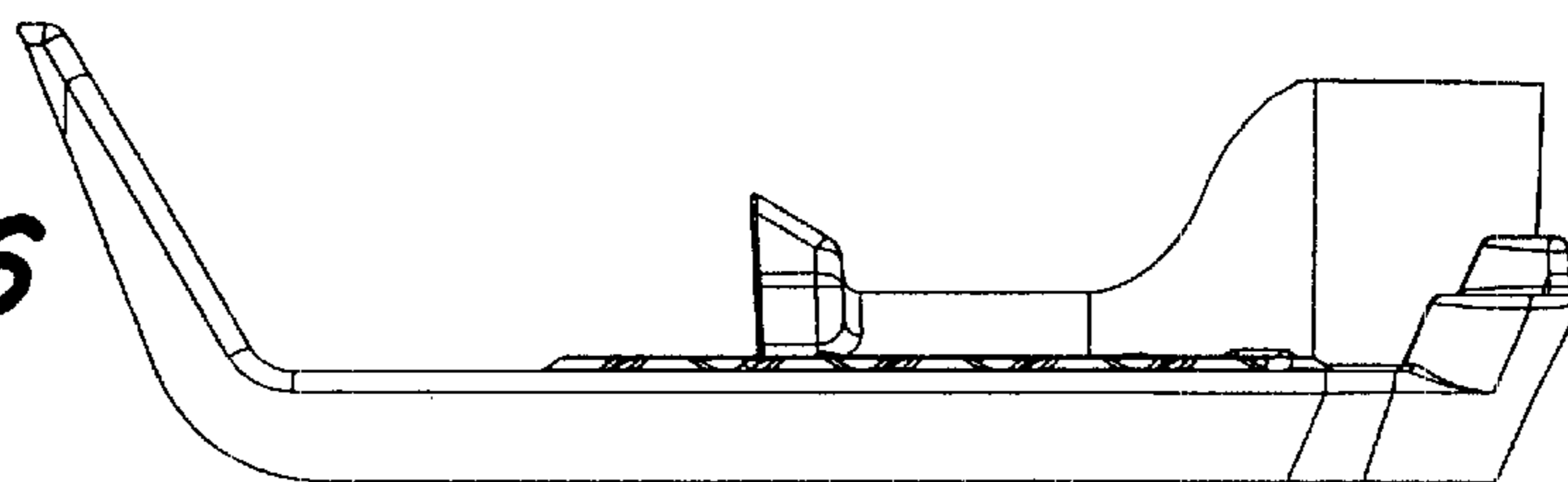


FIG. 6

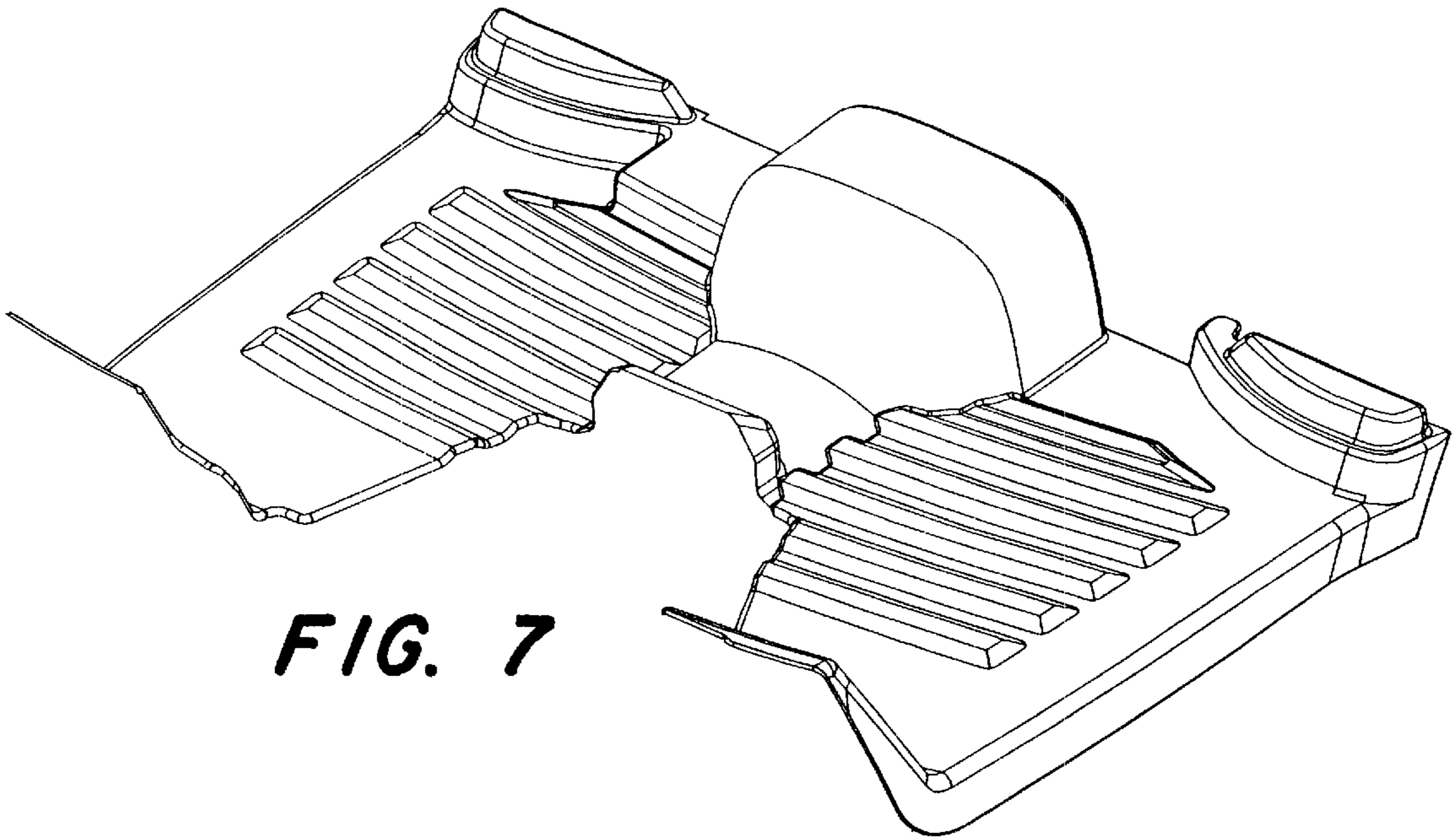


FIG. 7



FIG. 8

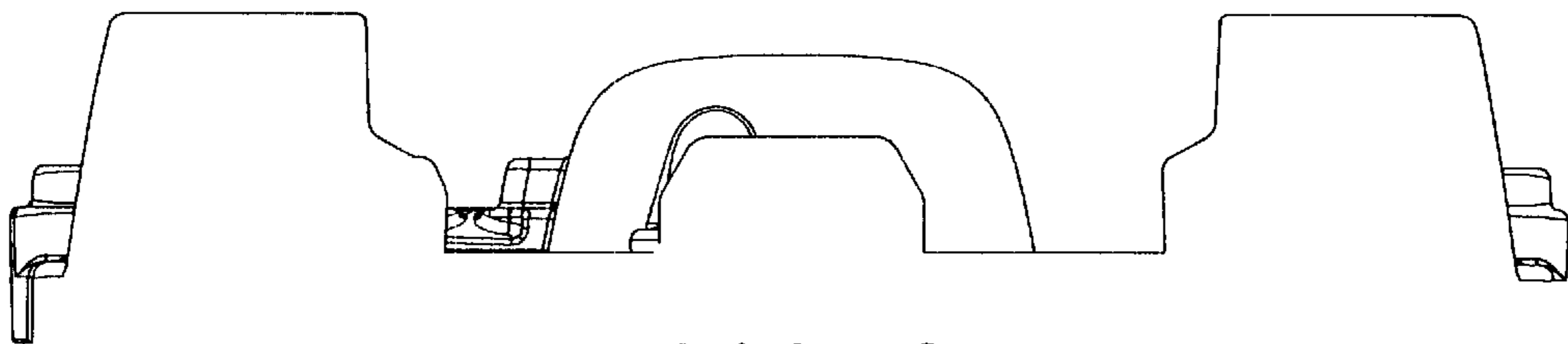


FIG. 9

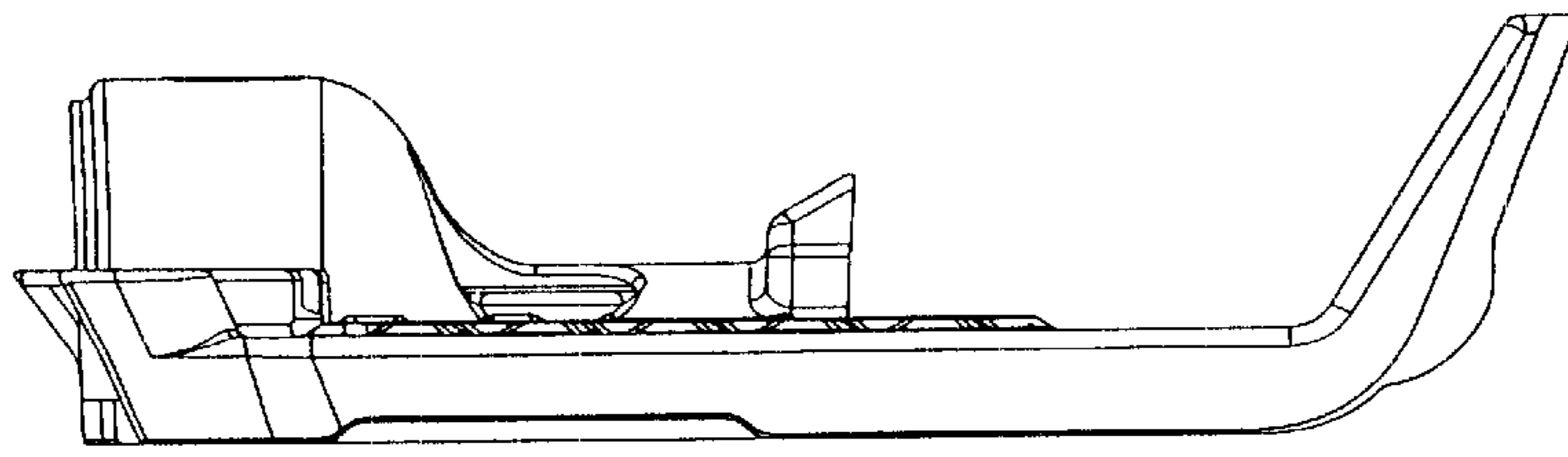


FIG. 10

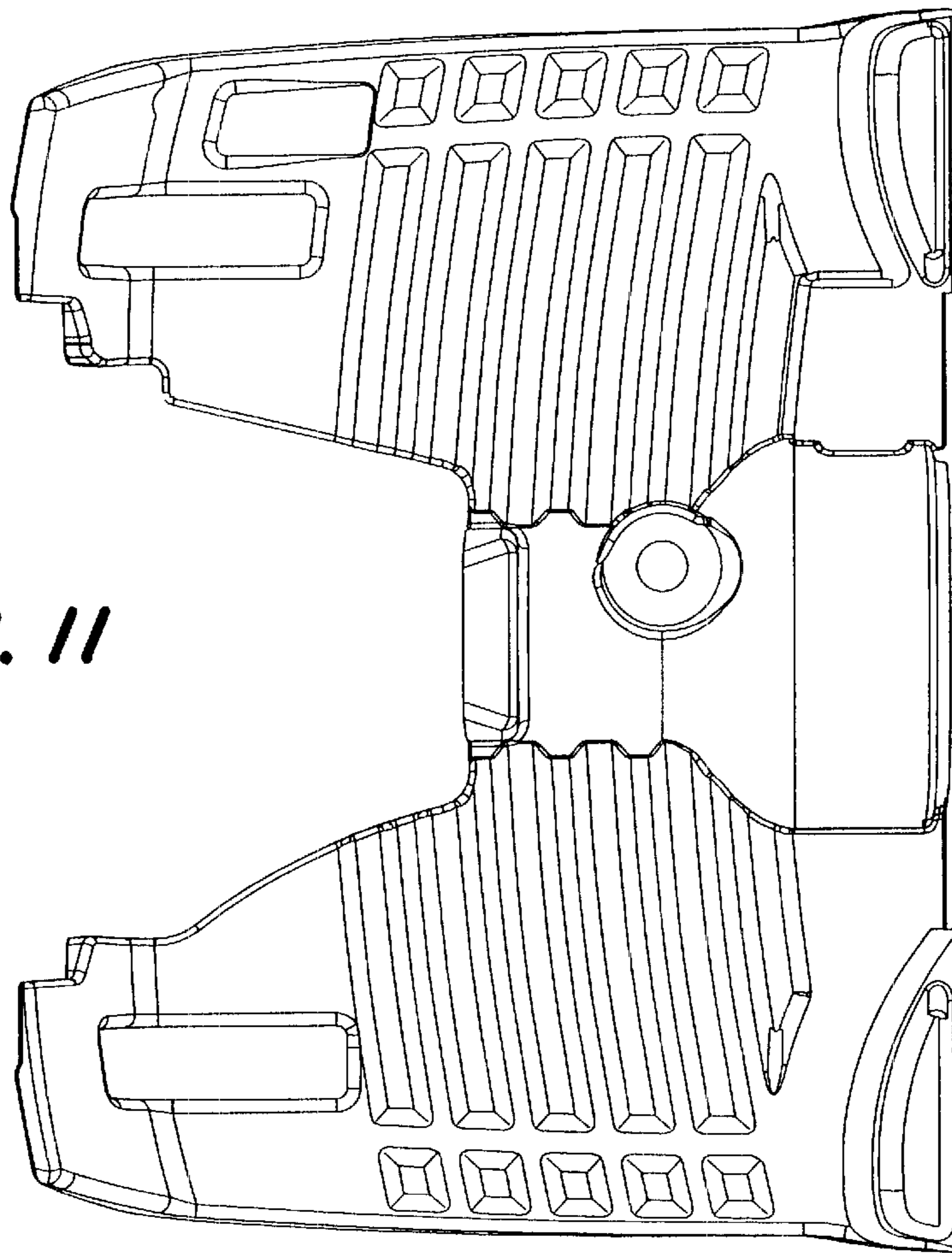


FIG. 11

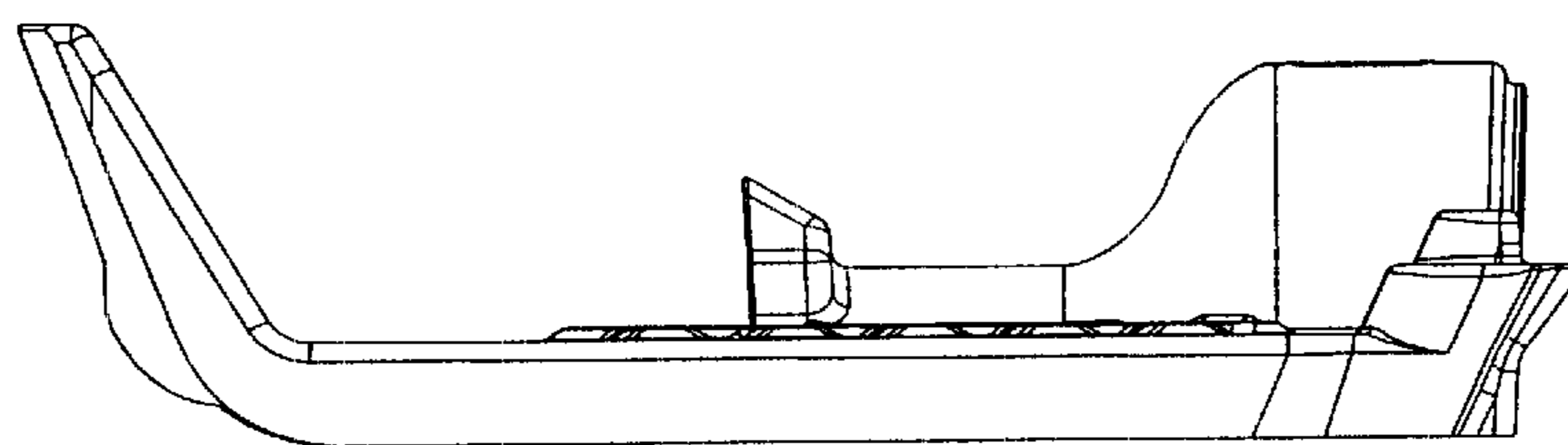


FIG. 12

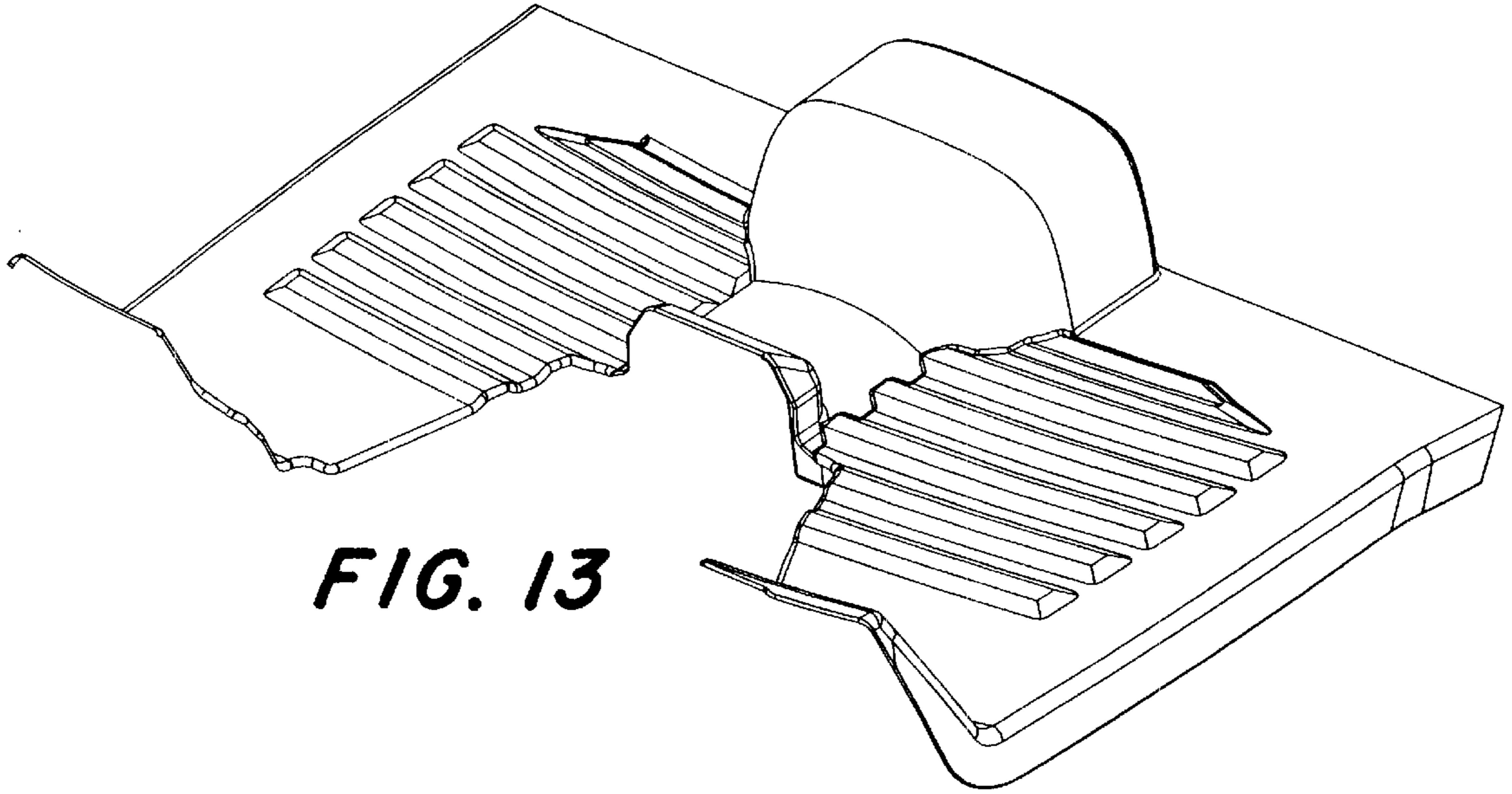


FIG. 13



FIG. 14

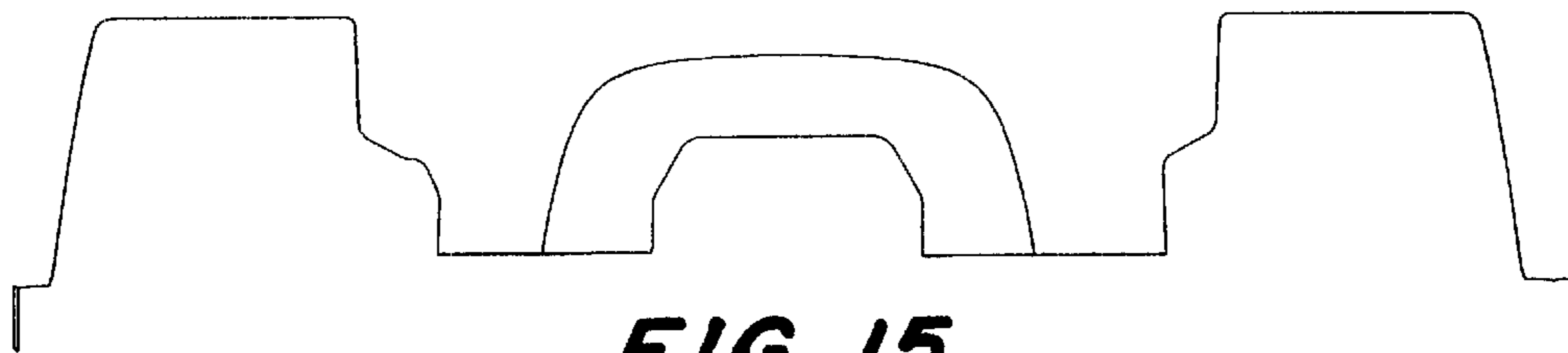


FIG. 15

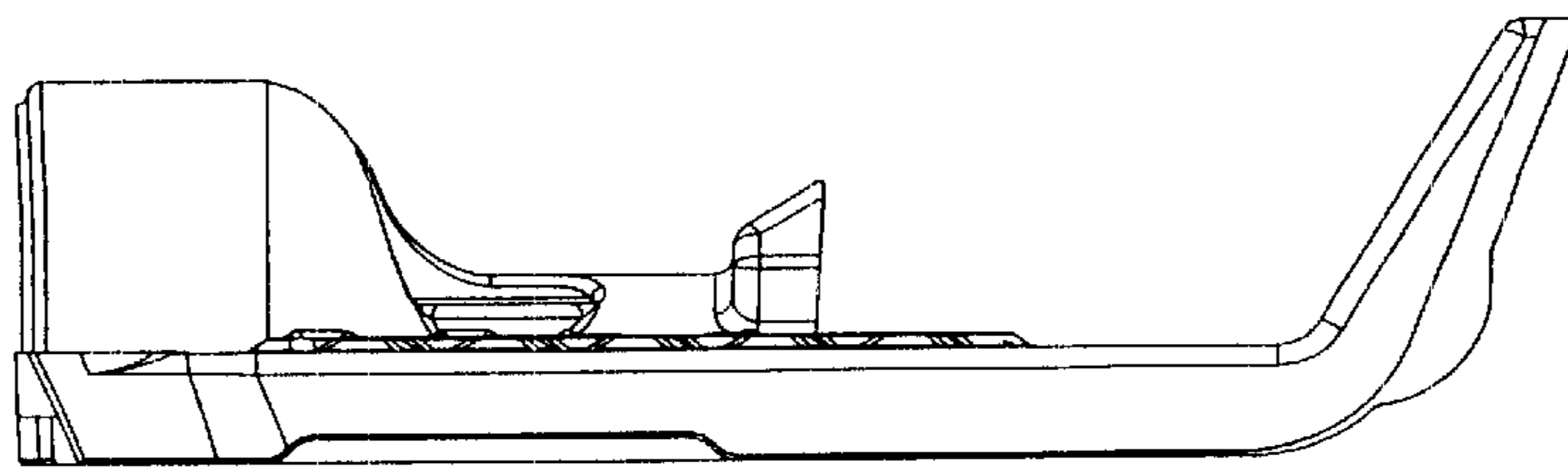


FIG. 16

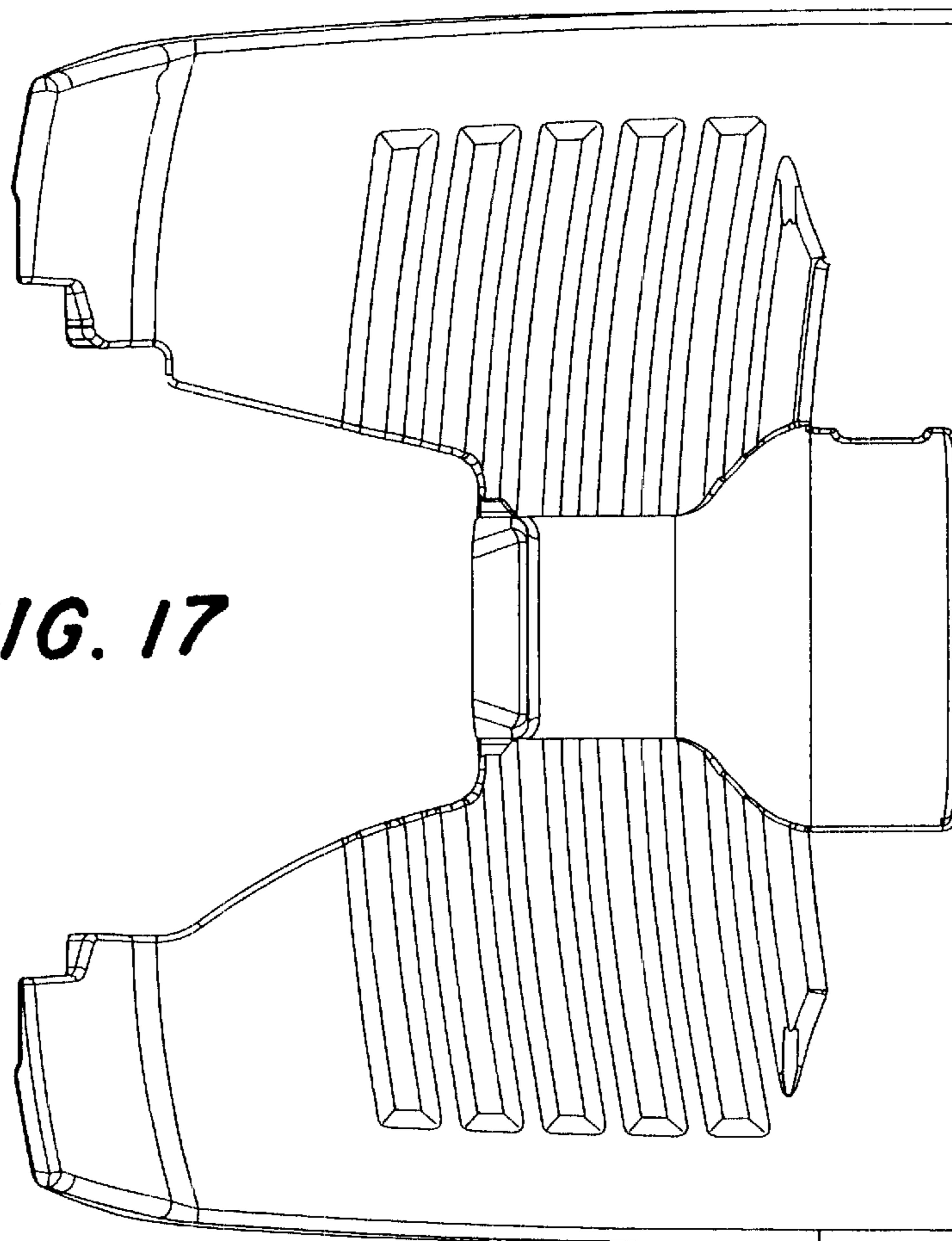


FIG. 17

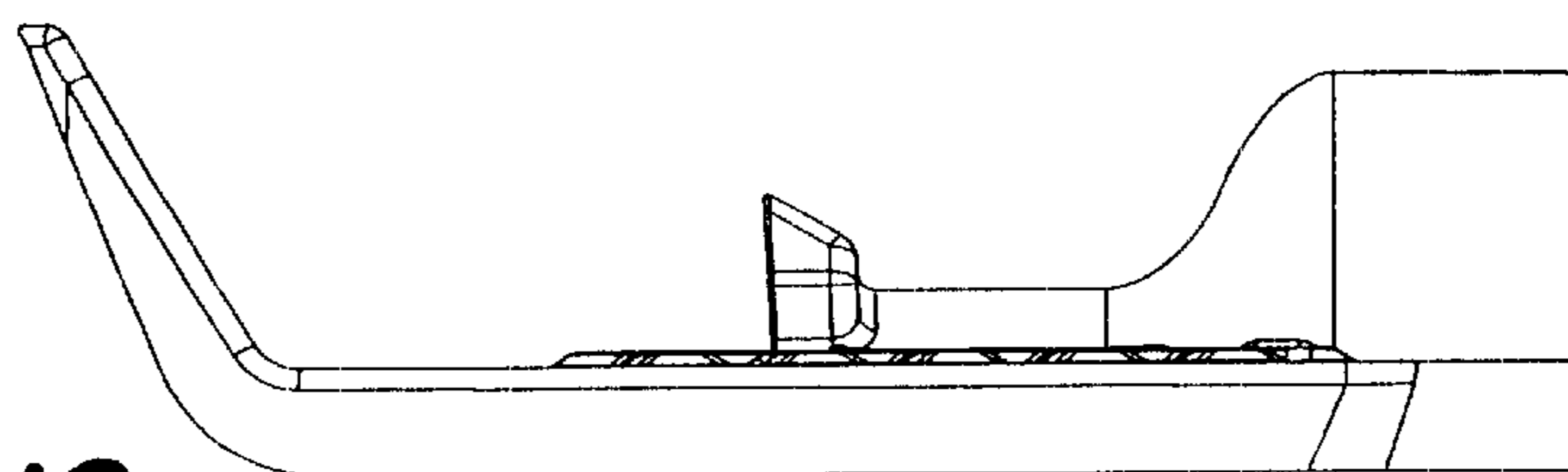
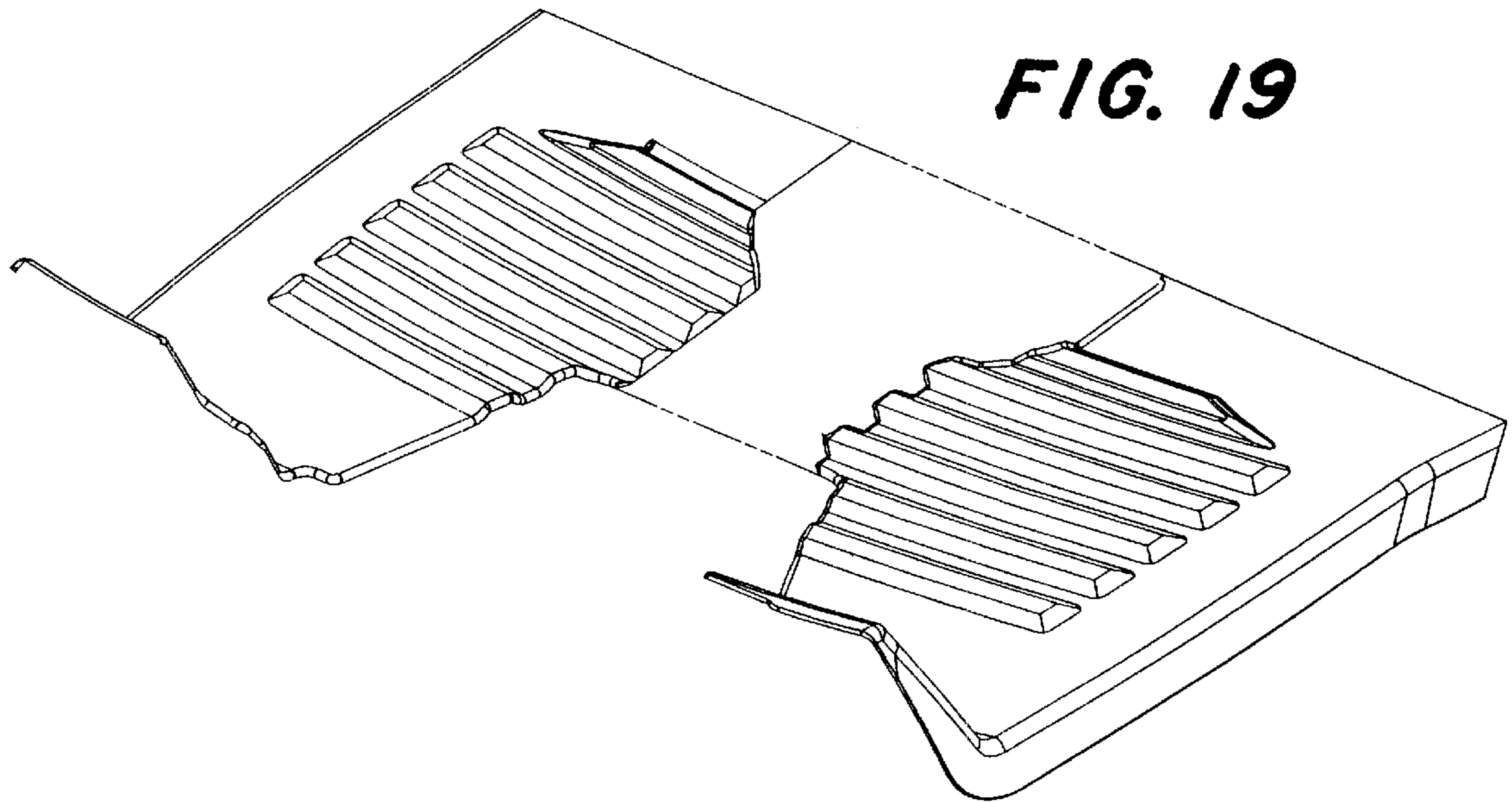


FIG. 18



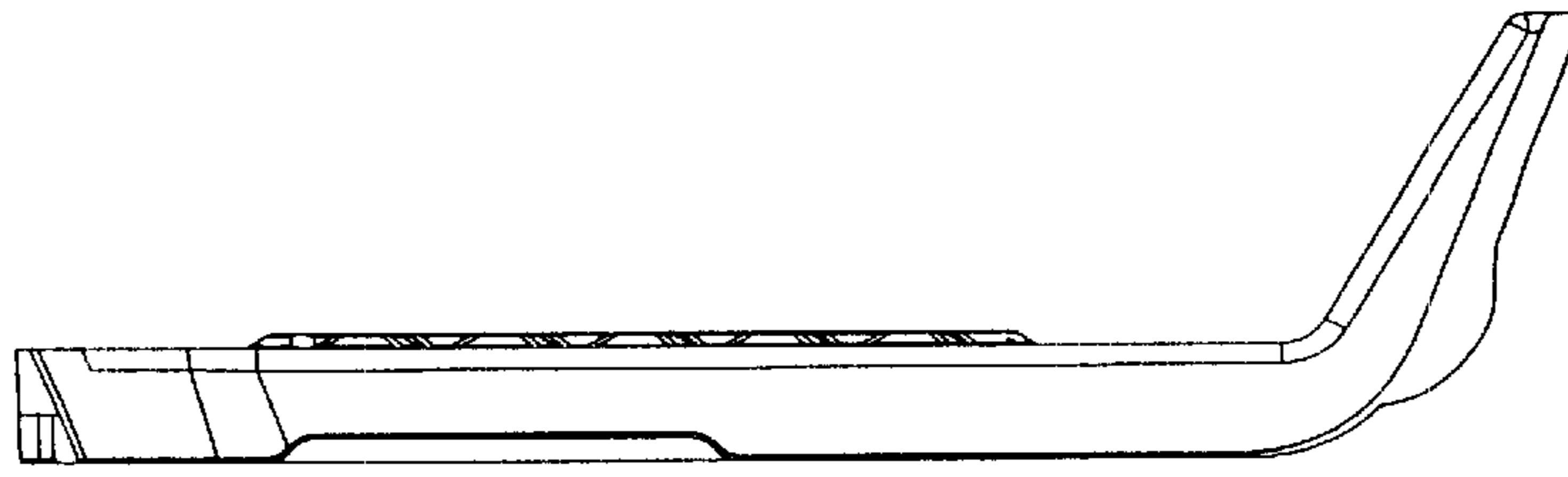


FIG. 21

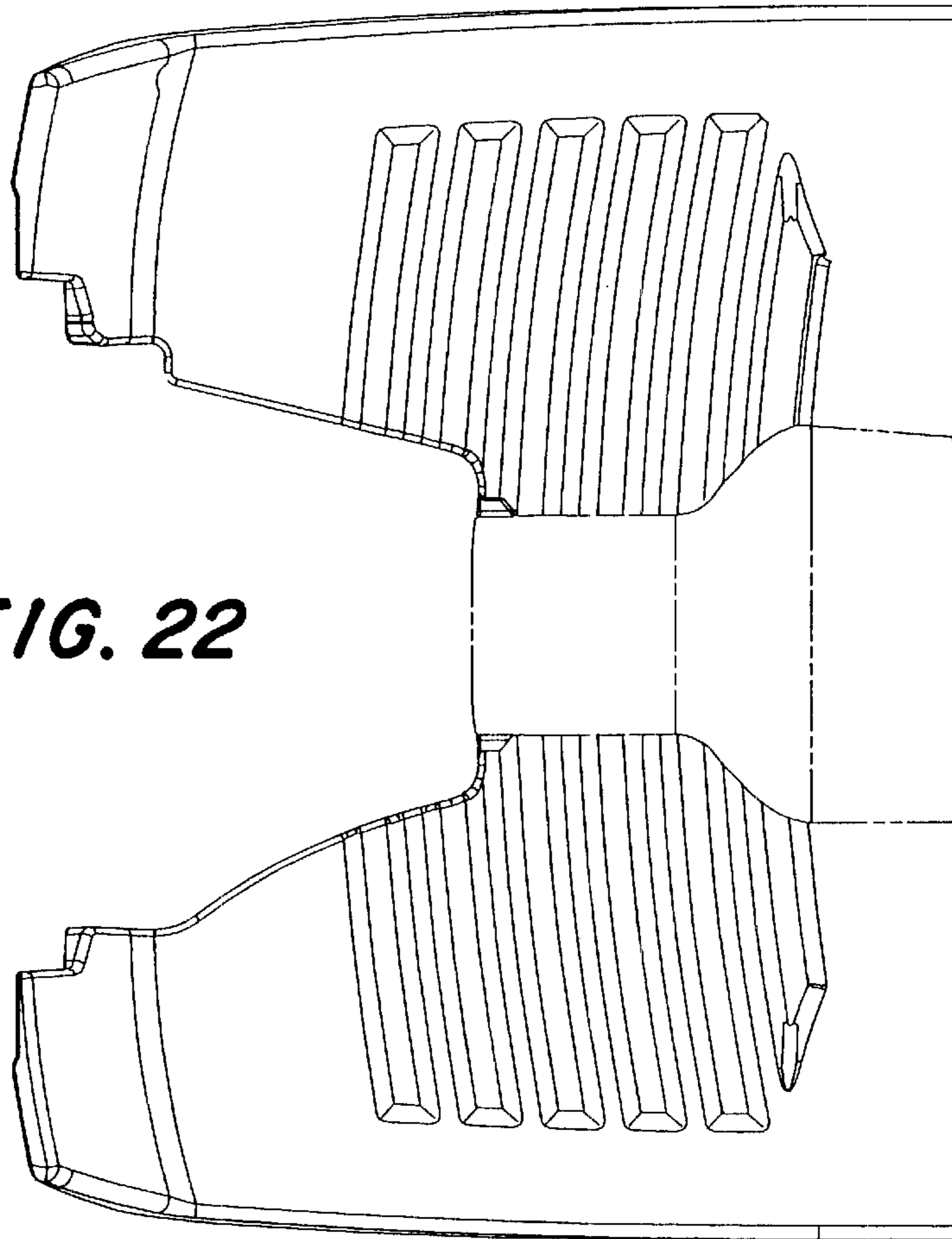


FIG. 22

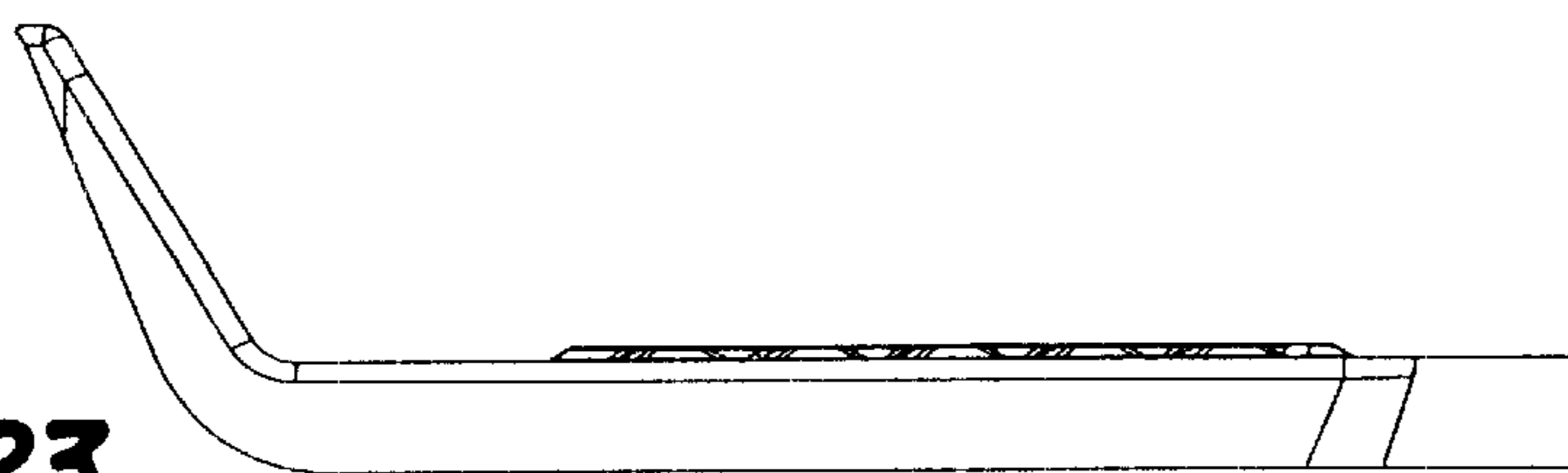


FIG. 23