



US00D484515S

(12) **United States Design Patent**
Nishimura

(10) **Patent No.:** **US D484,515 S**

(45) **Date of Patent:** **** Dec. 30, 2003**

(54) **RUBBER CRAWLER**

(75) Inventor: **Naoki Nishimura**, Chuo-ku (JP)

(73) Assignee: **Bridgestone Corporation**, Tokyo (JP)

(**) Term: **14 Years**

(21) Appl. No.: **29/170,127**

(22) Filed: **Nov. 1, 2002**

(30) **Foreign Application Priority Data**

May 15, 2002 (JP) 2002-012911

(51) **LOC (7) Cl.** **15-03**

(52) **U.S. Cl.** **D15/28**

(58) **Field of Search** D15/28; 152/352,
152/353, 209.12, 171-173, 165, 178; 305/200,
202, 167, 40, 53, 193; 180/89.12, 89.1,
900

(56) **References Cited**

U.S. PATENT DOCUMENTS

3,730,245 A * 5/1973 Kusunoki et al. 152/209.11
D451,523 S * 12/2001 Bonko et al. D15/28
D454,890 S * 3/2002 Tsuru D15/28
D455,444 S * 4/2002 Tsuru D15/28
6,422,666 B2 * 7/2002 Choi 305/178
6,471,307 B2 * 10/2002 Watanabe et al. 305/193

6,474,755 B1 * 11/2002 Pringiers 305/171
6,520,603 B2 * 2/2003 Shimada et al. 305/167
D471,566 S * 3/2003 Feldmann D15/28
D472,905 S * 4/2003 Feldmann D15/28
D474,205 S * 5/2003 Feldmaenn D15/28
6,568,769 B1 * 5/2003 Watanabe et al. 305/171
6,588,862 B1 * 7/2003 Pringiers 305/167

* cited by examiner

Primary Examiner—Mitchell Siegel

(74) *Attorney, Agent, or Firm*—Sughrue Mion, PLLC

(57) **CLAIM**

The ornamental design for a rubber crawler, as shown and described.

DESCRIPTION

FIG. 1 is a front elevational view thereof of a rubber crawler showing my new design;
FIG. 2 is a rear elevational view thereof;
FIG. 3 is a left side elevational view thereof;
FIG. 4 is a right side elevational view thereof;
FIG. 5 is a top plan view thereof;
FIG. 6 is a bottom plan view thereof;
FIG. 7 is a cross sectional view thereof taken along line 7—7 in FIG. 1; and,
FIG. 8 is a cross-sectional view taken along line 8—8 in FIG. 1.

1 Claim, 8 Drawing Sheets

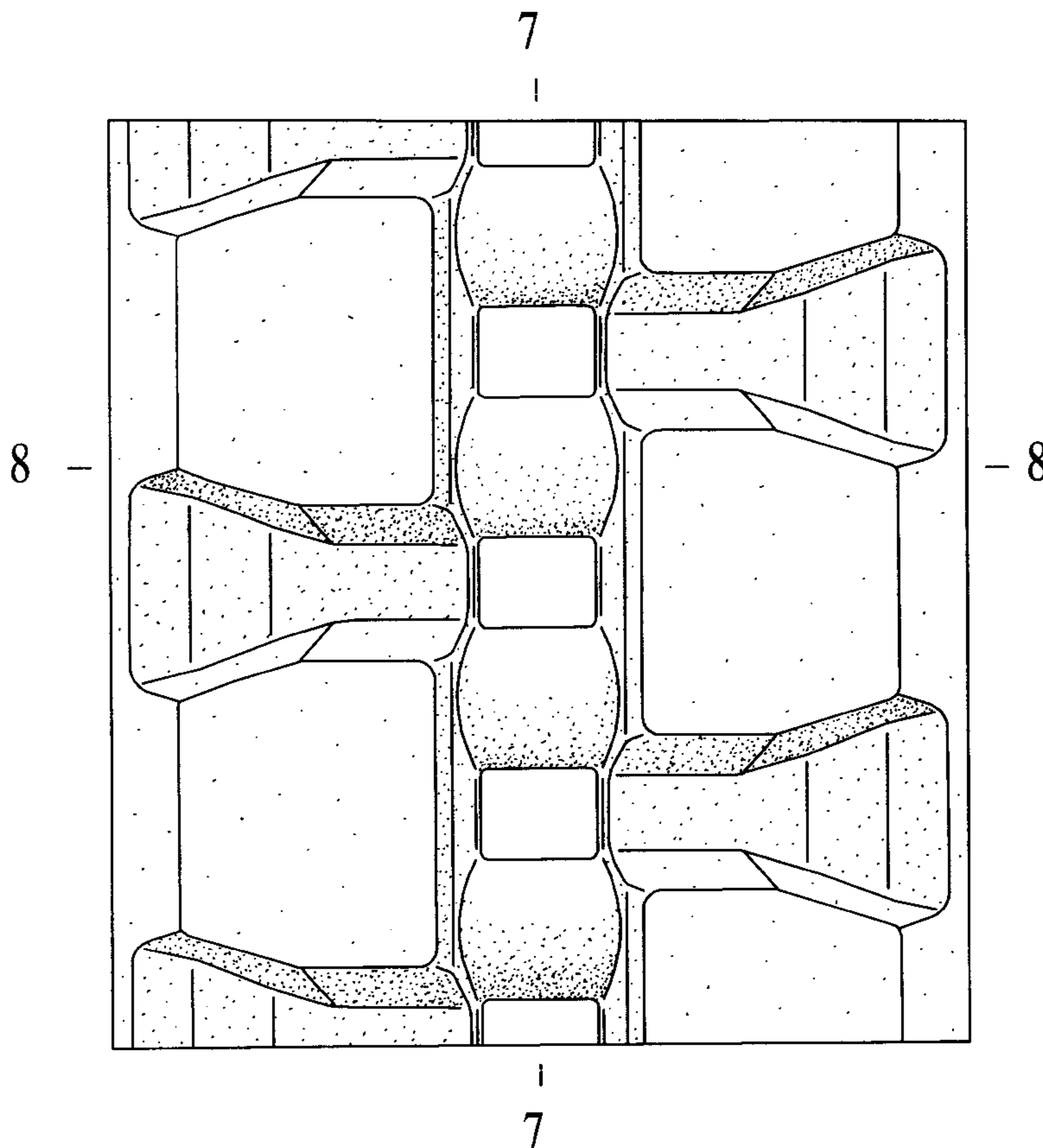


FIG. 1

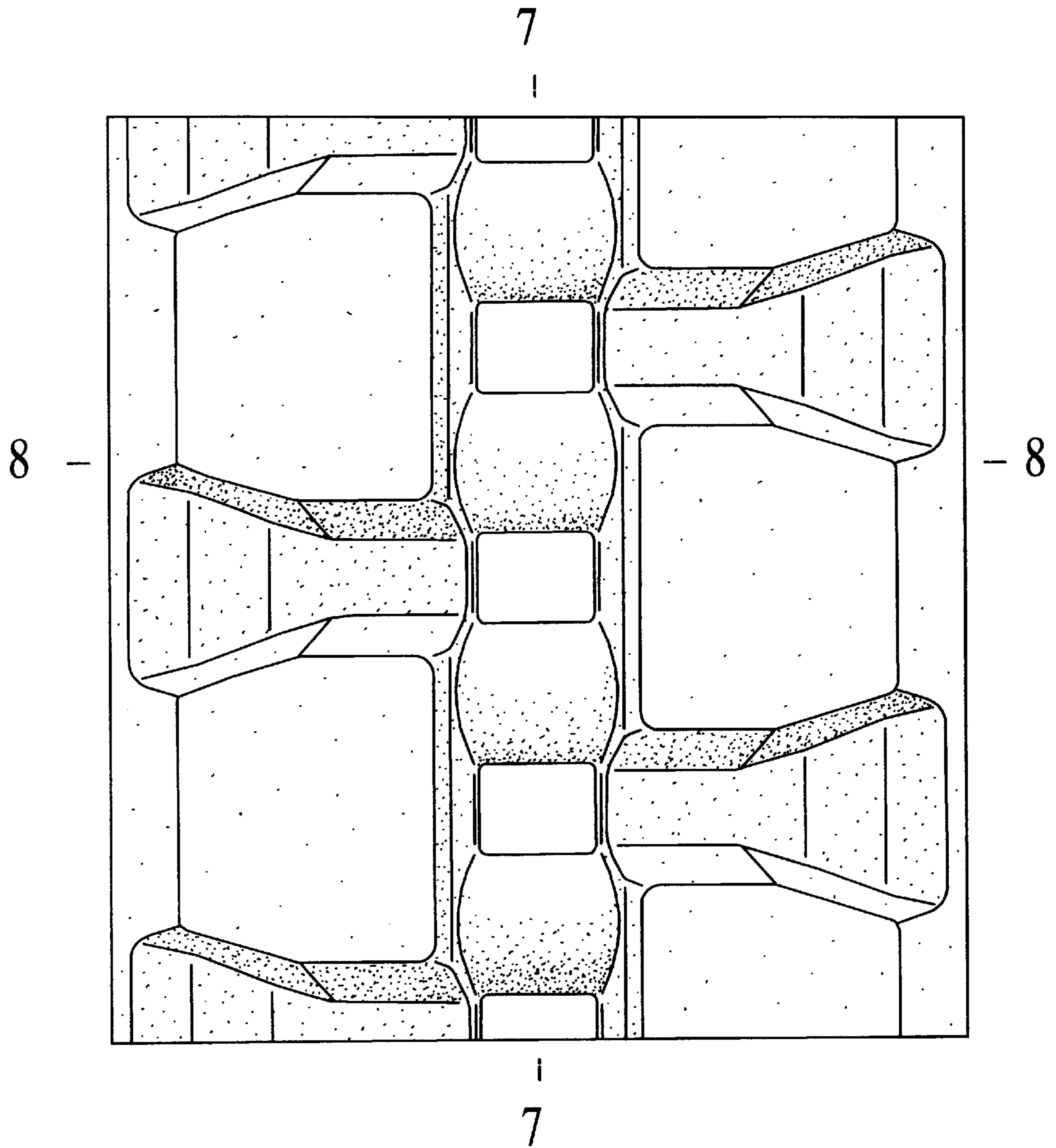


FIG. 2

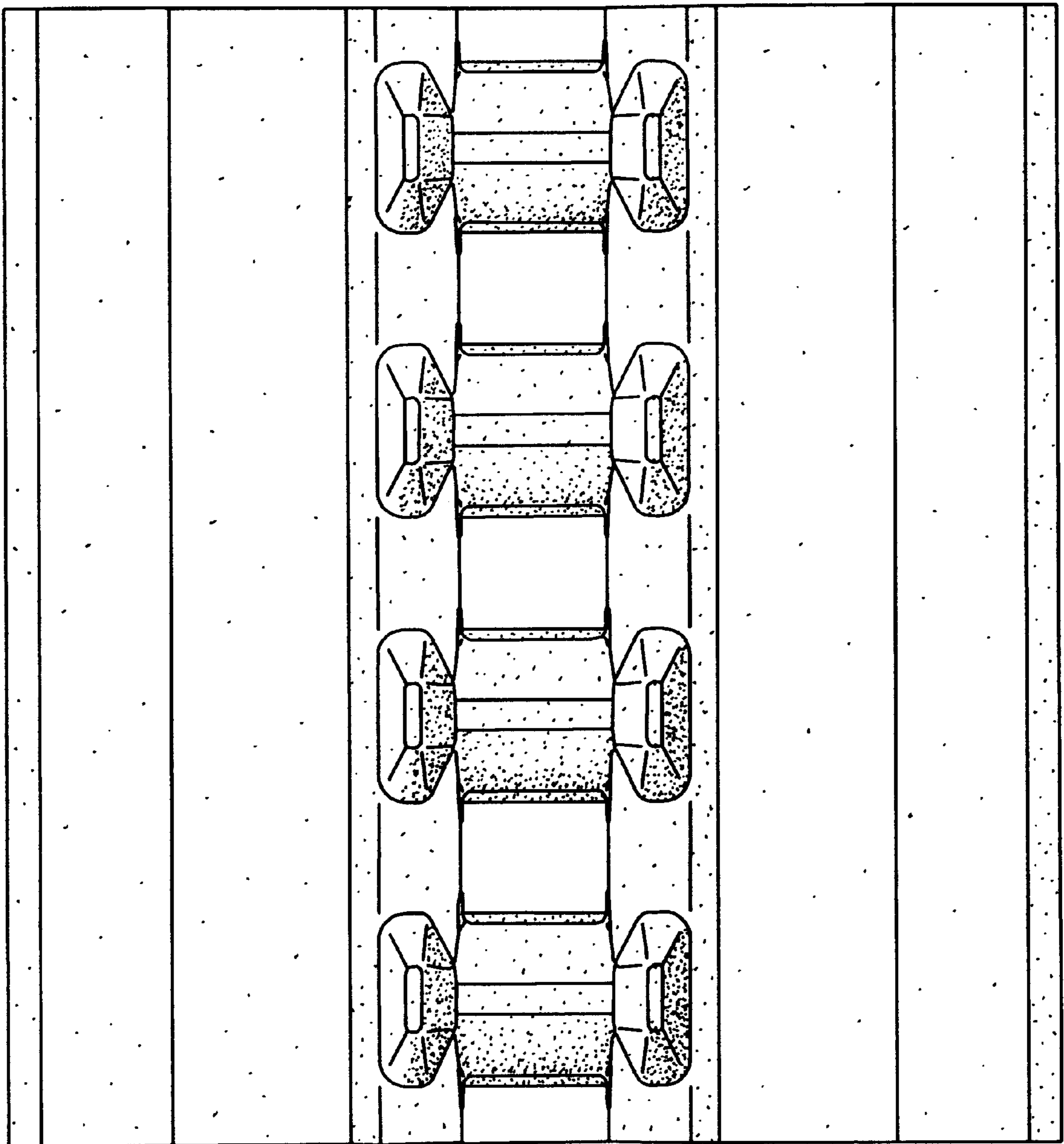


FIG. 3

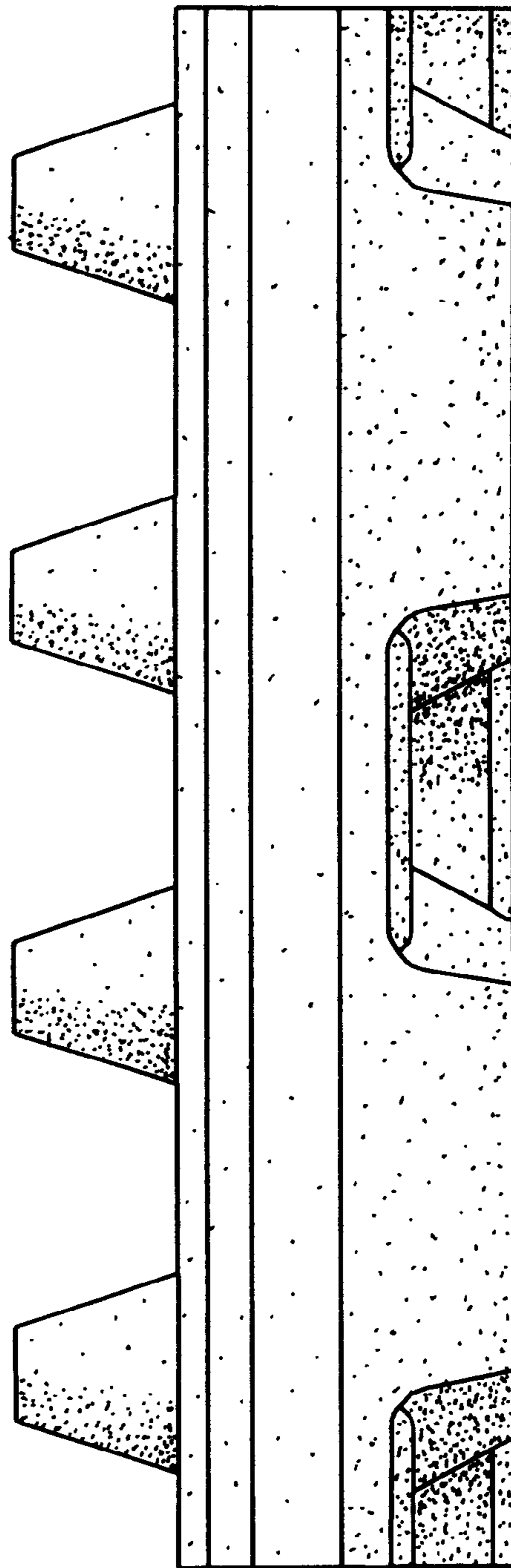


FIG. 4

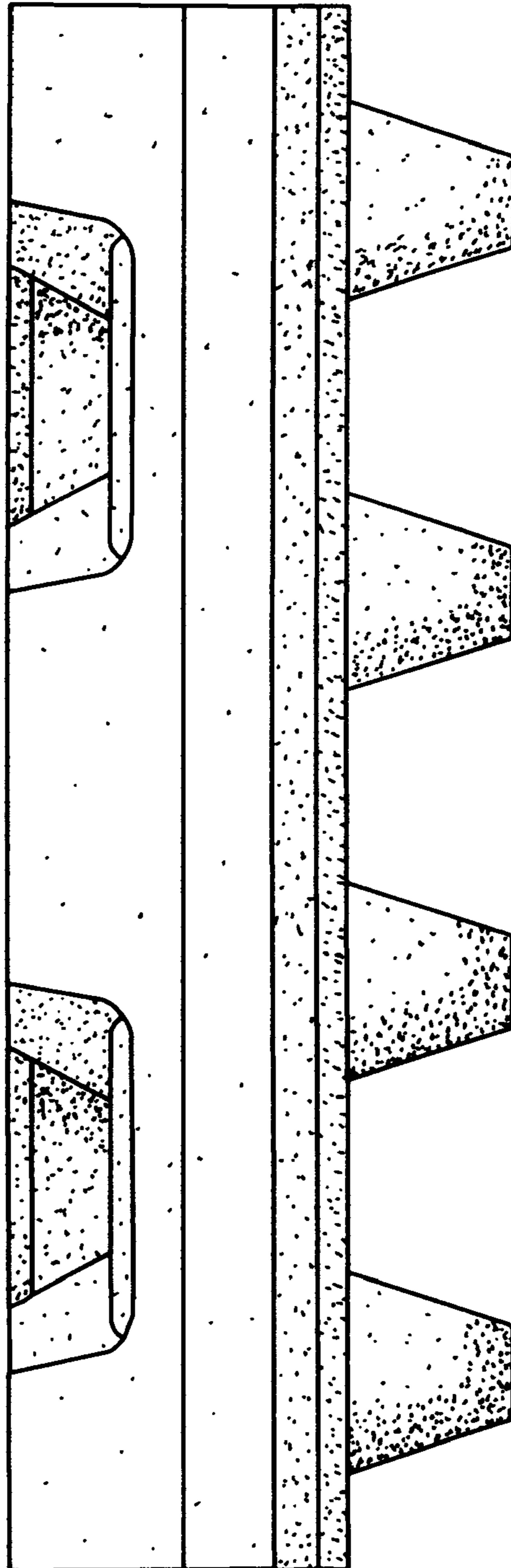


FIG. 5

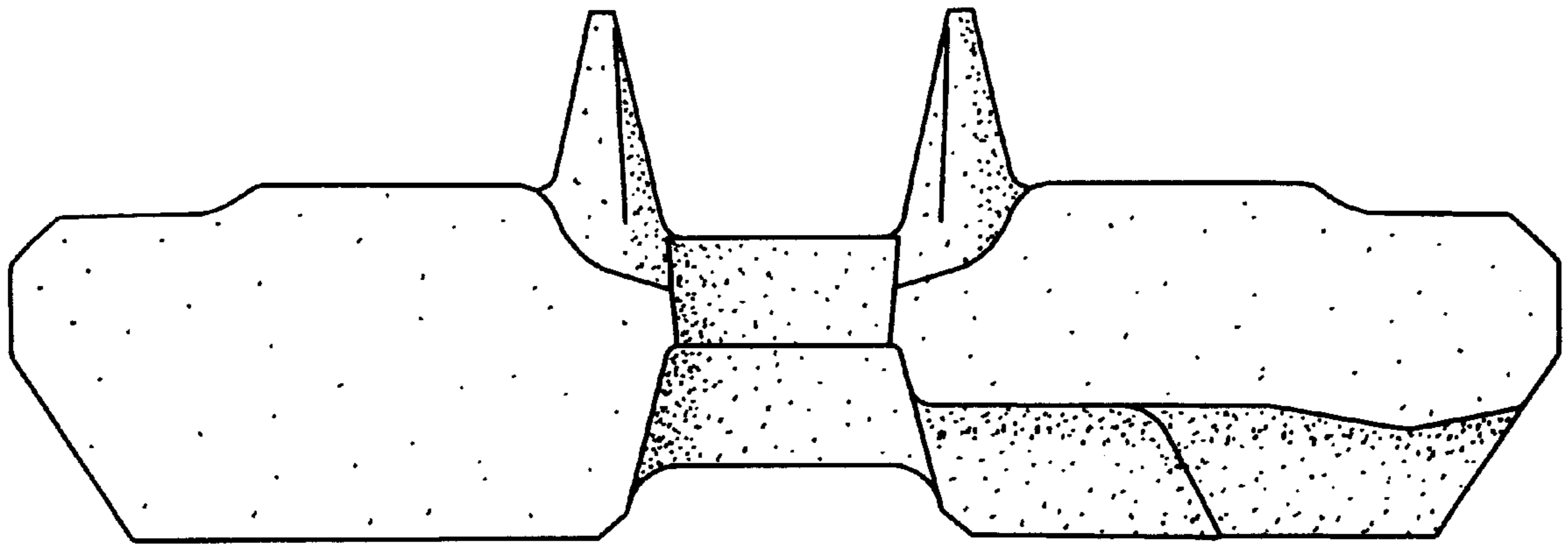


FIG. 6

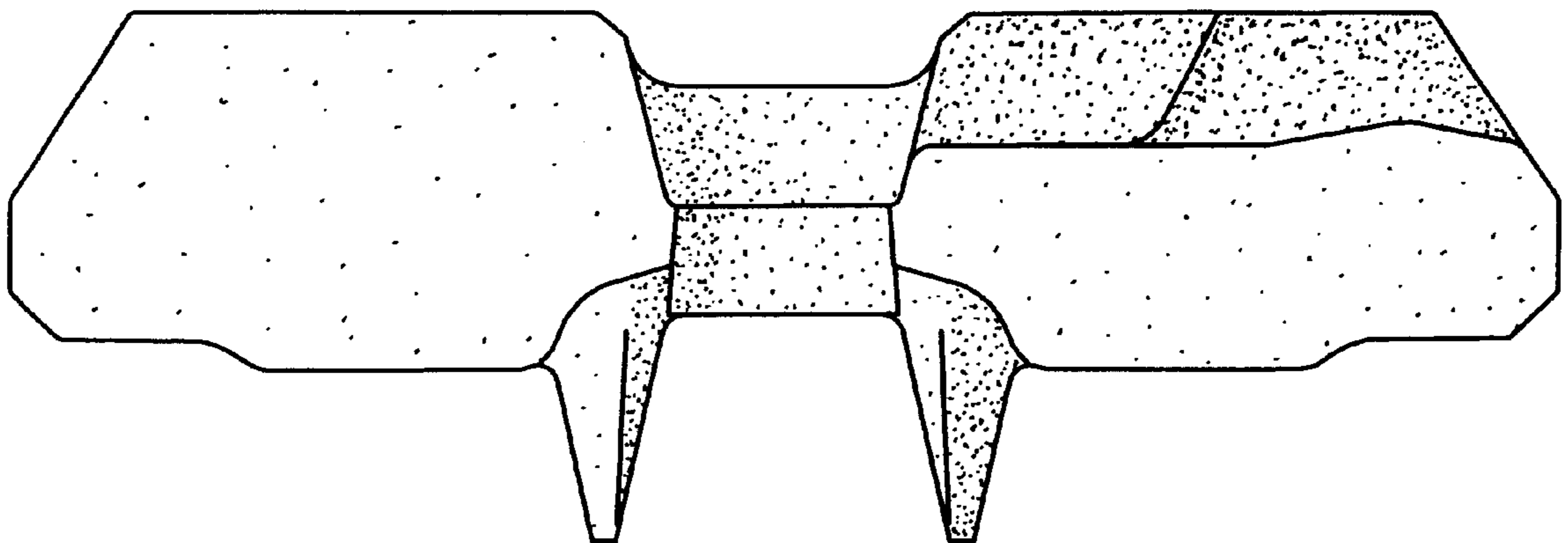


FIG. 7

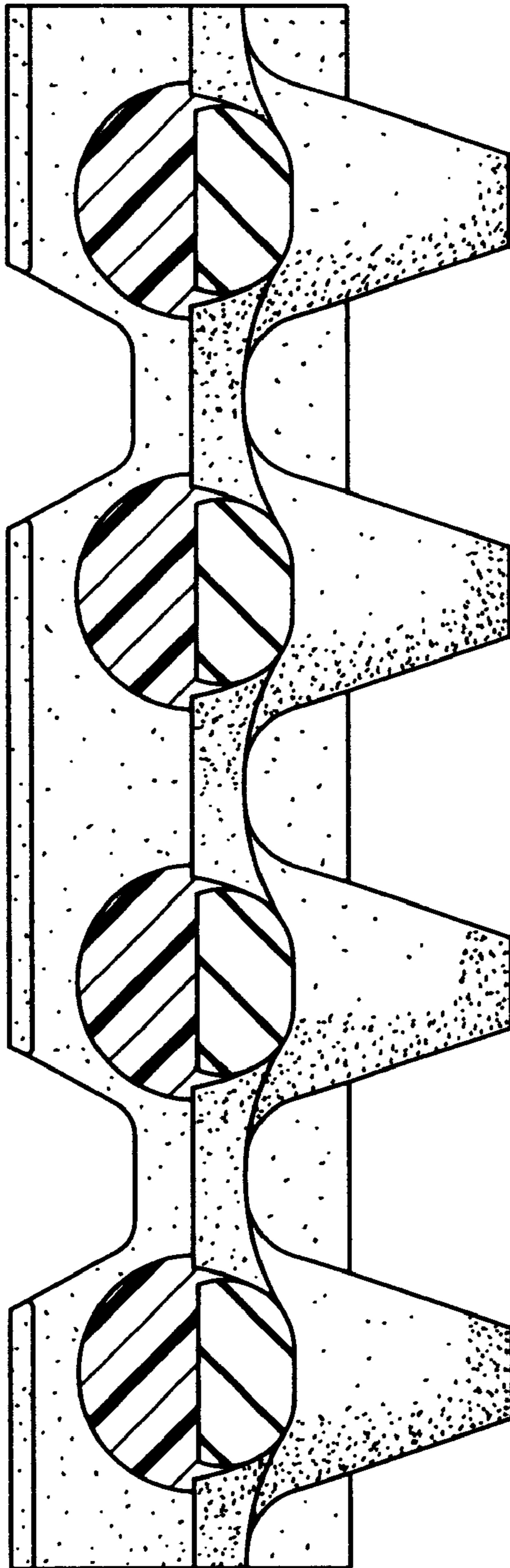


FIG. 8

