



US00D484514S

(12) **United States Design Patent**
Hsiao

(10) **Patent No.:** **US D484,514 S**

(45) **Date of Patent:** **** Dec. 30, 2003**

(54) **SHELL FOR AN AIR COMPRESSOR**

(76) Inventor: **Eming Hsiao**, No. 427, Sec. 2,
Doou-Chung Rd., Tien-Chung,
Chang-Hwa (TW)

(**) Term: **14 Years**

(21) Appl. No.: **29/174,191**

(22) Filed: **Jan. 14, 2003**

(51) **LOC (7) Cl.** **15-02**

(52) **U.S. Cl.** **D15/9**

(58) **Field of Search** D15/7-9.1; D23/259,
D23/260; 417/231, 233, 234; 248/646

(56) **References Cited**

U.S. PATENT DOCUMENTS

D293,585 S	*	1/1988	Morgan	D15/9
D303,394 S	*	9/1989	Mariol	D15/9
D352,293 S	*	11/1994	Morgan	D15/9
D376,370 S	*	12/1996	Davis et al.	D15/7

D444,798 S	*	7/2001	Morgan	D15/9
D446,793 S	*	8/2001	Matthew et al.	D15/9
D455,761 S	*	4/2002	Graber et al.	D15/9

* cited by examiner

Primary Examiner—Ralf Seifert

(74) *Attorney, Agent, or Firm*—Rosenberg, Klein & Lee

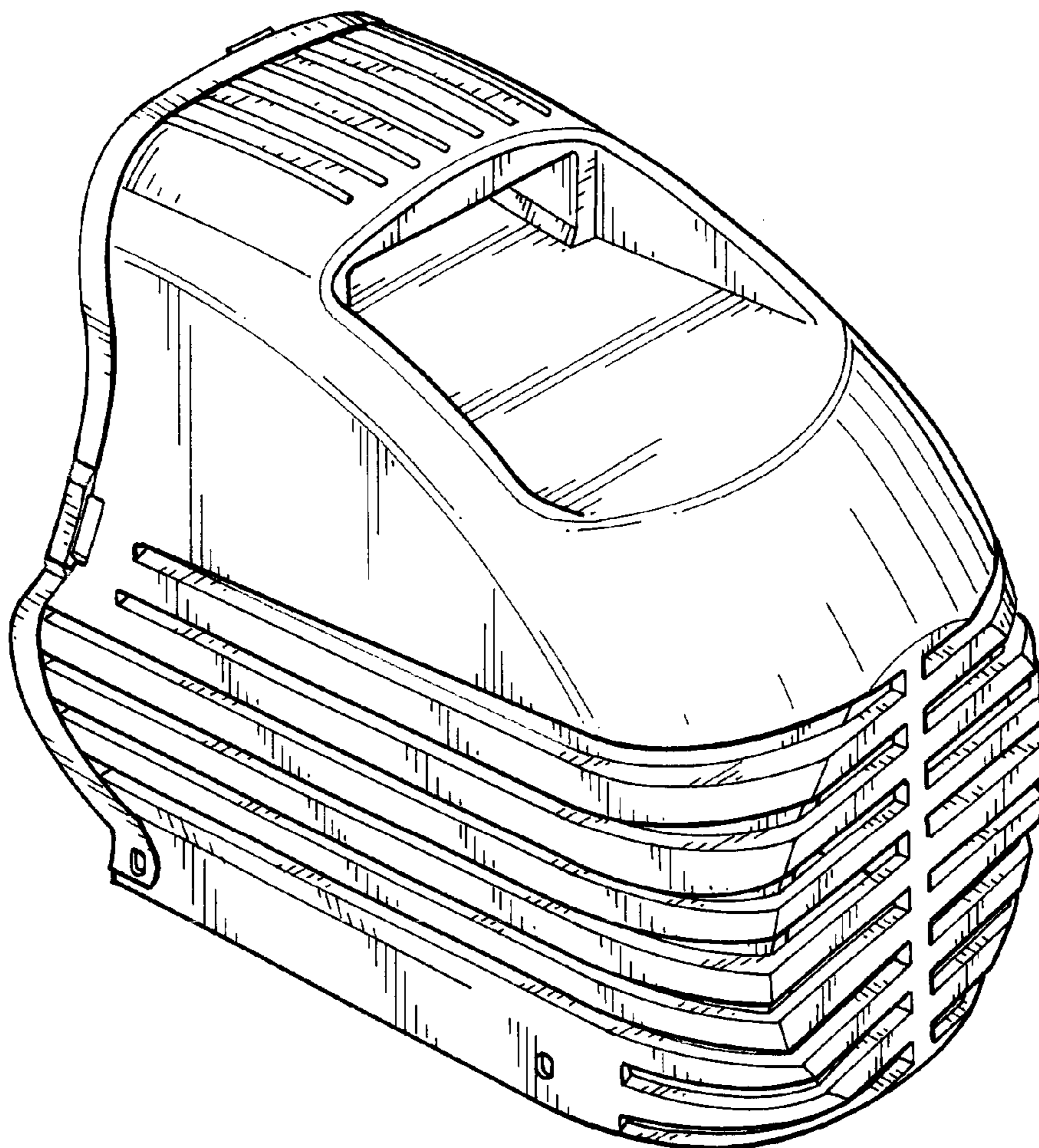
(57) **CLAIM**

The ornamental design for a shell for an air compressor, as shown.

DESCRIPTION

FIG. 1 is a perspective view of a shell for an air compressor, showing my new design;
FIG. 2 is a front elevational view thereof;
FIG. 3 is a rear elevational view thereof;
FIG. 4 is a left side elevational view thereof;
FIG. 5 is a right side elevational view thereof;
FIG. 6 is a top plan view thereof; and,
FIG. 7 is a bottom plan view thereof.

1 Claim, 6 Drawing Sheets



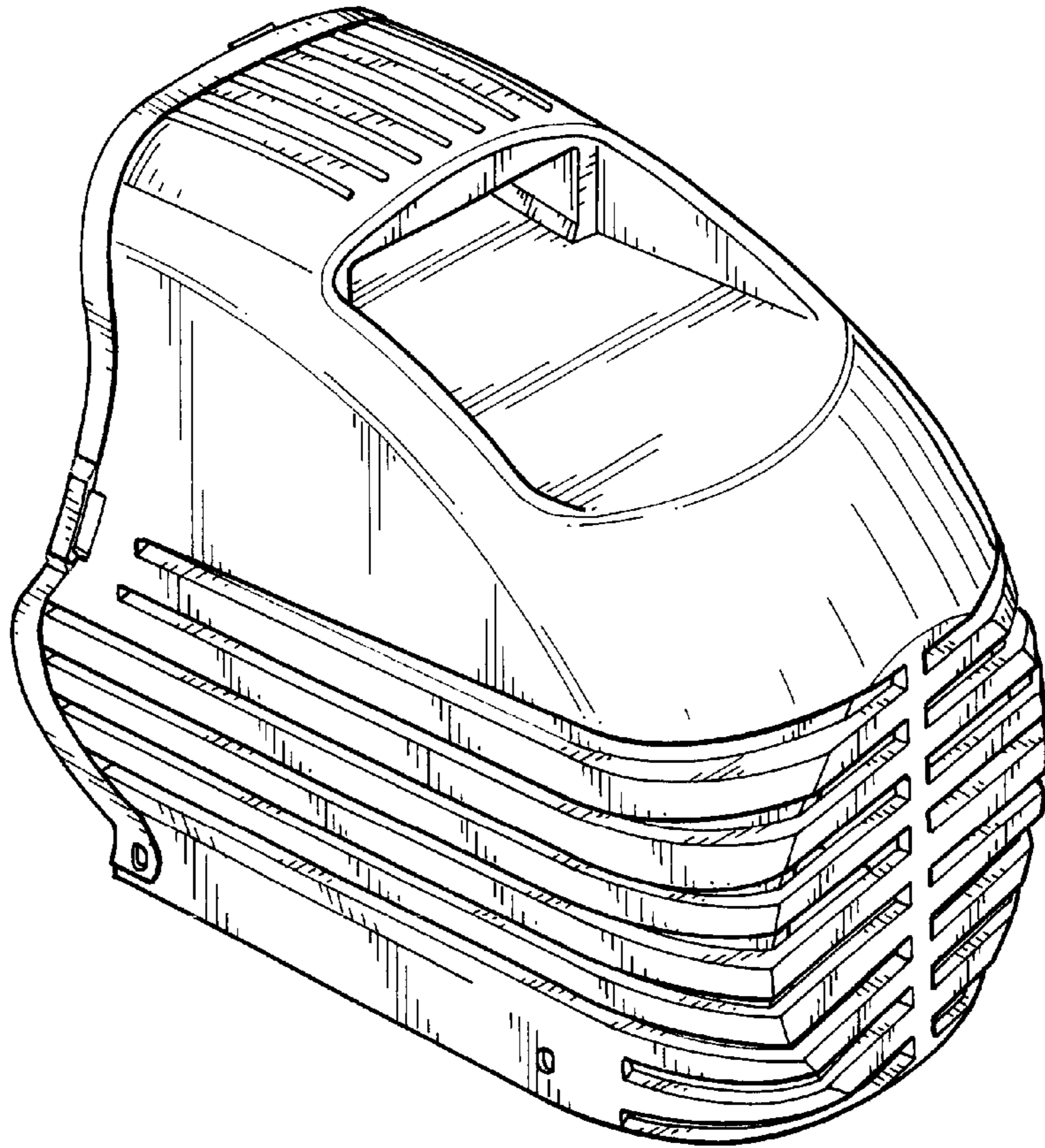


FIG. 1

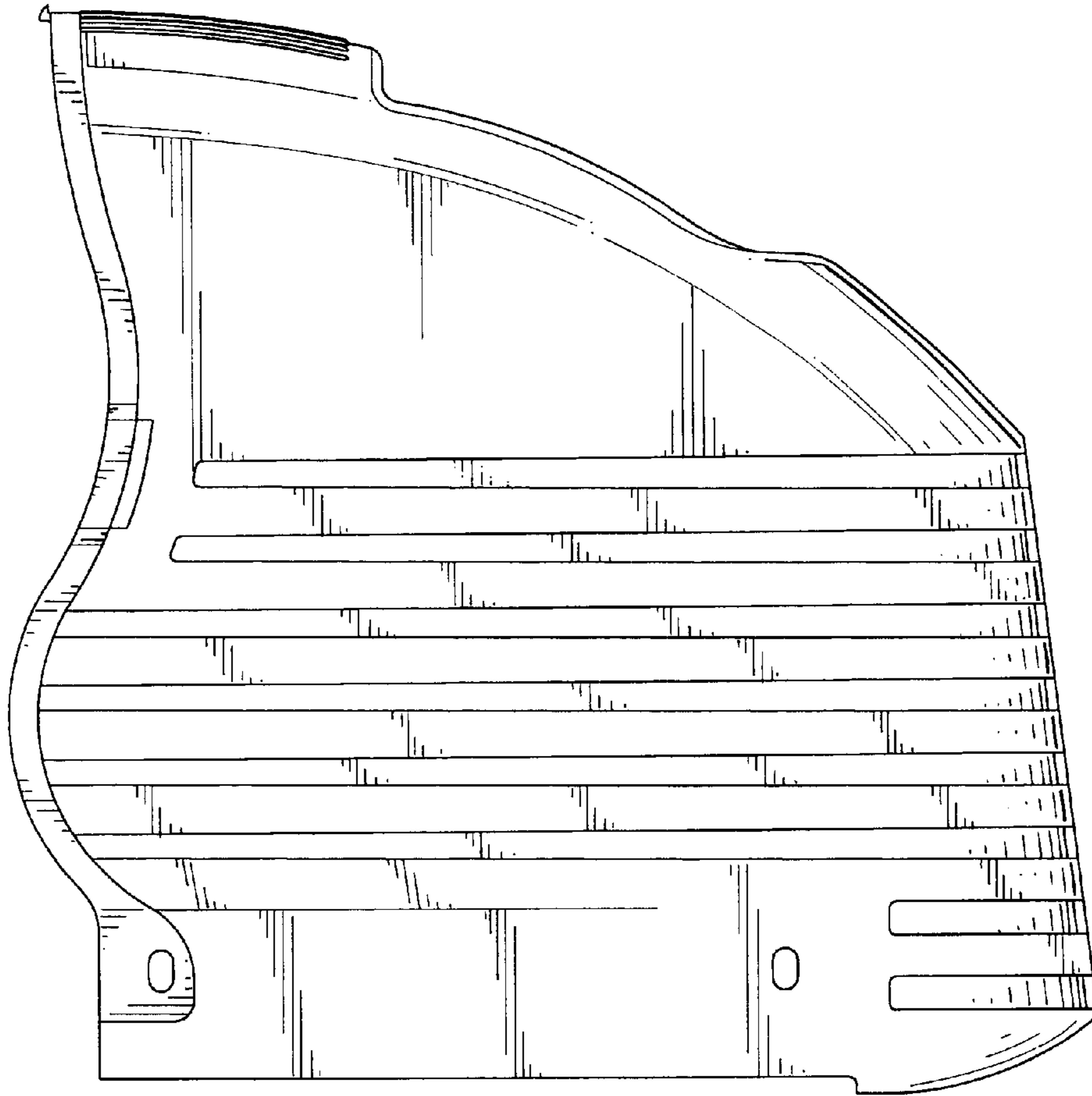


FIG. 2

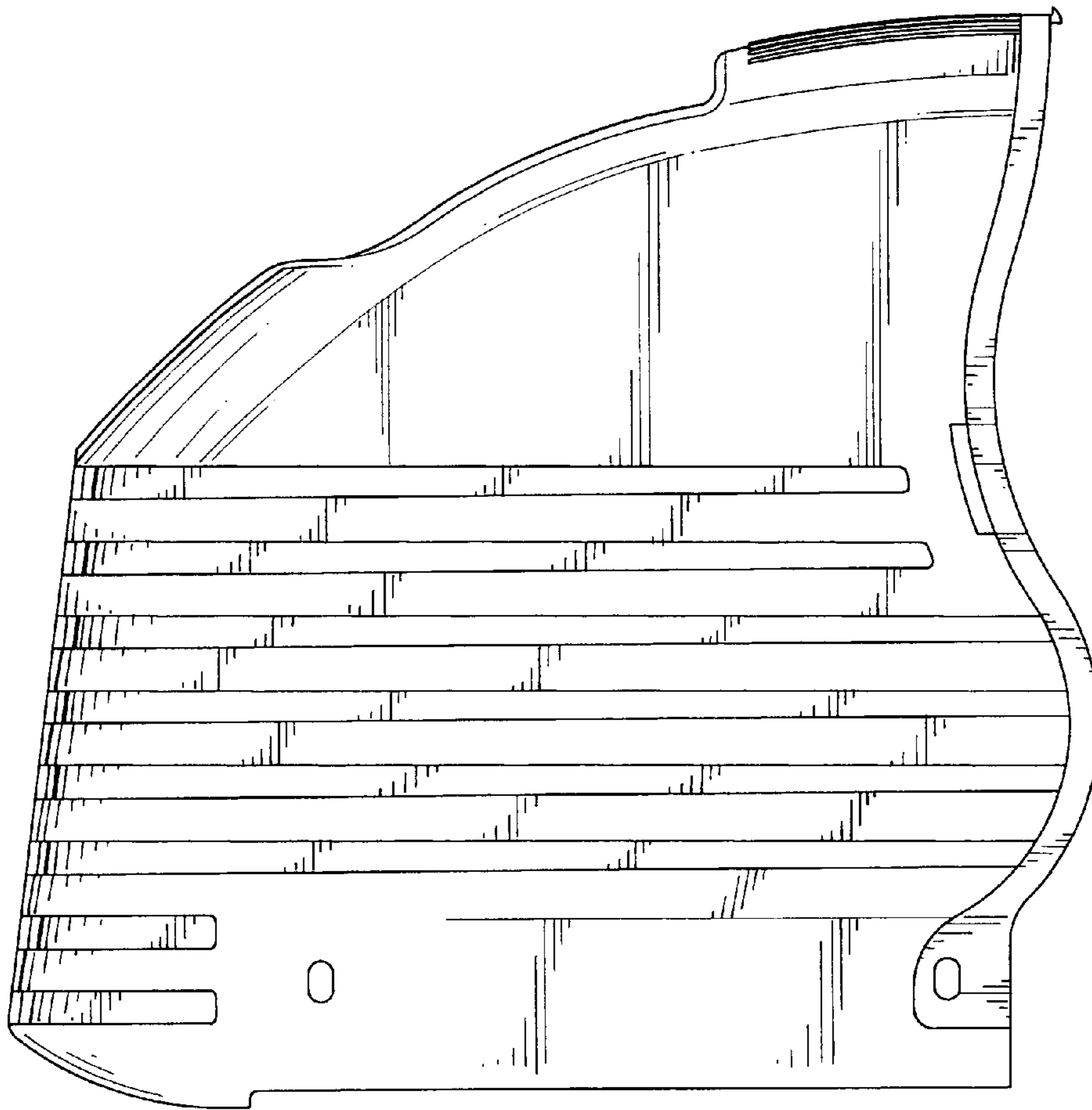


FIG. 3

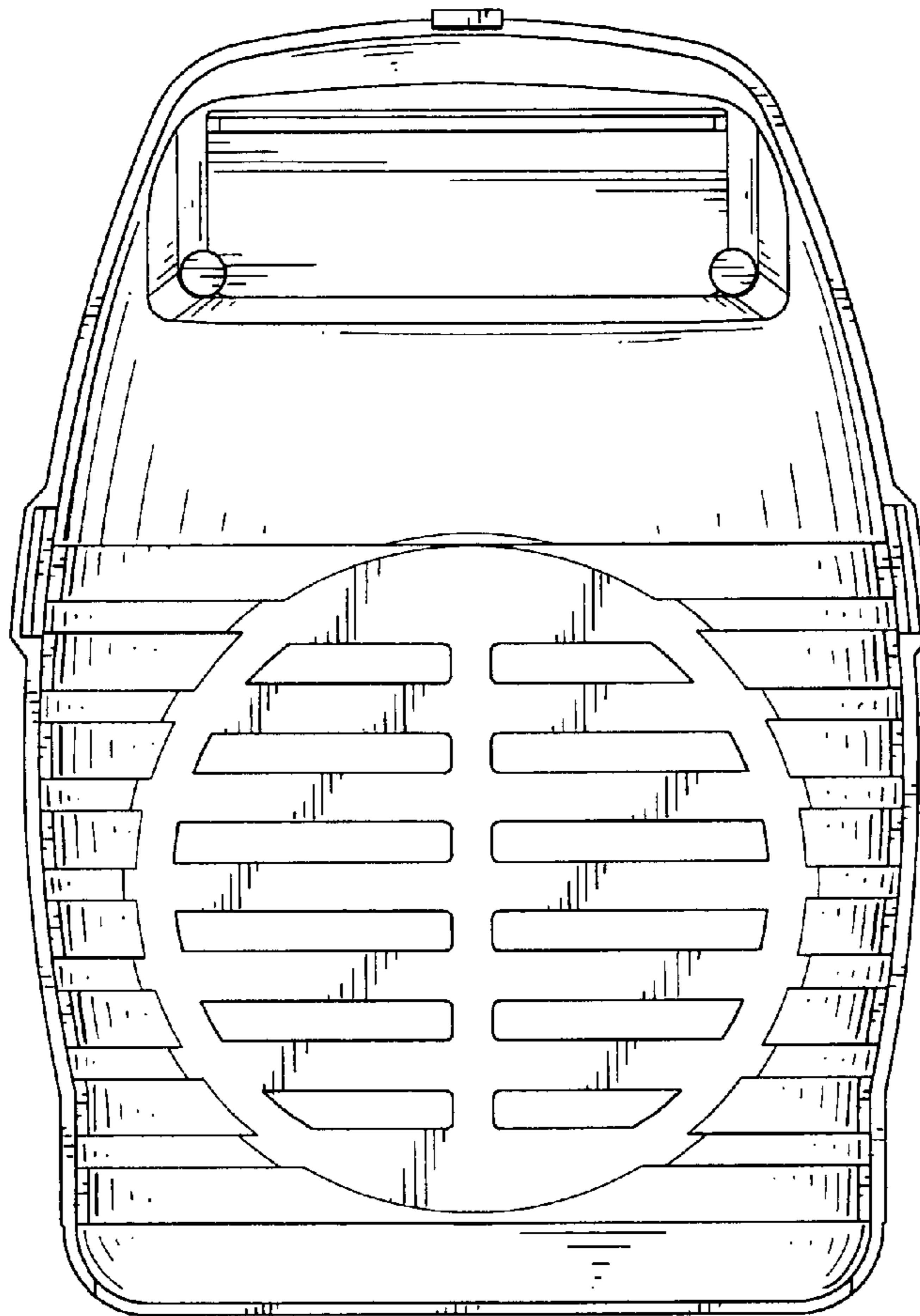


FIG. 4

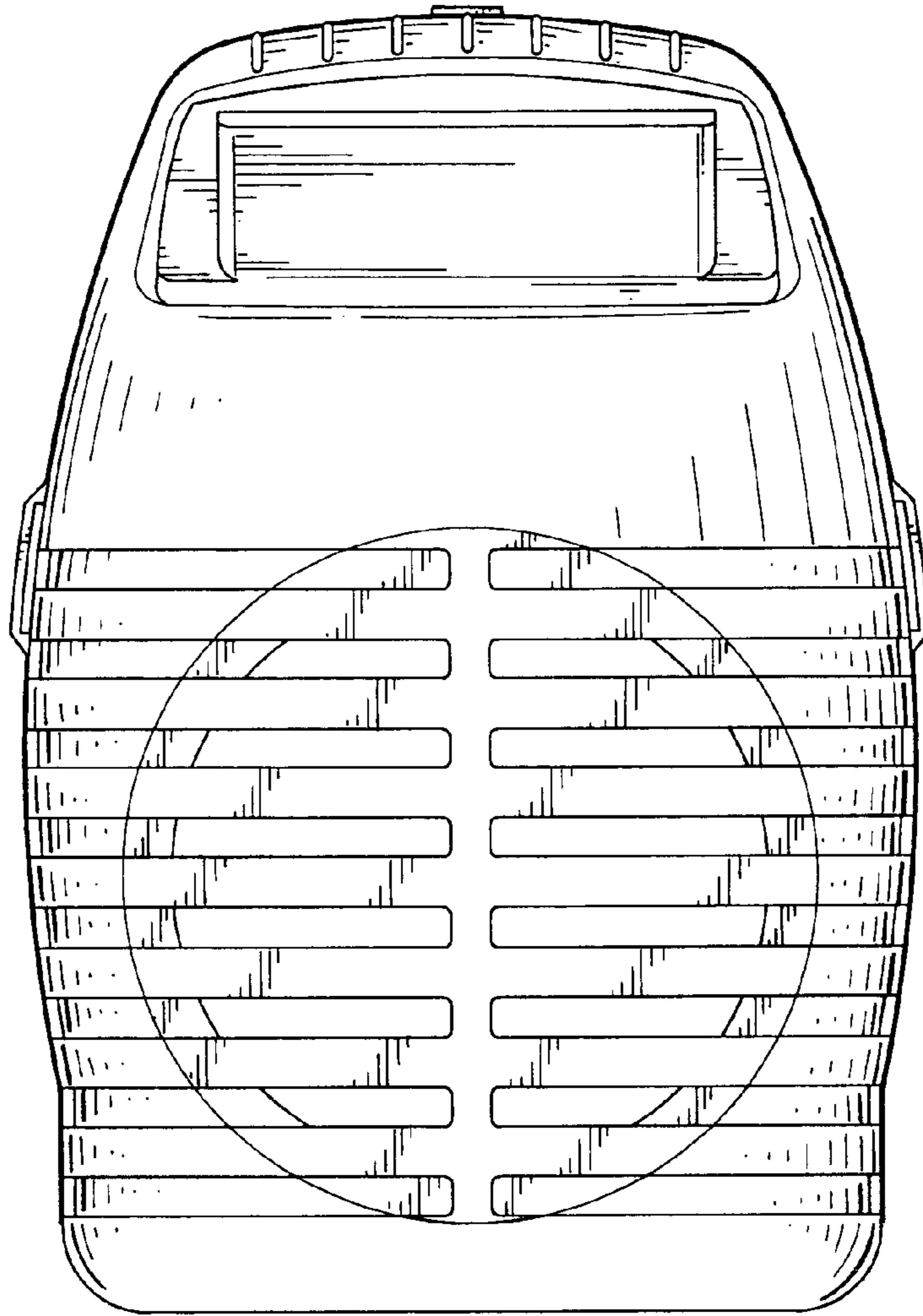


FIG. 5

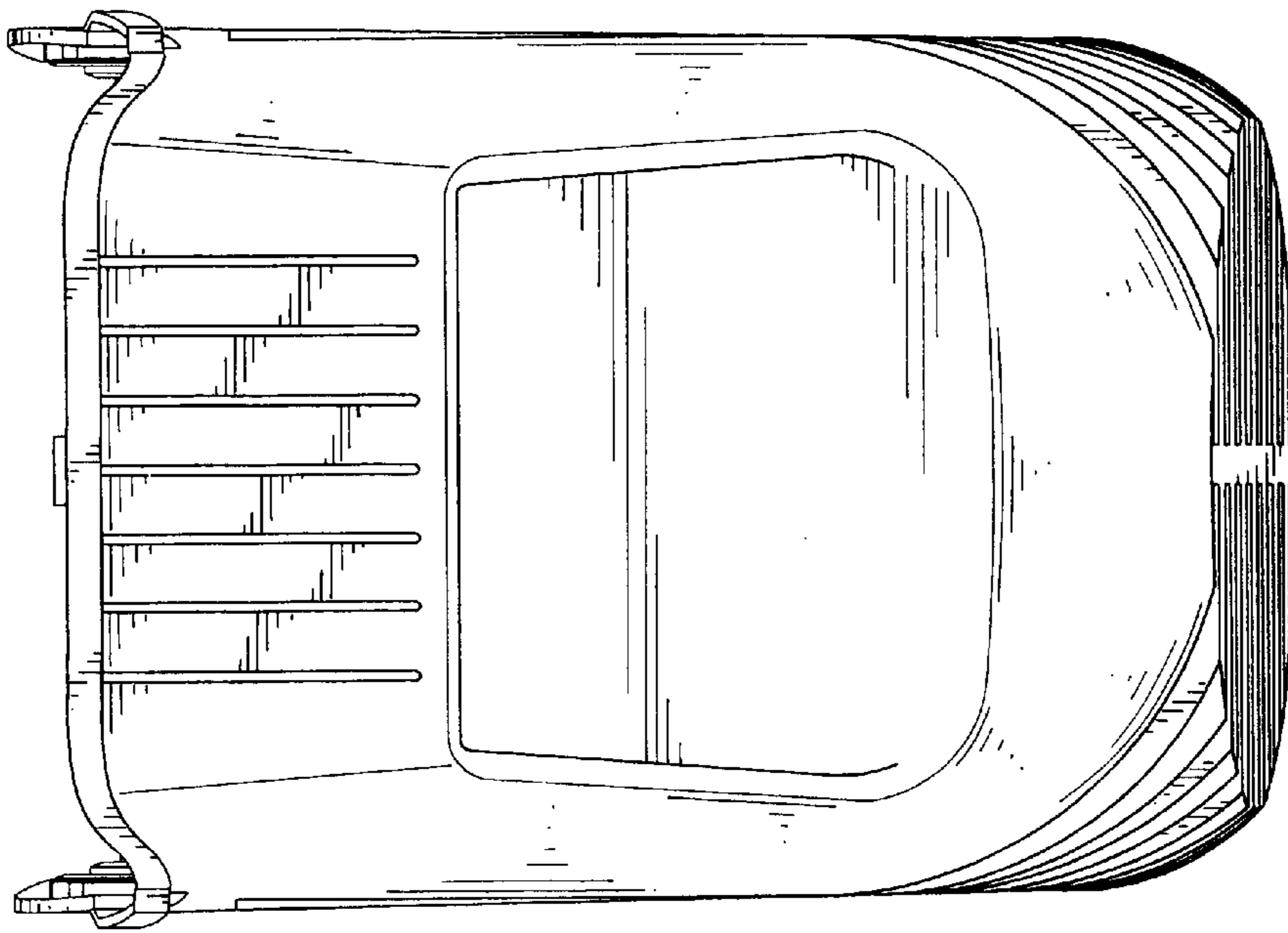


FIG. 6

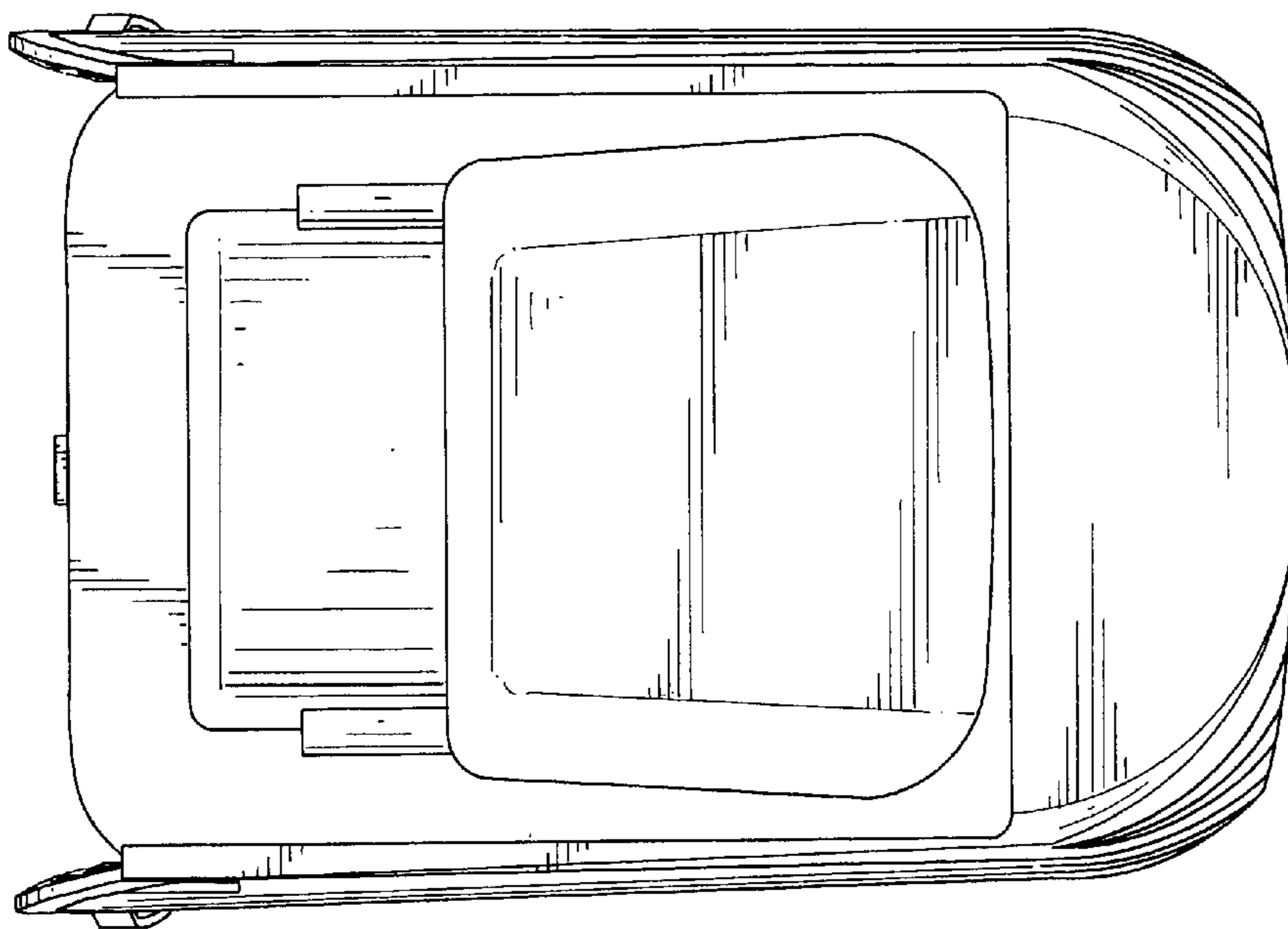


FIG. 7