



US00D484513S

(12) **United States Design Patent**
Grudynski, III

(10) **Patent No.:** **US D484,513 S**

(45) **Date of Patent:** **** Dec. 30, 2003**

(54) **EXHAUST MANIFOLD**

6,332,314 B1 * 12/2001 Nakade et al. 60/299
6,487,854 B2 * 12/2002 Maus 60/324

(76) Inventor: **John M. Grudynski, III**, 44 Creek
View Rd., Coto de Caza, CA (US)
92679

* cited by examiner

(**) Term: **14 Years**

Primary Examiner—Melody N. Brown
(74) *Attorney, Agent, or Firm*—Kelly Bauersfeld Lowry &
Kelley, LLP

(21) Appl. No.: **29/178,828**

(57) **CLAIM**

(22) Filed: **Mar. 31, 2003**

The ornamental design for an exhaust manifold, as shown
and described.

(51) **LOC (7) Cl.** **15-01**

(52) **U.S. Cl.** **D15/5**

(58) **Field of Search** D15/1-5; 123/52 M,
123/41.73, 41.7, 184.34, 184.36; 60/299-324

DESCRIPTION

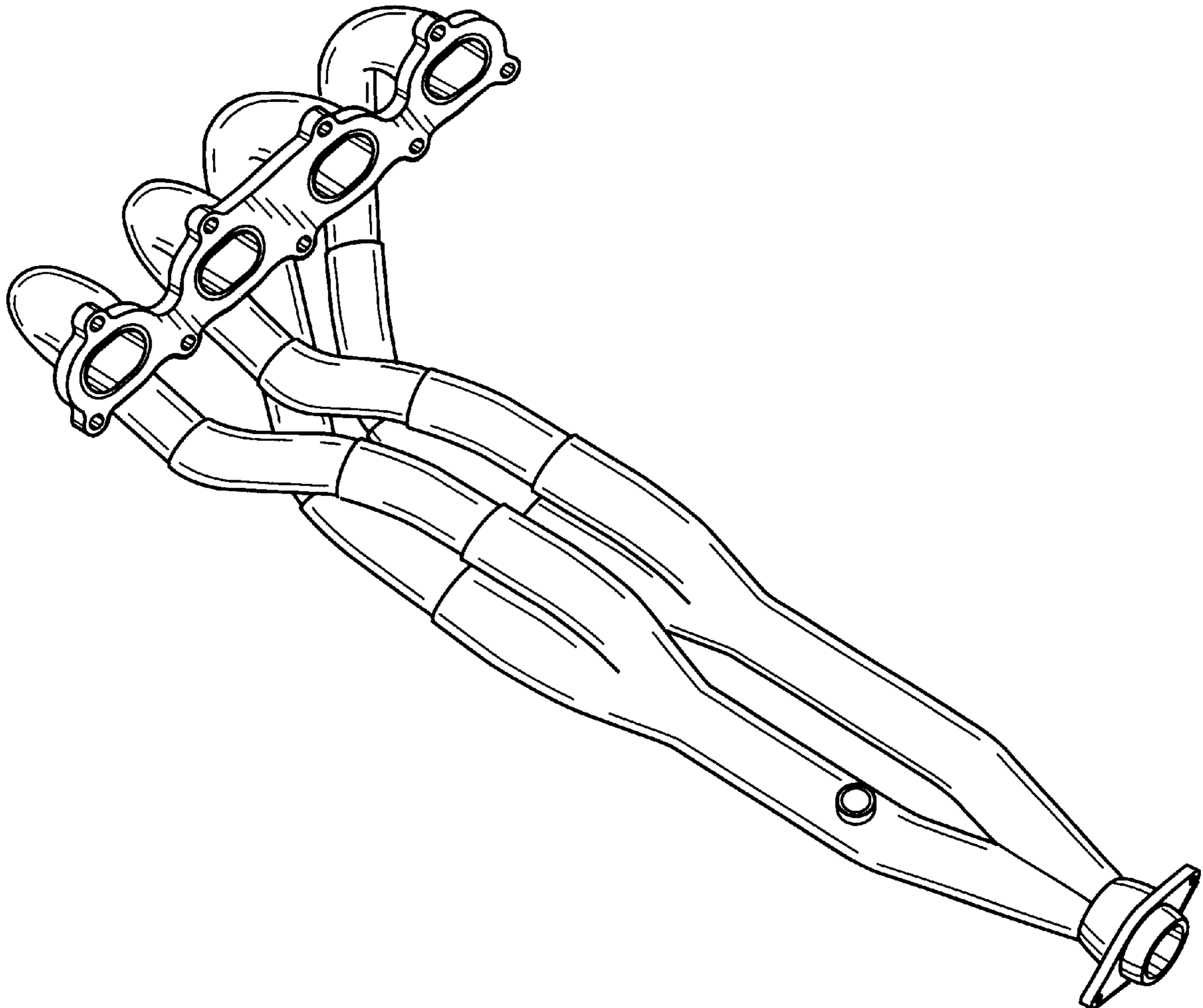
(56) **References Cited**

U.S. PATENT DOCUMENTS

- D376,602 S * 12/1996 Yamanaka et al. D15/5
- D399,467 S * 10/1998 Erion et al. D15/5 X
- D405,095 S * 2/1999 Wada D15/5
- D406,593 S * 3/1999 Bittle D15/5
- D444,479 S * 7/2001 Pace D15/5

FIG. 1 is a front, top and right side perspective view of an
exhaust manifold embodying my design;
FIG. 2 is a front elevational view thereof;
FIG. 3 is a rear elevational view thereof;
FIG. 4 is a left side elevational view thereof;
FIG. 5 is a right side elevational view thereof;
FIG. 6 is top plan view thereof; and,
FIG. 7 is a bottom plan view thereof.

1 Claim, 3 Drawing Sheets



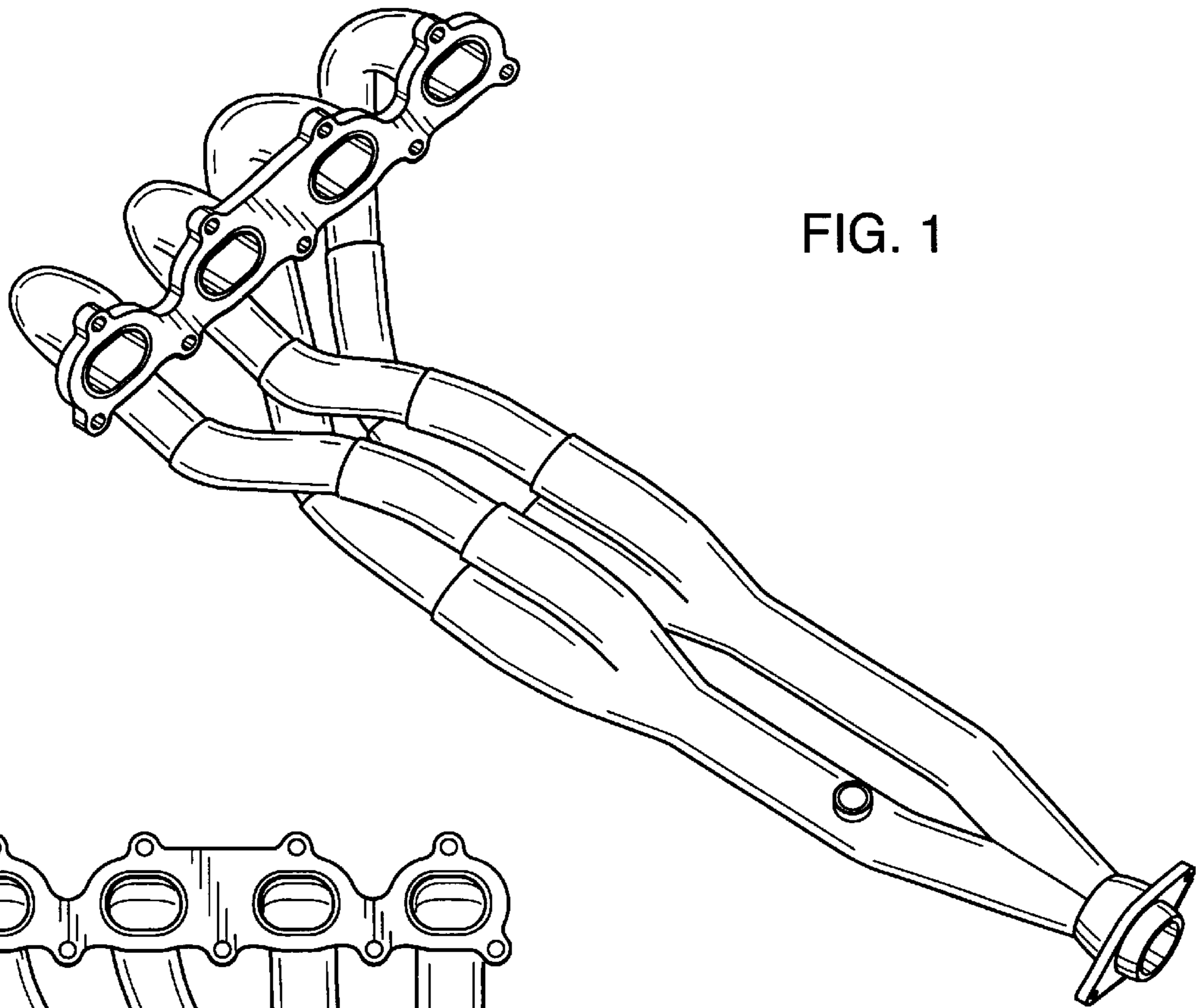


FIG. 1

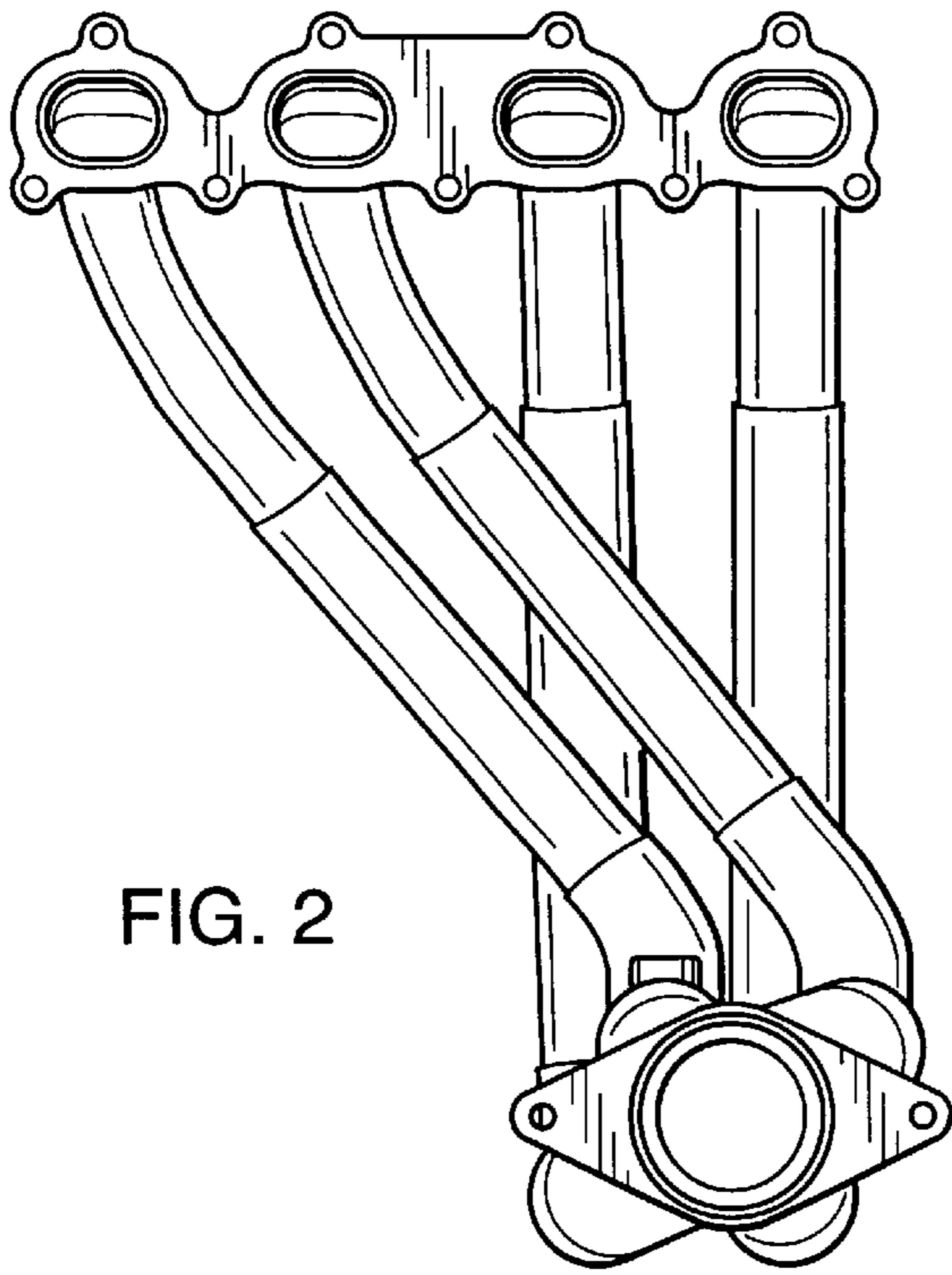


FIG. 2

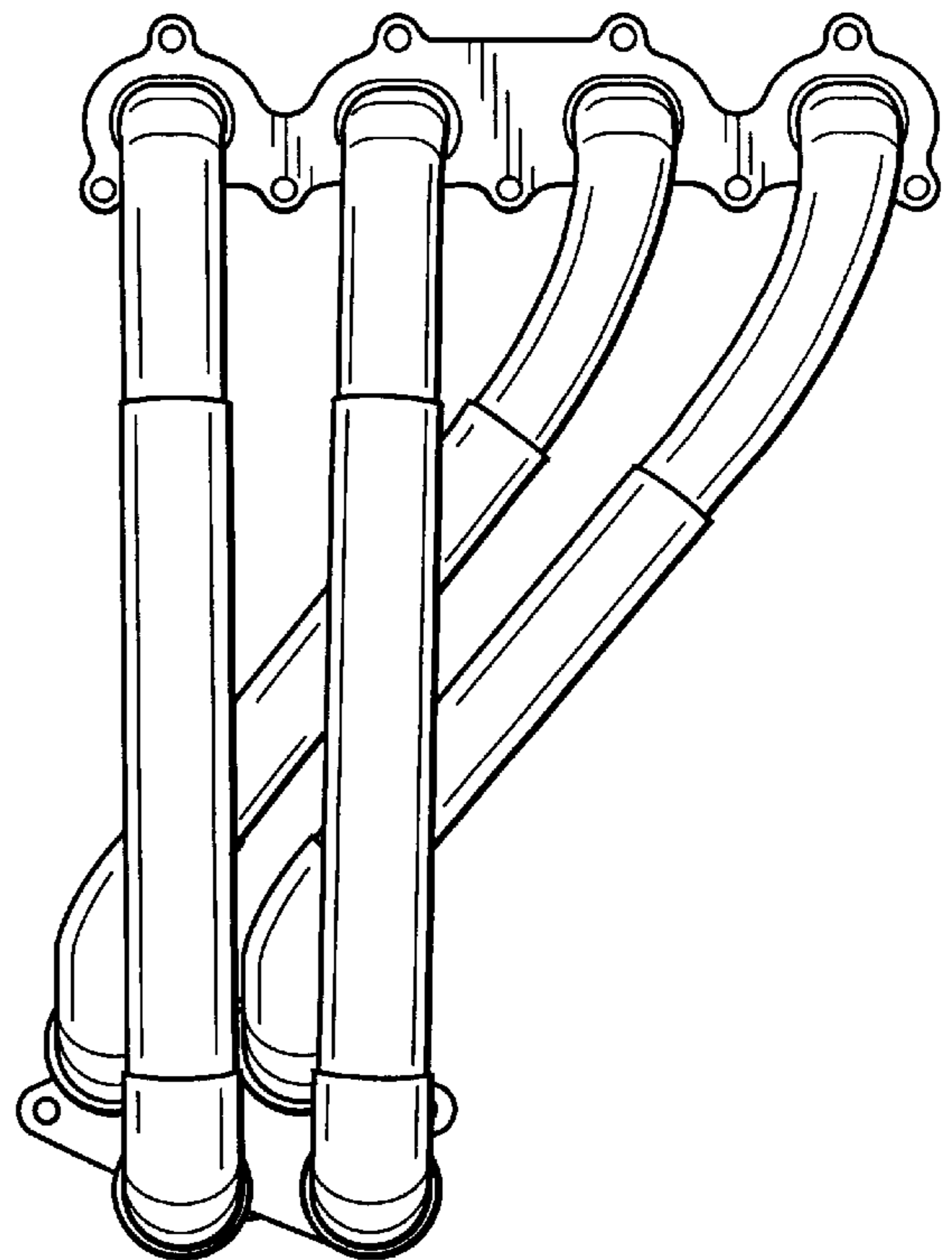


FIG. 3

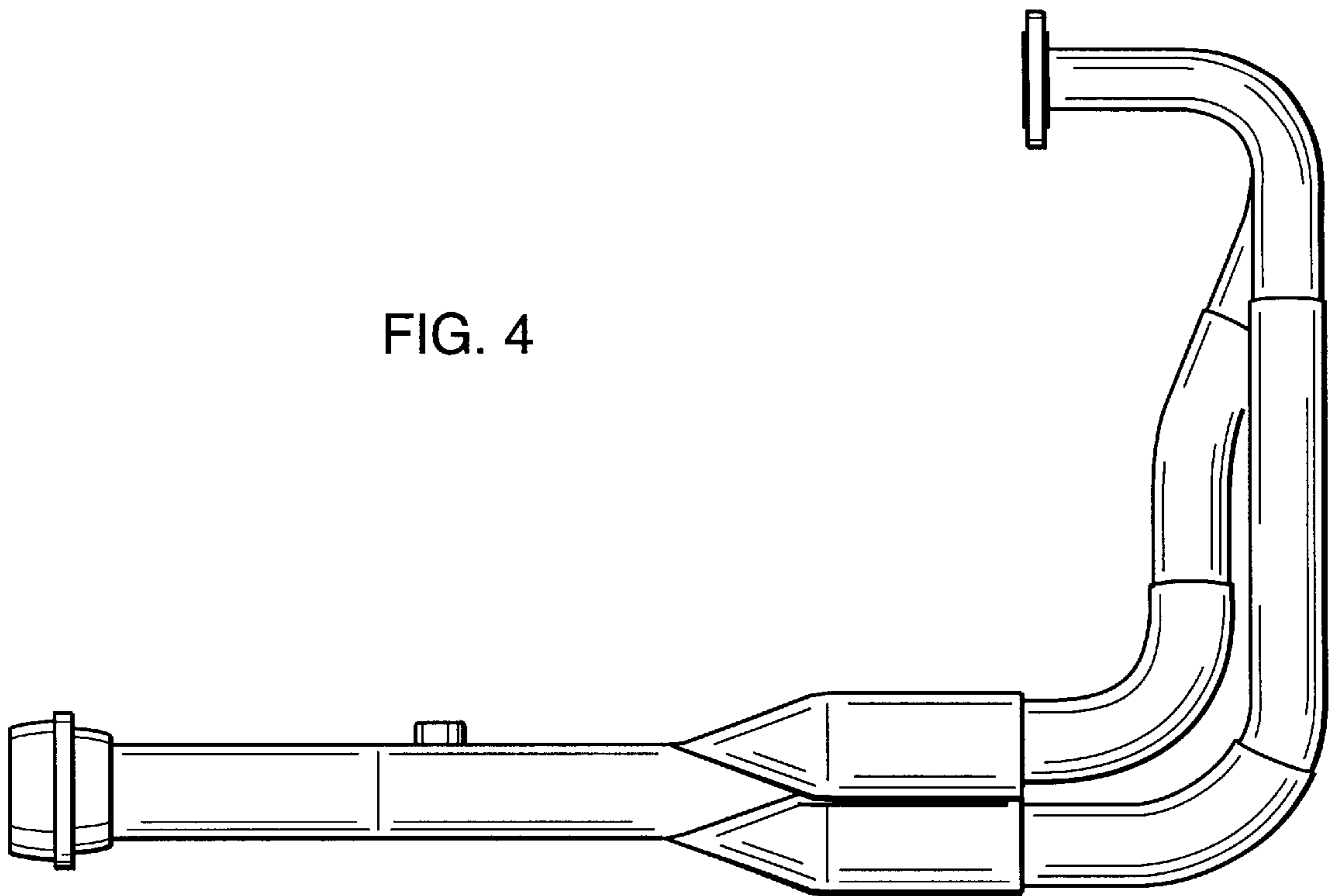


FIG. 4

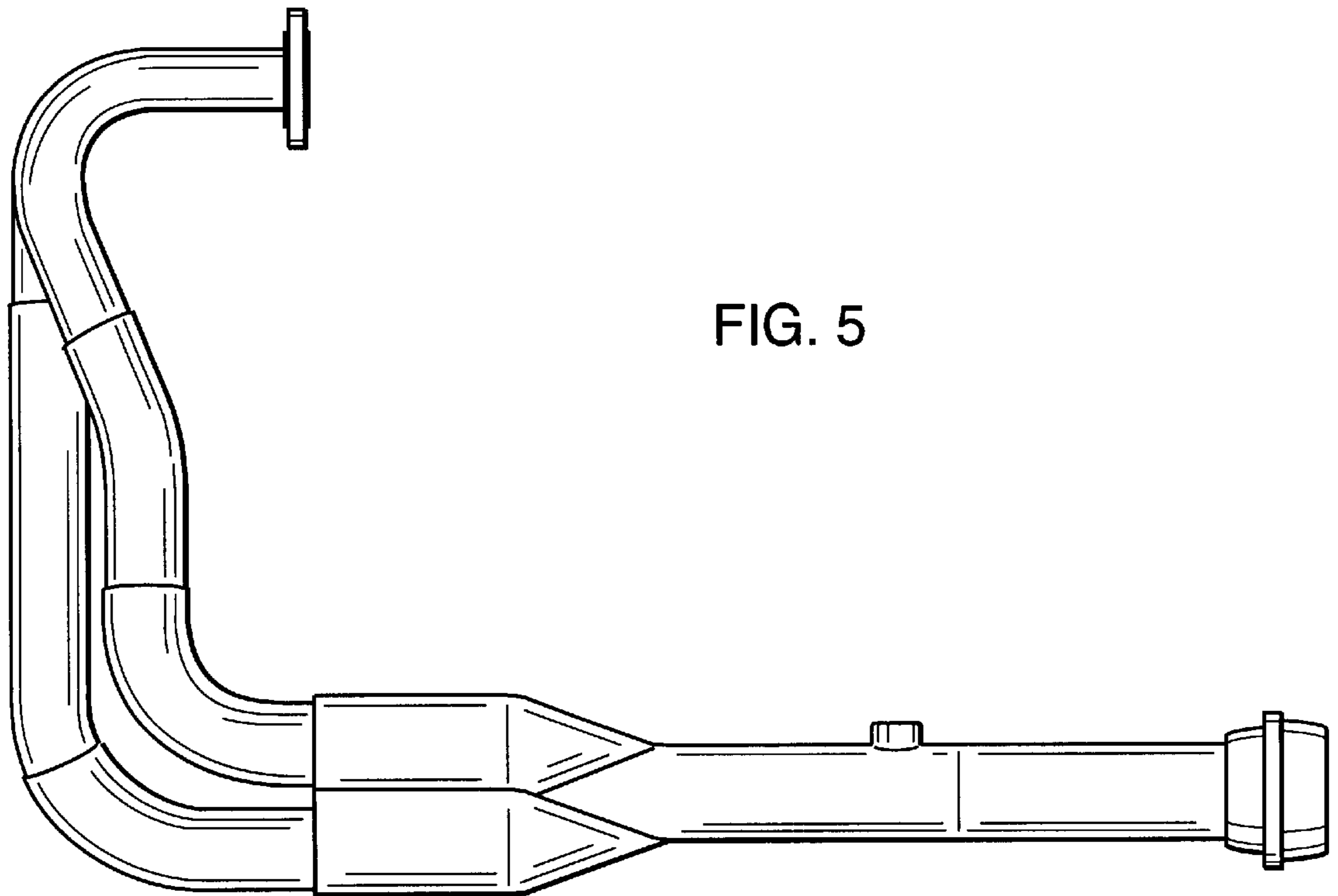


FIG. 5

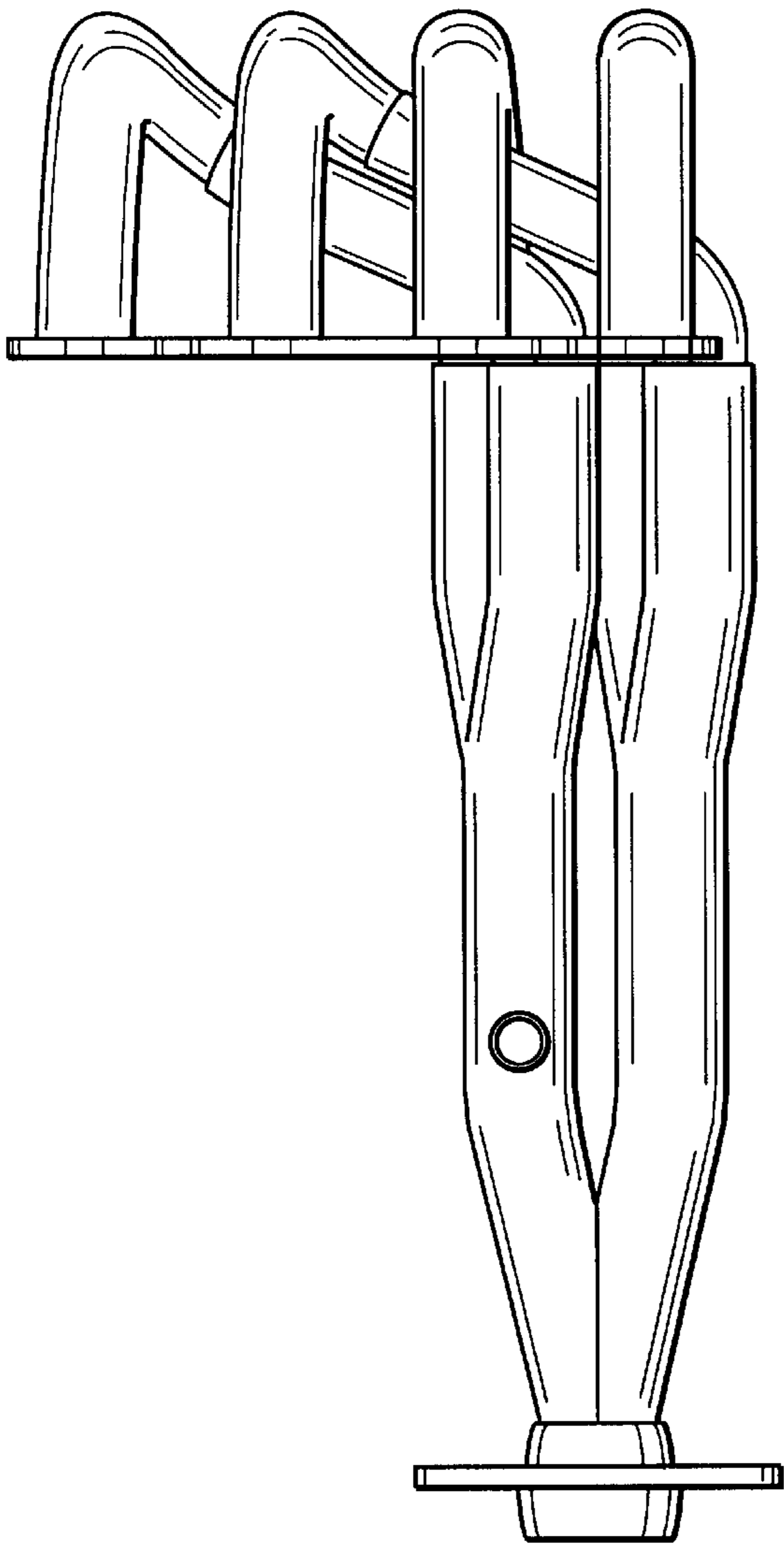


FIG. 6

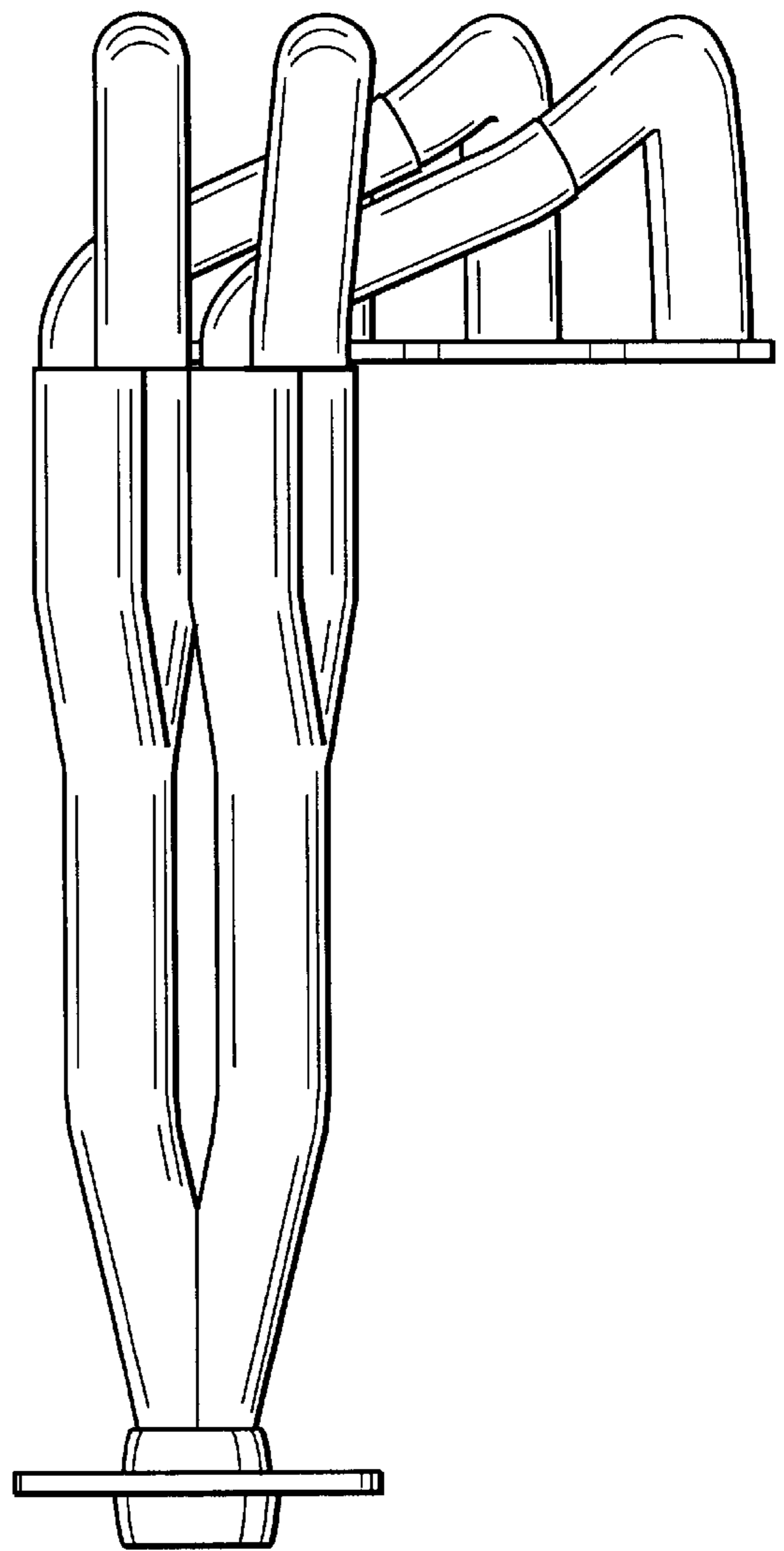


FIG. 7