



US00D484512S

(12) **United States Design Patent**
Graffin

(10) **Patent No.:** **US D484,512 S**

(45) **Date of Patent:** **** Dec. 30, 2003**

(54) **ELECTRONIC KEYPAD HOLDER**

(75) **Inventor:** **Brett A. Graffin**, Scottsdale, AZ (US)

(73) **Assignee:** **Advanced Cadd Productions, Inc.**,
Scottsdale, AZ (US)

(**) **Term:** **14 Years**

(21) **Appl. No.:** **29/179,305**

(22) **Filed:** **Apr. 7, 2003**

(51) **LOC (7) Cl.** **14-02**

(52) **U.S. Cl.** **D14/457**

(58) **Field of Search** D14/455-458,
D14/460, 461; D18/12; 248/118, 118.1,
118.3, 118.5, 346.01, 917-924; 400/689-693

(56) **References Cited**

U.S. PATENT DOCUMENTS

- D272,348 S * 1/1984 Gonzales et al. D14/455
- D315,896 S * 4/1991 Brown D14/399
- D324,515 S * 3/1992 Harden et al. D14/451

- D402,643 S * 12/1998 Grassel D14/457
- D448,387 S * 9/2001 Betancourt D14/457
- D462,360 S * 9/2002 Gilbertson D14/457

* cited by examiner

Primary Examiner—Kay H. Chin

(74) *Attorney, Agent, or Firm*—Joseph H. Roediger;
Gregory J. Nelson

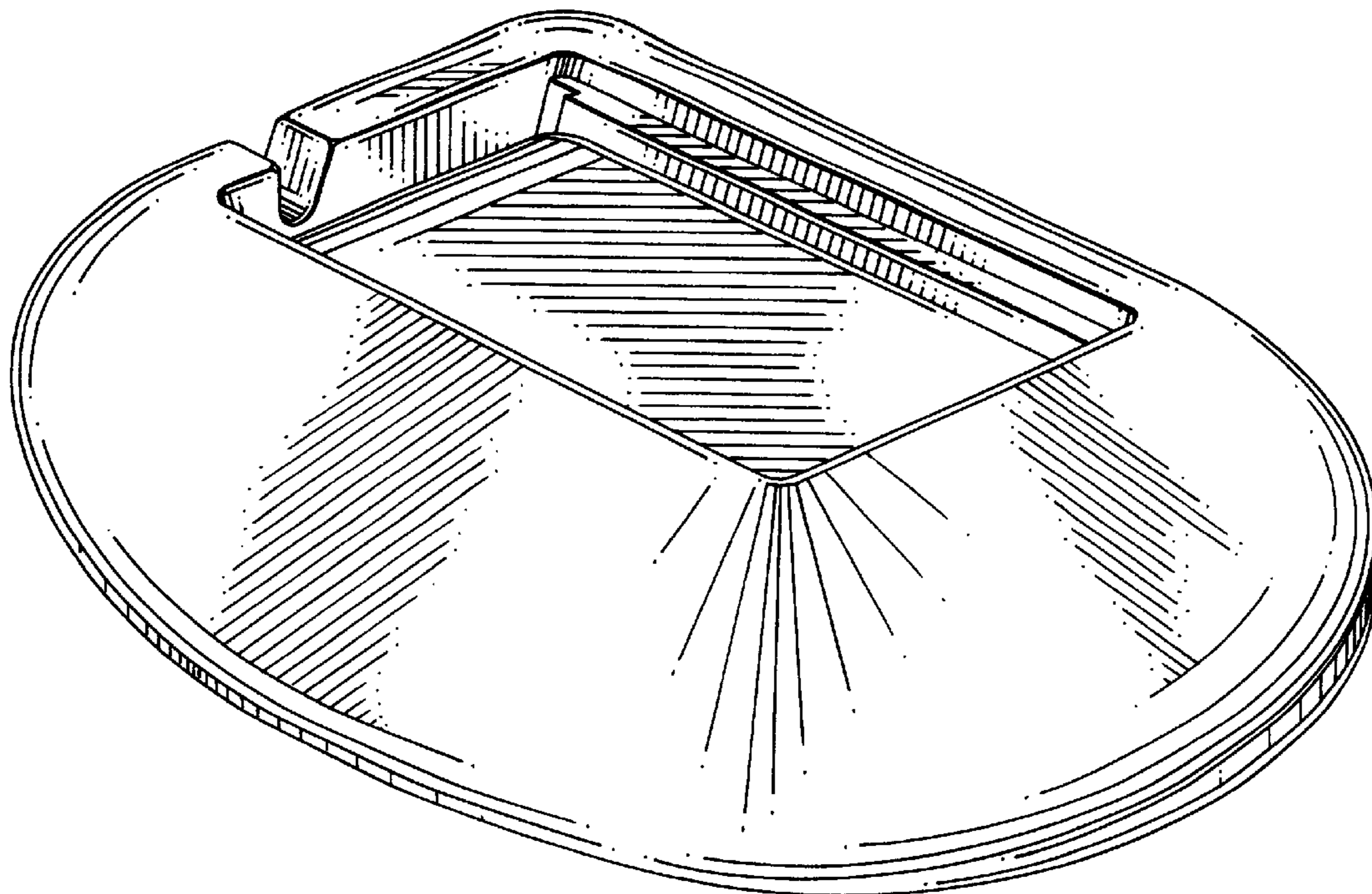
(57) **CLAIM**

The ornamental design for an electronic keypad holder, as shown and described.

DESCRIPTION

FIG. 1 is a perspective view of an electronic keypad holder showing my new design;
 FIG. 2 is a top plan view thereof;
 FIG. 3 is a bottom plan view thereof;
 FIG. 4 is a left side elevational view thereof;
 FIG. 5 is a right side elevational view thereof;
 FIG. 6 is a rear elevational view thereof; and,
 FIG. 7 is a front elevational view thereof.

1 Claim, 2 Drawing Sheets



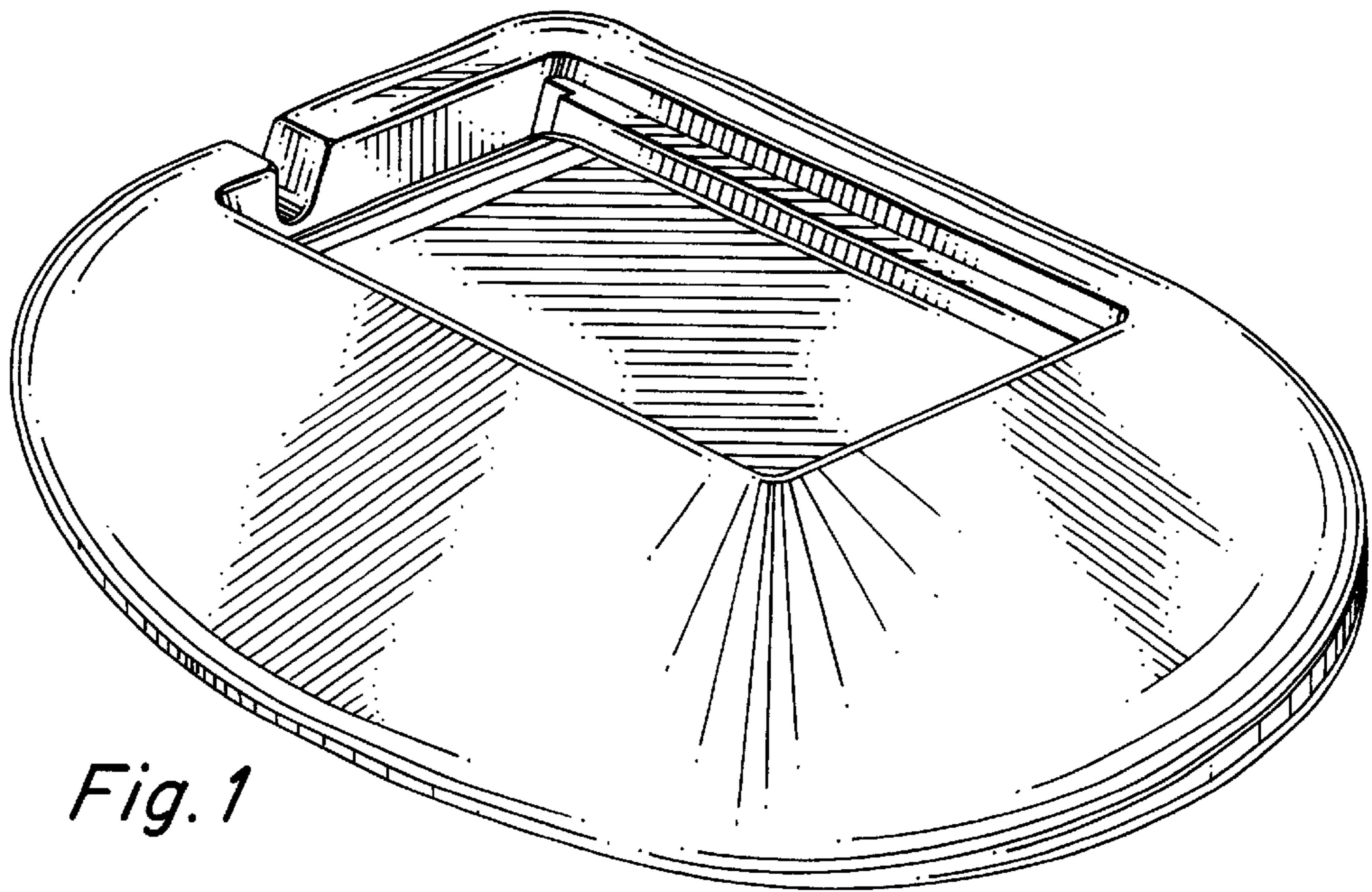


Fig. 1

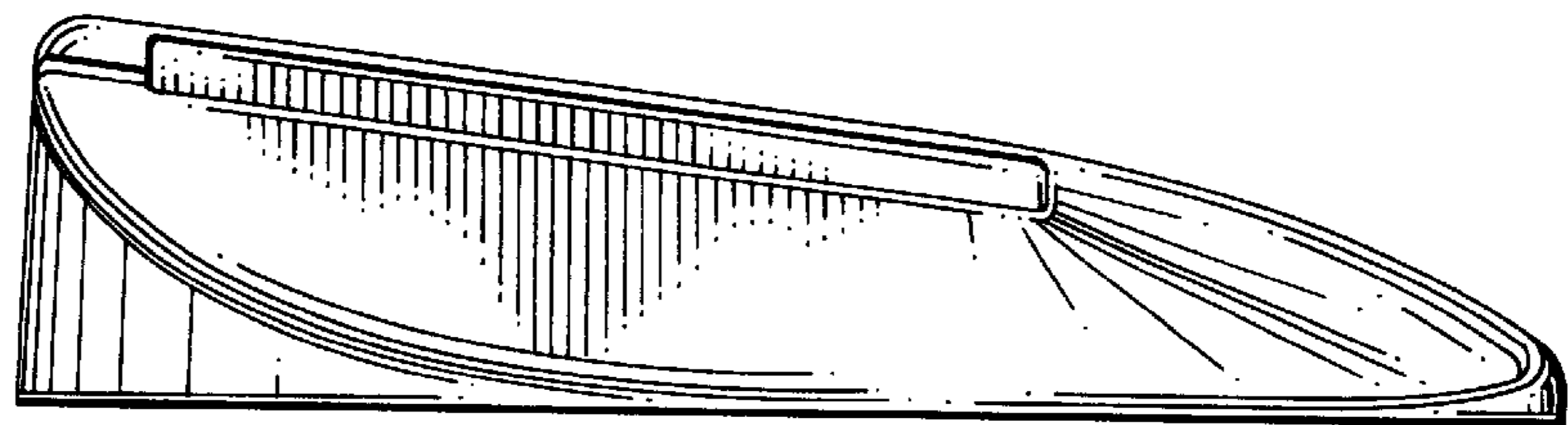


Fig. 4

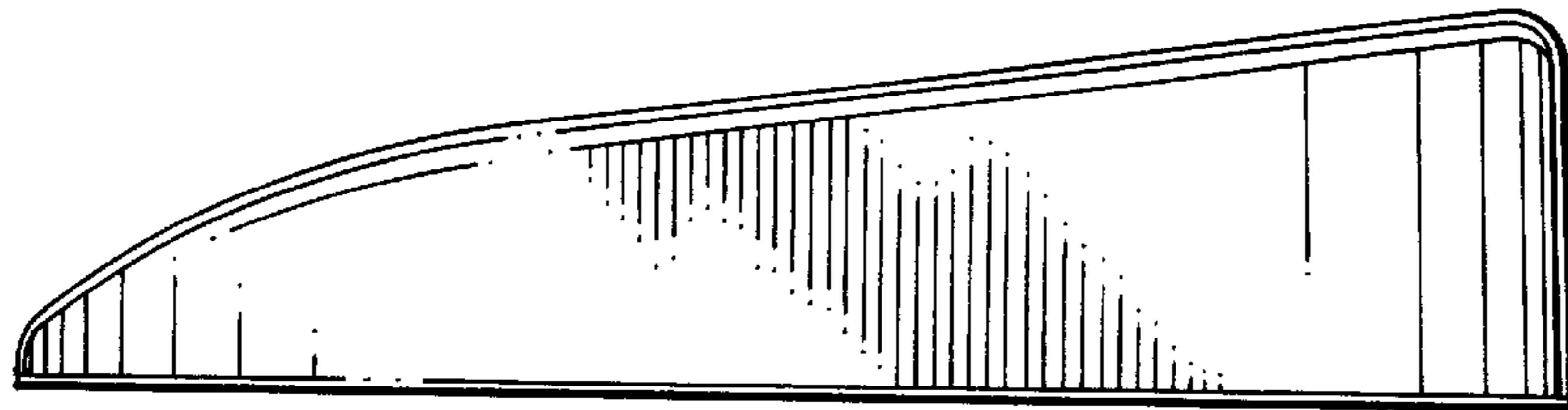


Fig. 5

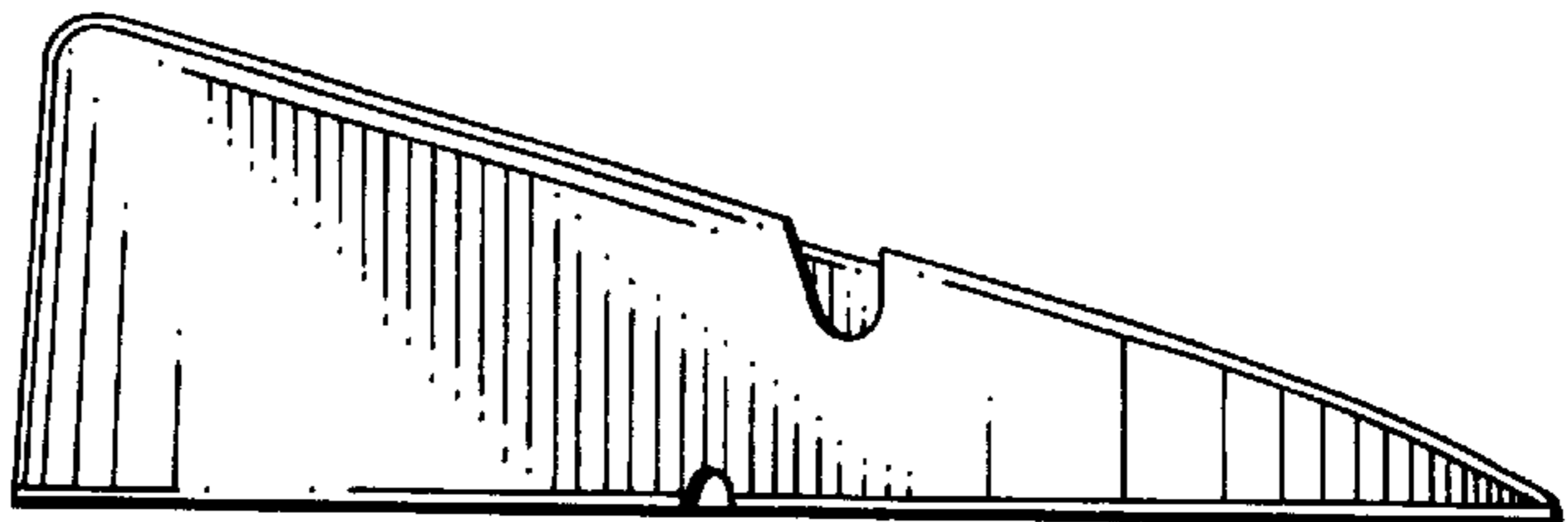


Fig. 6

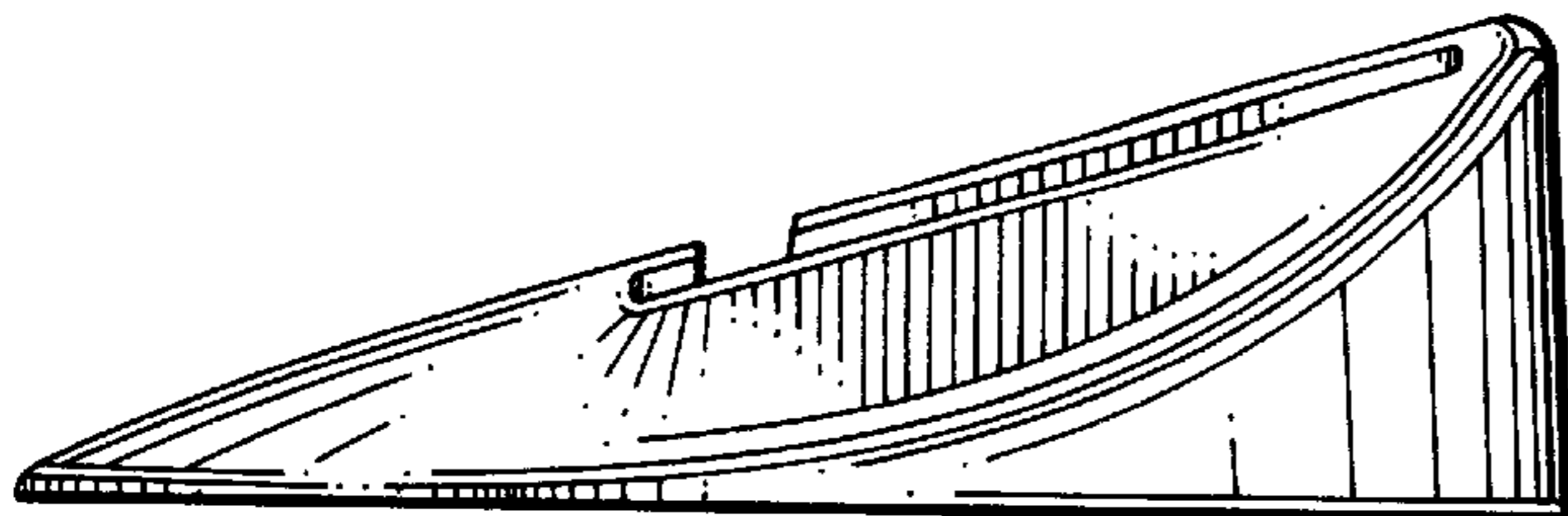


Fig. 7

Fig. 2

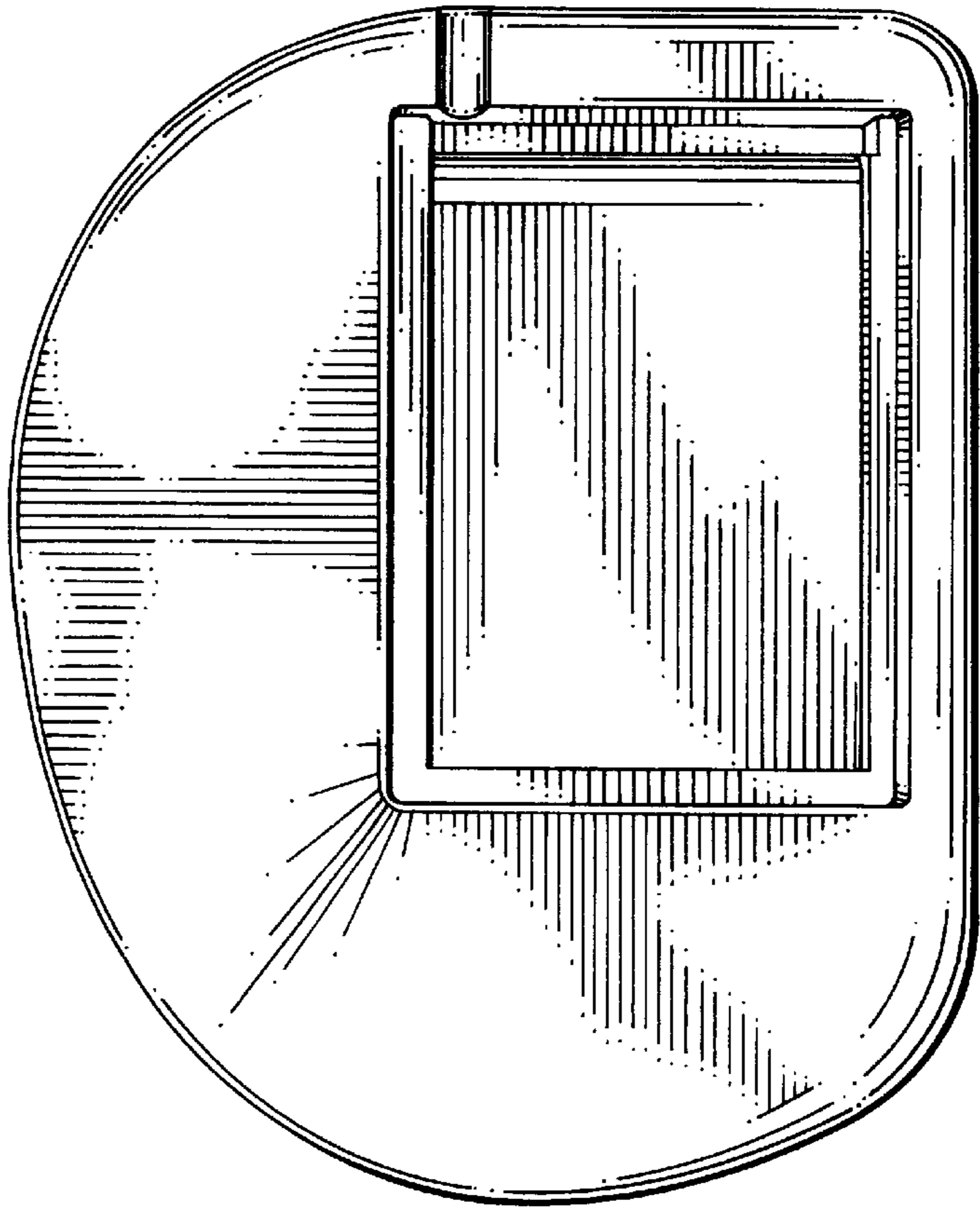


Fig. 3

