



US00D484507S

(12) **United States Design Patent**
Kato

(10) **Patent No.:** **US D484,507 S**

(45) **Date of Patent:** **** Dec. 30, 2003**

(54) **MOUSE FOR A COMPUTER**

(75) Inventor: **Hajime Kato**, Saitama (JP)

(73) Assignee: **Elecom Co., Ltd.**, Osaka (JP)

(**) Term: **14 Years**

(21) Appl. No.: **29/173,657**

(22) Filed: **Jan. 3, 2003**

(30) **Foreign Application Priority Data**

Jul. 5, 2002 (JP) 2002-018191

(51) **LOC (7) Cl.** **14-02**

(52) **U.S. Cl.** **D14/407; D14/402**

(58) **Field of Search** **D14/402-410,**
D14/417, 432; D13/158; D21/324-333;
74/471 XY; 200/5 R, 5 A, 6 R, 6 A; 273/148 B;
345/156-167

(56) **References Cited**

U.S. PATENT DOCUMENTS

D305,331 S *	1/1990	Esslinger	D14/407
D336,900 S *	6/1993	Pfeifer	D14/402
5,313,230 A *	5/1994	Venolia et al.	345/163
6,323,841 B1 *	11/2001	Lai	345/163

* cited by examiner

Primary Examiner—Kay H. Chin

(74) *Attorney, Agent, or Firm*—Snell & Wilmer, LLP

(57) **CLAIM**

The ornamental design for a mouse for a computer, as shown.

DESCRIPTION

FIG. 1 is a front view of a mouse for a computer showing an exemplary embodiment of my new design;

FIG. 2 is a top view of the mouse for a computer of FIG. 1;

FIG. 3 is a bottom view of the mouse for a computer of FIG. 1;

FIG. 4 is a back view of the mouse for a computer of FIG. 1;

FIG. 5 is a left side view of the mouse for a computer of FIG. 1;

FIG. 6 is a right side view of the mouse for a computer of FIG. 1;

FIG. 7 is a cross-sectional view along lines A—A of FIG. 2 with an internal structure being omitted; and,

FIG. 8 is a cross-sectional view along lines B—B of FIG. 2 with an internal structure being omitted.

1 Claim, 3 Drawing Sheets

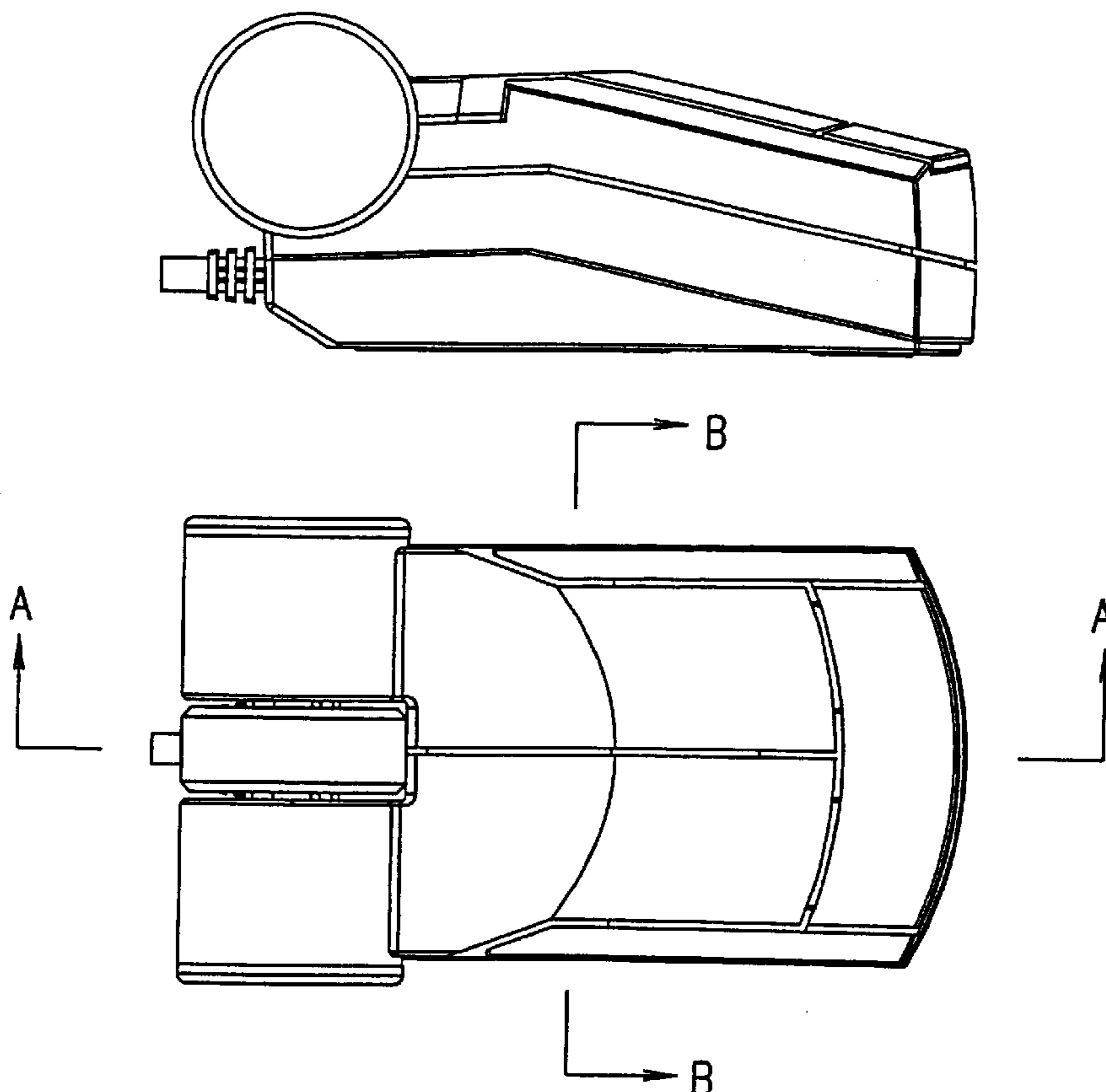


FIG. 1

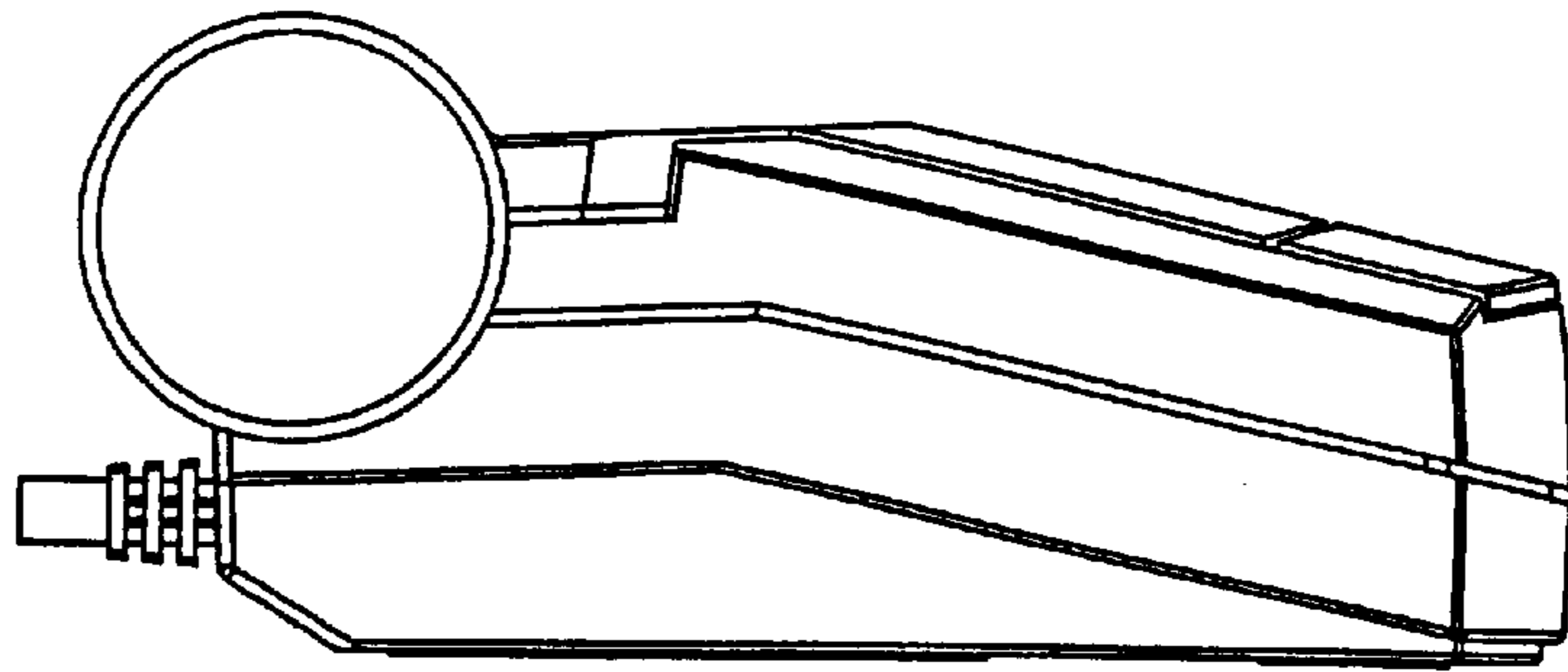


FIG. 2

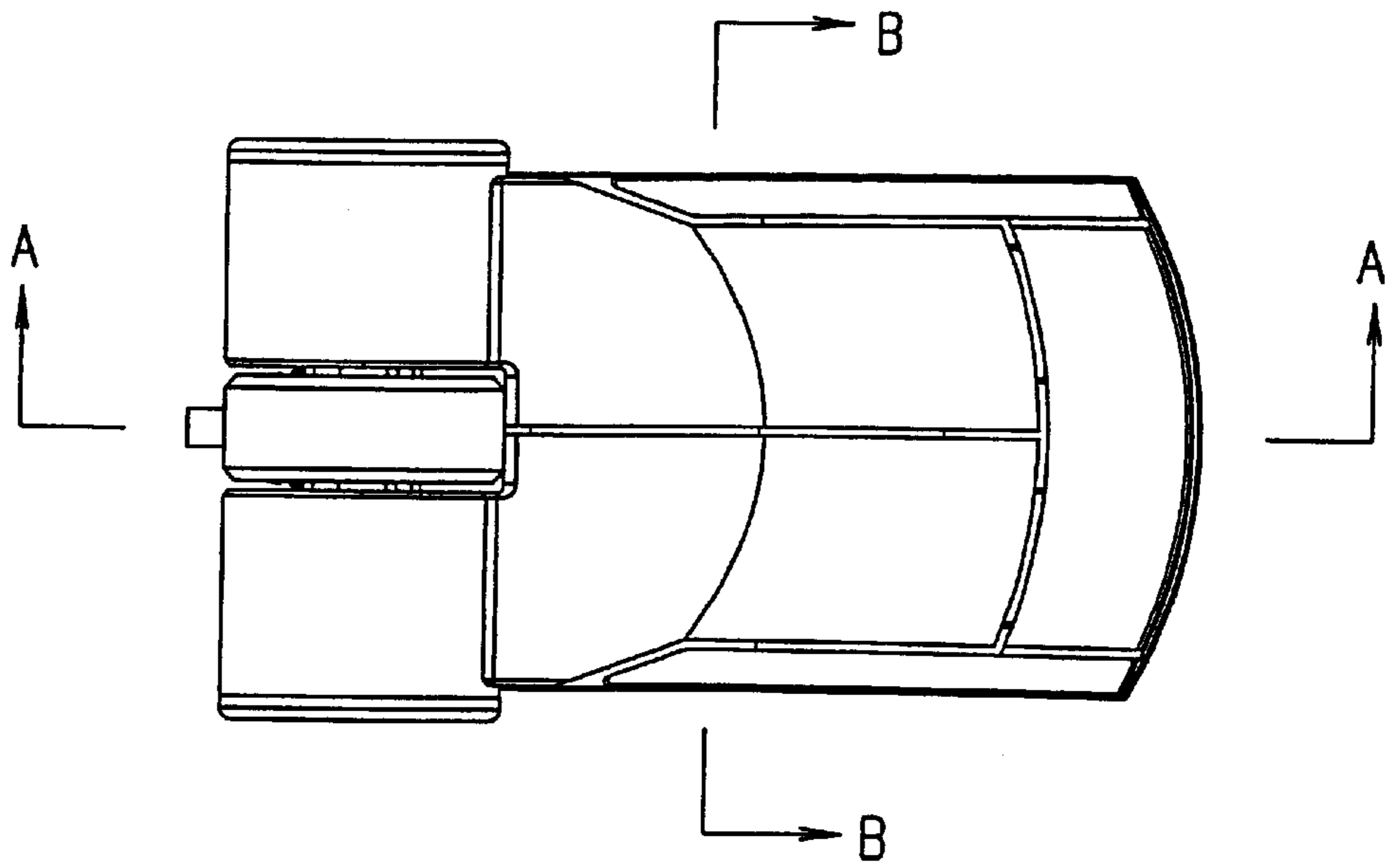


FIG. 3

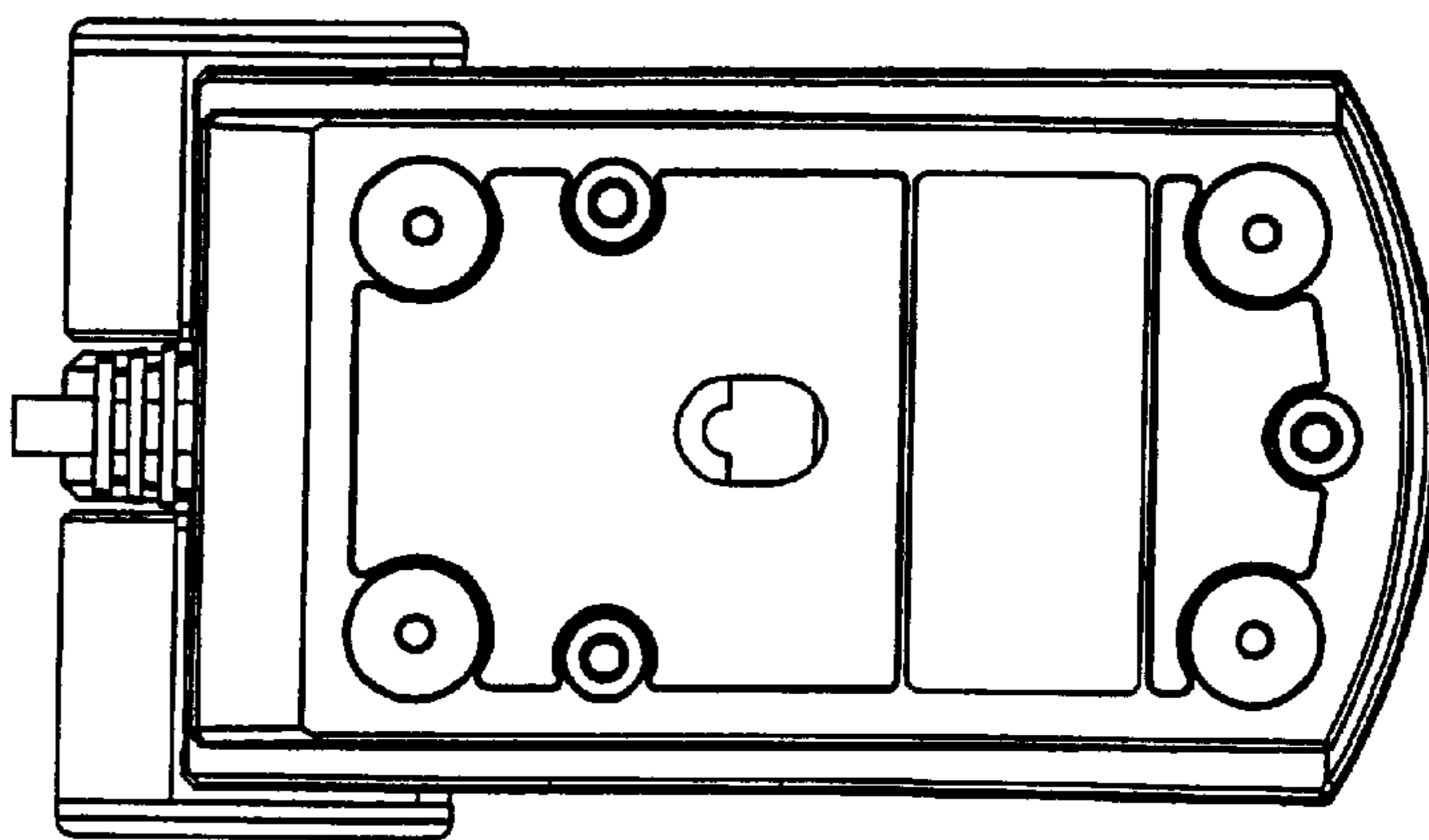


FIG. 4

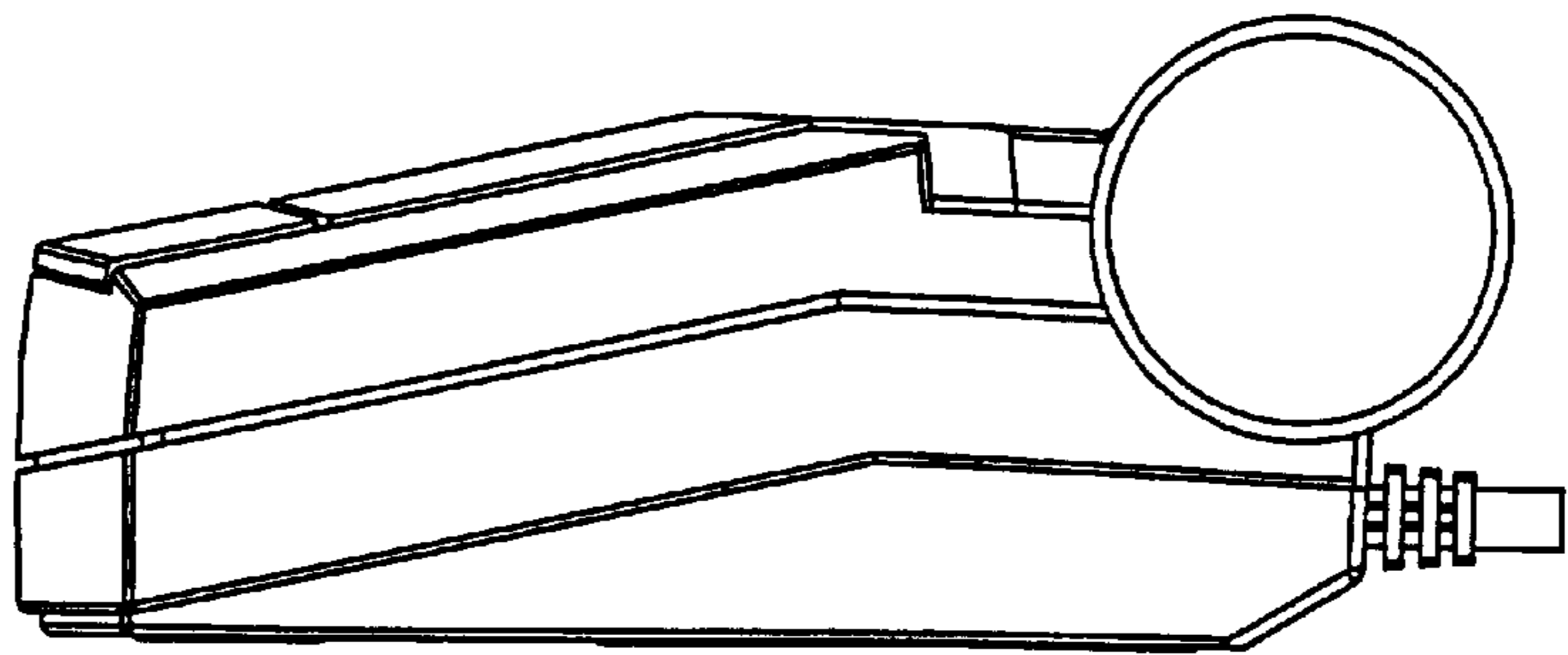


FIG. 5

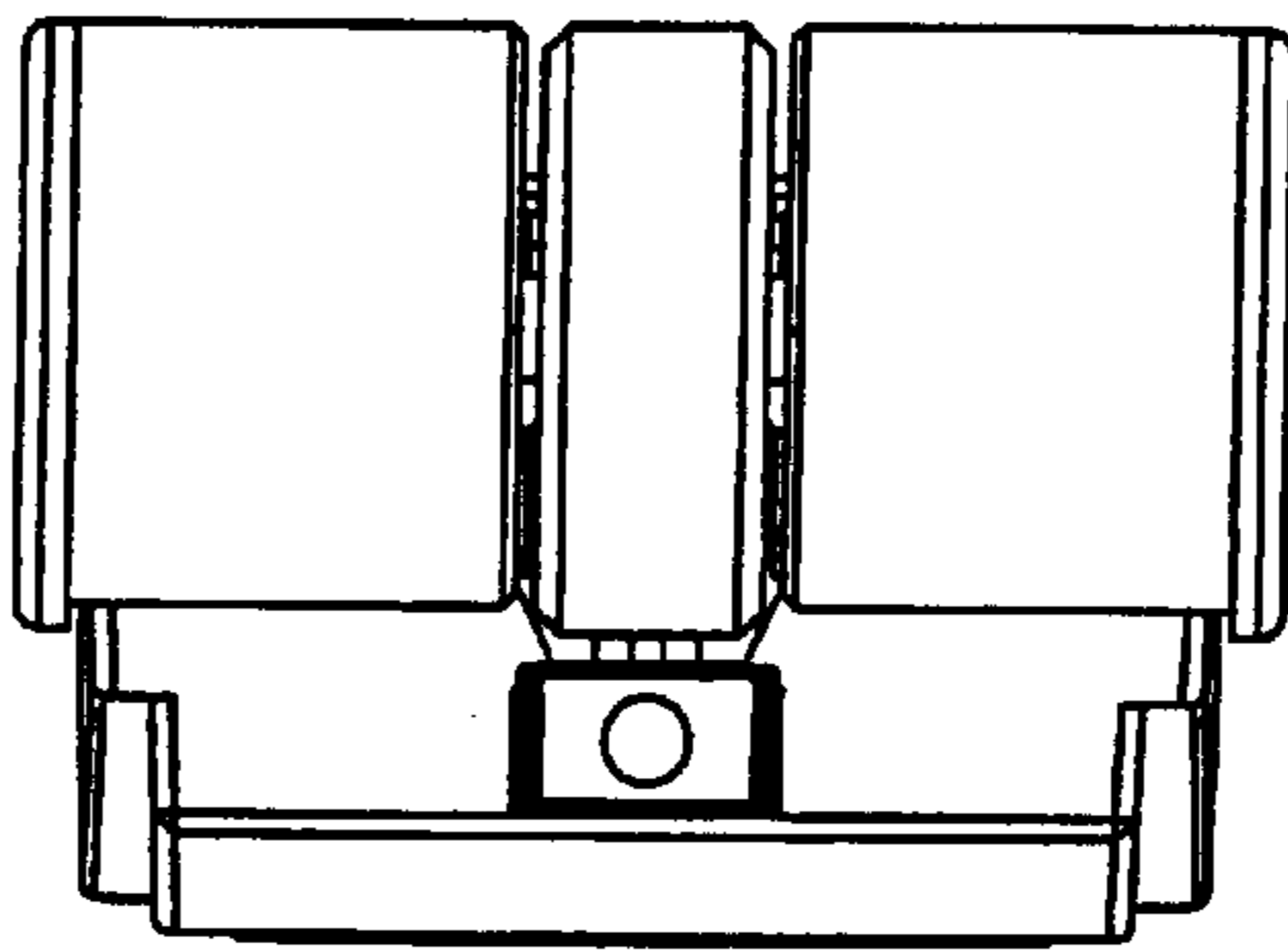


FIG. 6

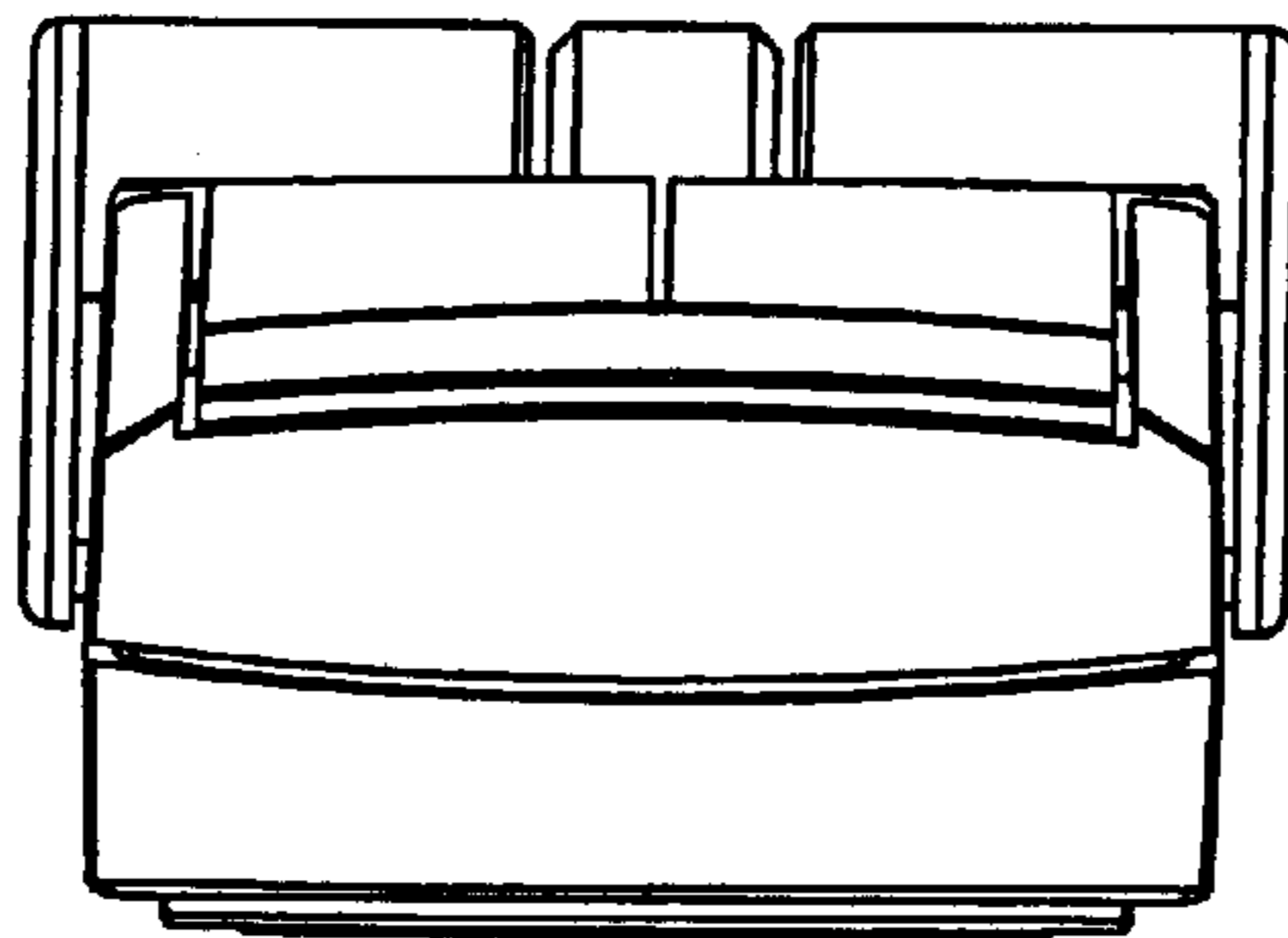


FIG. 7

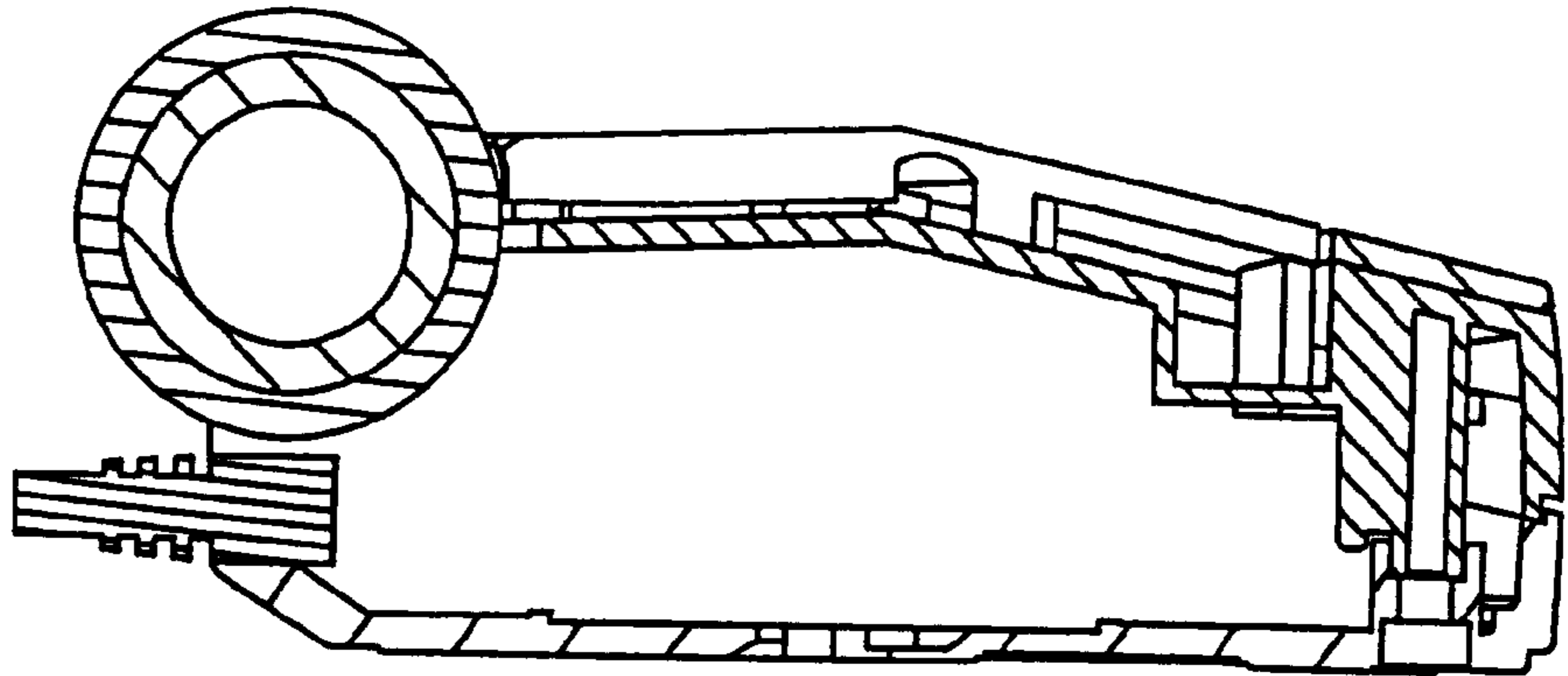


FIG. 8

