



US00D484504S

(12) **United States Design Patent**  
**Chuang**

(10) **Patent No.:** **US D484,504 S**

(45) **Date of Patent:** **\*\* Dec. 30, 2003**

(54) **HARD DISK CASE**

(75) Inventor: **Yung-Shun Chuang, Hsin-Tien (TW)**

(73) Assignee: **Aaeon Technology Inc., Taipei (TW)**

(\*\*) Term: **14 Years**

(21) Appl. No.: **29/181,466**

(22) Filed: **May 13, 2003**

(51) **LOC (7) Cl.** ..... **14-02**

(52) **U.S. Cl.** ..... **D14/367**

(58) **Field of Search** ..... D14/348, 356,  
D14/357, 358, 362, 363, 365, 367, 368,  
370, 432, 433, 483; 361/684, 689, 818;  
369/75.1, 77.1, 77.2; 365/52, 53; 360/245.8,  
97.01

(56) **References Cited**

**U.S. PATENT DOCUMENTS**

D348,448 S \* 7/1994 Read et al. .... D14/365  
5,428,583 A \* 6/1995 Ohmori et al. .... 369/75.1 X  
5,506,374 A \* 4/1996 Kawakami ..... 174/35 GC  
5,621,582 A \* 4/1997 Stefansky ..... 360/75  
5,732,464 A \* 3/1998 Lamont ..... 29/825

6,097,608 A \* 8/2000 Berberich et al. .... 369/75.1  
D466,507 S \* 12/2002 Nakamura ..... D14/363  
6,519,110 B2 \* 2/2003 Dague et al. .... 360/97.01  
6,532,135 B1 \* 3/2003 Chen et al. .... 360/244.8  
D478,079 S \* 8/2003 Turner et al. .... D14/362  
2002/0162396 A1 \* 11/2002 Genix et al. .... 73/664

\* cited by examiner

*Primary Examiner*—Joel Sincavage

(74) *Attorney, Agent, or Firm*—Rabin & Berdo, P.C.

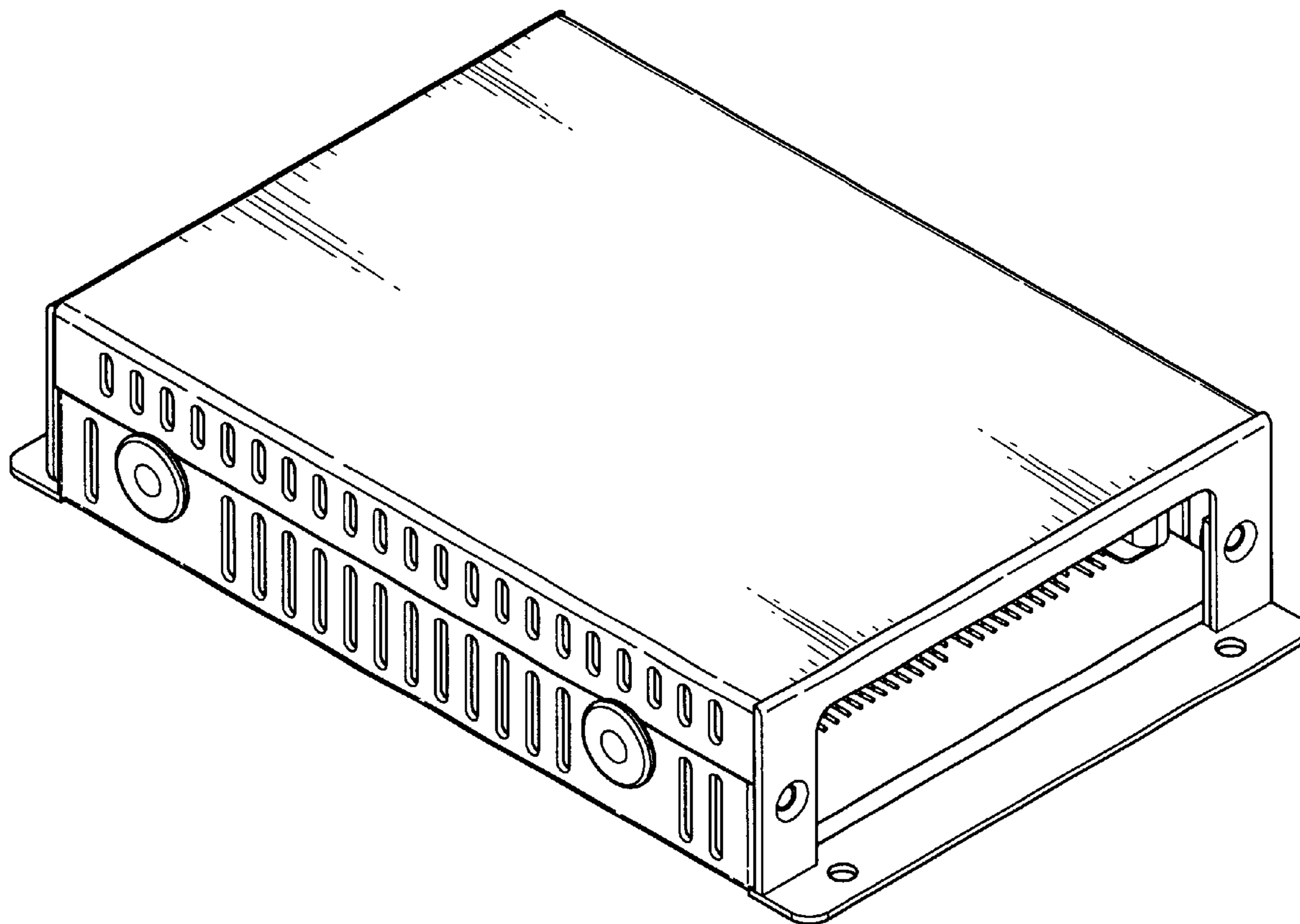
(57) **CLAIM**

The ornamental design for a hard disk case, as shown and described.

**DESCRIPTION**

FIG. 1 is a perspective view of a hard disk case showing my new design;  
FIG. 2 is a front elevation view thereof;  
FIG. 3 is a rear elevation view thereof;  
FIG. 4 is a left side elevation view thereof;  
FIG. 5 is a right side elevation view thereof;  
FIG. 6 is a top plan view thereof; and,  
FIG. 7 is a bottom plan view thereof.

**1 Claim, 5 Drawing Sheets**



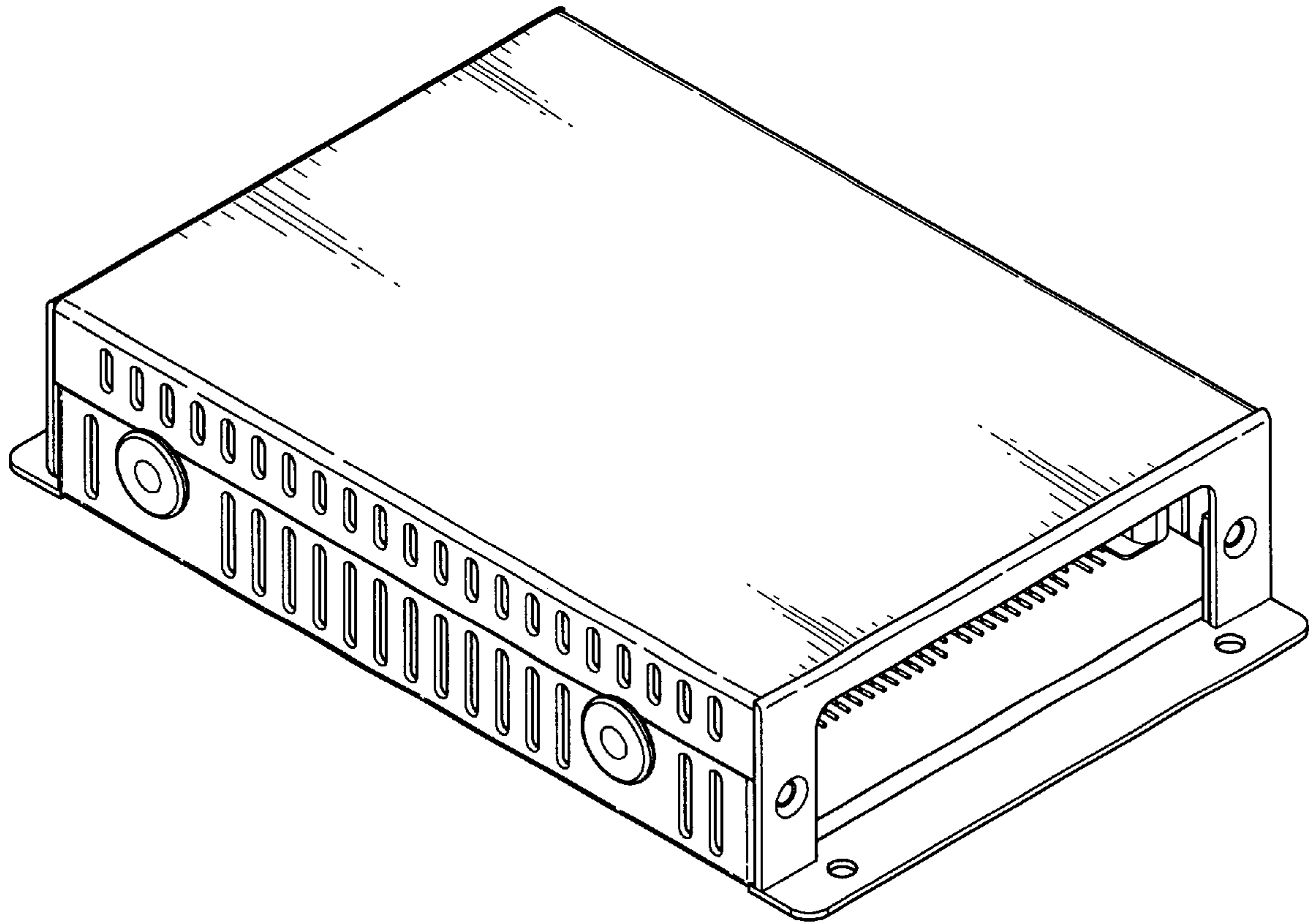


FIG.1

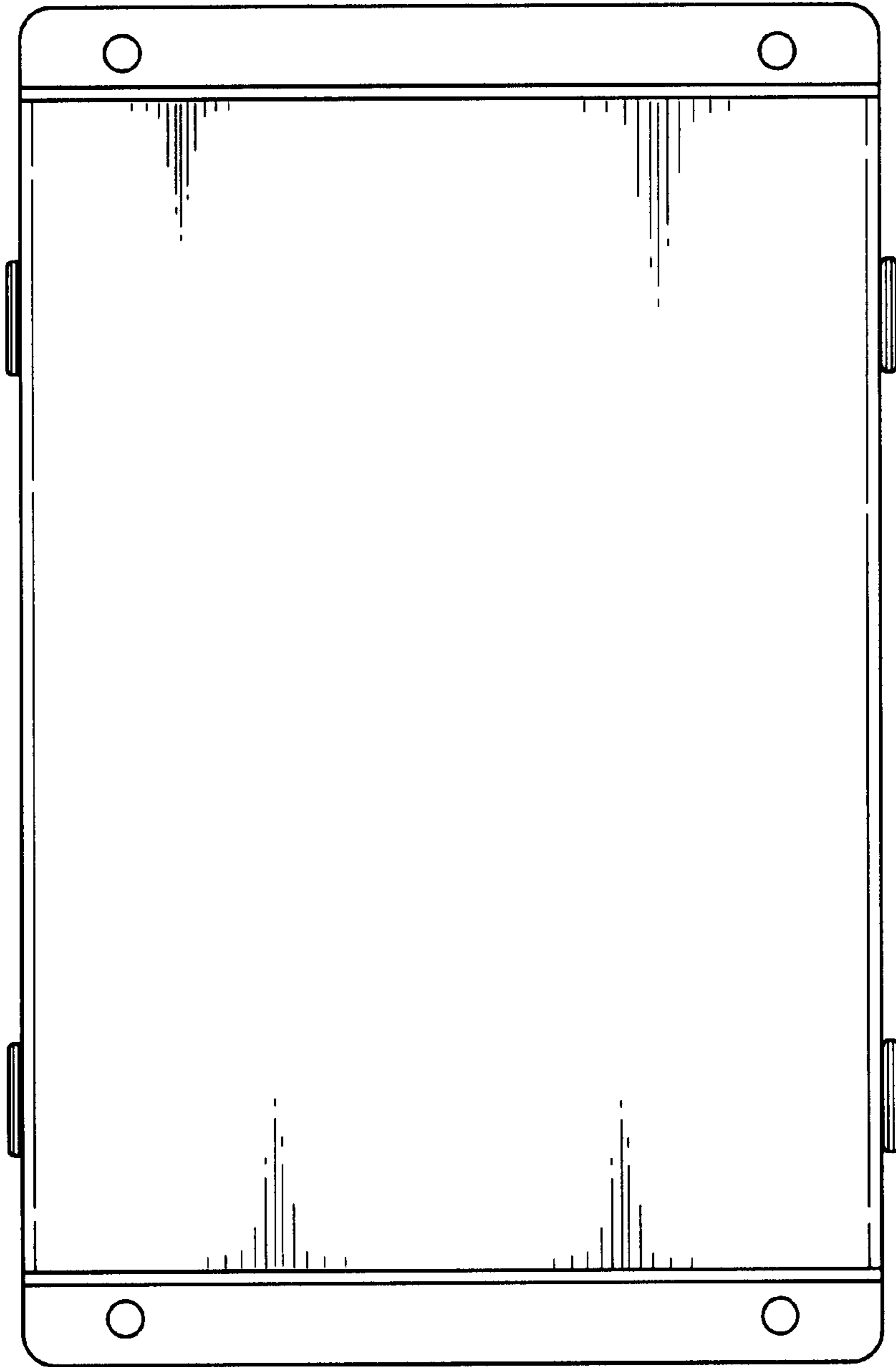


FIG.2

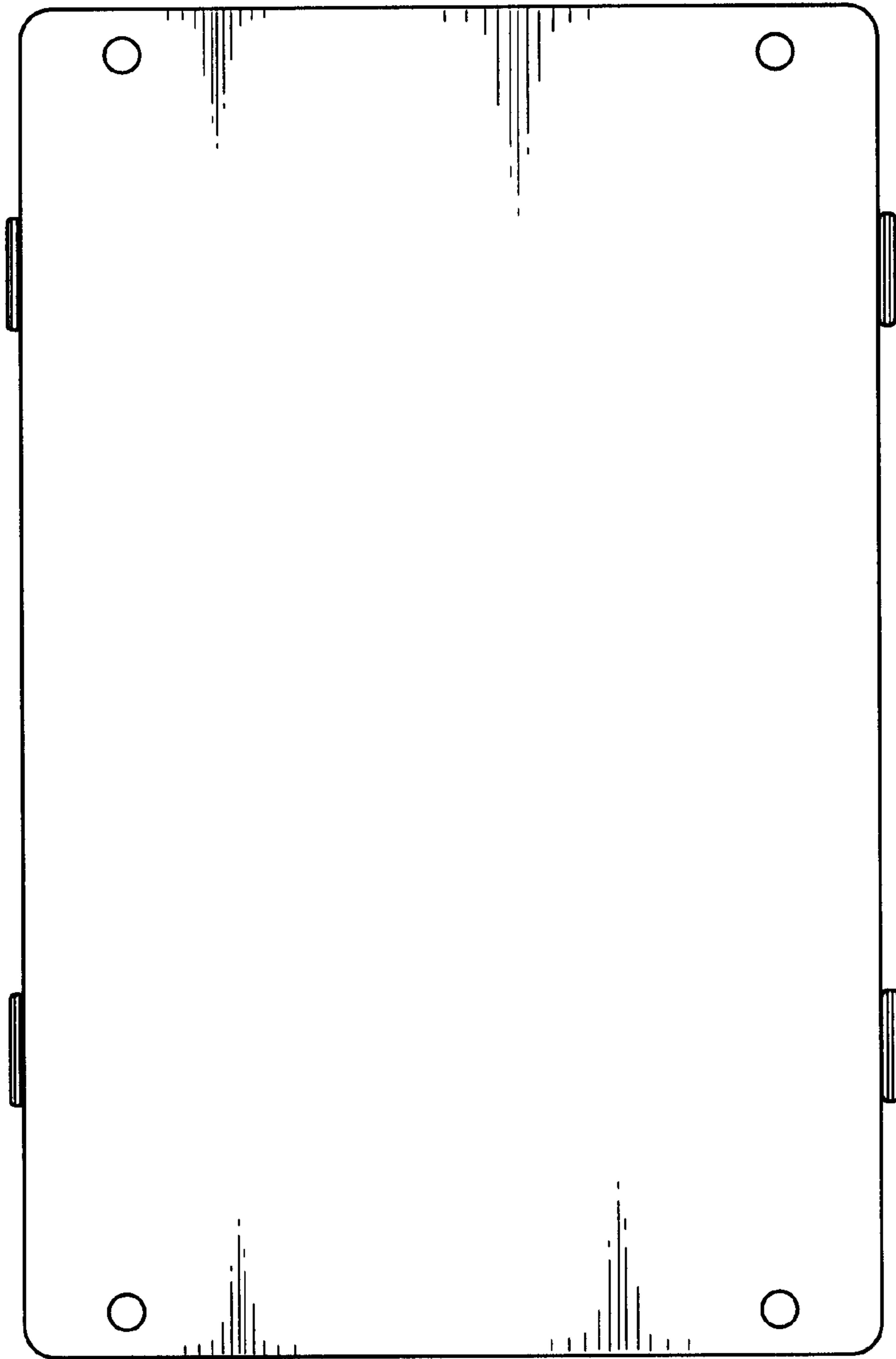


FIG.3

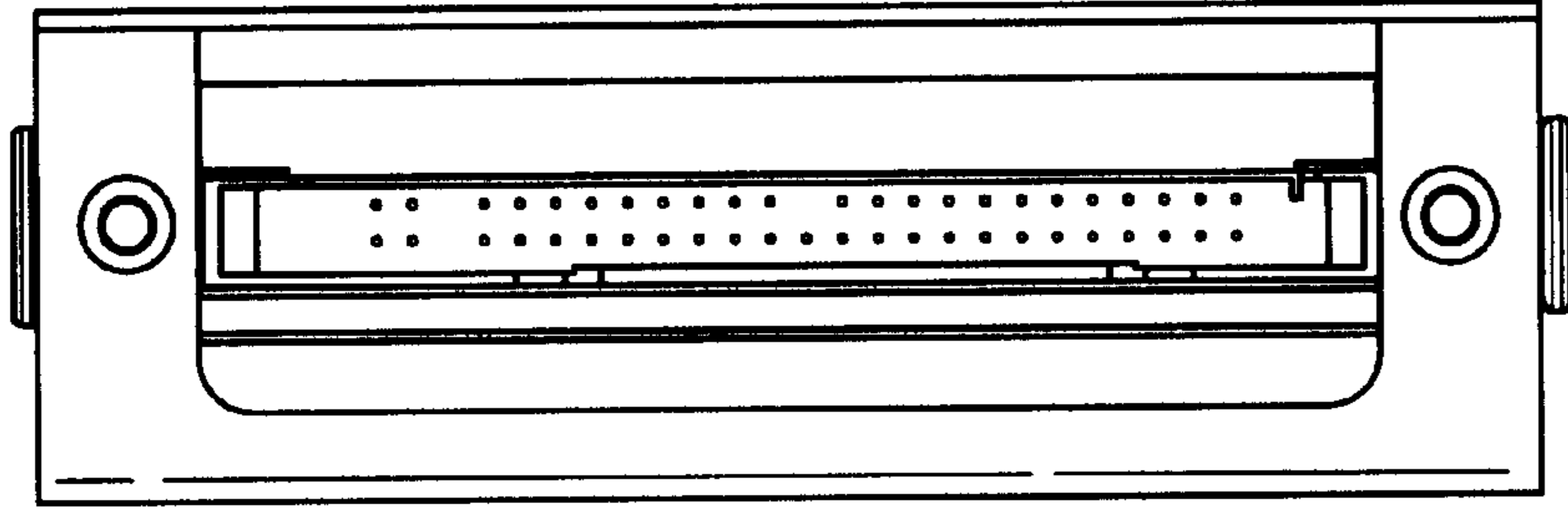


FIG.5

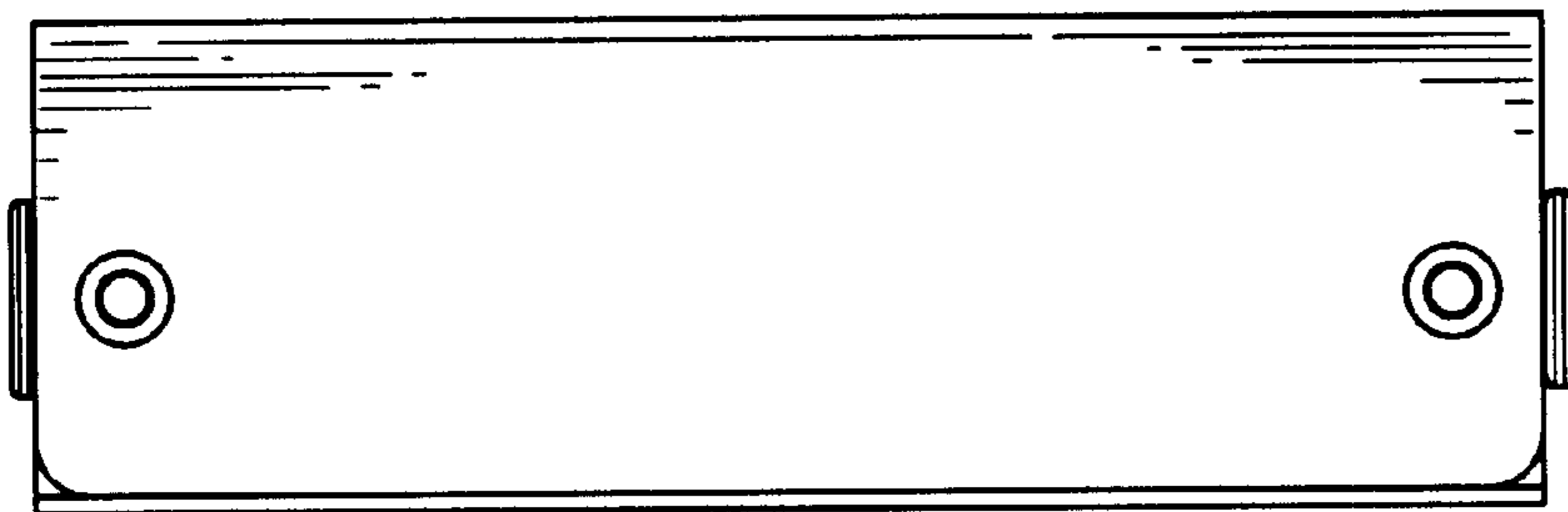


FIG.4

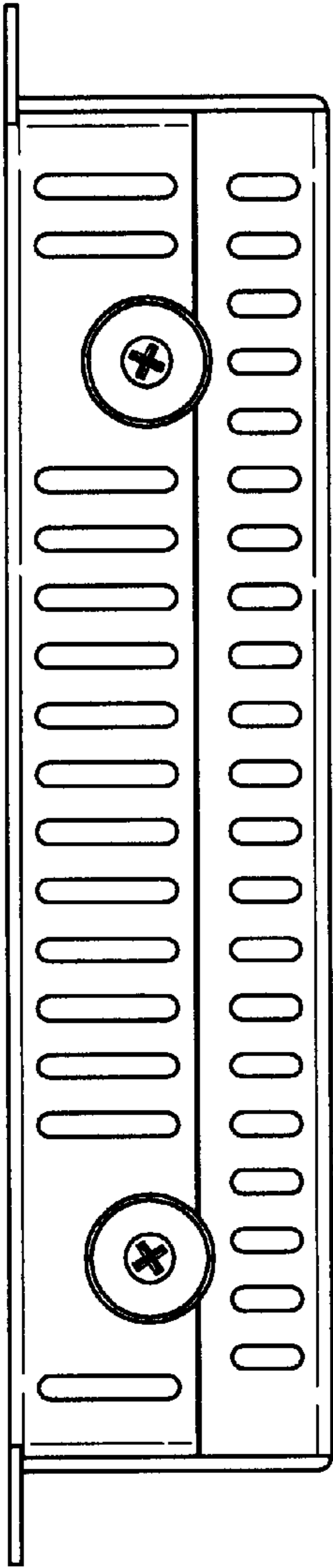


FIG. 6

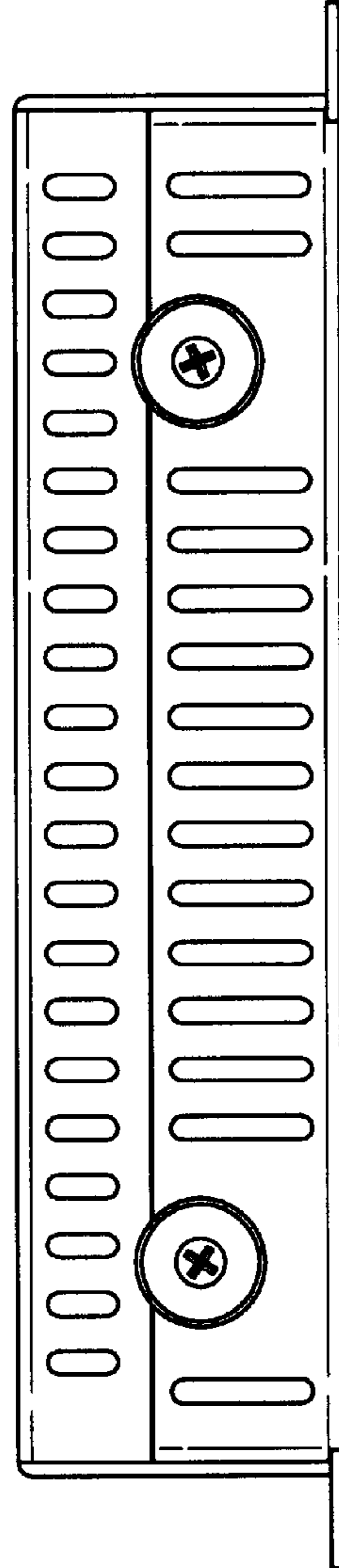


FIG. 7