



US00D484501S

(12) **United States Design Patent**
Umezawa et al.

(10) **Patent No.: US D484,501 S**

(45) **Date of Patent: ** Dec. 30, 2003**

(54) **COMPUTER**

(75) Inventors: **Kazuhiko Umezawa**, Tokyo (JP); **Jun Kubokawa**, Yamanashi (JP); **Youichi Higuchi**, Yamanashi (JP); **Yoshin Segawa**, Tokyo (JP)

(73) Assignee: **NEC Corporation**, Tokyo (JP)

(**) Term: **14 Years**

(21) Appl. No.: **29/173,135**

(22) Filed: **Dec. 24, 2002**

(30) **Foreign Application Priority Data**

Jun. 27, 2002 (JP) 2002-017300

(51) **LOC (7) Cl.** **14-02**

(52) **U.S. Cl.** **D14/311**

(58) **Field of Search** D14/300-313,
D14/348-356, 440, 441, 445, 446; 312/223.2;
361/683, 724

(56) **References Cited**

U.S. PATENT DOCUMENTS

D314,190 S * 1/1991 Aoyama et al. D14/311

D315,722 S * 3/1991 Imamura et al. D14/355
D337,097 S * 7/1993 Clark et al. D14/311
D341,574 S * 11/1993 Fiorella et al. D14/311
D343,388 S * 1/1994 Mousa D14/355
D348,655 S * 7/1994 Bock et al. D14/363
D417,202 S * 11/1999 Izawa et al. D14/364

* cited by examiner

Primary Examiner—Joel Sincavage

(74) *Attorney, Agent, or Firm*—Sughrue Mion, PLLC

(57) **CLAIM**

The ornamental design for a computer, as shown and described.

DESCRIPTION

FIG. 1 is a perspective view of the top, front and right side of a computer showing our new design; FIG. 2 is a front elevational view thereof; FIG. 3 is a rear elevational view thereof; FIG. 4 is a bottom plan view thereof; FIG. 5 is a top plan view thereof; FIG. 6 is a right side elevational view thereof; and, FIG. 7 is a left side elevational view thereof.

1 Claim, 4 Drawing Sheets

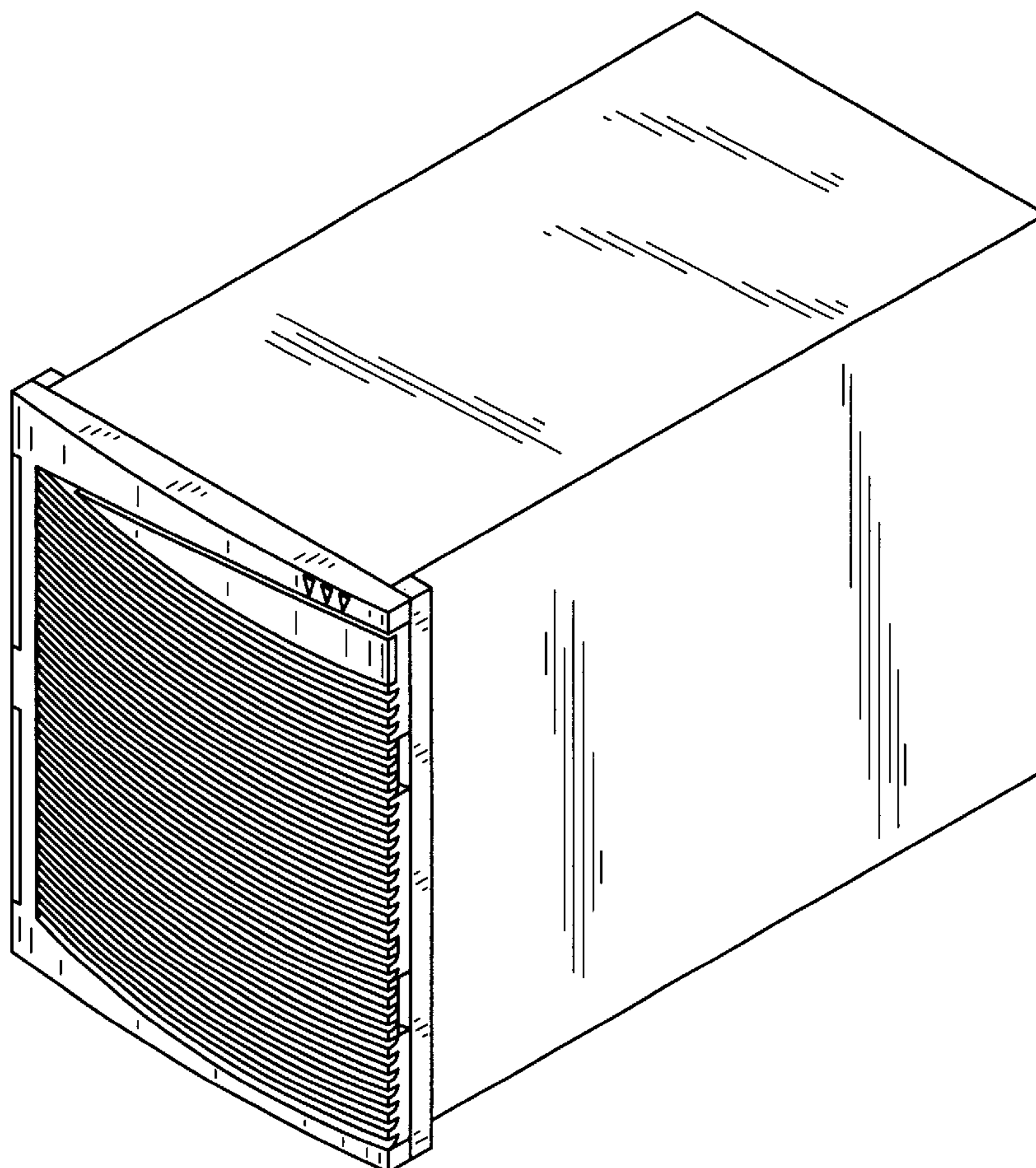


FIG. 1

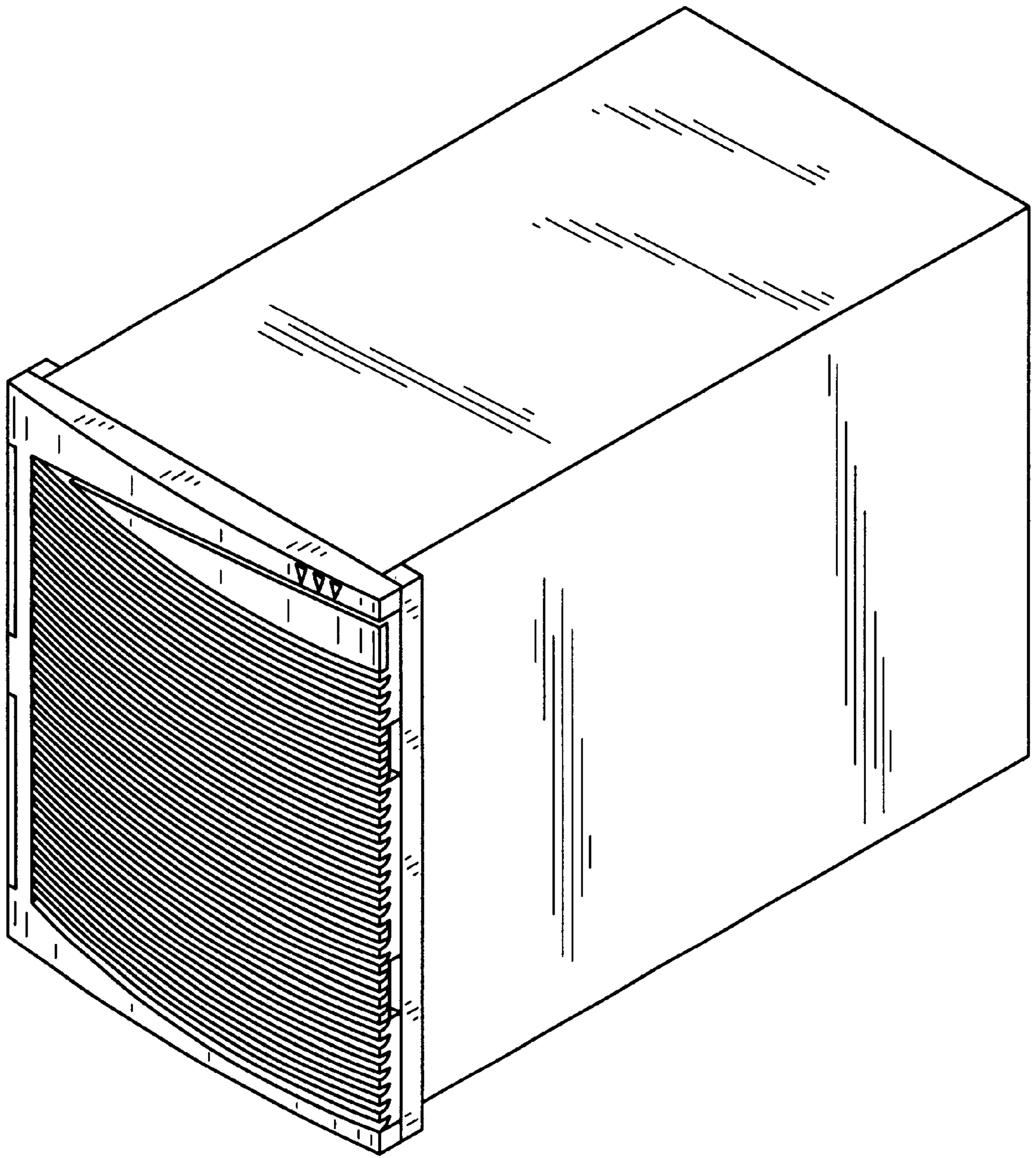


FIG. 2

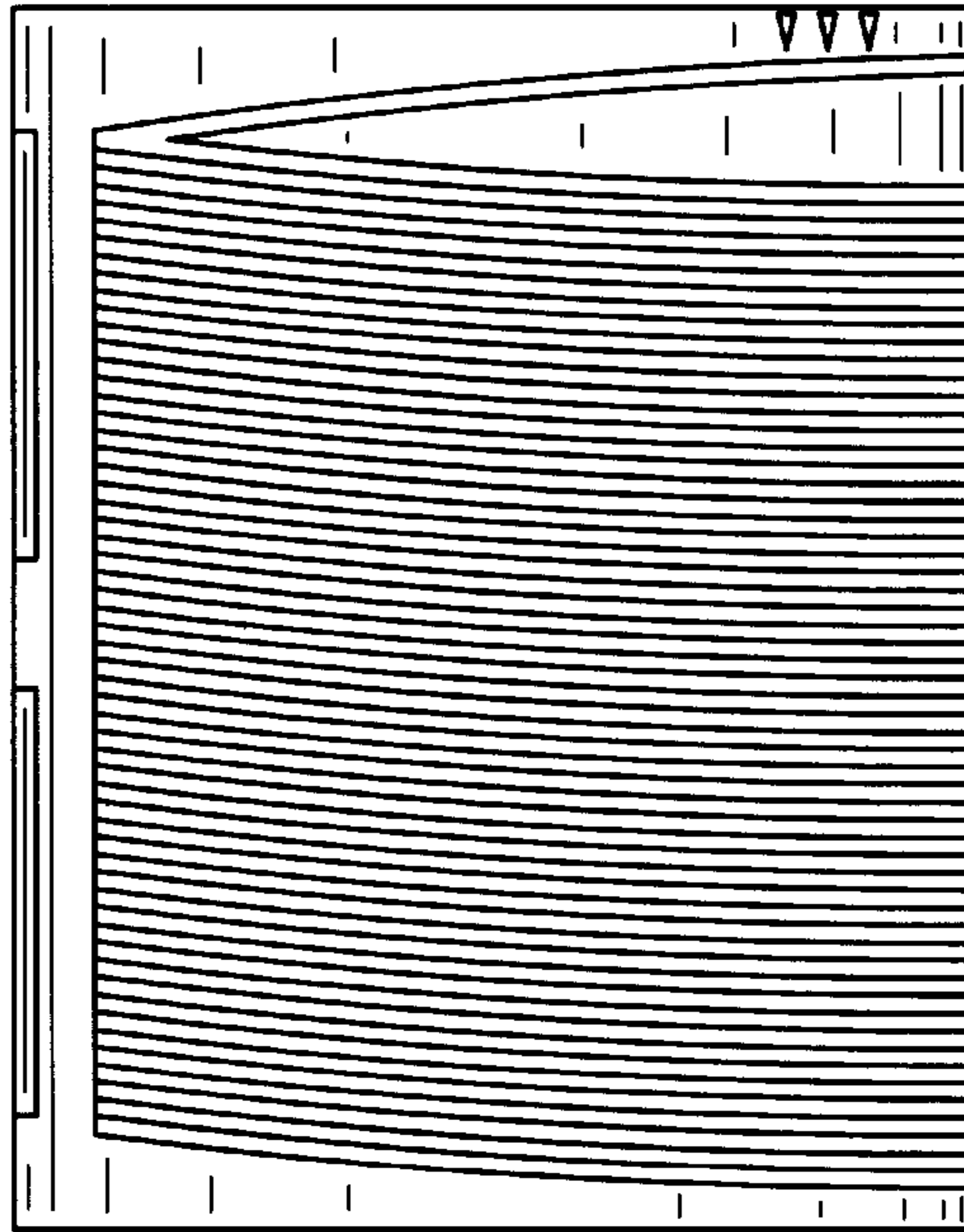


FIG. 3

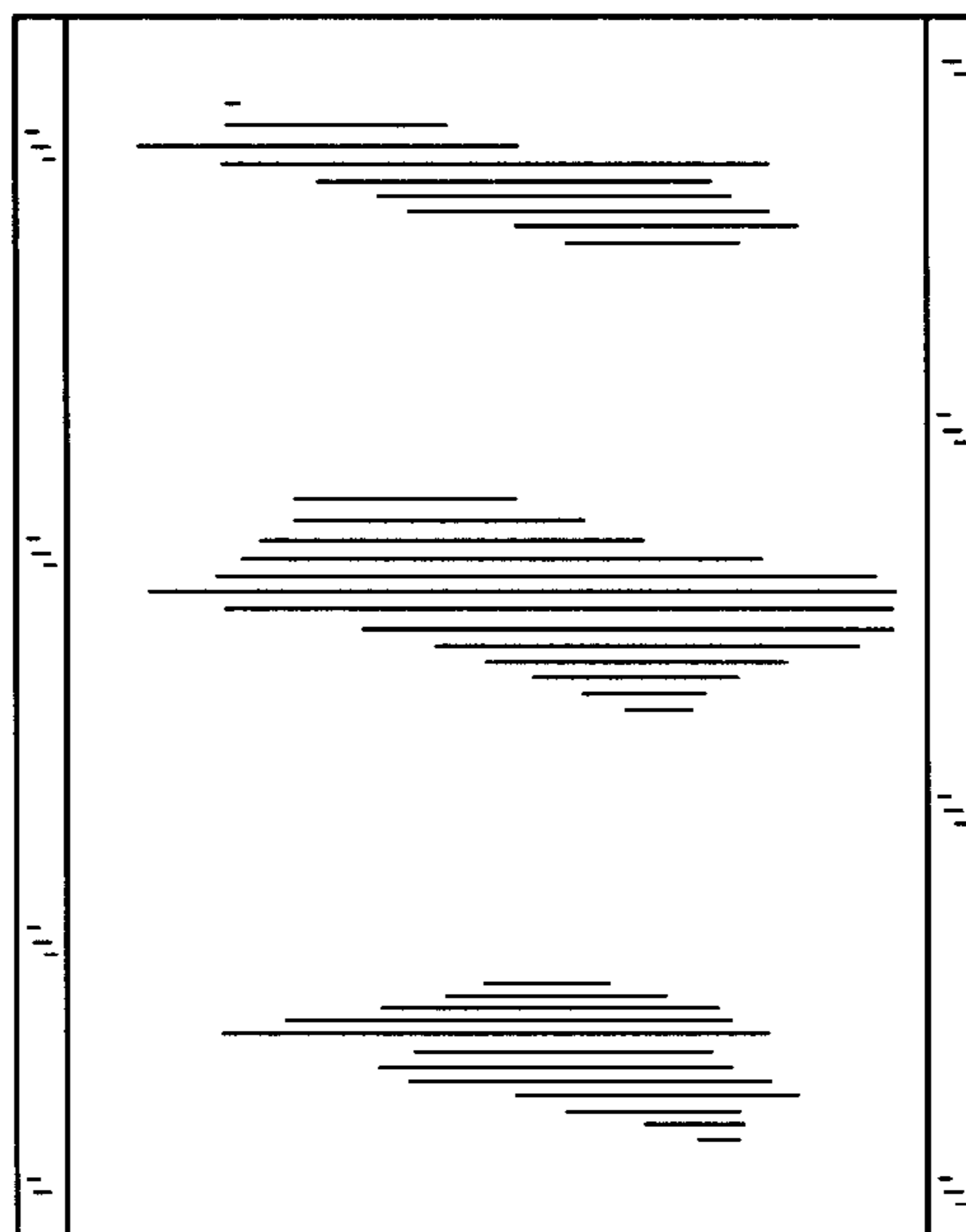


FIG. 4

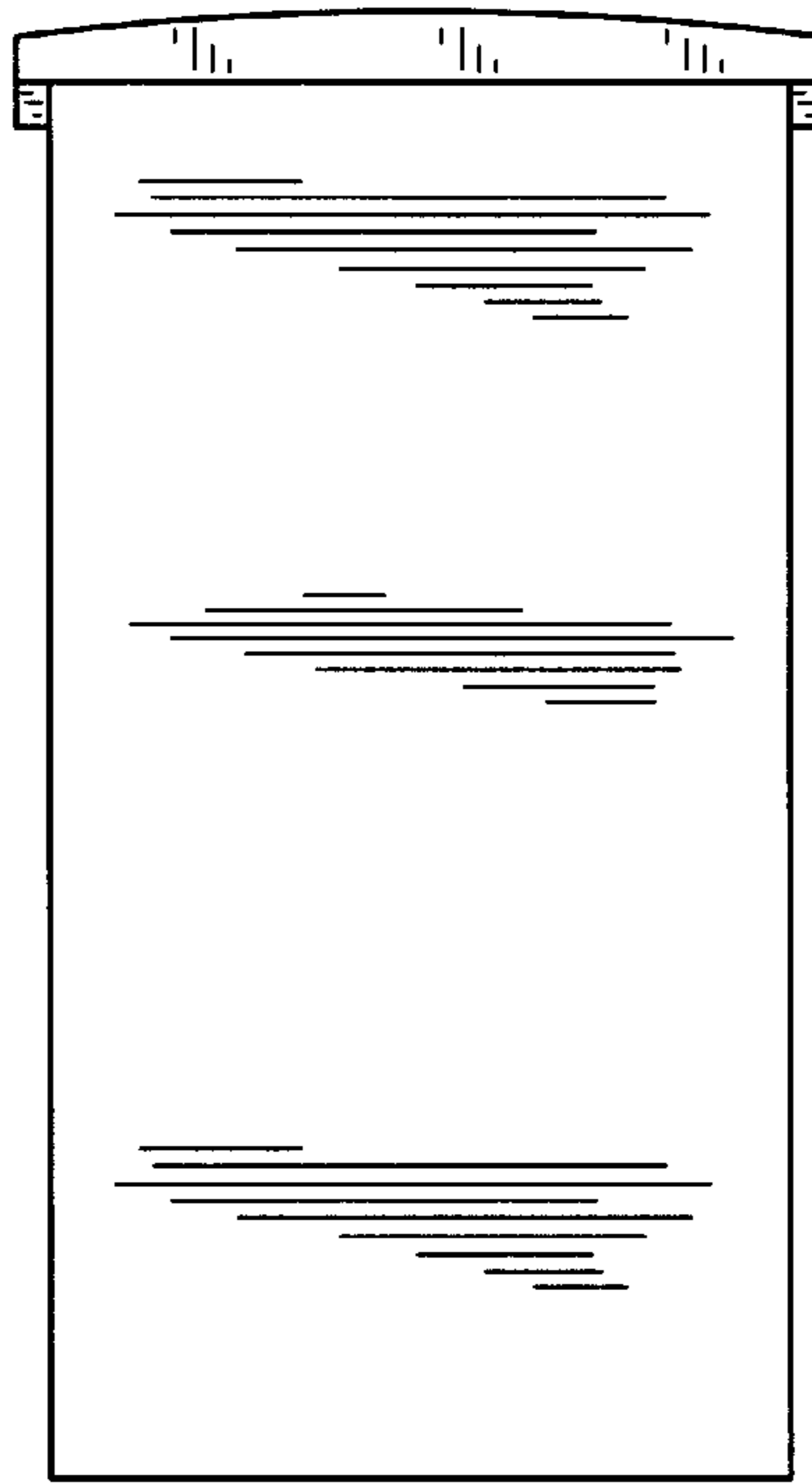


FIG. 5

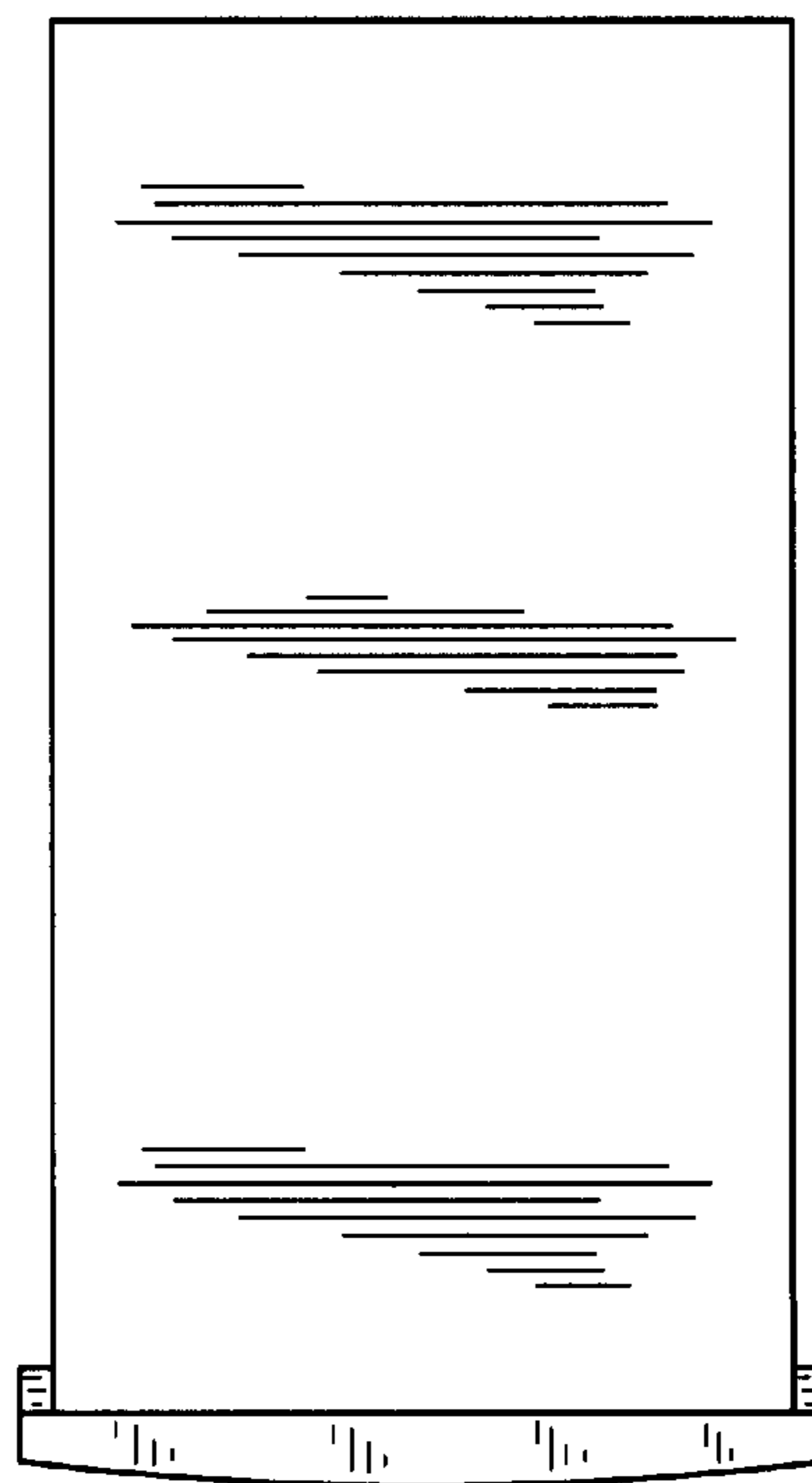


FIG. 6

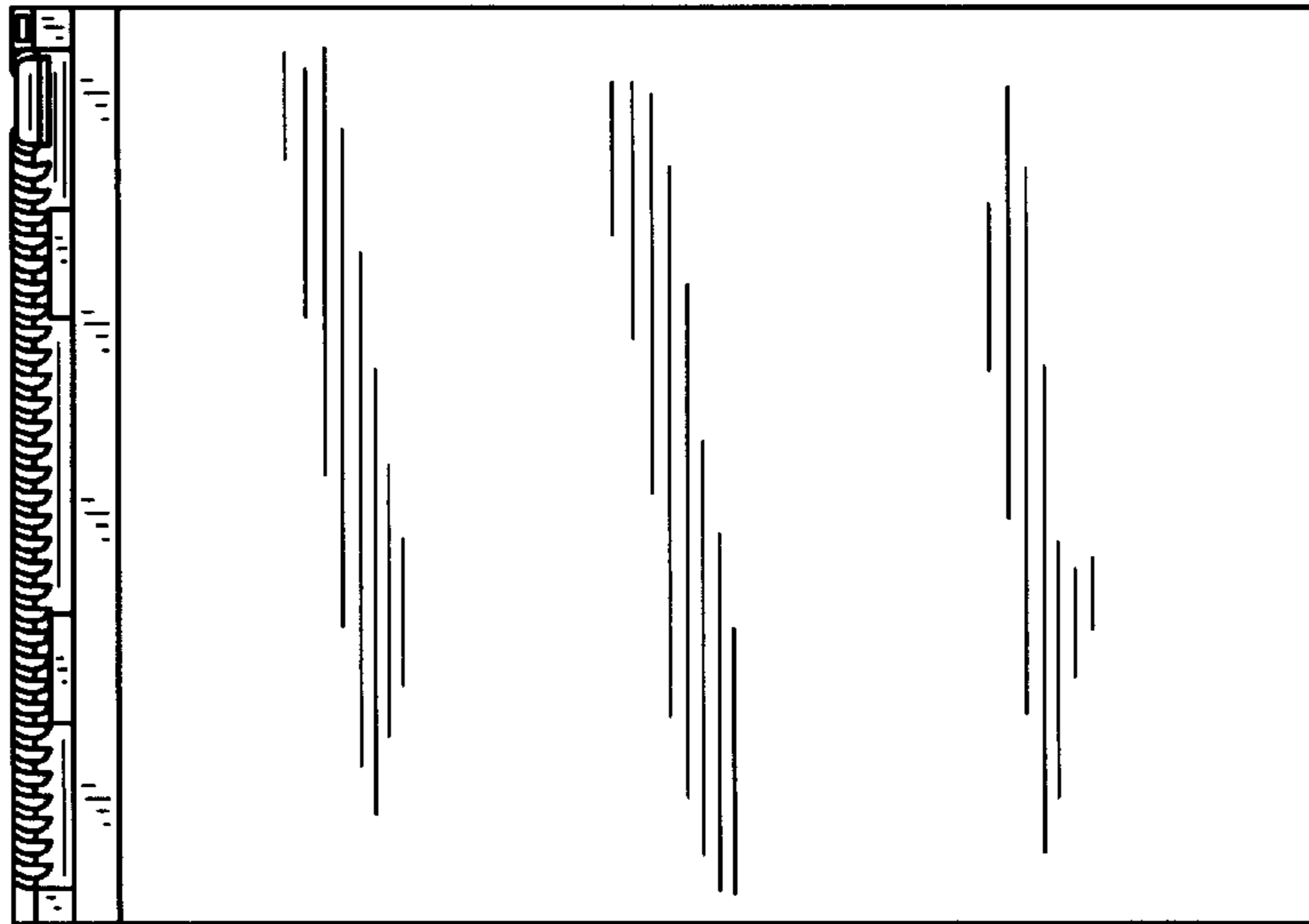


FIG. 7

