



US00D484499S

(12) **United States Design Patent**
Gustafson et al.

(10) **Patent No.:** **US D484,499 S**

(45) **Date of Patent:** **** Dec. 30, 2003**

(54) **PHONOGRAPH CARTRIDGE**

4,776,212 A * 10/1988 Parsons et al. 73/105
D444,147 S * 6/2001 O'Donnell D14/263

(75) Inventors: **Zachary N. Gustafson**, Winnetka, IL (US); **Curtis L. Cruver, IV**, Elmhurst, IL (US)

* cited by examiner

Primary Examiner—Nanda Bondade
(74) *Attorney, Agent, or Firm*—Banner & Witcoff, Ltd.

(73) Assignee: **Shure Incorporated**, Evanston, IL (US)

(**) Term: **14 Years**

(57) **CLAIM**

(21) Appl. No.: **29/166,601**

The ornamental design for a phonograph cartridge, as shown and described.

(22) Filed: **Aug. 30, 2002**

DESCRIPTION

(51) **LOC (7) Cl.** **14-01**

FIG. 1 is an isometric view of the phonograph cartridge design;

(52) **U.S. Cl.** **D14/263**

FIG. 2 is a top view thereof;

(58) **Field of Search** D14/199, 261-164;
73/105; 369/170-171, 177, 249, 256, 270;
381/97-98

FIG. 3 is a front view thereof;

FIG. 4 is a right side view thereof;

FIG. 5 is a bottom view thereof;

FIG. 6 is a rear view thereof; and,

FIG. 7 is a left side view thereof.

(56) **References Cited**

U.S. PATENT DOCUMENTS

The broken line showing on FIGS. 1-7 is for illustrative purposes only and forms no part of the claimed design.

D162,697 S * 3/1951 Stevens D14/262
4,325,132 A * 4/1982 Kuehn 369/256
D274,810 S * 7/1984 Jones et al. D14/263

1 Claim, 3 Drawing Sheets

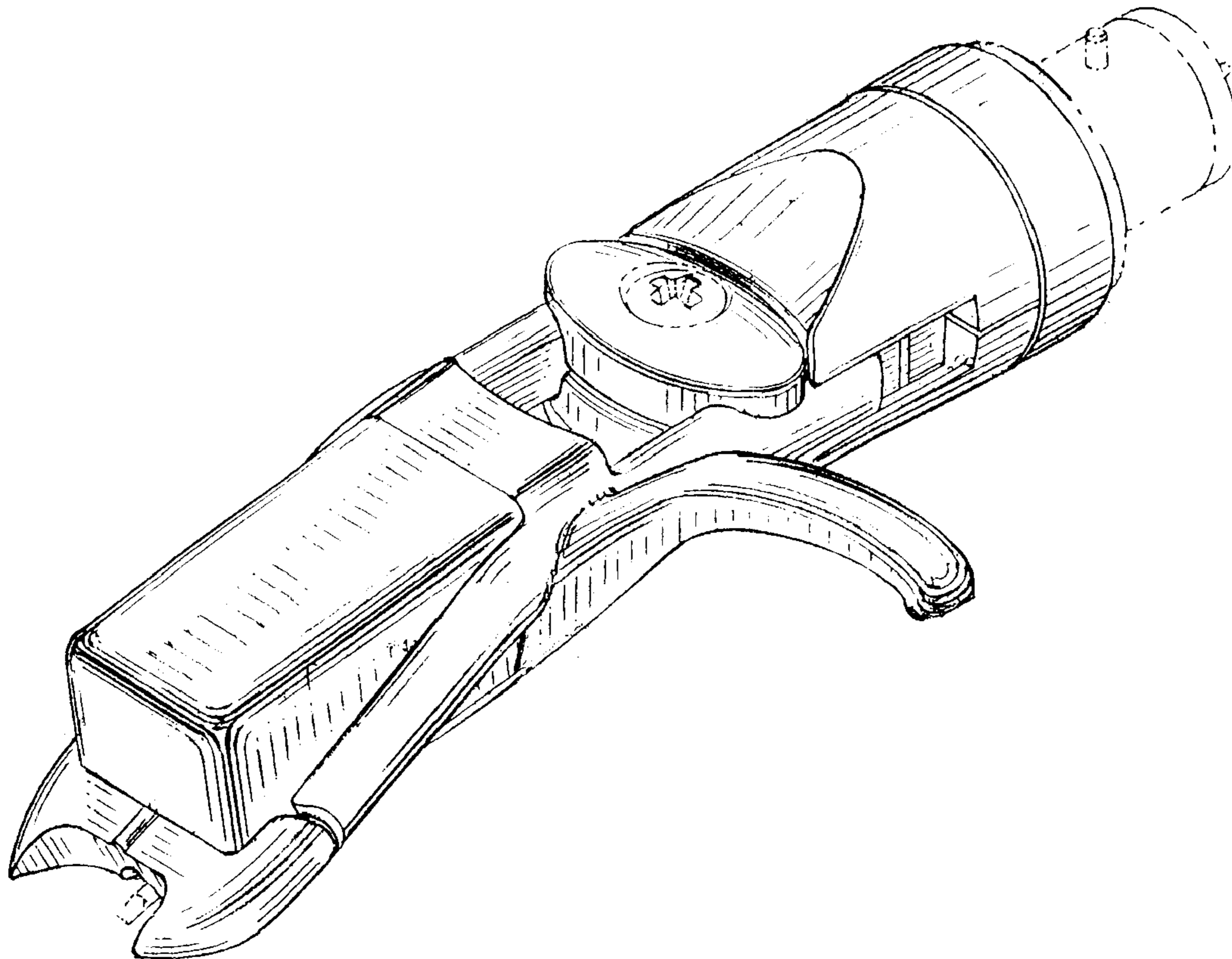


FIG. 1

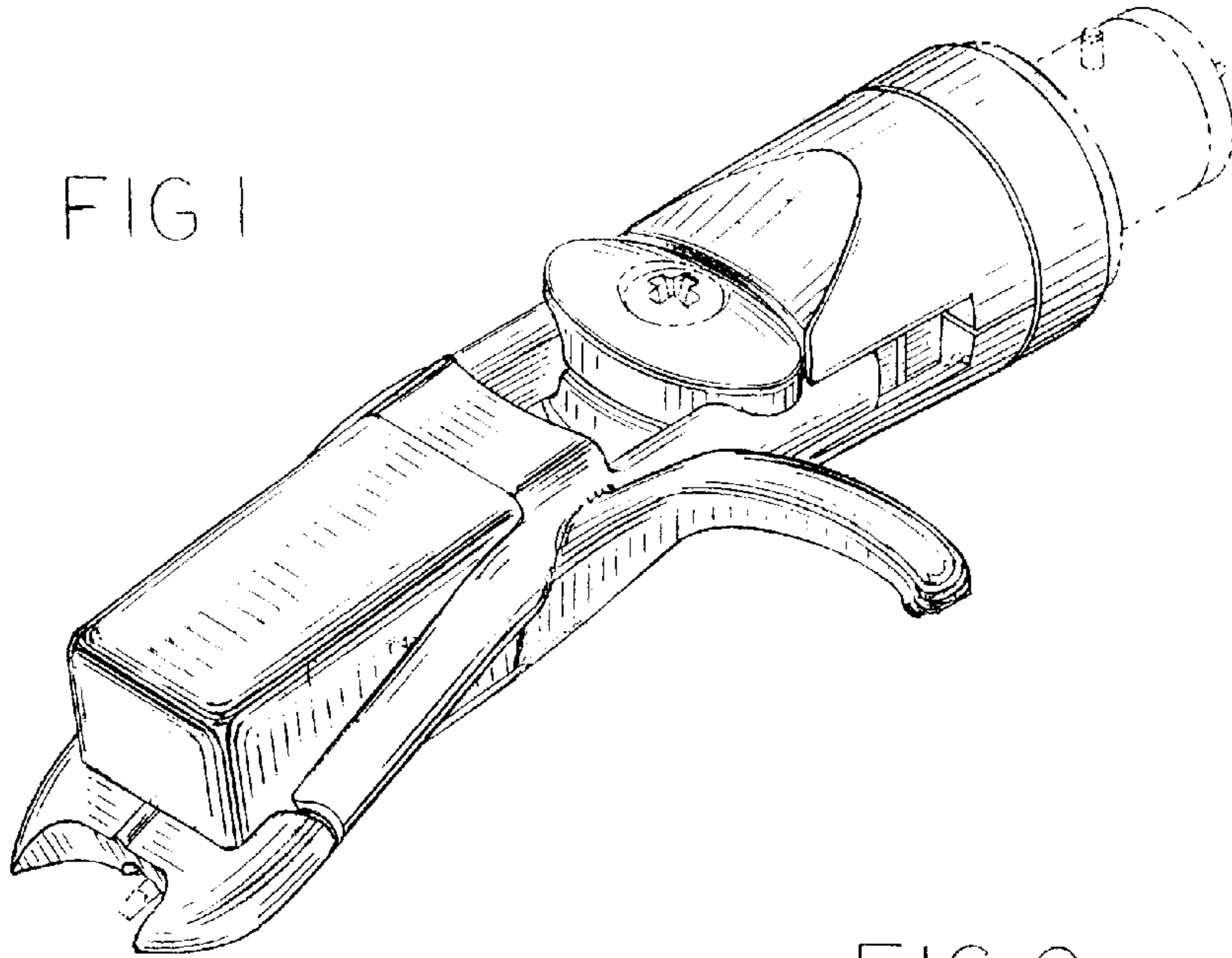


FIG. 2

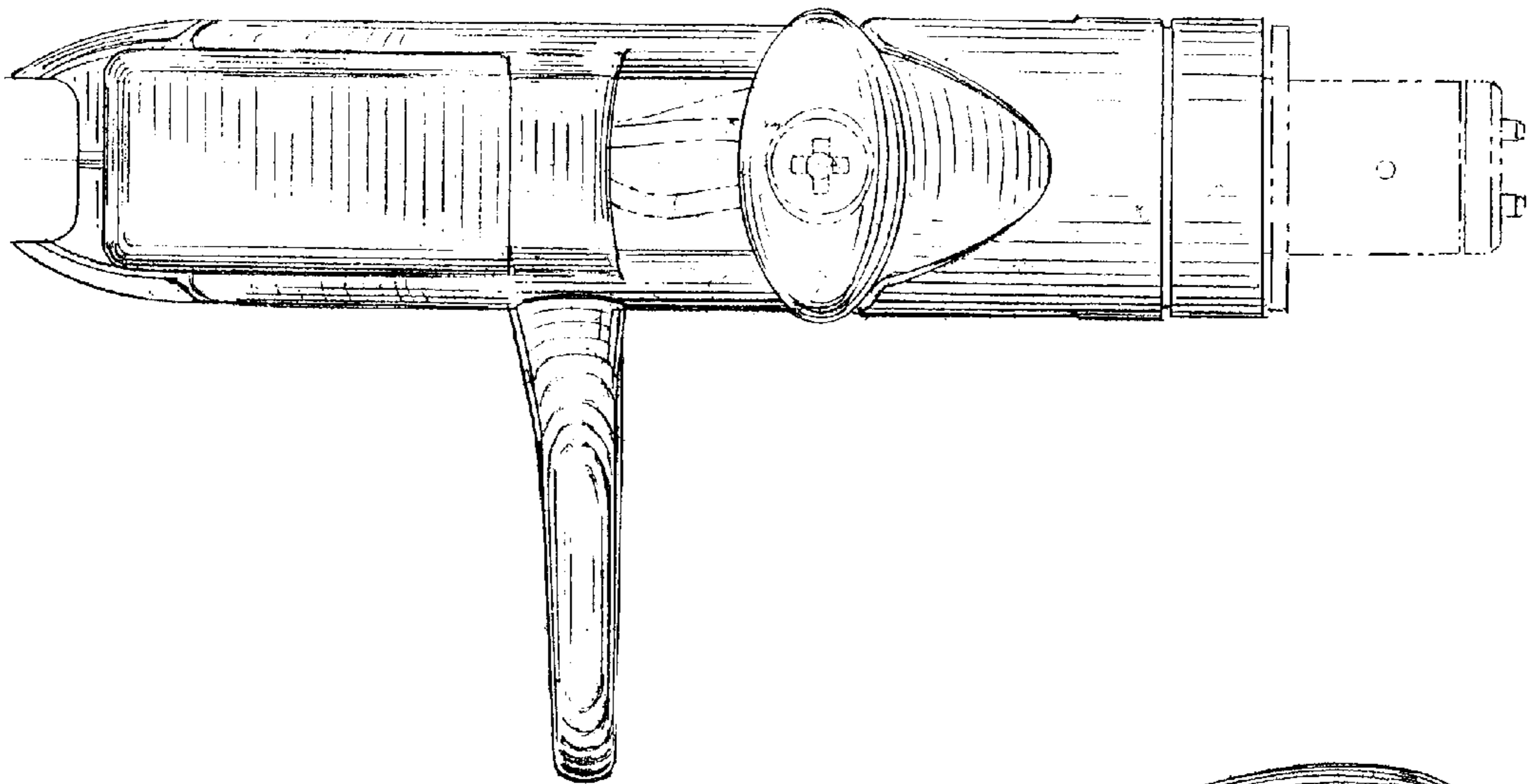


FIG. 3

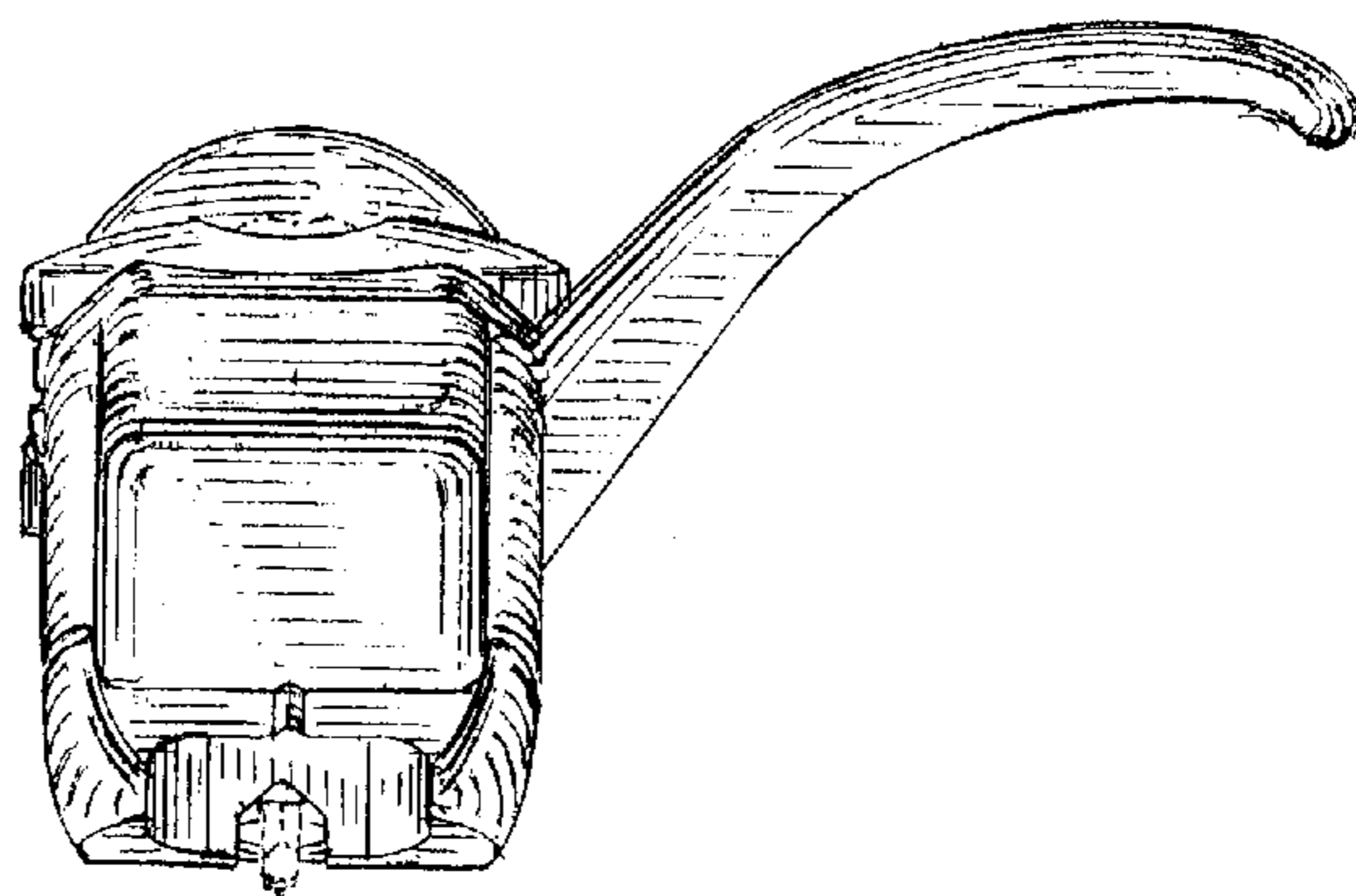


FIG. 4

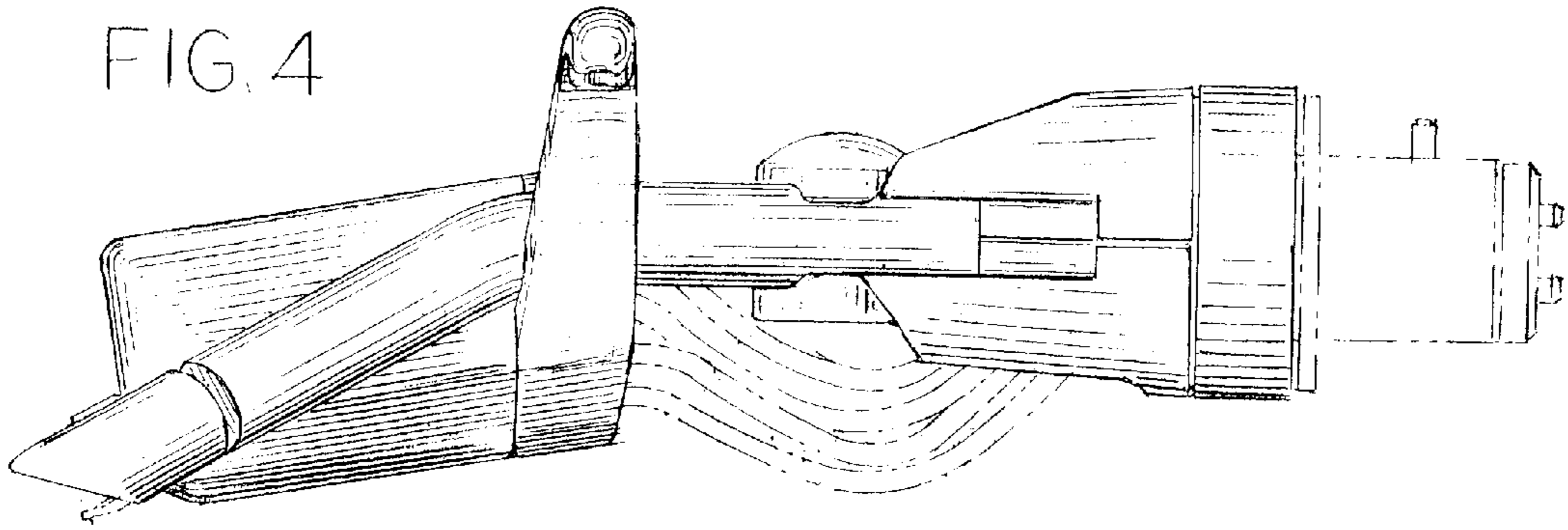


FIG. 5

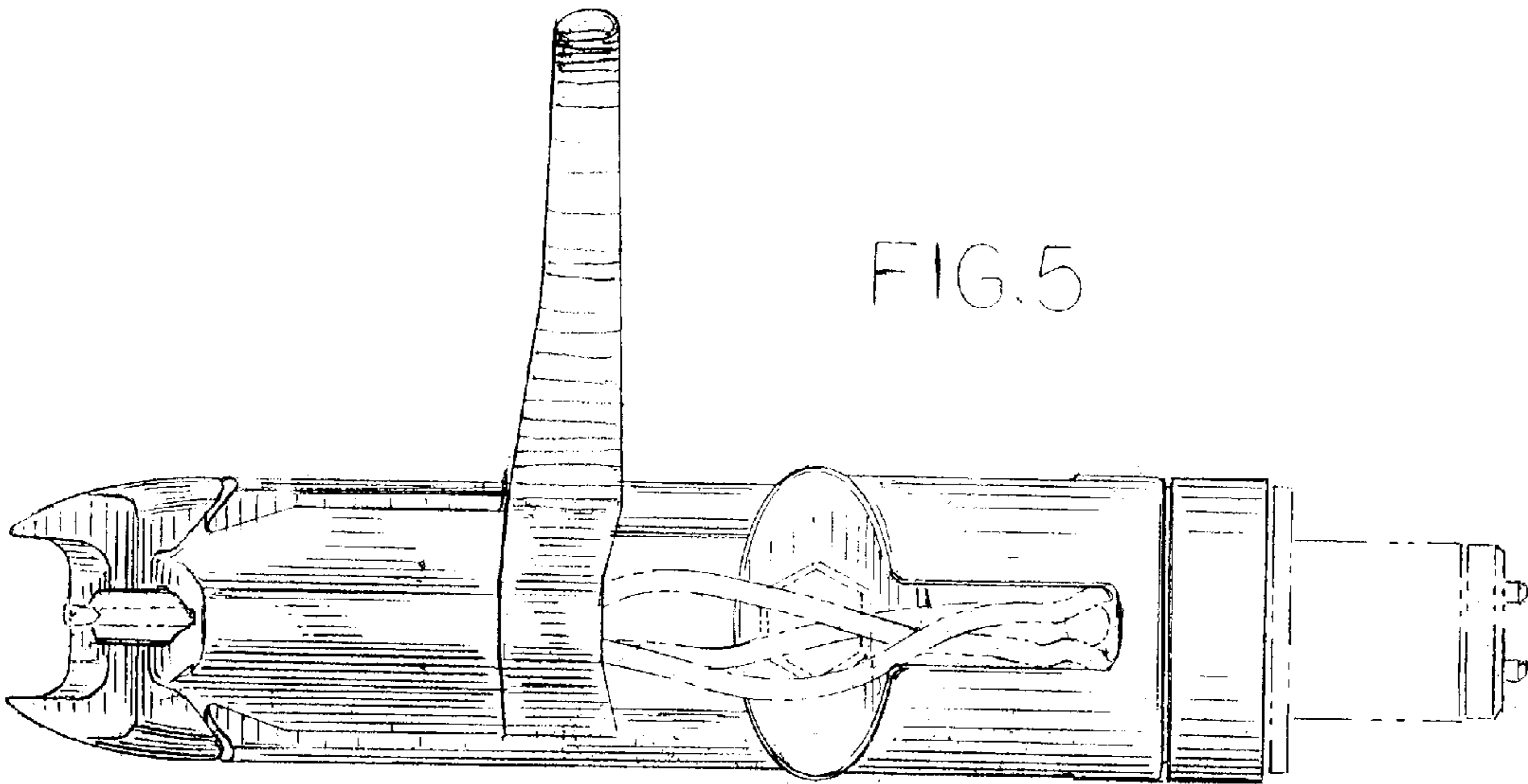
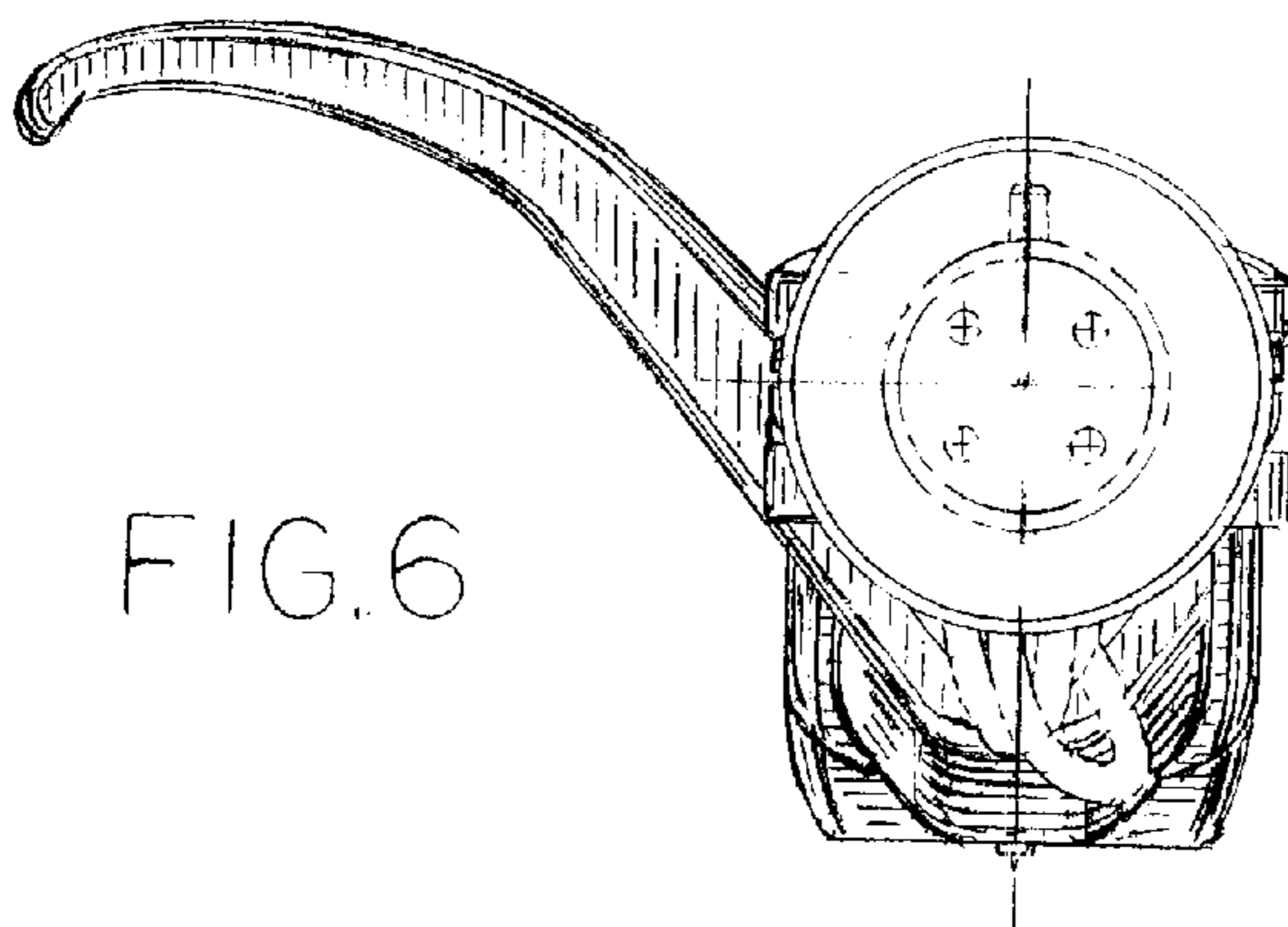


FIG. 6



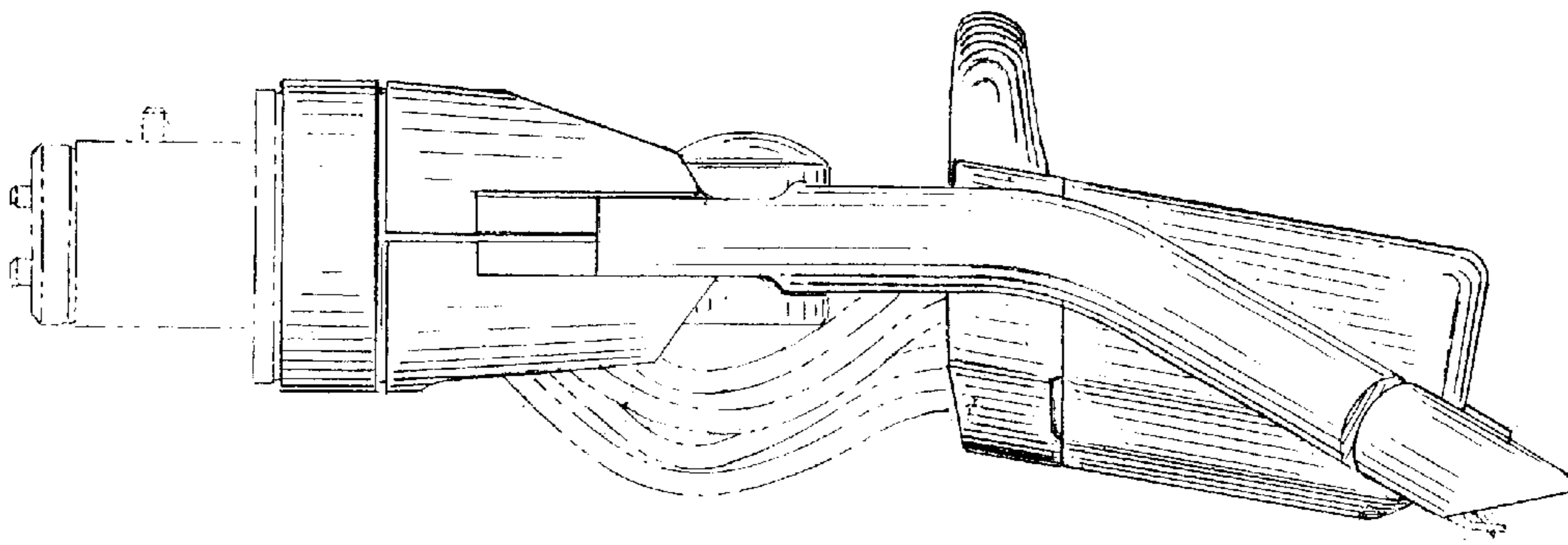


FIG. 7

UNITED STATES PATENT AND TRADEMARK OFFICE
CERTIFICATE OF CORRECTION

PATENT NO. : Des. 484,499 S
DATED : December 30, 2003
INVENTOR(S) : Gustafson et al.

Page 1 of 4

It is certified that error appears in the above-identified patent and that said Letters Patent is hereby corrected as shown below:

Drawings,
Figures 1-7 should be replaced with the following:

Signed and Sealed this

Seventeenth Day of August, 2004

A handwritten signature in black ink that reads "Jon W. Dudas". The signature is written in a cursive style with a large, looped initial "J".

JON W. DUDAS
Acting Director of the United States Patent and Trademark Office

FIG.1

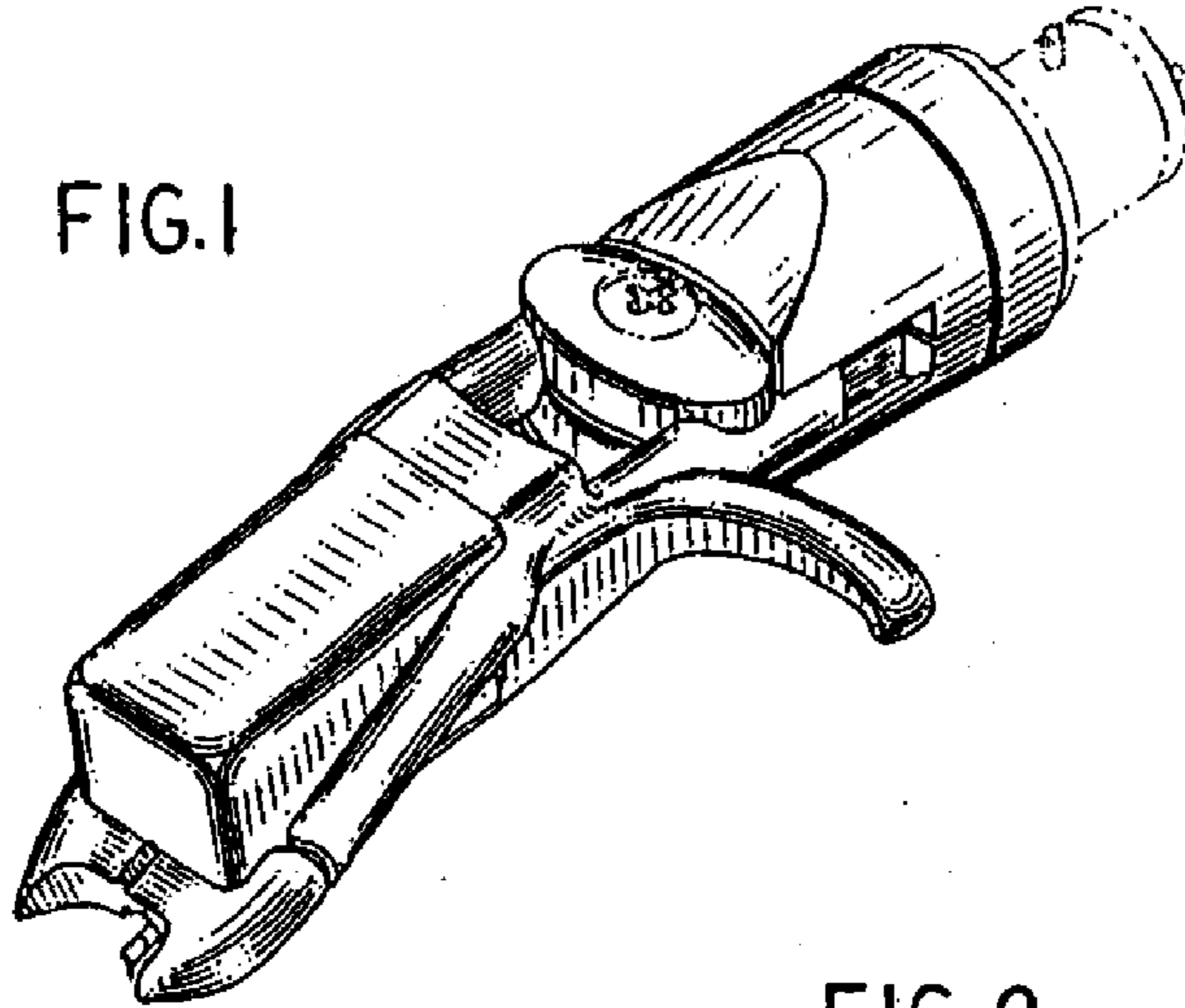


FIG.2

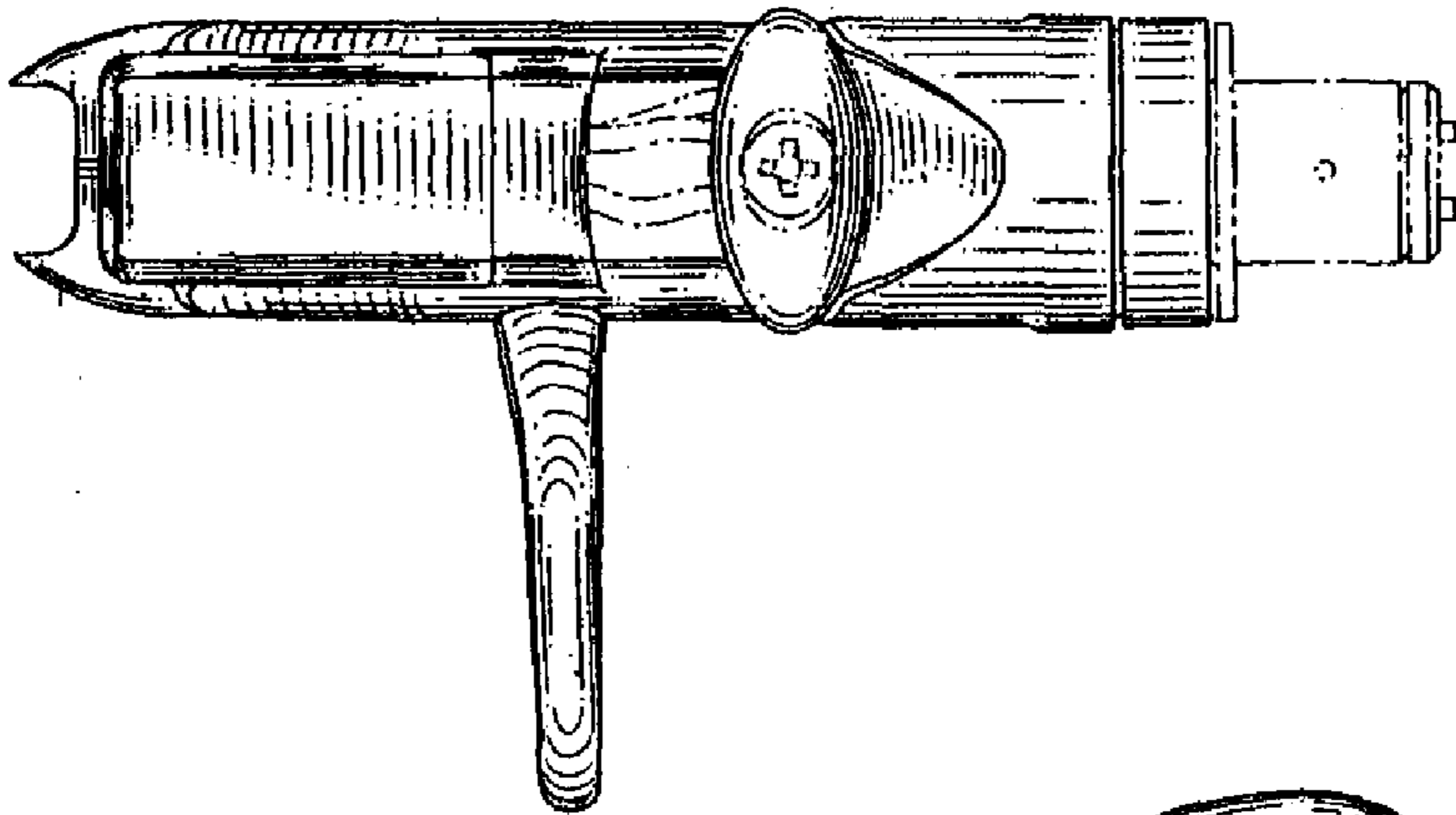


FIG.3

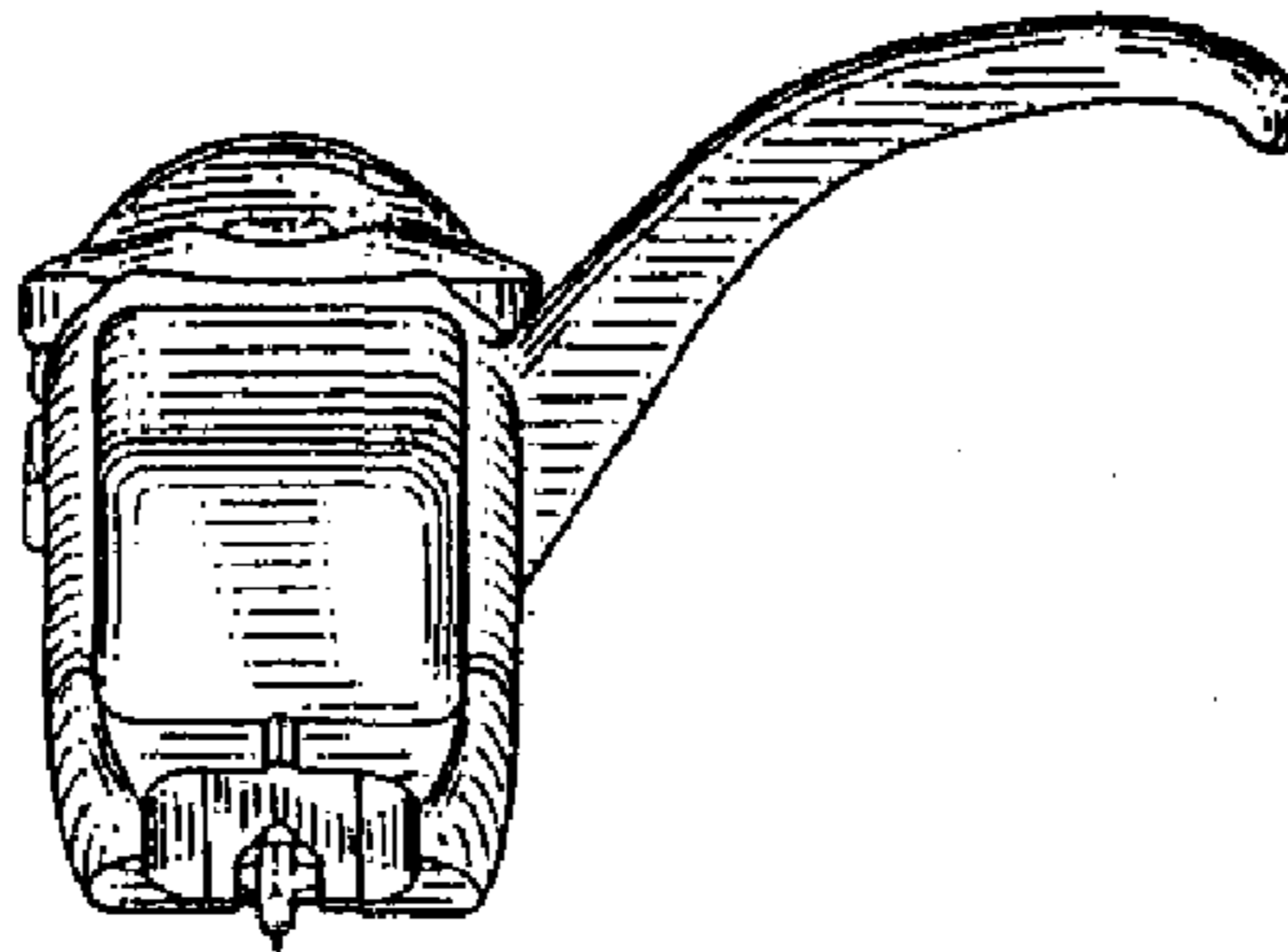


FIG. 4

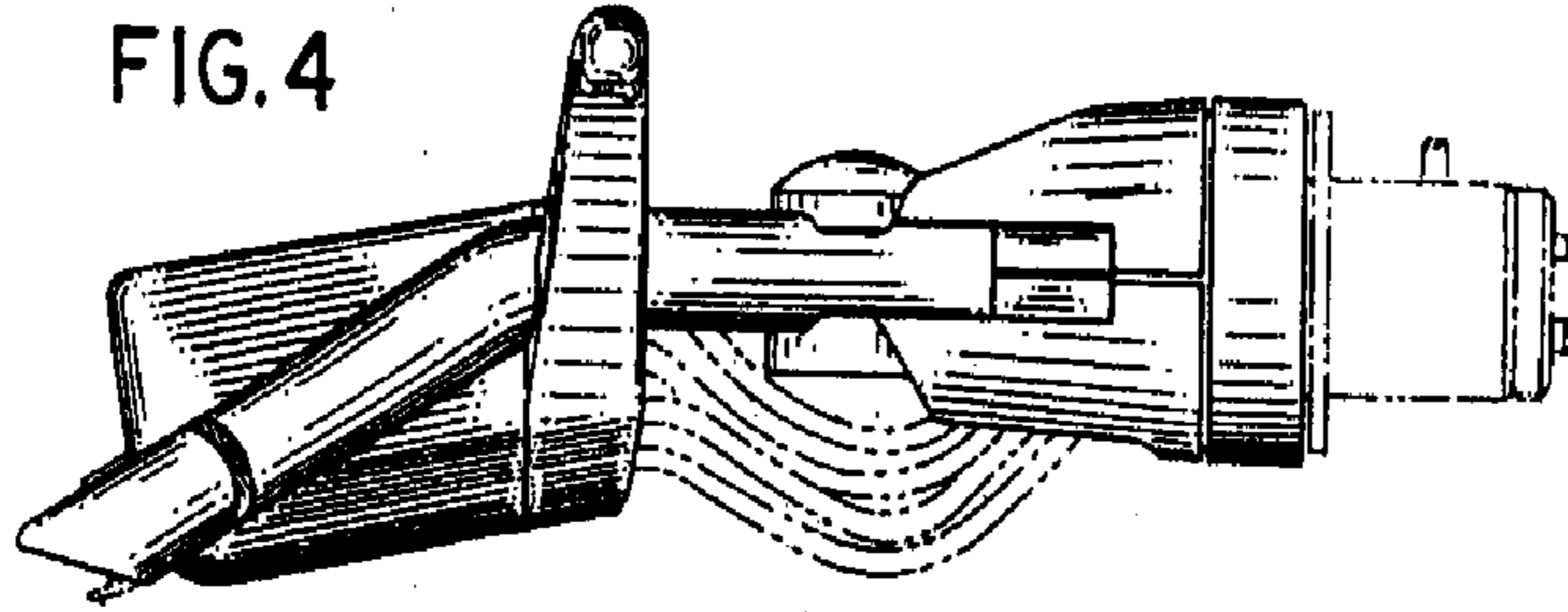


FIG. 5

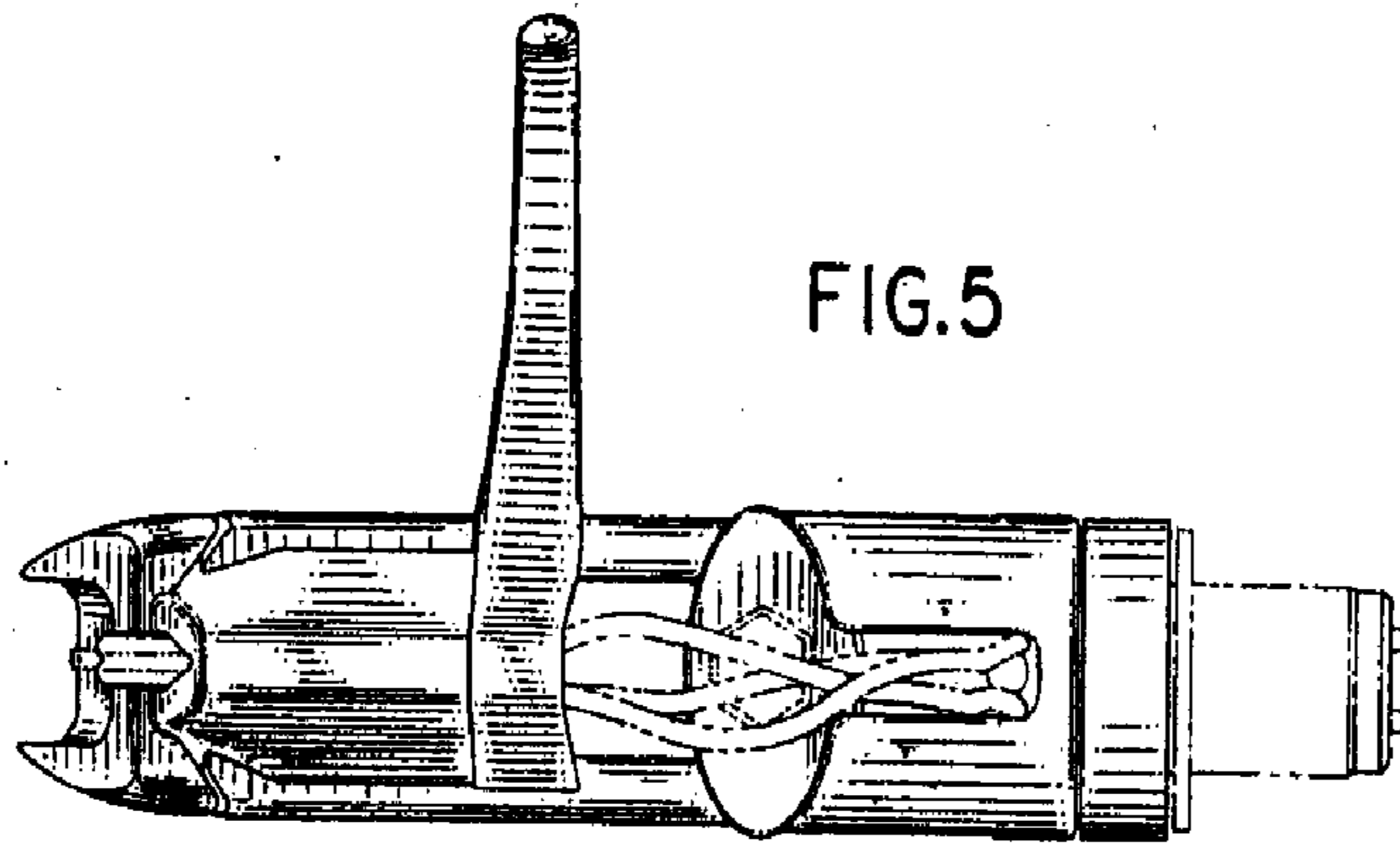
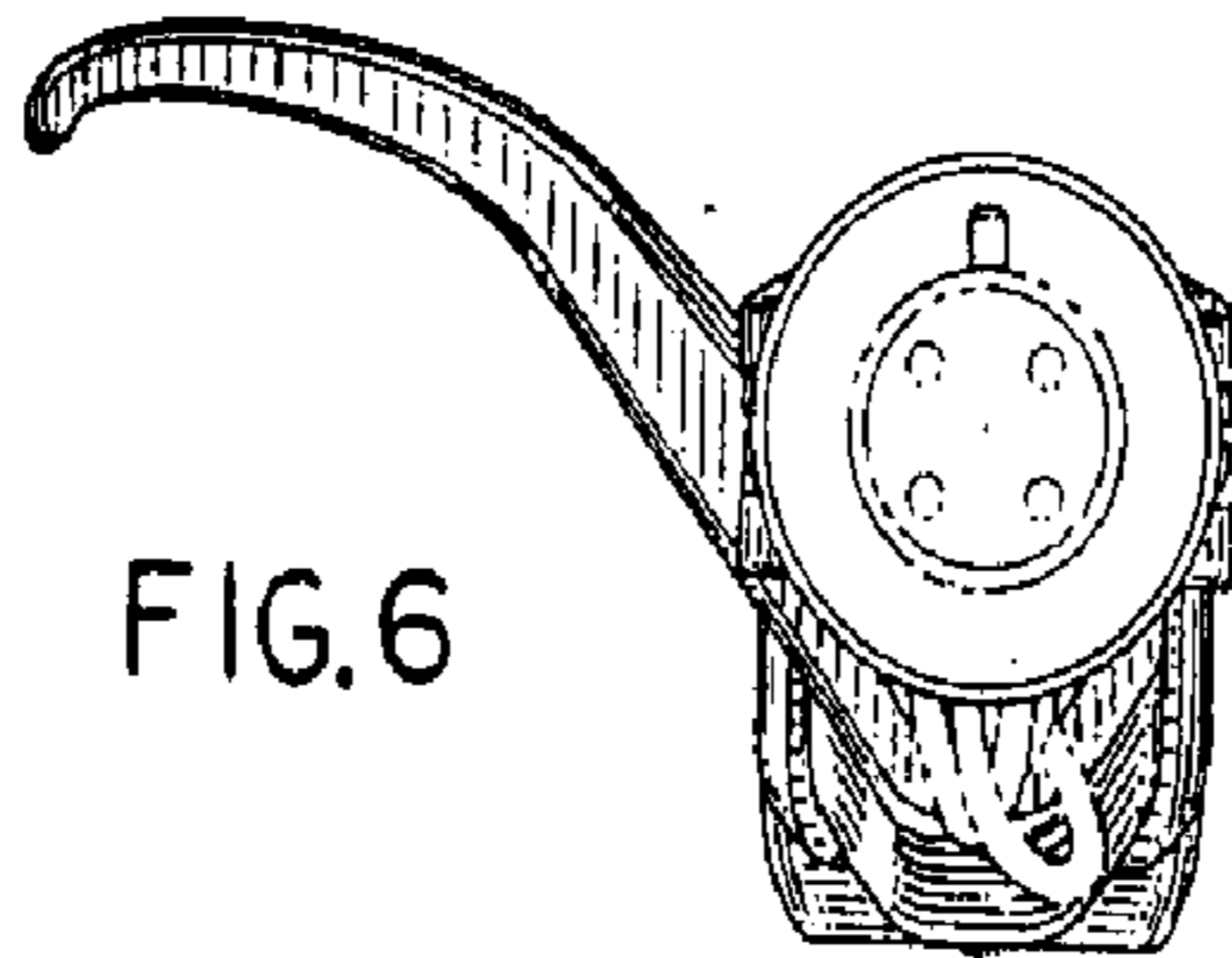


FIG. 6



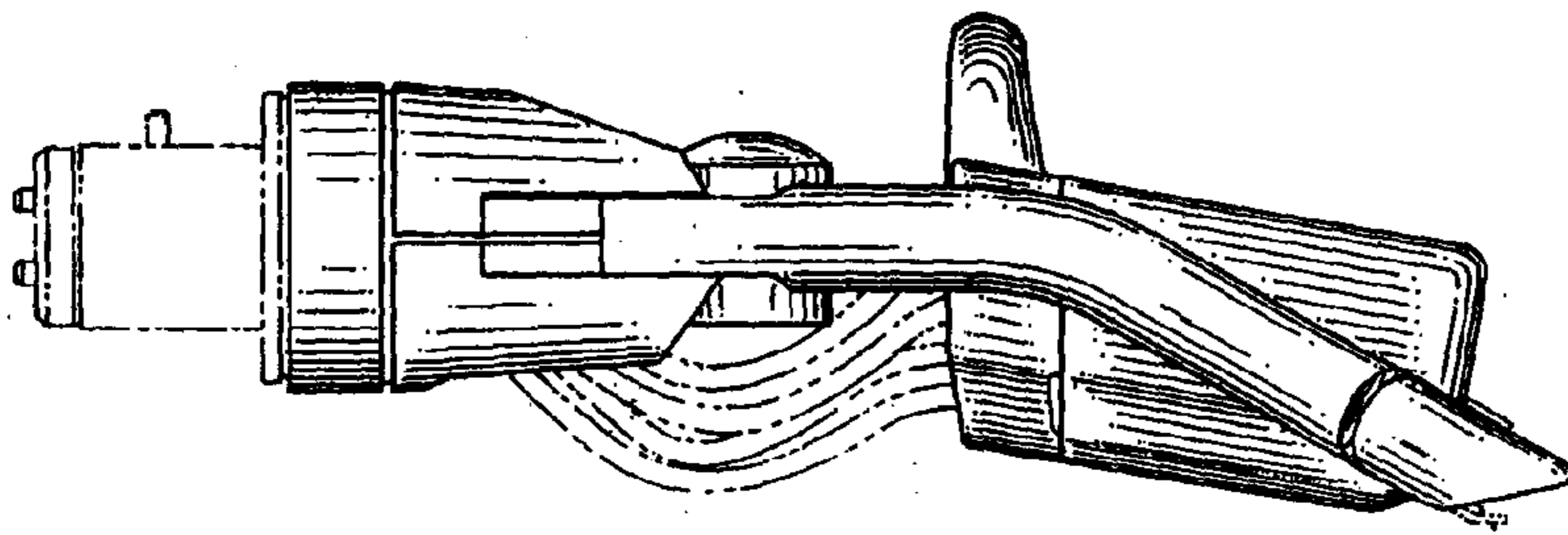


FIG. 7