



US00D484497S

(12) **United States Design Patent**  
**Alviar et al.**

(10) **Patent No.:** **US D484,497 S**

(45) **Date of Patent:** **\*\* Dec. 30, 2003**

(54) **HOUSING FOR A DATA ROUTER**

D475,369 S \* 6/2003 Bone et al. .... D14/301

(75) Inventors: **Christopher G. Alviar**, Seattle, WA  
(US); **Chris A. Murzanski**, Issaquah,  
WA (US)

\* cited by examiner

*Primary Examiner*—Charles A. Rademaker  
(74) *Attorney, Agent, or Firm*—Banner & Witcoff, Ltd.

(73) Assignee: **Microsoft Corporation**, Redmond, WA  
(US)

(57) **CLAIM**

(\*\*) Term: **14 Years**

The ornamental design for a housing for a data router, as shown and described.

(21) Appl. No.: **29/167,571**

**DESCRIPTION**

(22) Filed: **Sep. 18, 2002**

FIG. 1 is a first perspective view of a housing for a data router showing our new design;

(51) **LOC (7) Cl.** ..... **14-03**

FIG. 2 is a second perspective view thereof;

(52) **U.S. Cl.** ..... **D14/240**

FIG. 3 is a left side view thereof;

(58) **Field of Search** ..... D14/240, 217,  
D14/140, 299, 257, 301, 356; 333/109,  
110; 379/347, 413.02; 439/717, 74; D13/184

FIG. 4 is a right side view thereof;

FIG. 5 is a front view thereof;

FIG. 6 is a rear view thereof;

FIG. 7 is a top view thereof; and,

FIG. 8 is a bottom view thereof.

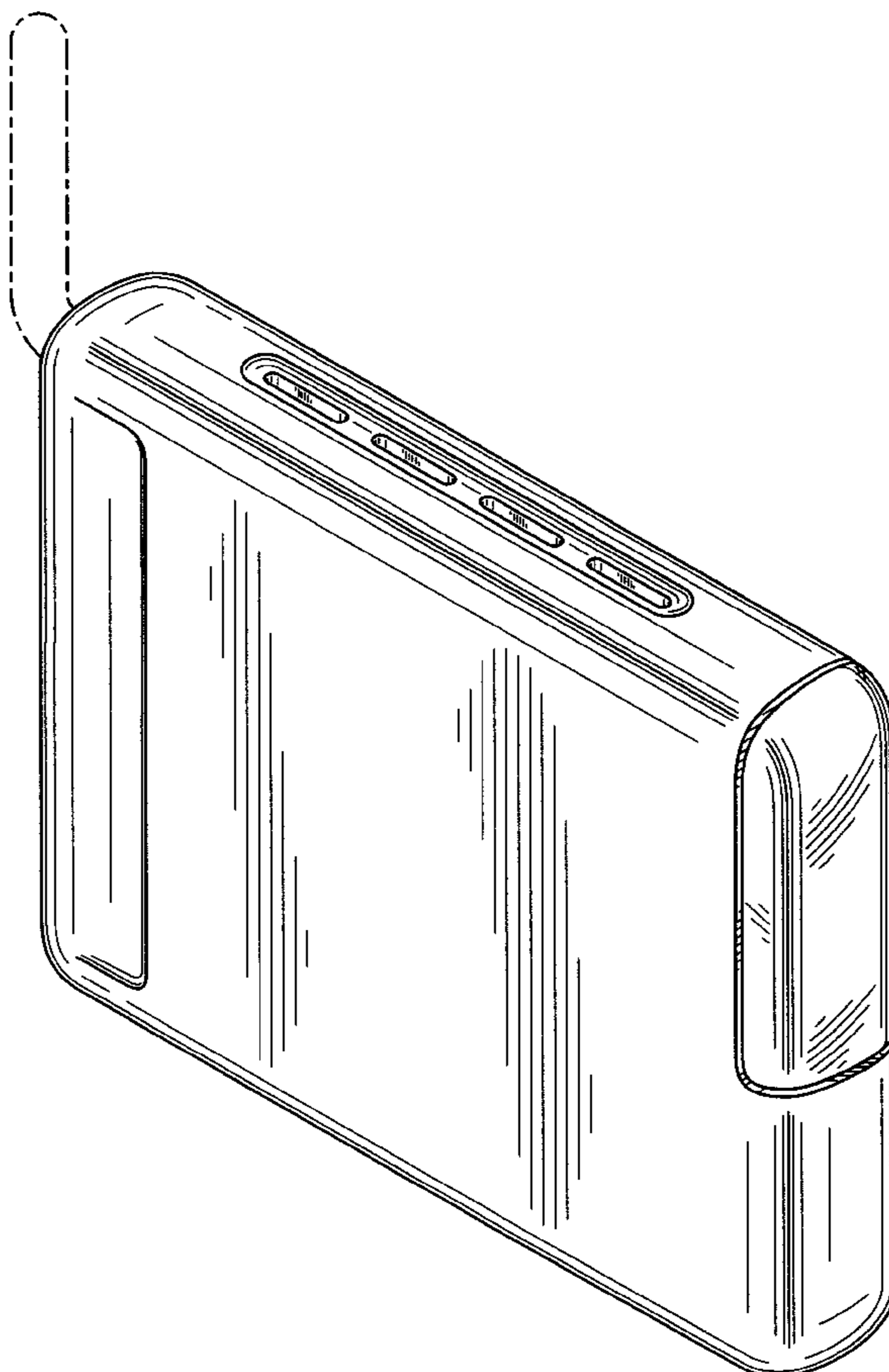
(56) **References Cited**

The broken line showing of an antenna and the regions on the bottom and rear of the housing, including the unshaded areas within the broken line regions, is for illustrative purposes only and forms no part of the claimed design.

**U.S. PATENT DOCUMENTS**

D351,841 S \* 10/1994 Blankenship et al. .... D14/242  
D358,380 S \* 5/1995 Sakaguchi ..... D14/357  
D363,722 S \* 10/1995 Aldridge et al. .... D14/242  
D373,125 S \* 8/1996 Khoo ..... D14/191

**1 Claim, 5 Drawing Sheets**



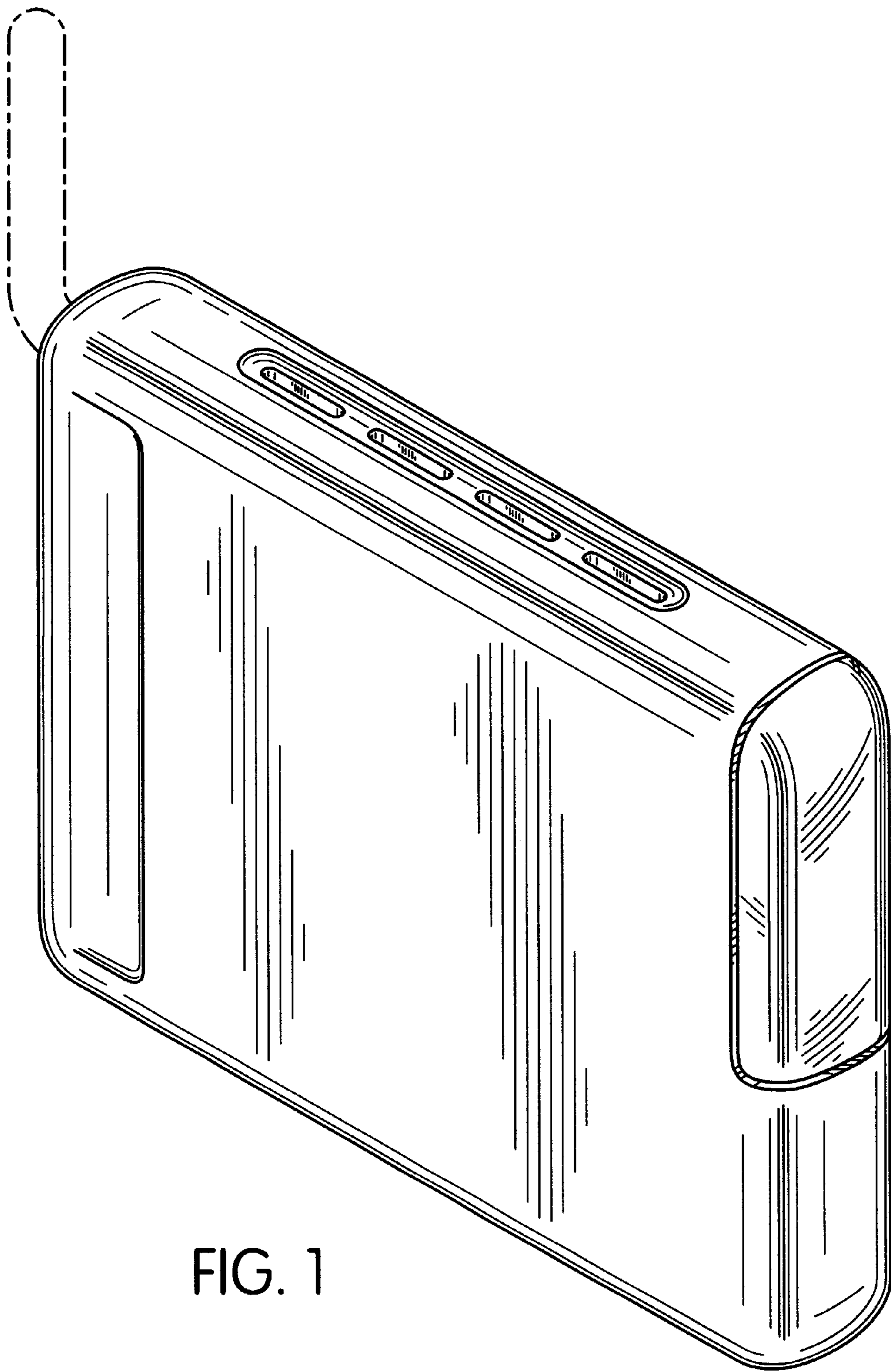


FIG. 1

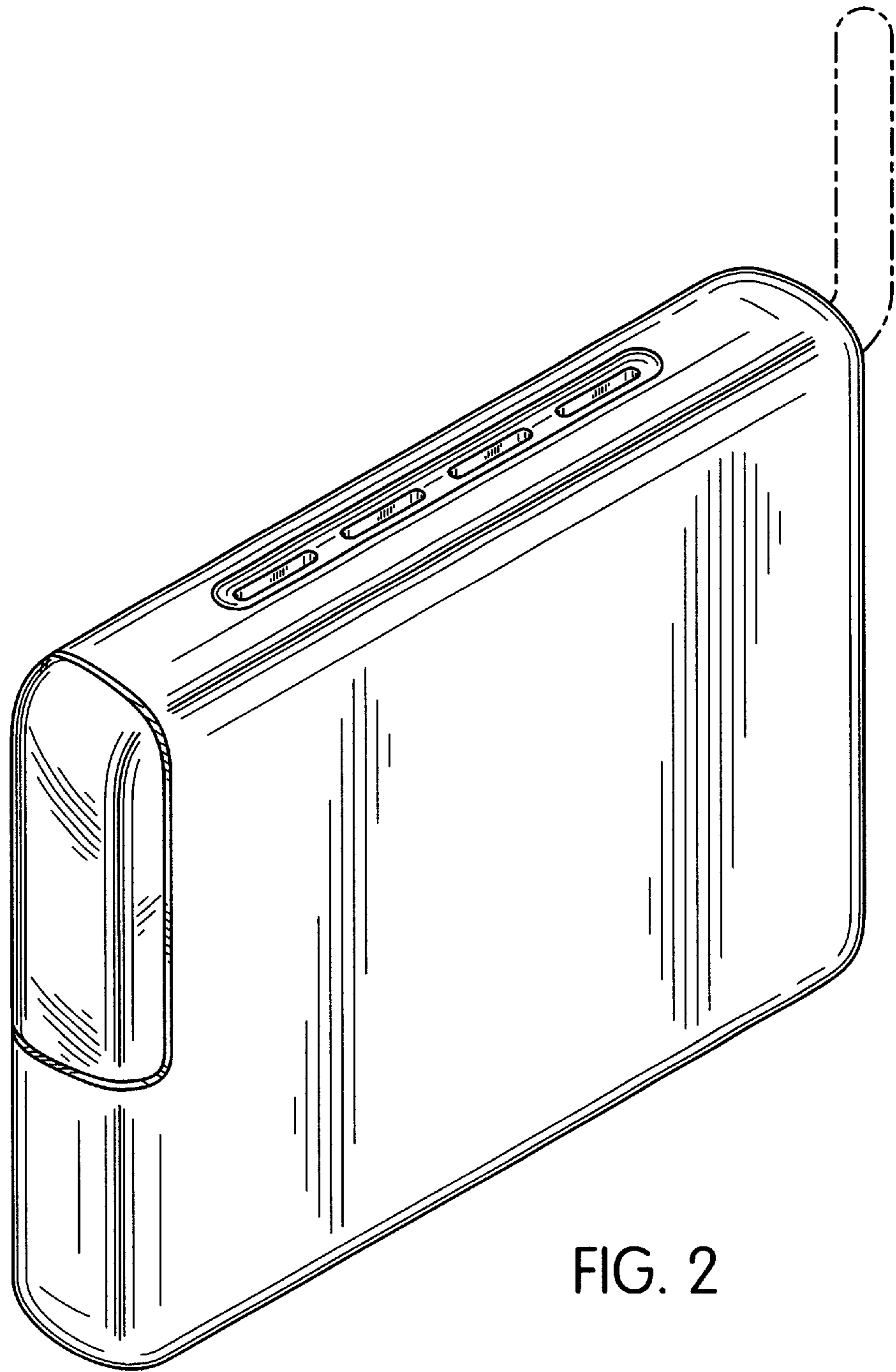


FIG. 2

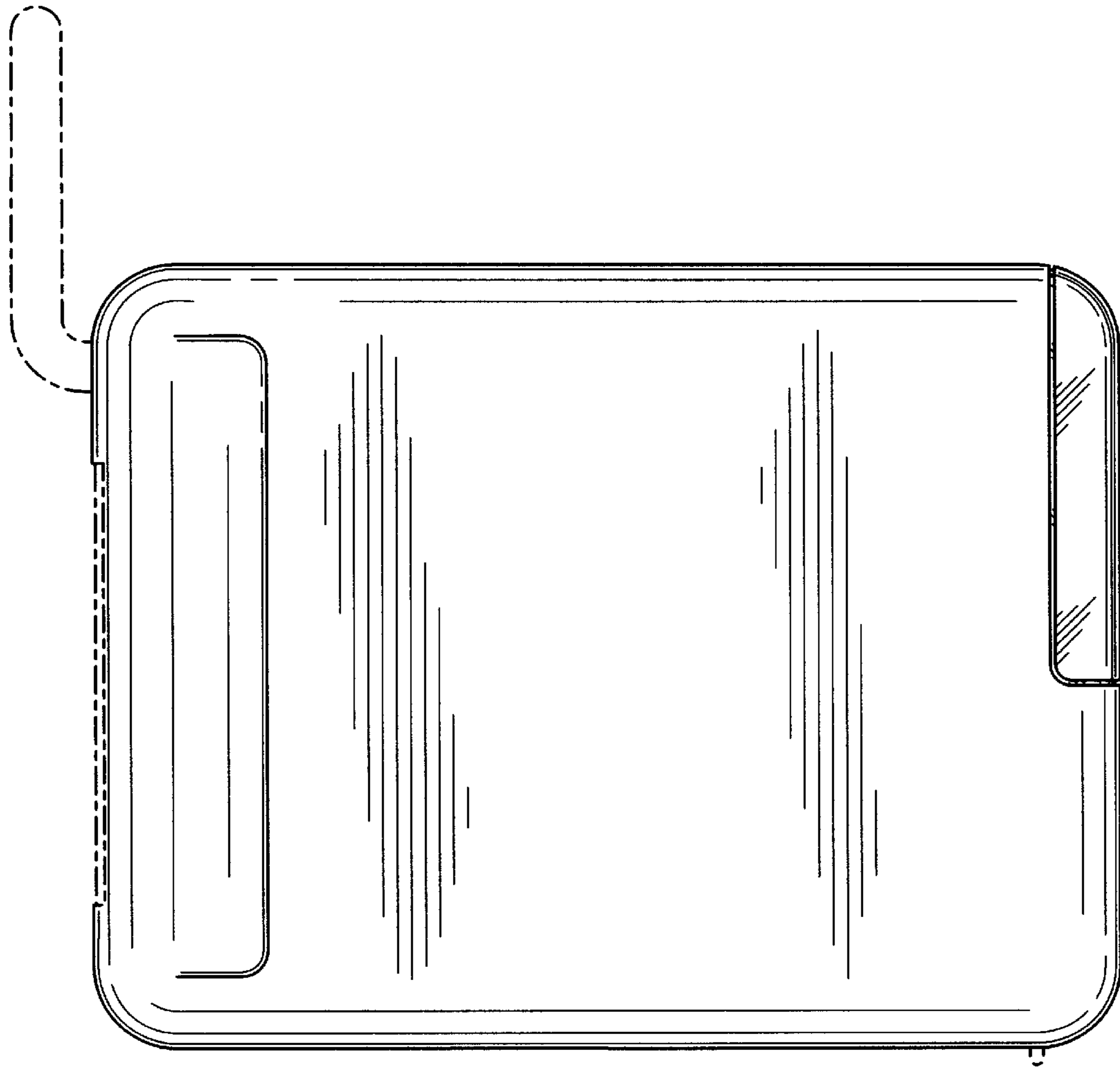


FIG. 3

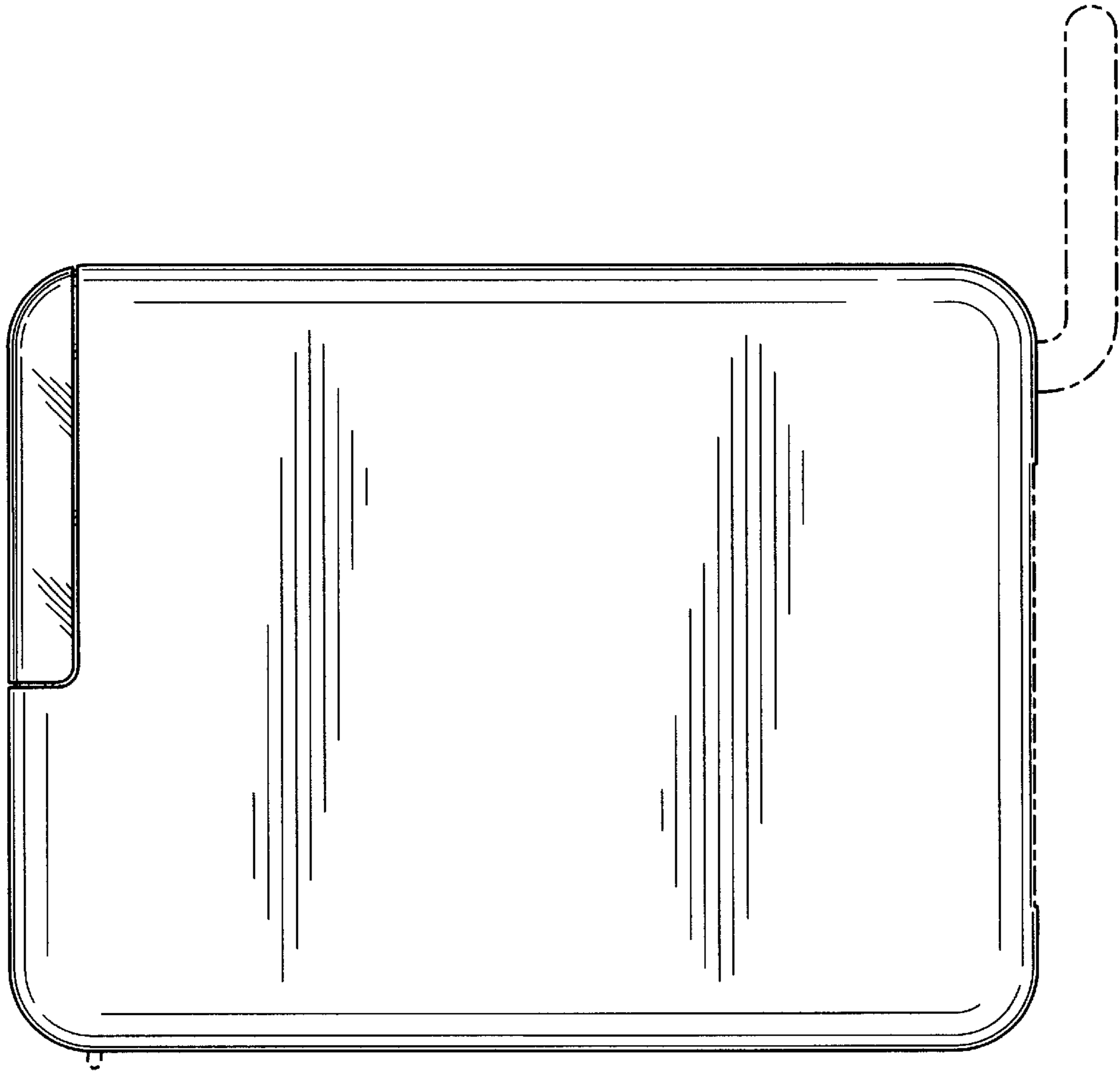


FIG. 4

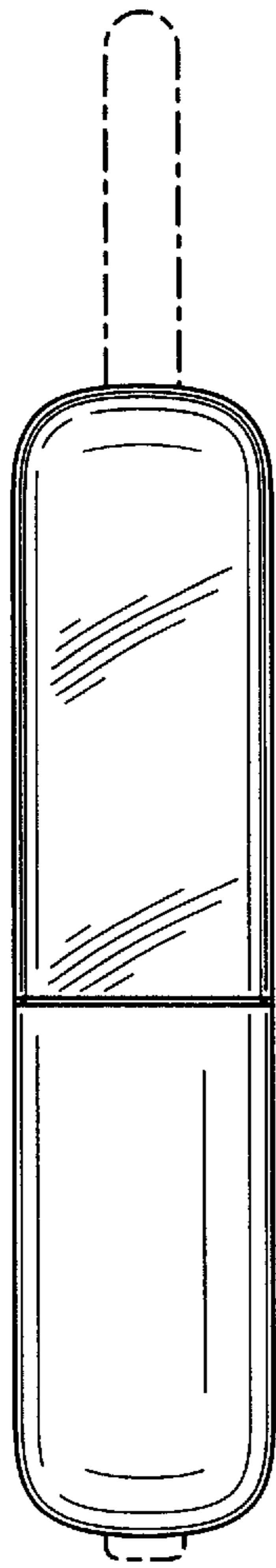


FIG. 5

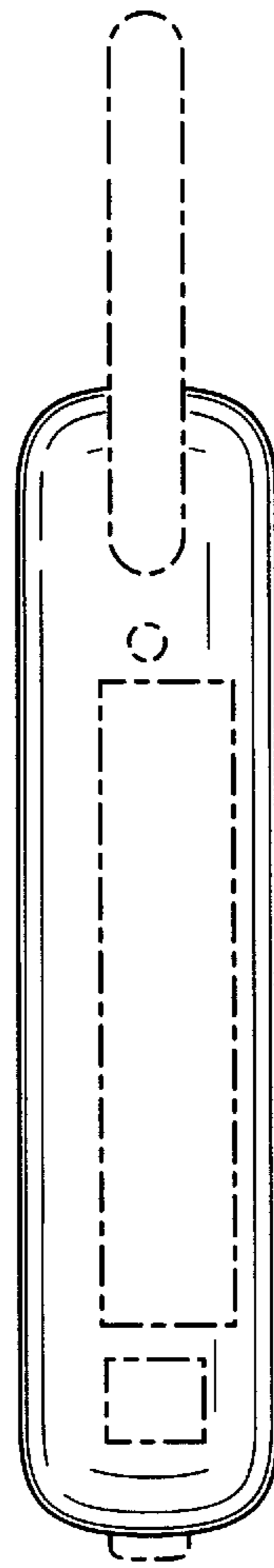


FIG. 6

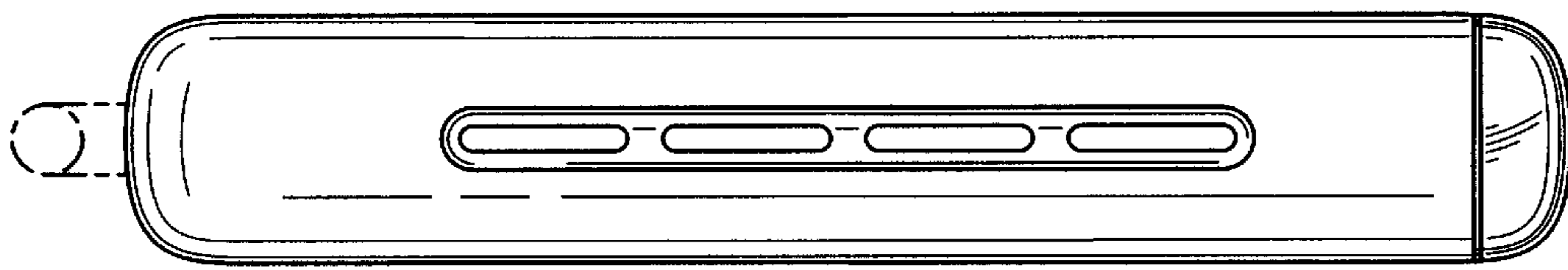


FIG. 7

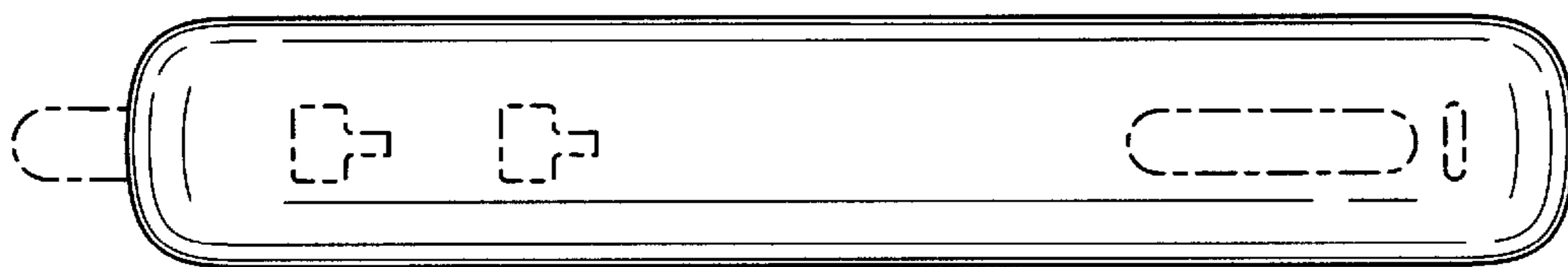


FIG. 8

UNITED STATES PATENT AND TRADEMARK OFFICE  
**CERTIFICATE OF CORRECTION**

PATENT NO. : Des. 484,497 S  
DATED : December 30, 2003  
INVENTOR(S) : Alviar et al.

Page 1 of 1

It is certified that error appears in the above-identified patent and that said Letters Patent is hereby corrected as shown below:

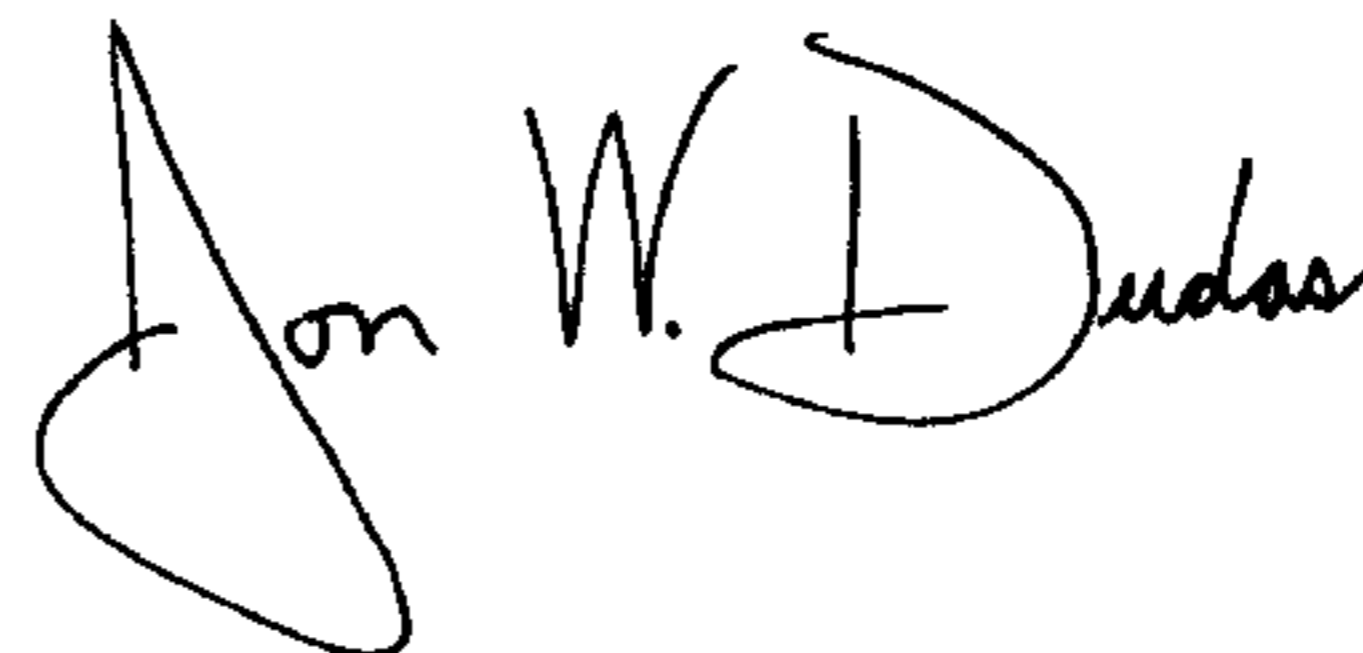
Title page,

Item [56], **References Cited**, U.S. PATENT DOCUMENTS, the following should be added:

-- D291,310 8/1987 Ogura  
D346,806 5/1994 Chong  
D357,906 5/1995 Fukushima  
D431,231 9/2000 Goto  
D475,370 6/2003 Bone et al. --; and please add the following:  
-- FOREIGN PATENT DOCUMENTS  
KR 30-0324332 --

Signed and Sealed this

Twenty-fourth Day of February, 2004



JON W. DUDAS  
*Acting Director of the United States Patent and Trademark Office*