



US00D484493S

(12) **United States Design Patent**
Oross et al.

(10) **Patent No.:** **US D484,493 S**

(45) **Date of Patent:** **** Dec. 30, 2003**

(54) **REMOTE CONTROL DEVICE**

(75) Inventors: **Glen A. Oross**, Corvallis, OR (US);
Peter On, Provo, UT (US)

(73) Assignee: **Hewlett-Packard Development Company, L.P.**, Houston, TX (US)

(**) Term: **14 Years**

(21) Appl. No.: **29/182,985**

(22) Filed: **Jun. 3, 2003**

(51) **LOC (7) Cl.** **14-03**

(52) **U.S. Cl.** **D14/218**

(58) **Field of Search** D14/174, 217,
D14/218, 137-139, 151, 191-193, 299,
167, 168; D13/168, 162-164; D21/512-517,
566; D10/104, 106; 455/352-355, 151.1-151.4;
348/114, 734

(56) **References Cited**

U.S. PATENT DOCUMENTS

D365,100 S * 12/1995 Farinelli et al. D14/218
D368,264 S * 3/1996 Laituri D14/218

D410,045 S * 5/1999 Fletcher D21/513
D465,213 S * 11/2002 Baumert et al. D14/218

* cited by examiner

Primary Examiner—Louis S. Zarfes

Assistant Examiner—Deanne Levy

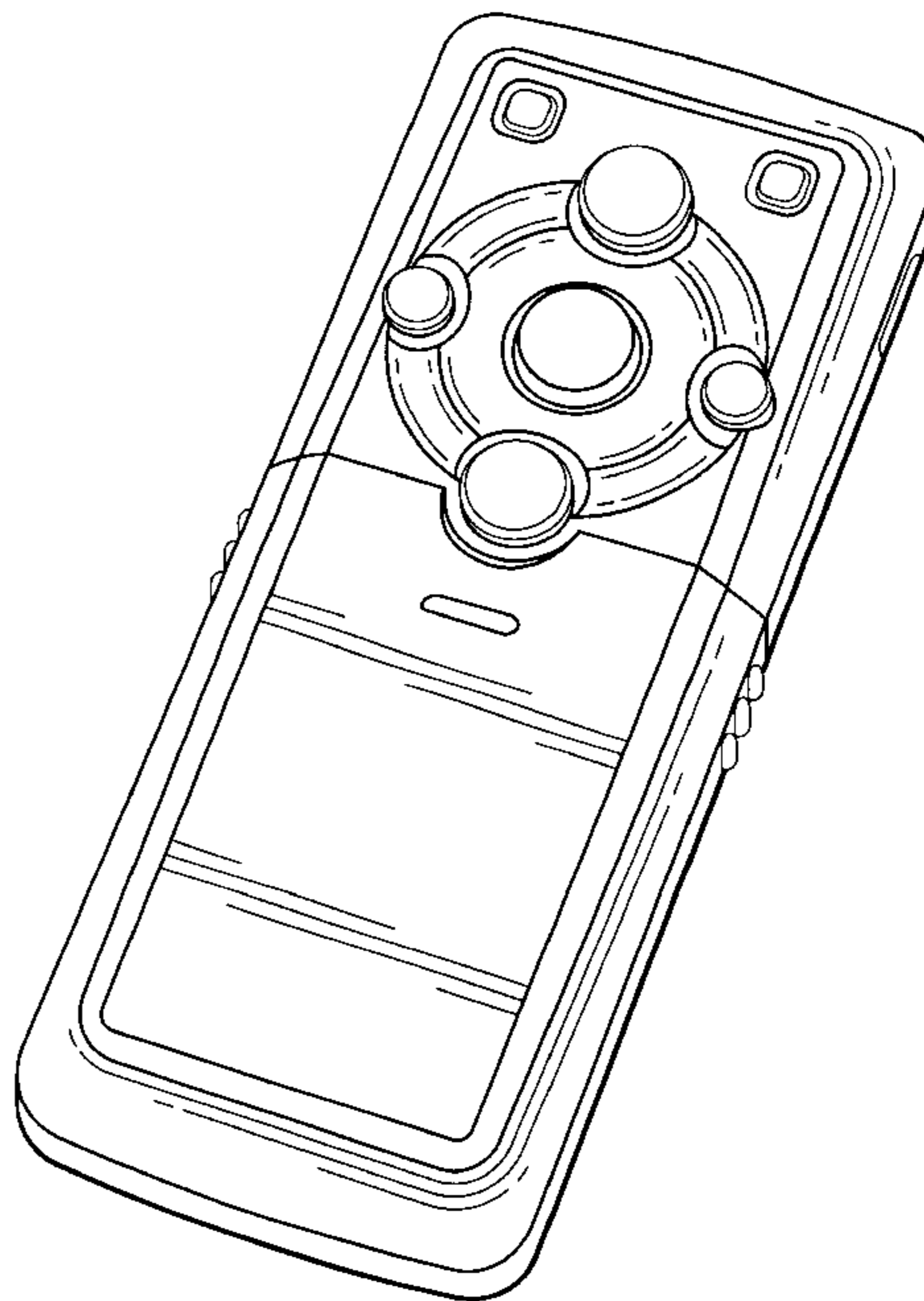
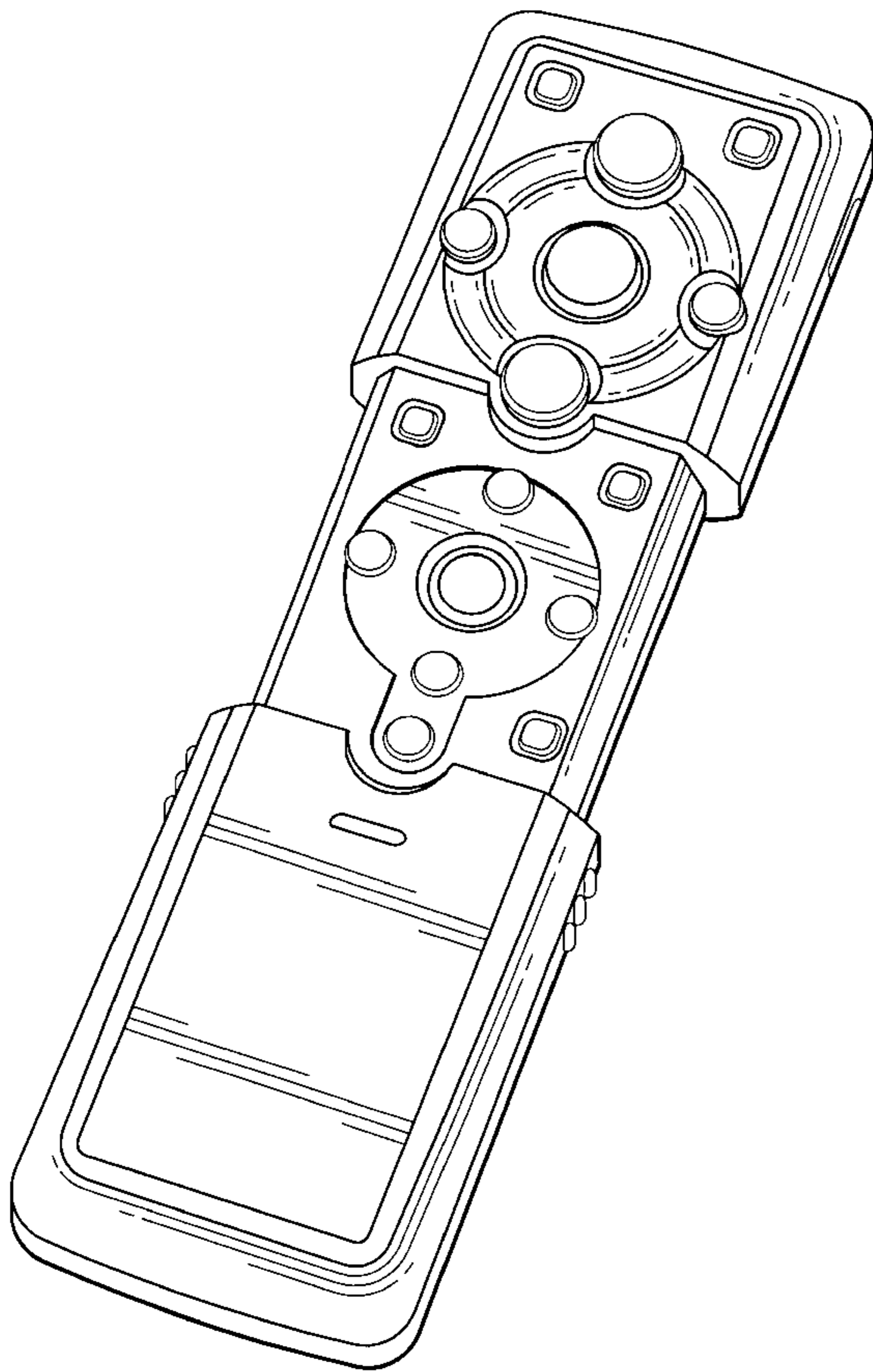
(57) **CLAIM**

The ornamental design for a remote control device, as shown and described.

DESCRIPTION

FIG. 1 is an isometric view of a remote control device according to an embodiment of the invention, the remote control device being shown in an open orientation; FIG. 2 is a left-side view thereof; FIG. 3 is a top view thereof; FIG. 4 is a right-side view thereof; FIG. 5 is a bottom view thereof; FIG. 6 is a front view thereof; FIG. 7 is a rear view thereof; and, FIG. 8 is an isometric view of the remote control device of FIG. 1, but showing the remote control device in a closed orientation.

1 Claim, 4 Drawing Sheets



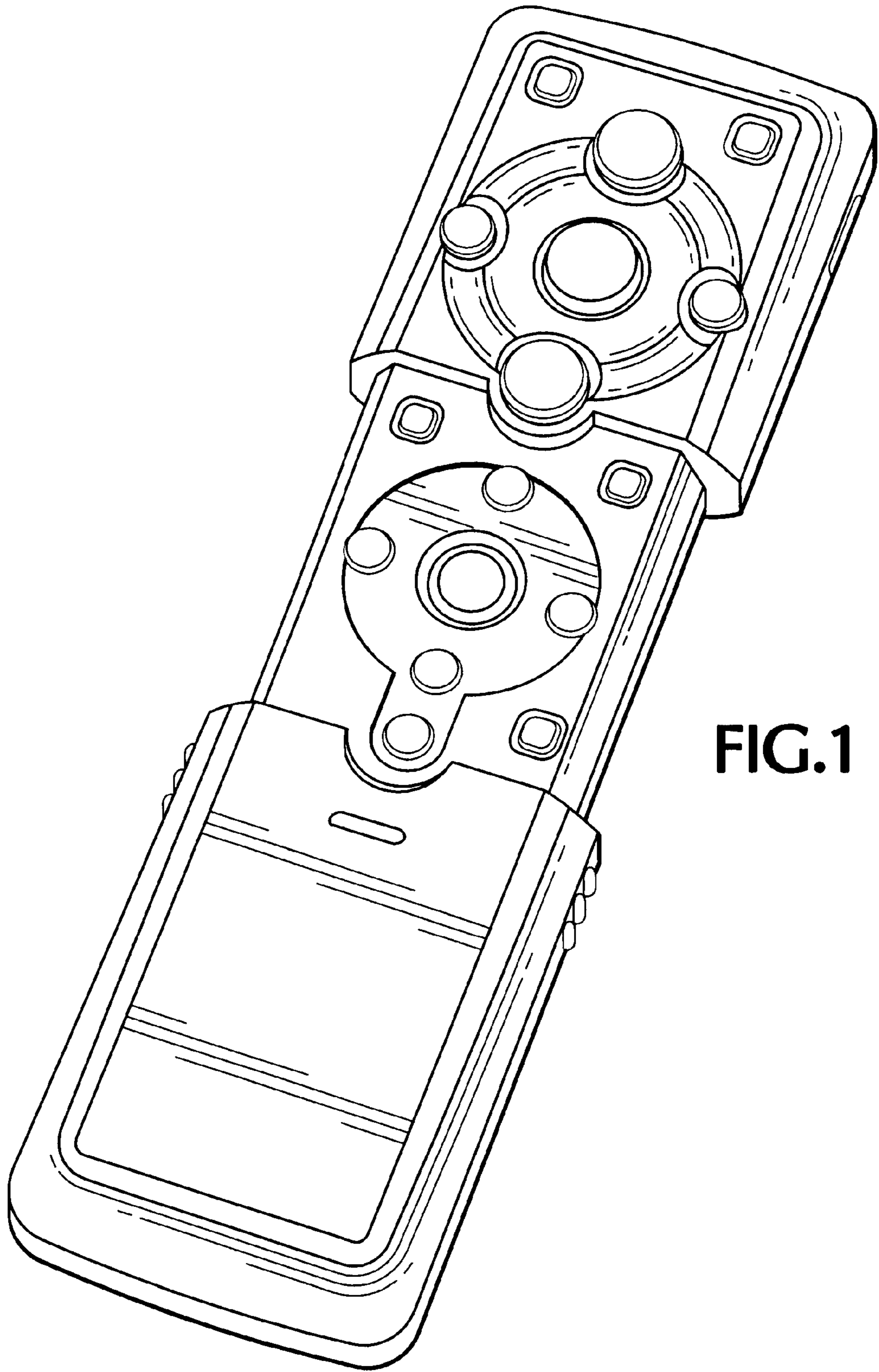


FIG.1

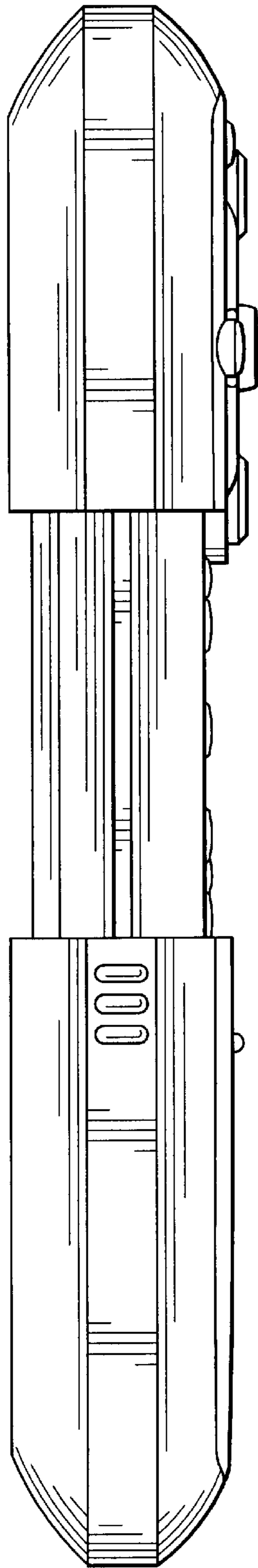


FIG. 2

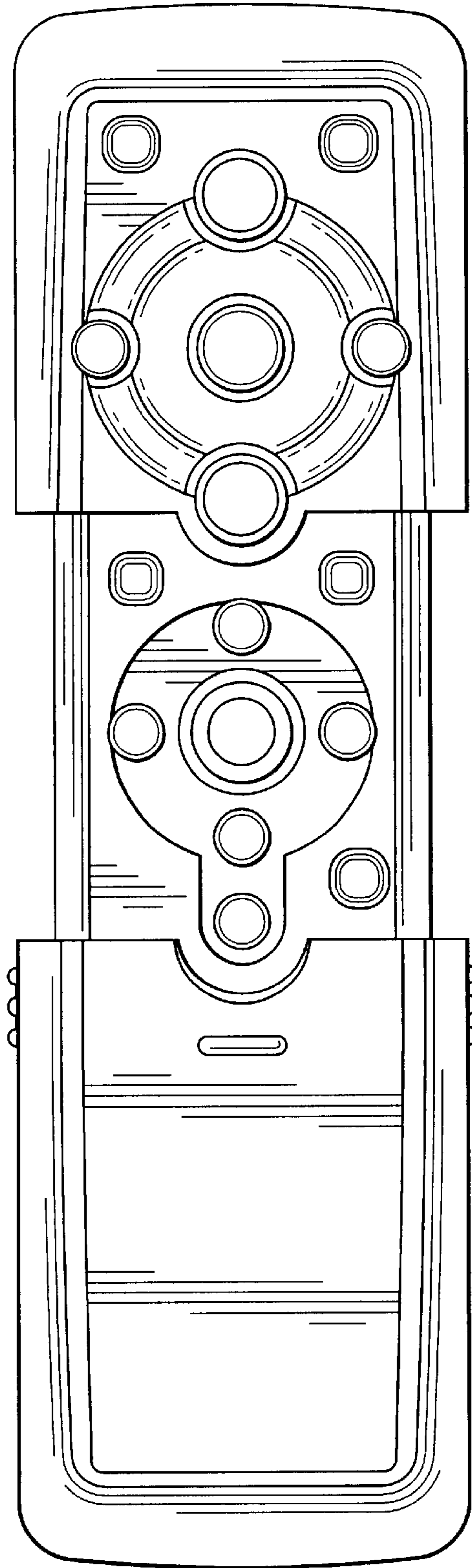


FIG. 3

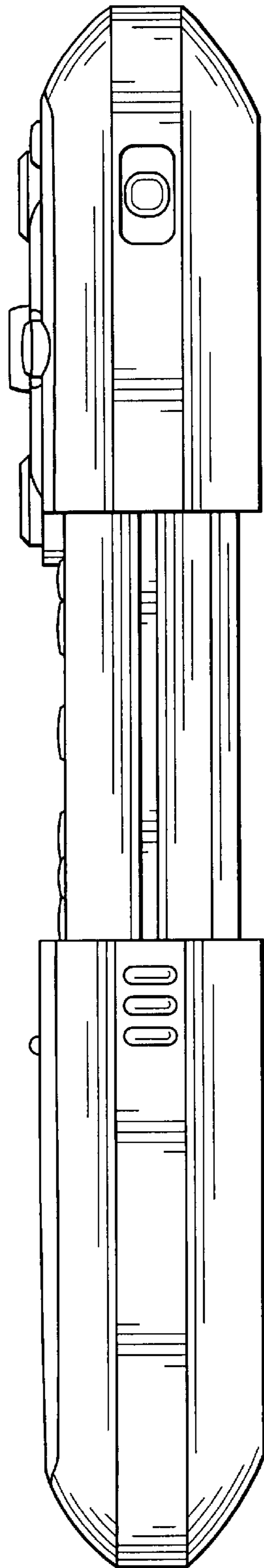


FIG. 4

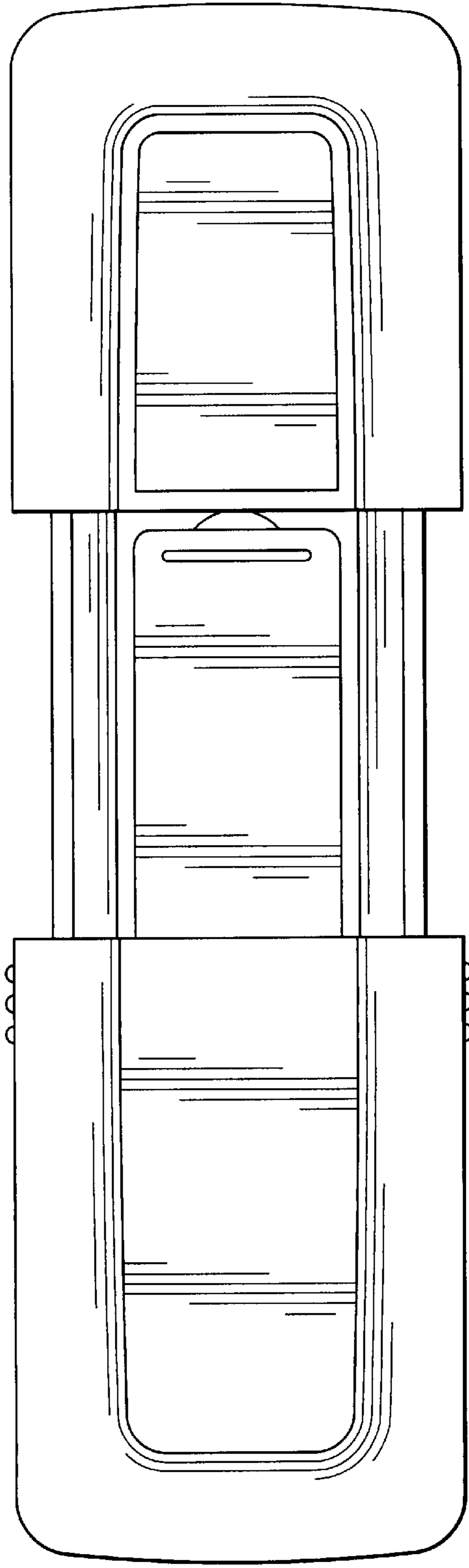


FIG. 5

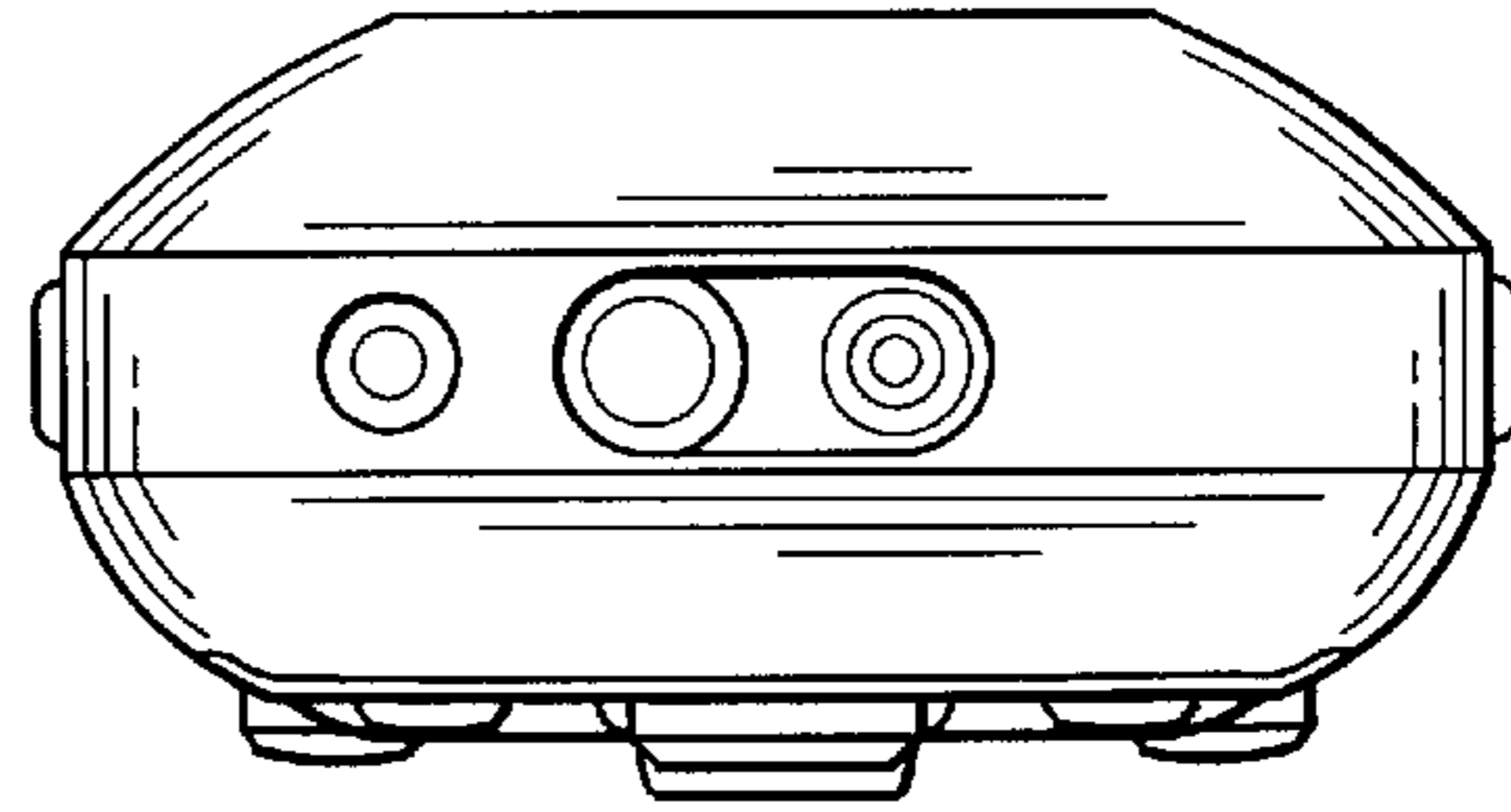


FIG. 6

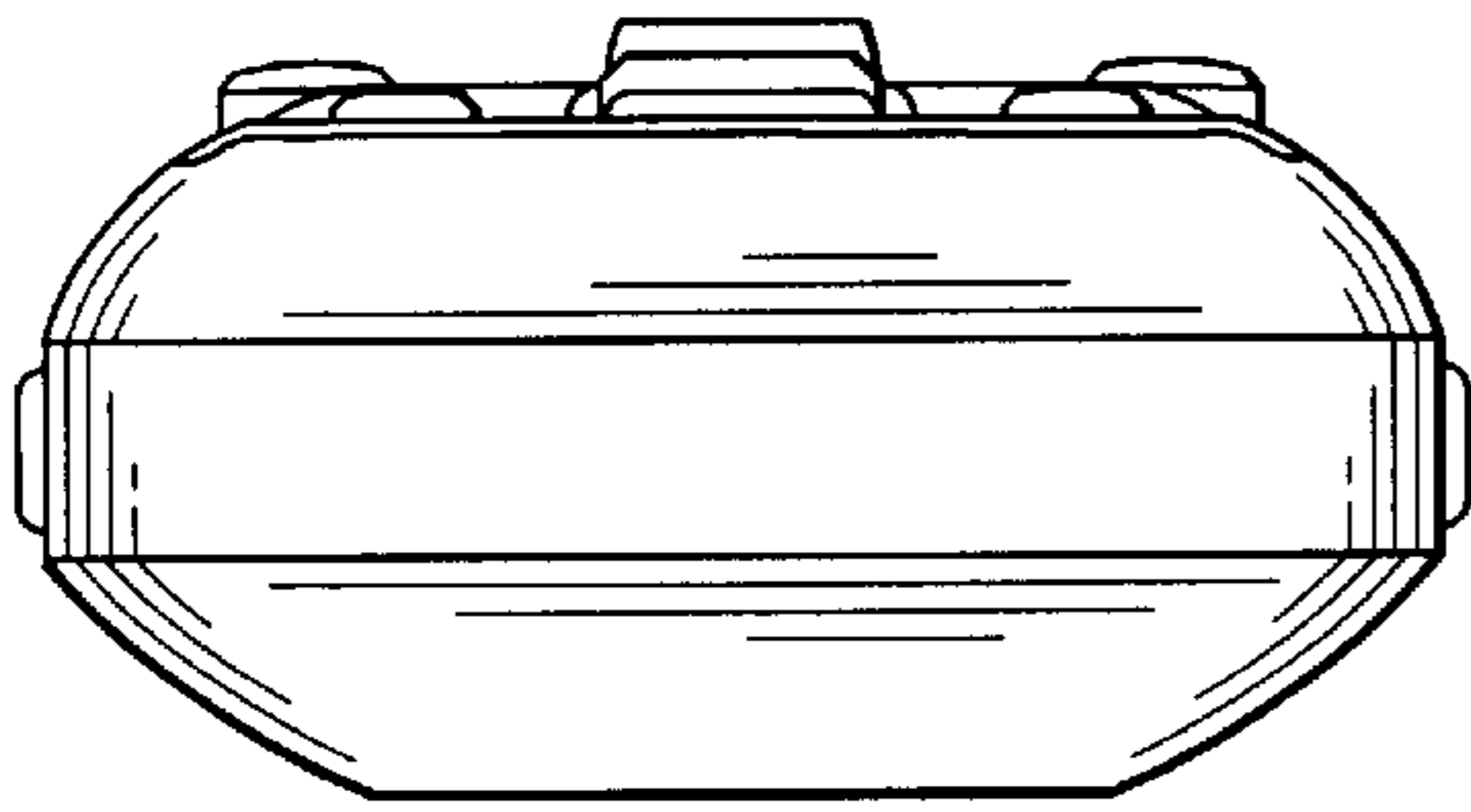


FIG. 7

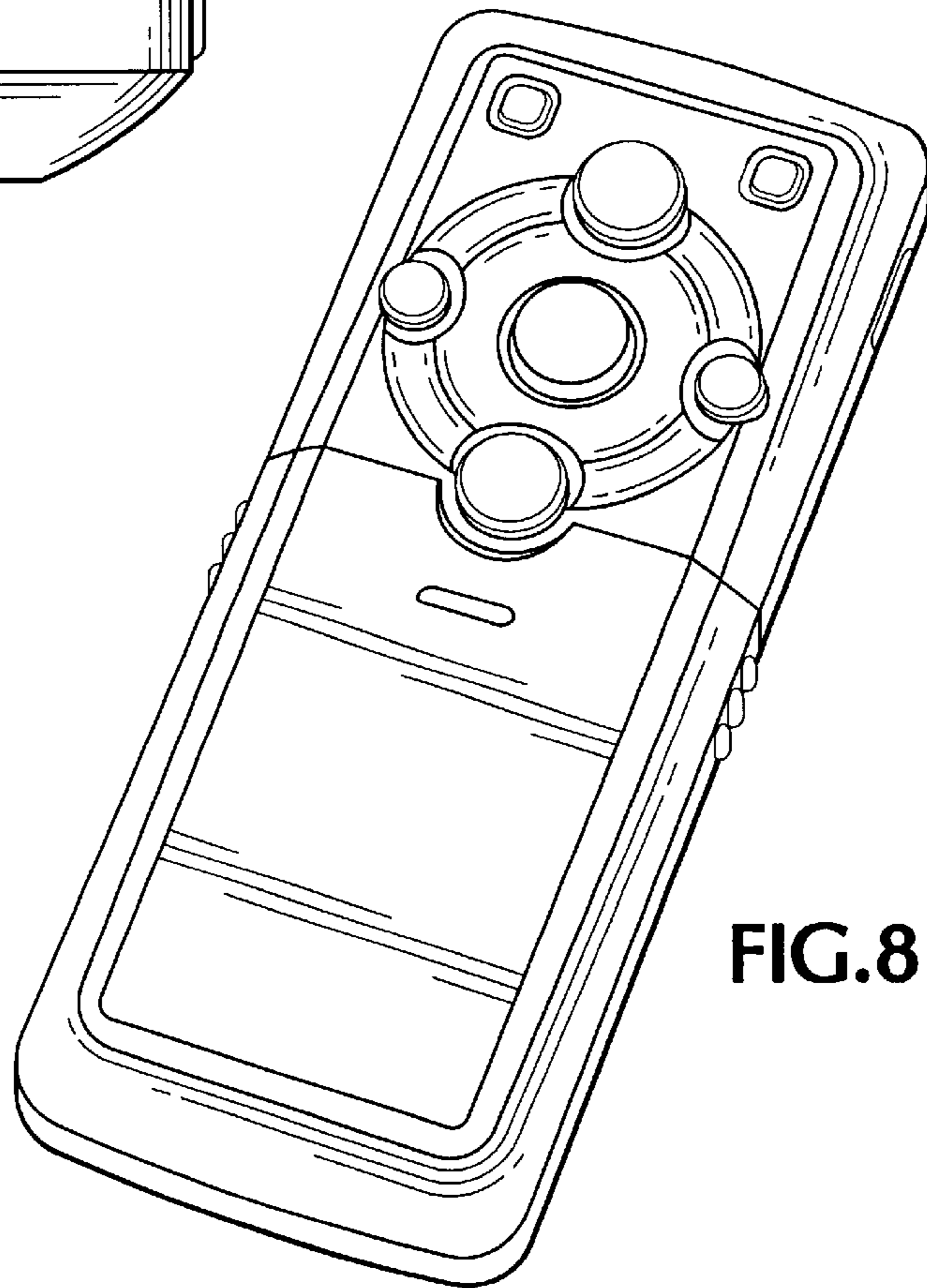


FIG. 8