



US00D484492S

(12) **United States Design Patent**
Welker et al.

(10) **Patent No.:** **US D484,492 S**

(45) **Date of Patent:** **** Dec. 30, 2003**

(54) **SPEAKER**

(75) Inventors: **Andrew C. Welker**, Courtice (CA);
John Tchilinguirian, Bowmanville
(CA)

(73) Assignee: **Audio Products International Corp.**,
Scarborough (CA)

(**) Term: **14 Years**

(21) Appl. No.: **29/175,372**

(22) Filed: **Feb. 5, 2003**

(30) **Foreign Application Priority Data**

Apr. 2, 2003 (CA) 101992

(51) **LOC (7) Cl.** **14-01**

(52) **U.S. Cl.** **D14/216**

(58) **Field of Search** D14/204, 207,
D14/209-216, 356; 181/143-145, 147-148,
150, 153, 157, 198-199; 381/300-302,
306, 333, 345, 361-364, 386-388

(56) **References Cited**

U.S. PATENT DOCUMENTS

D254,251 S * 2/1980 Ward D14/211

D315,562 S * 3/1991 Brown D14/216

5,319,164 A * 6/1994 Shen 181/153

D362,442 S * 9/1995 Goldfarb D14/215

D415,159 S * 10/1999 Nakano D14/215

D440,557 S * 4/2001 Su D14/215

* cited by examiner

Primary Examiner—Nanda Bandade

(74) *Attorney, Agent, or Firm*—Bereskin & Parr

(57) **CLAIM**

The ornamental design for a speaker, as shown.

DESCRIPTION

FIG. 1 is a perspective view from the front and one side of the speaker;

FIG. 2 is a top view of the speaker of FIG. 1;

FIG. 3 is a first side view of the speaker of FIG. 1;

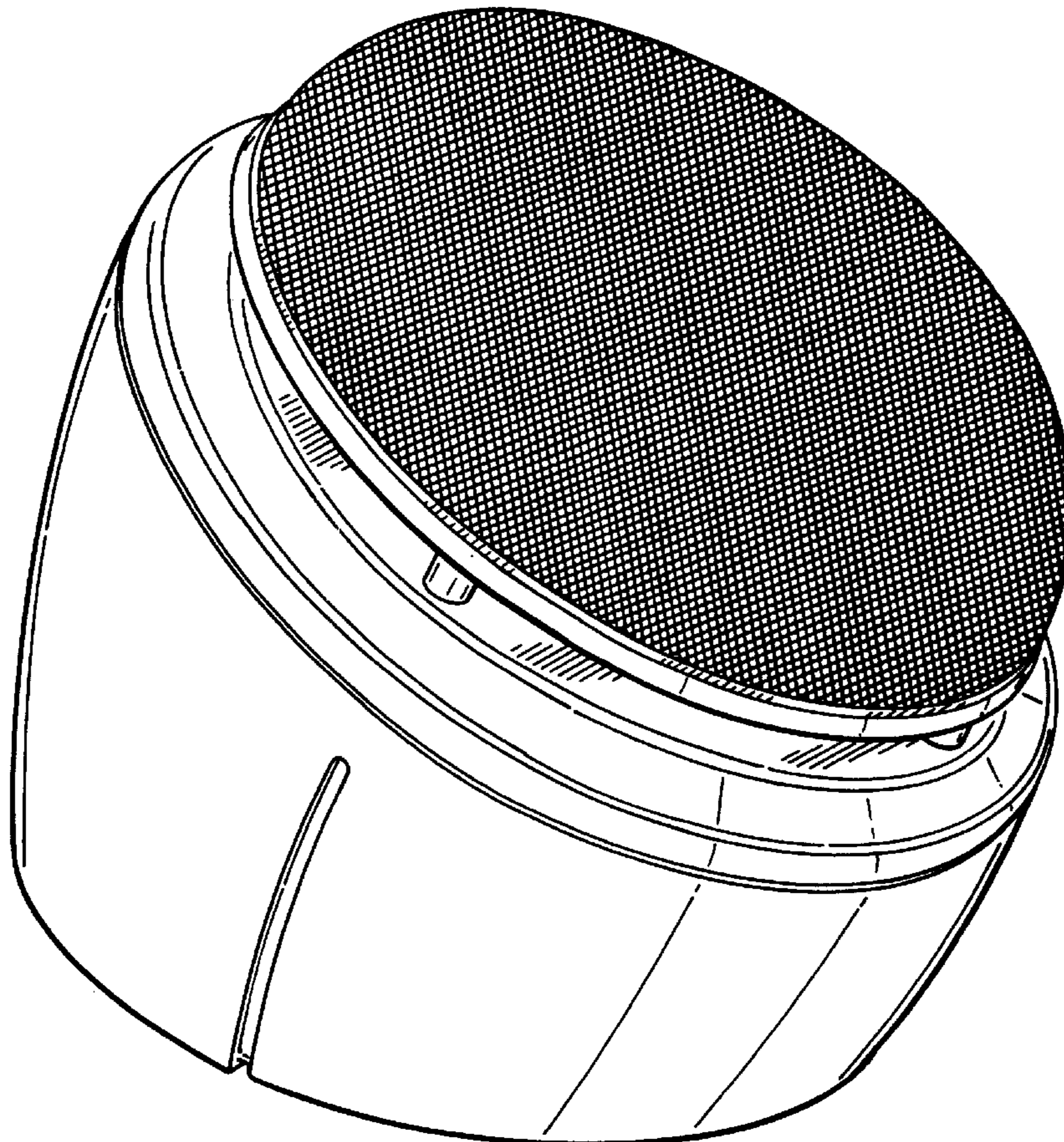
FIG. 4 is a front view of the speaker of FIG. 1;

FIG. 5 is a second side view of the speaker of FIG. 1;

FIG. 6 is a bottom view of the speaker of FIG. 1; and,

FIG. 7 is a back view of the speaker of FIG. 1.

1 Claim, 4 Drawing Sheets



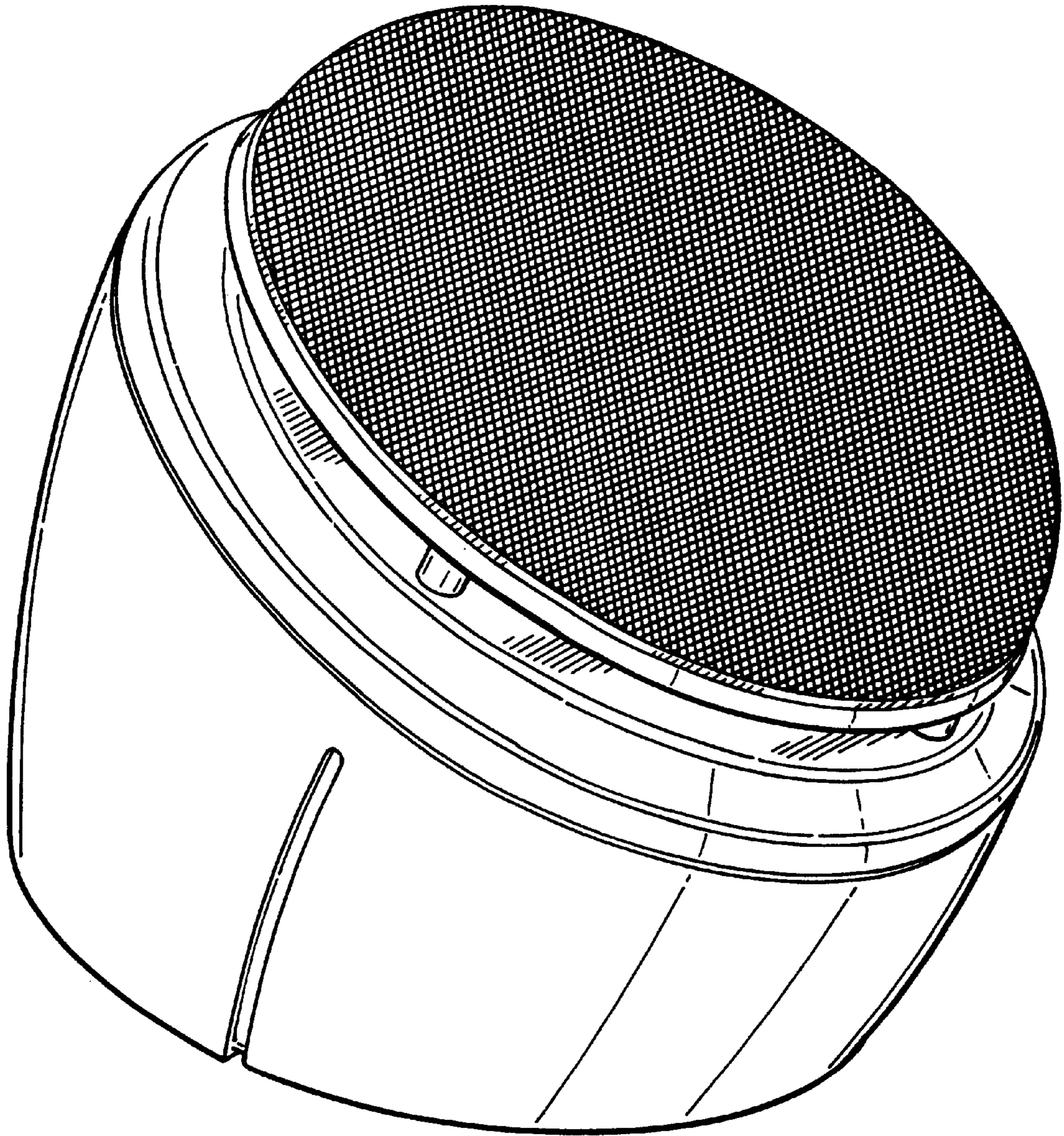


FIG. 1.

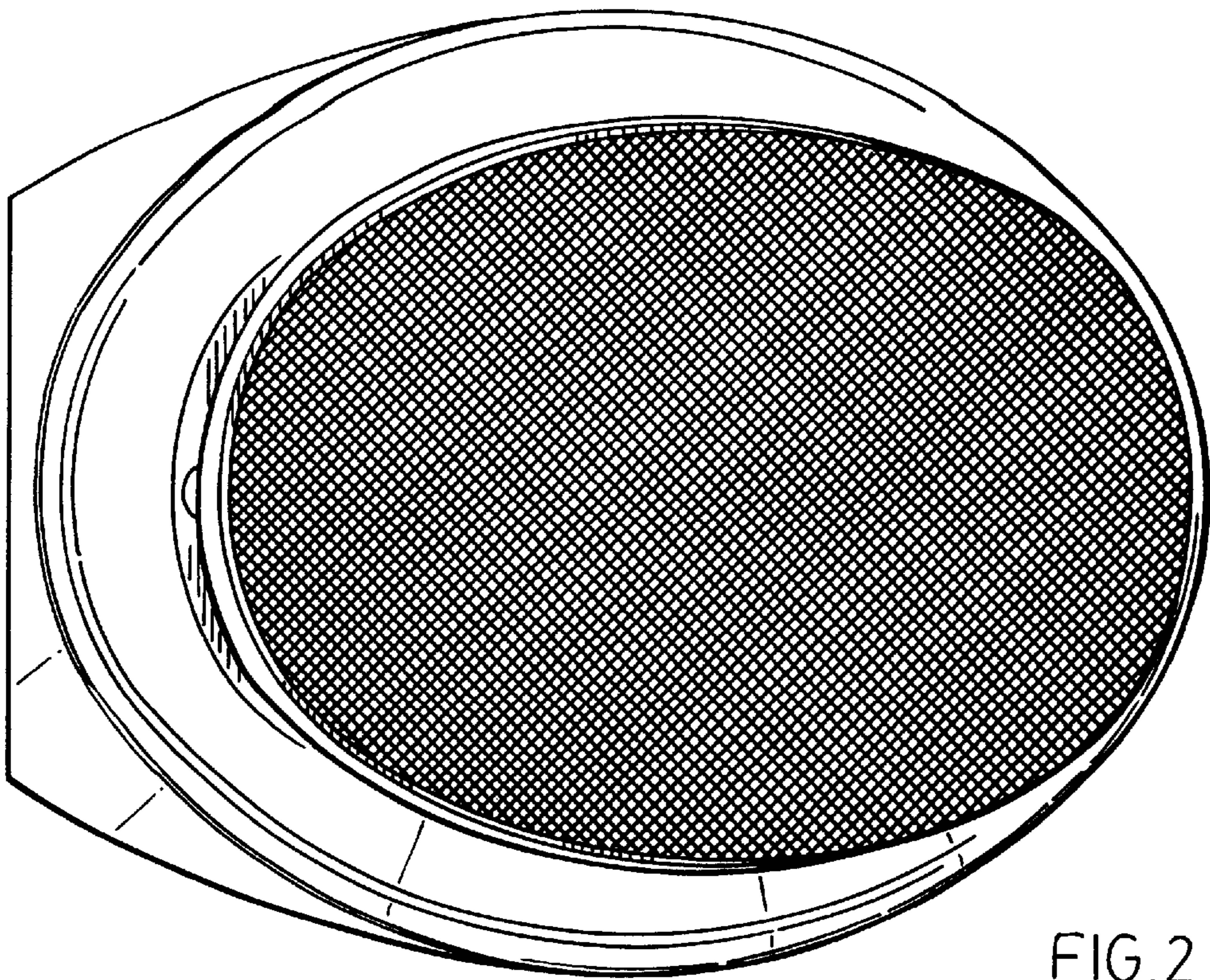


FIG. 2.

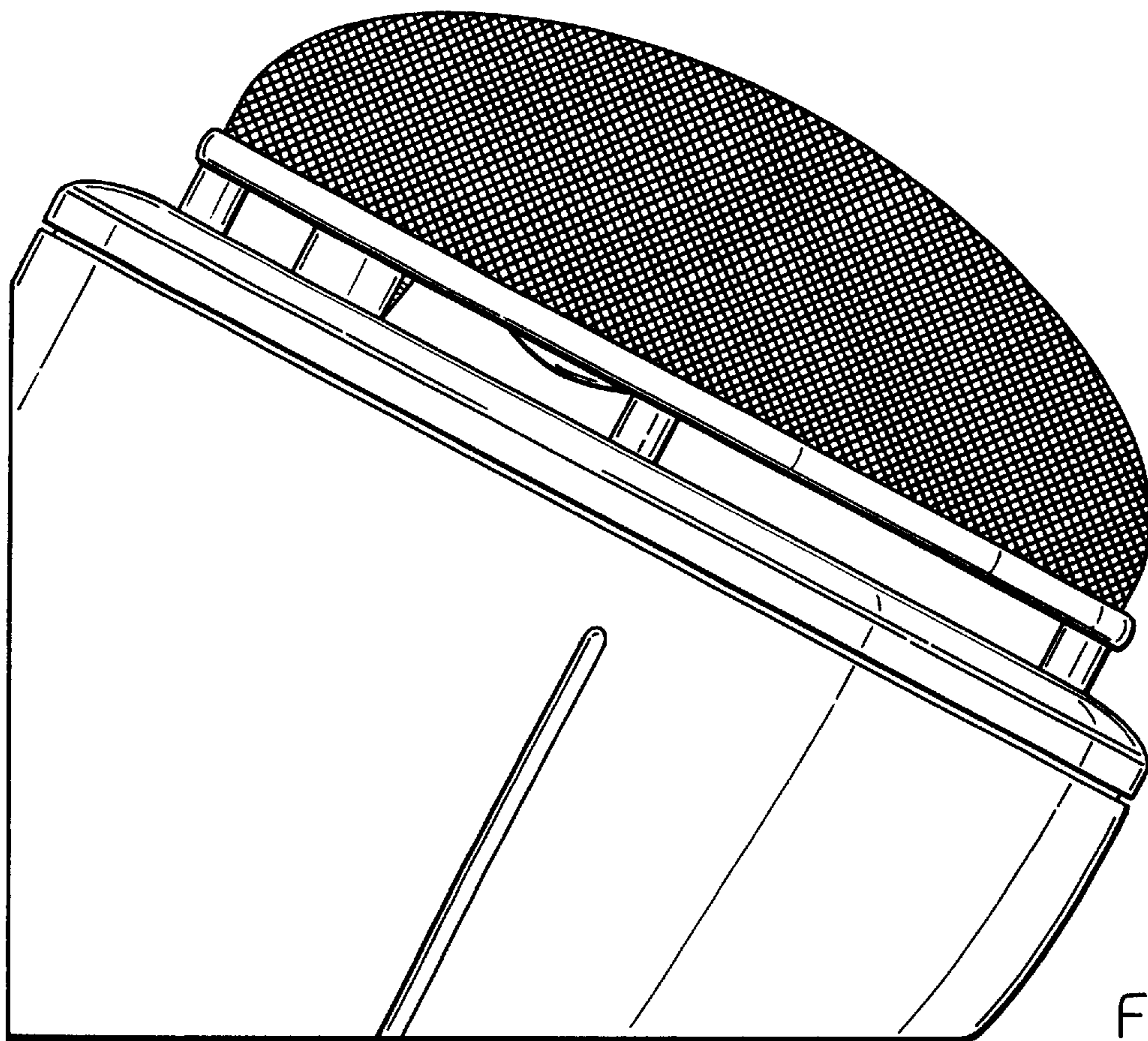


FIG. 3.

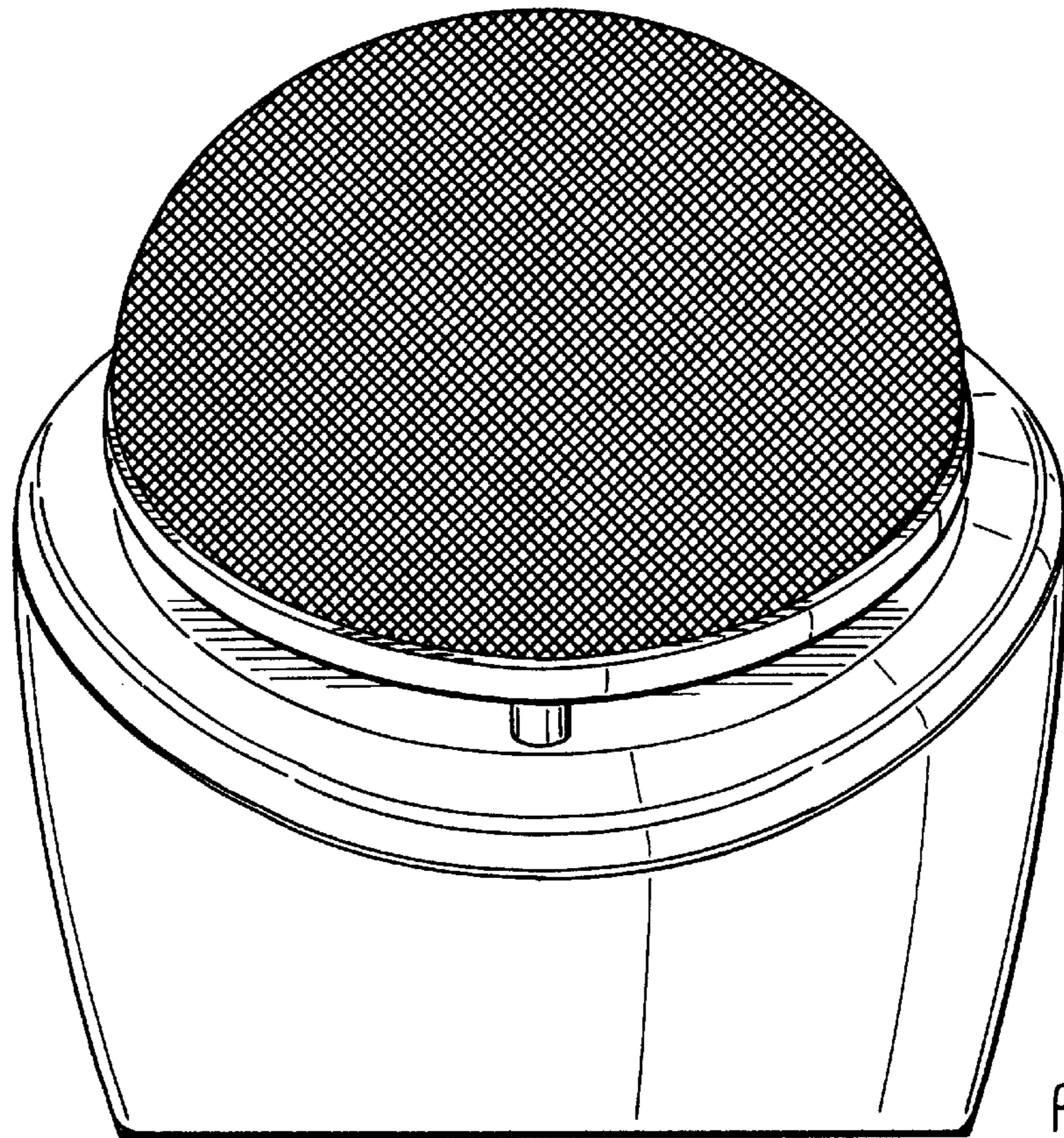


FIG. 4.

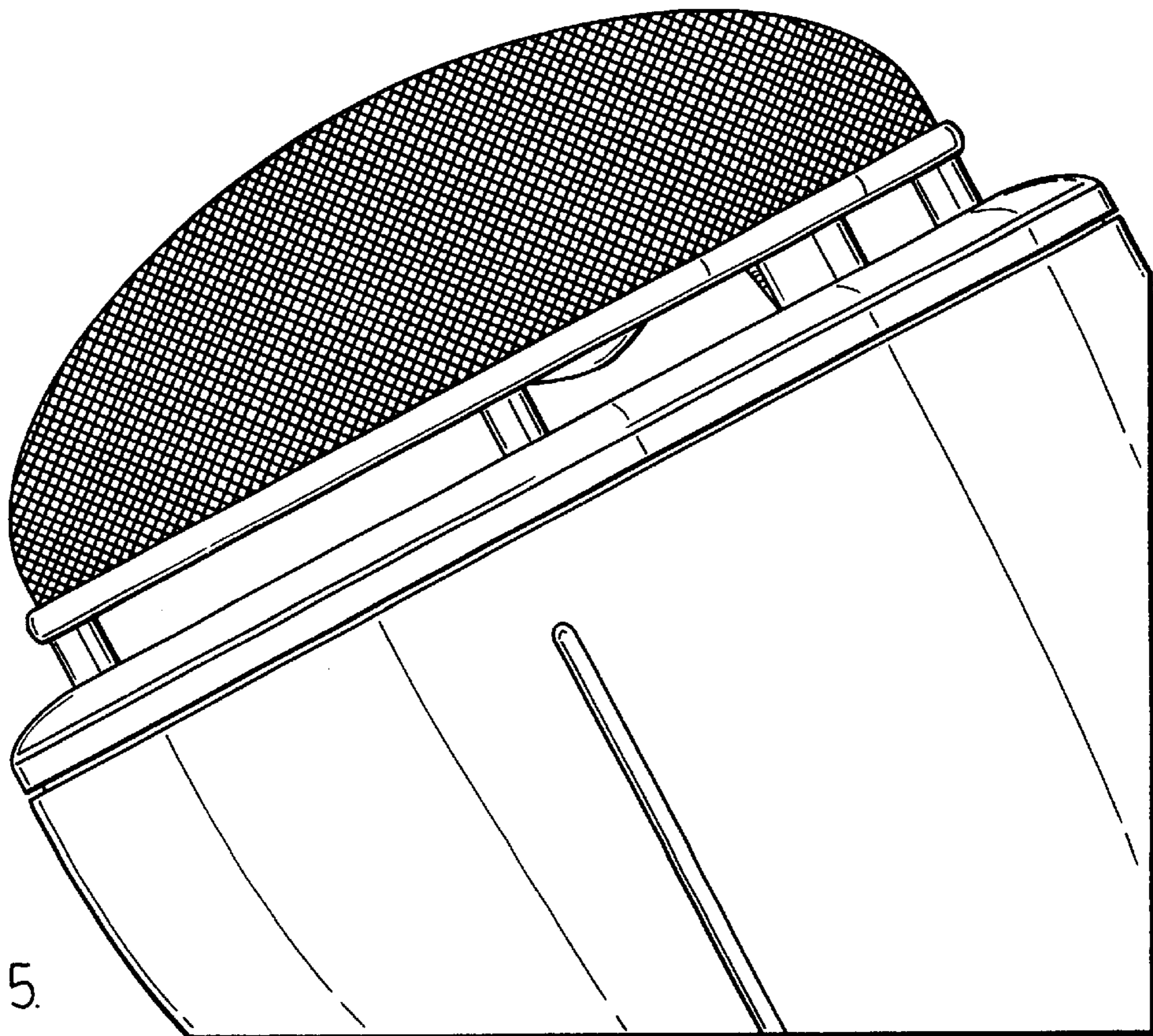


FIG. 5.

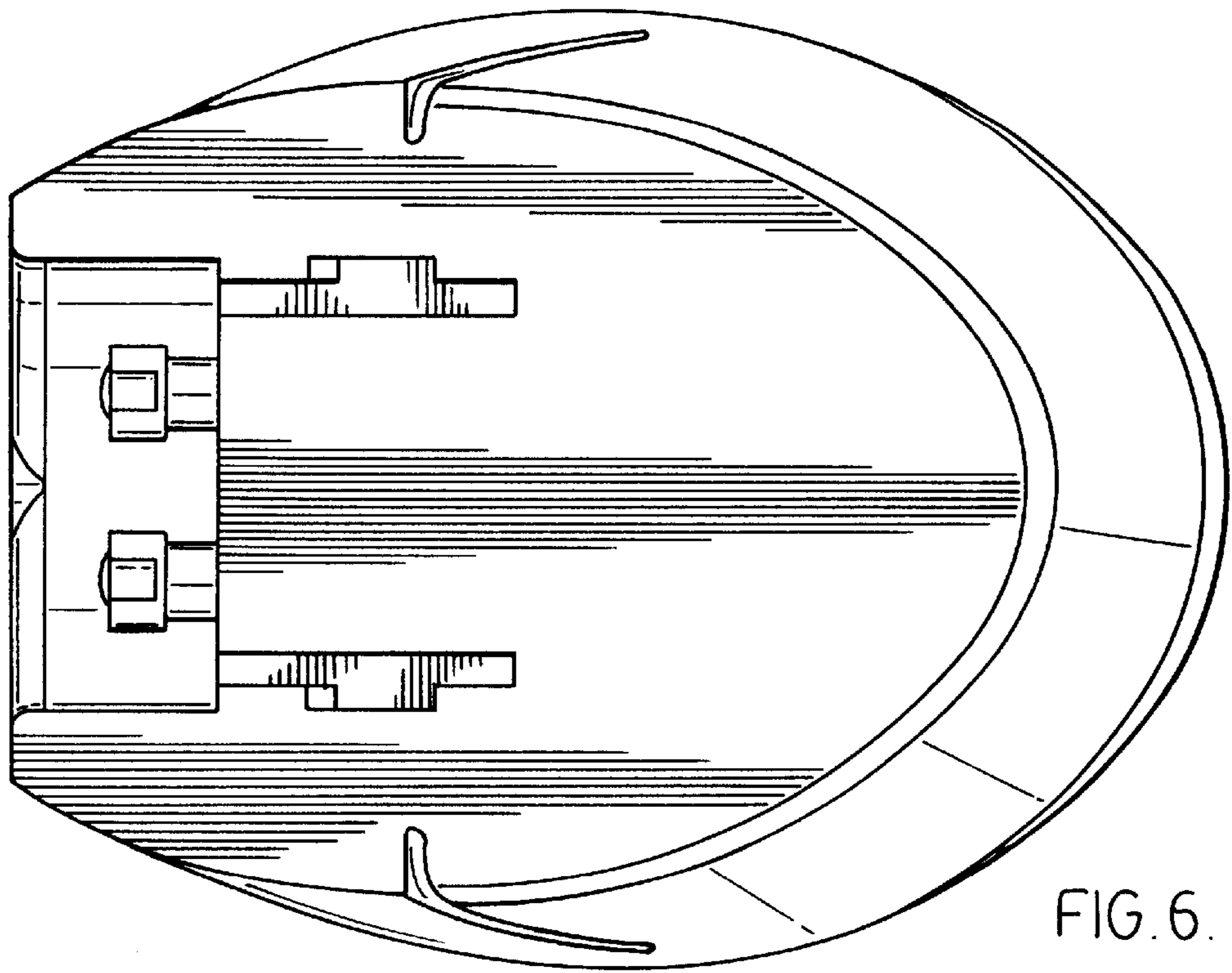


FIG. 6.

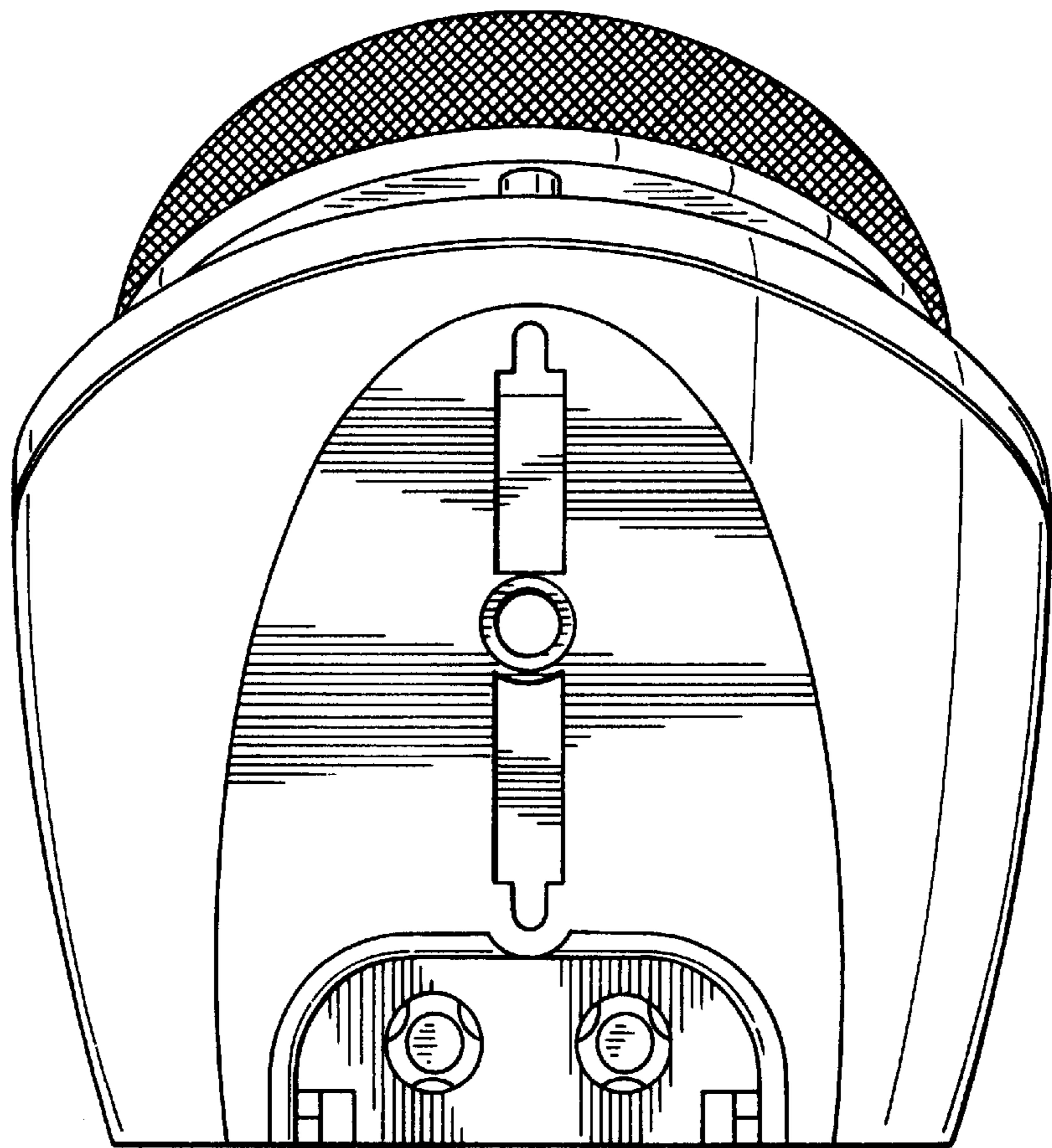


FIG. 7.