



US00D484489S

(12) **United States Design Patent**
Matsuoka

(10) **Patent No.:** **US D484,489 S**

(45) **Date of Patent:** **** Dec. 30, 2003**

(54) **SPEAKER BOX**

D451,085 S 11/2001 Masui
D460,750 S 7/2002 Matsuoka

(75) Inventor: **Shoichiro Matsuoka**, Tokyo (JP)

OTHER PUBLICATIONS

(73) Assignee: **Sony Corporation**, Tokyo (JP)

Catalog "HAV&C. New Products", 3 sheets, SONY (Autumn 2001).

(**) Term: **14 Years**

* cited by examiner

(21) Appl. No.: **29/170,188**

Primary Examiner—Nanda Bondade

(22) Filed: **Nov. 4, 2002**

(74) *Attorney, Agent, or Firm*—Rader, Fishman & Grauer PLLC

(51) **LOC (7) Cl.** **14-01**

(52) **U.S. Cl.** **D14/211; D14/215**

(58) **Field of Search** D14/204, 207,
D14/209–216, 356; 181/143–145, 147–148,
150, 153, 157, 198–199; 381/300–302,
306, 333, 345, 361–364, 386–388

(57) **CLAIM**

The ornamental design for a speaker box, as shown.

(56) **References Cited**

DESCRIPTION

U.S. PATENT DOCUMENTS

D249,683 S	*	9/1978	Rams	D14/211
D391,574 S	*	3/1998	Chen	D14/211
D400,883 S	*	11/1998	Jung	D14/214
D409,616 S		5/1999	Goto		
D437,843 S		2/2001	Masui		
D448,752 S	*	10/2001	Matsuoka	D14/214

FIG. 1 is a perspective view of a speaker box showing my new design;
FIG. 2 is a front elevational view thereof;
FIG. 3 is a rear elevational view thereof;
FIG. 4 is a left side elevational view thereof;
FIG. 5 is a right side elevational view thereof;
FIG. 6 is a top plan view thereof; and,
FIG. 7 is a bottom plan view thereof.

1 Claim, 4 Drawing Sheets

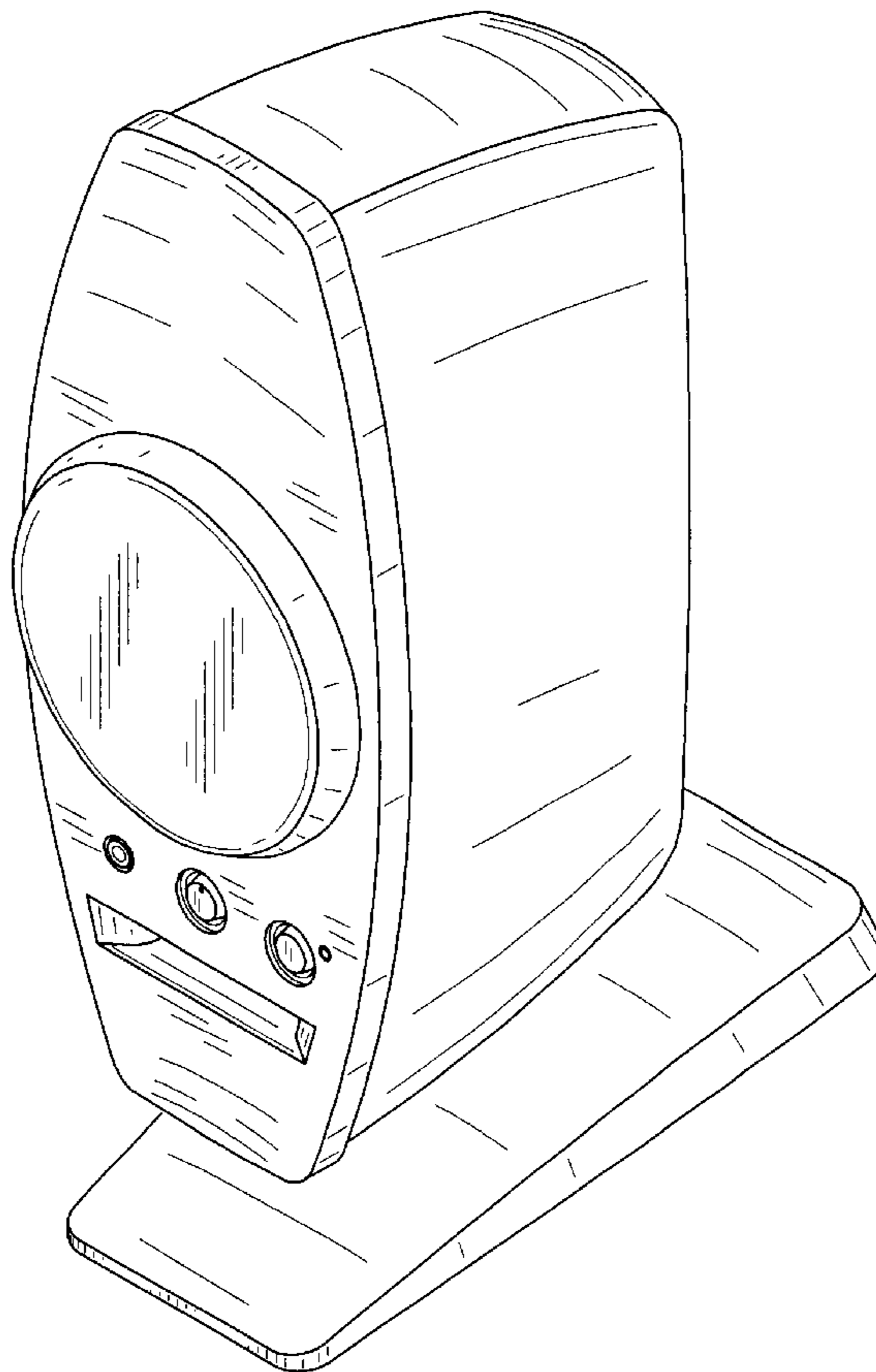


FIG. 1

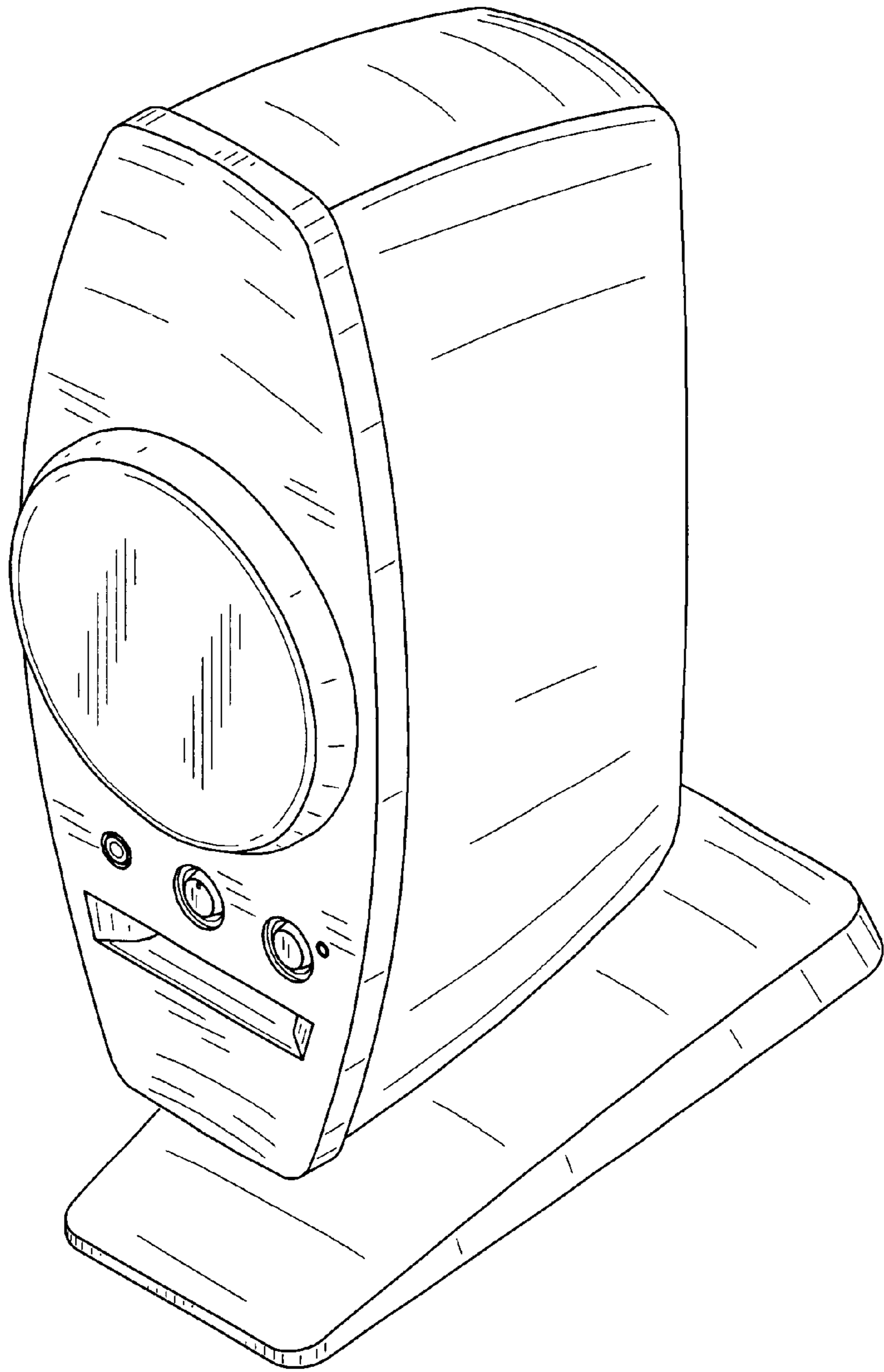


FIG. 3

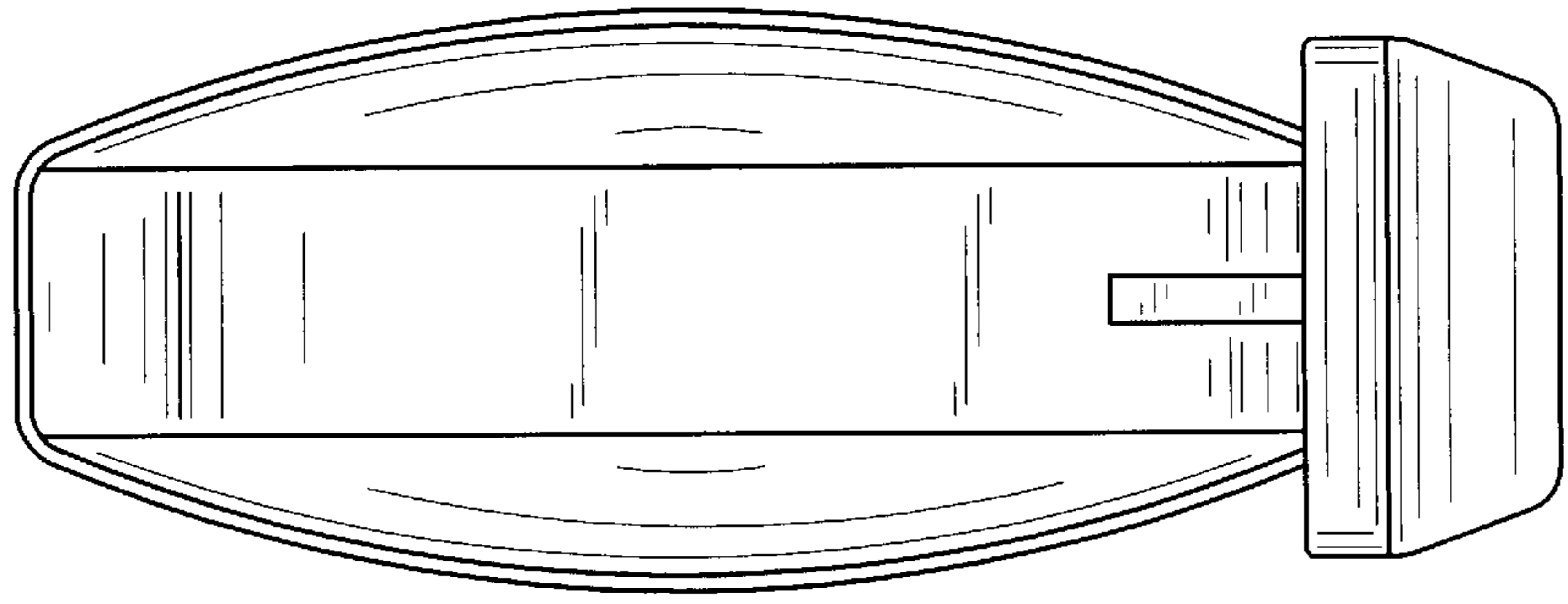


FIG. 2

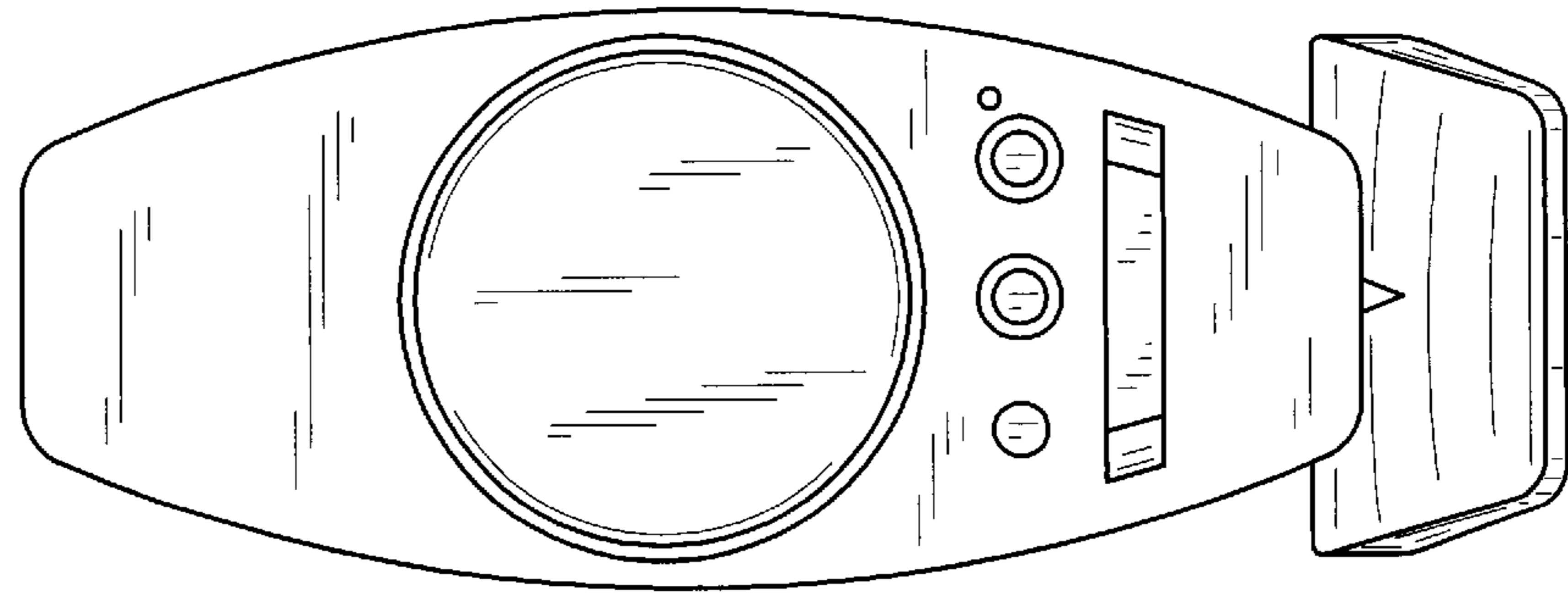


FIG. 5

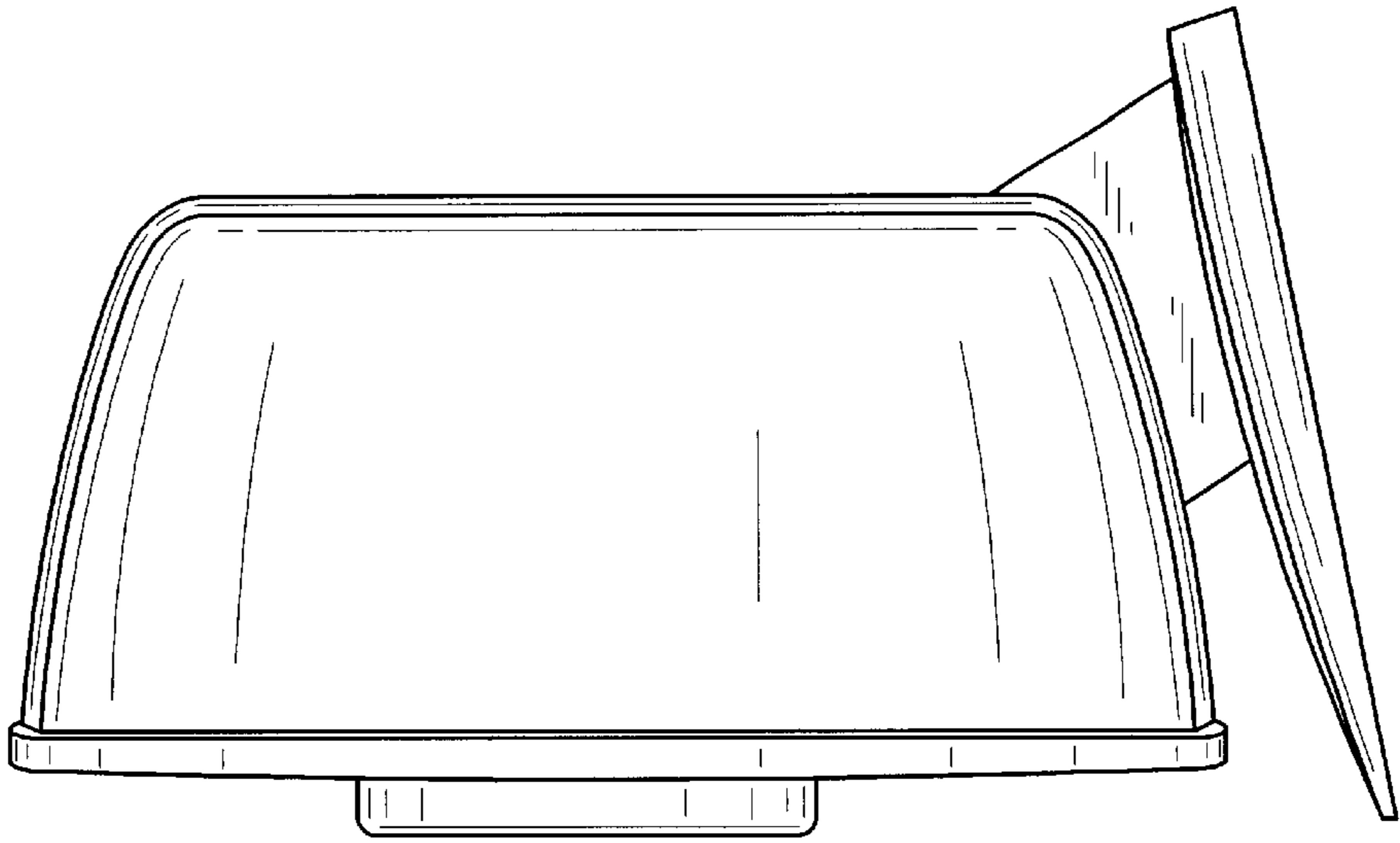


FIG. 4

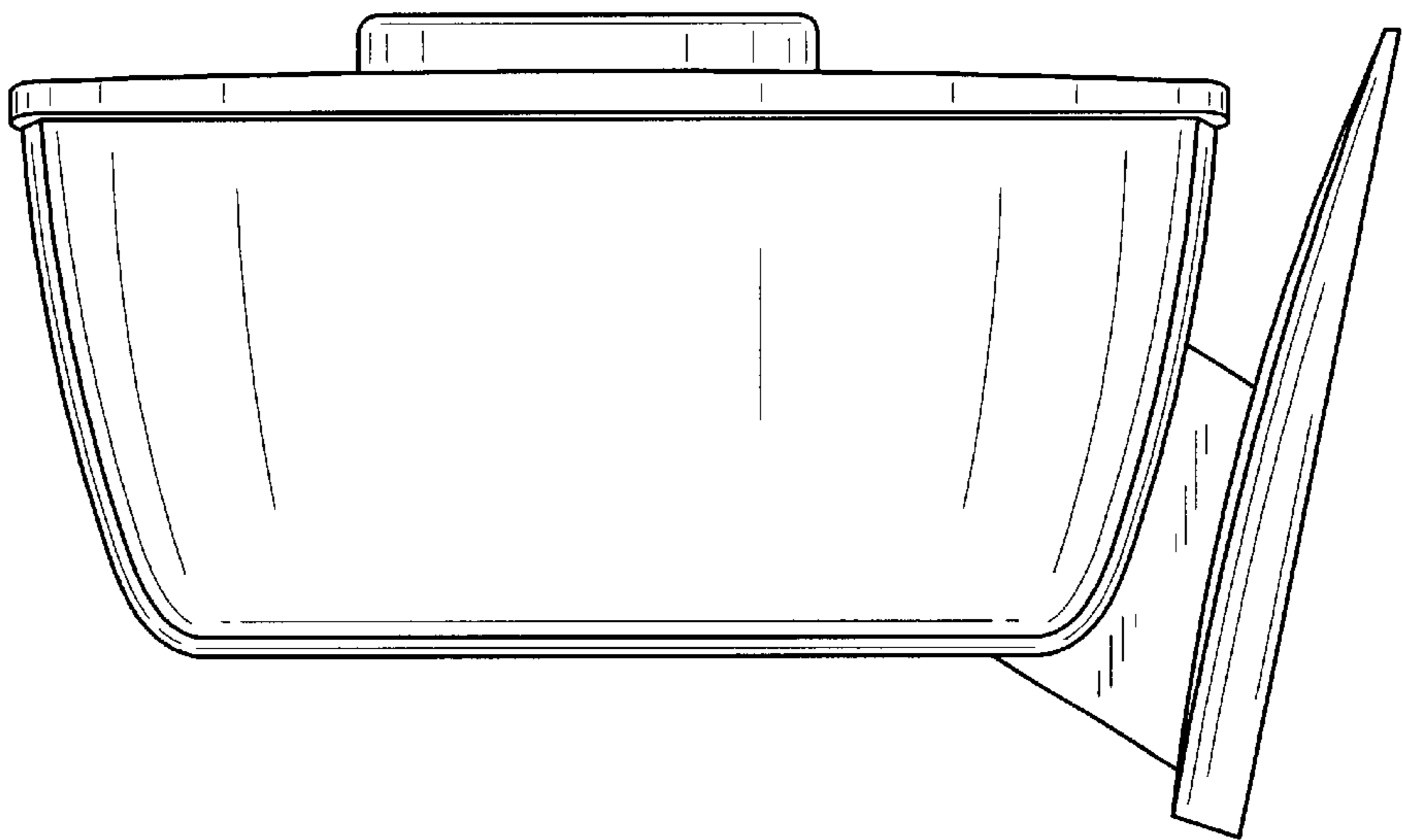


FIG. 7

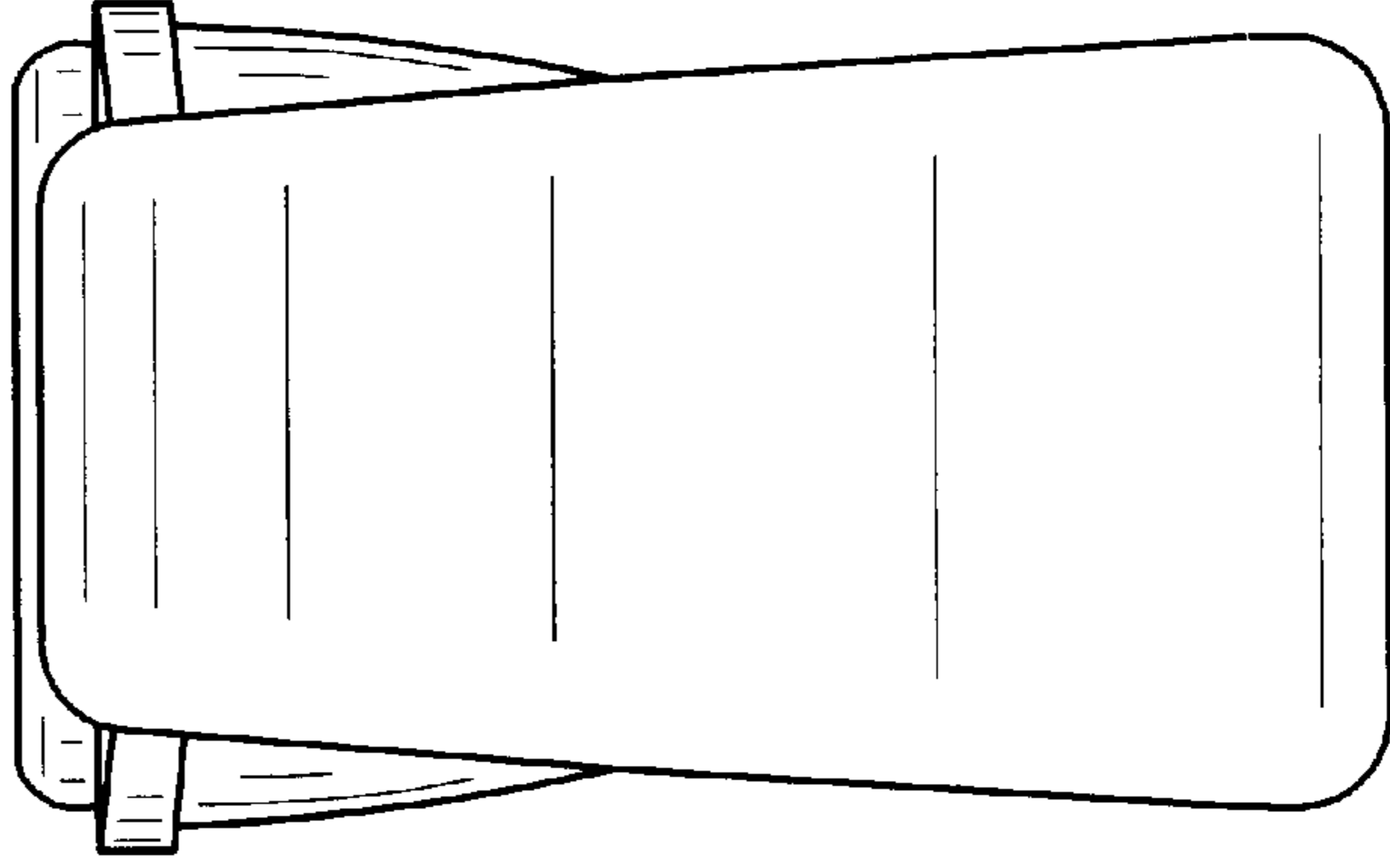


FIG. 6

