



US00D484485S

(12) **United States Design Patent**
Matsuoka

(10) **Patent No.:** **US D484,485 S**

(45) **Date of Patent:** **** Dec. 30, 2003**

(54) **HEADPHONE**

(75) Inventor: **Yoshimichi Matsuoka**, Tokyo (JP)

(73) Assignee: **Sony Corporation**, Tokyo (JP)

(**) Term: **14 Years**

(21) Appl. No.: **29/175,773**

(22) Filed: **Feb. 11, 2003**

(51) **LOC (7) Cl.** **14-01**

(52) **U.S. Cl.** **D14/205**

(58) **Field of Search** D14/192, 205,
D14/206, 223; 181/129, 130; 379/430,
431; 381/370, 309

(56) **References Cited**

U.S. PATENT DOCUMENTS

D358,391 S	*	5/1995	Isono	D14/205
D373,360 S		9/1996	Kanno		
D386,181 S	*	11/1997	Fisher	D14/205
D409,197 S		5/1999	Nakamura		
D423,012 S		4/2000	Yasutomi		
D435,249 S		12/2000	Yasutomi		

OTHER PUBLICATIONS

Catalog "Value up, headphone, active speaker, microphone & Earset/headset," 3 sheets, Sony (Jan. 2002).

Web page "Headphones2," http://www.pioneer.co.jp/topec/product/accessory/head_phone2/headphone2_2.html, 1 sheet, Pioneer (Aug. 2002).

Web page "cordless headphone, RP-WH20," <http://prodb-matsushita.co.jp/products/panasonic/RP/RP-WH20.html>, 1 sheet, Matsushita Electric Industrial Co., Ltd. (Aug. 2002).

Web page "cordless headphone, RP-WH30," <http://prodb-matsushita.co.jp/products/panasonic/RP/RP-WH30.html>, 1 sheet, Matsuhita Electric Industrial Co., Ltd. (Aug. 2002).

* cited by examiner

Primary Examiner—Paula A. Mortimer

(74) *Attorney, Agent, or Firm*—Rader, Fishman & Grauer PLLC

(57) **CLAIM**

The ornamental design for a headphone, as shown.

DESCRIPTION

FIG. 1 is a perspective view of a headphone showing my new design;

FIG. 2 is a front elevational view thereof;

FIG. 3 is a rear elevational view thereof;

FIG. 4 is a left side elevational view thereof;

FIG. 5 is a right side elevational view thereof;

FIG. 6 is a top plan view thereof; and,

FIG. 7 is a bottom plan view thereof.

1 Claim, 4 Drawing Sheets



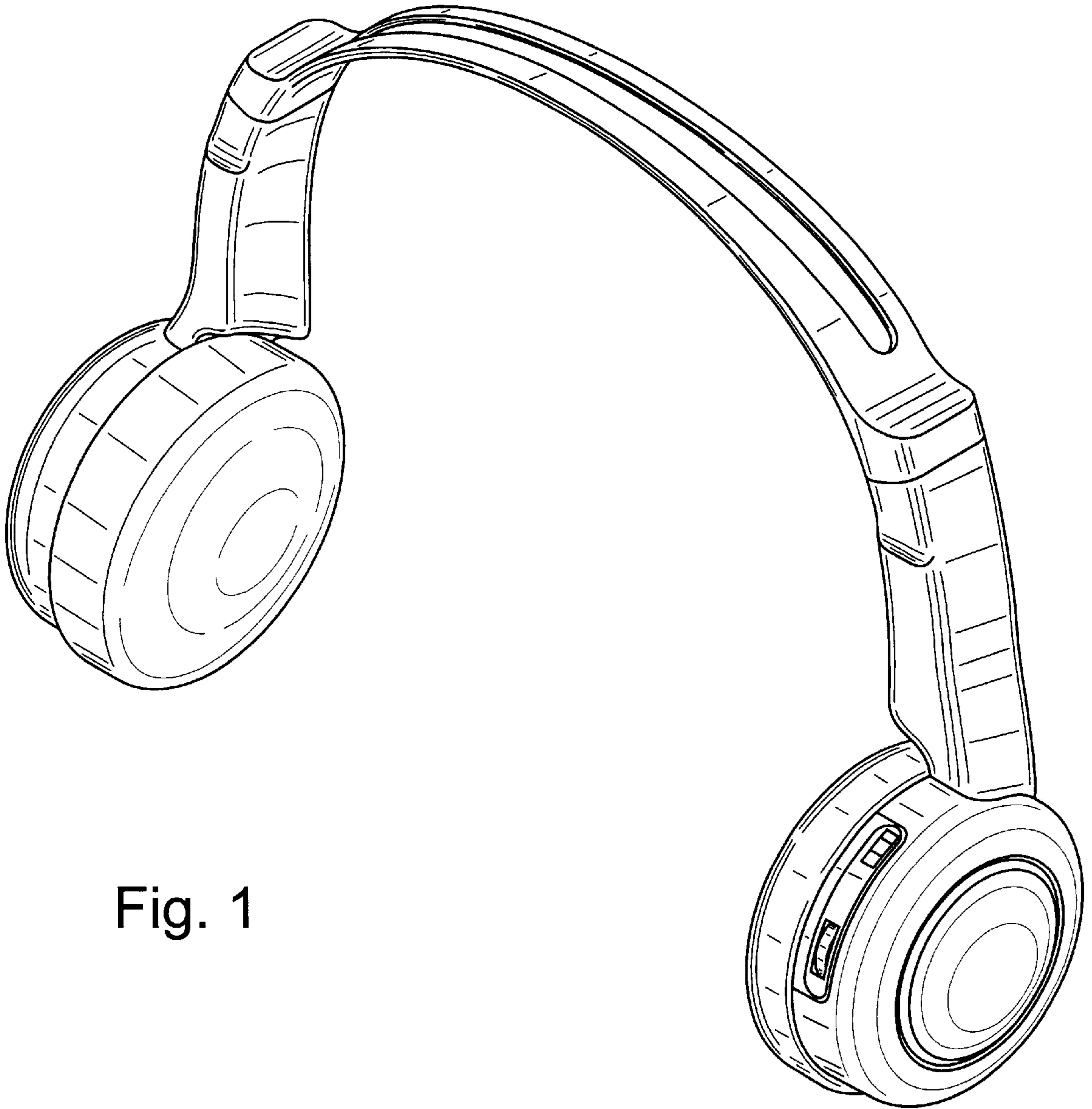


Fig. 1

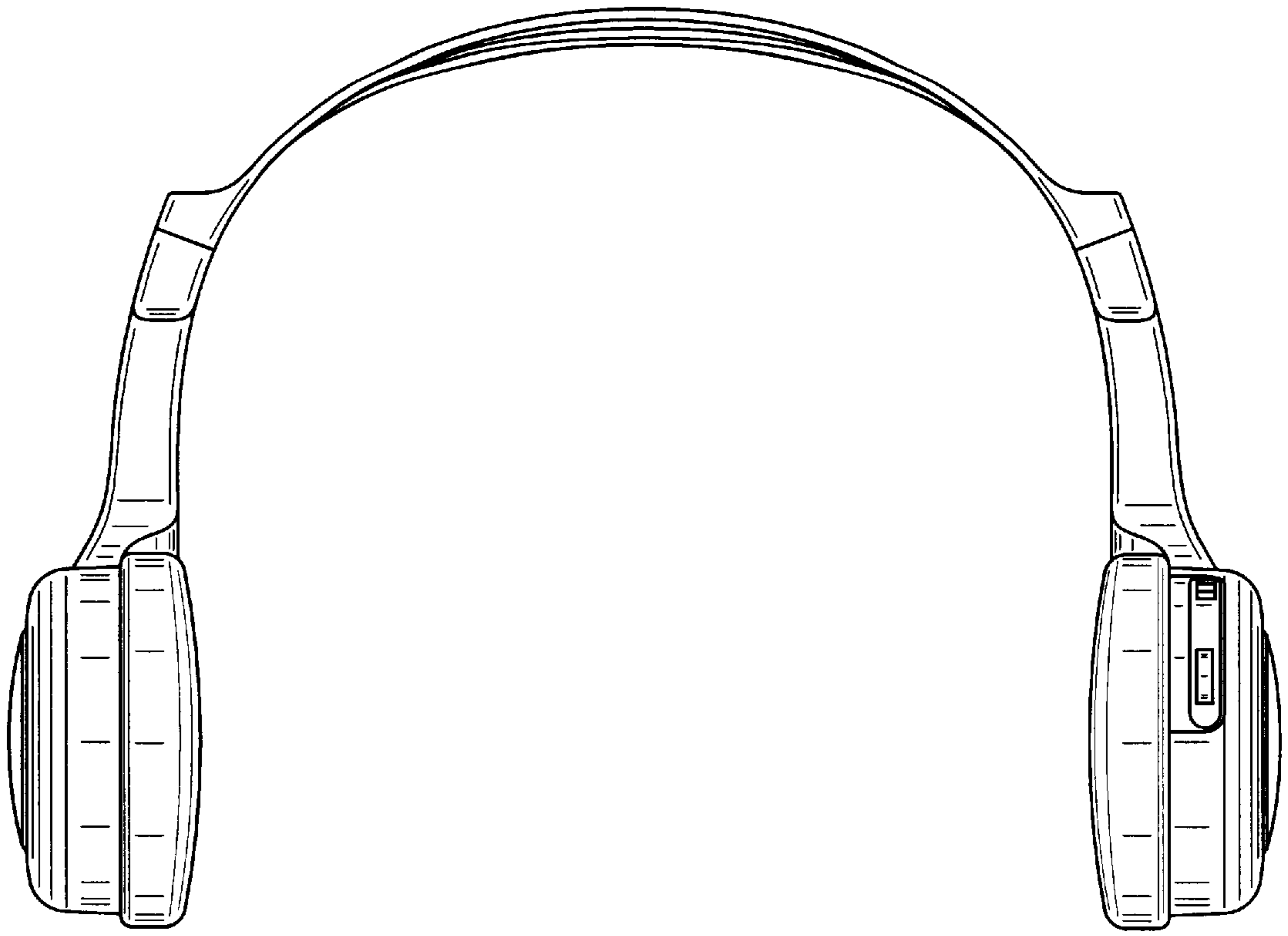


Fig. 2

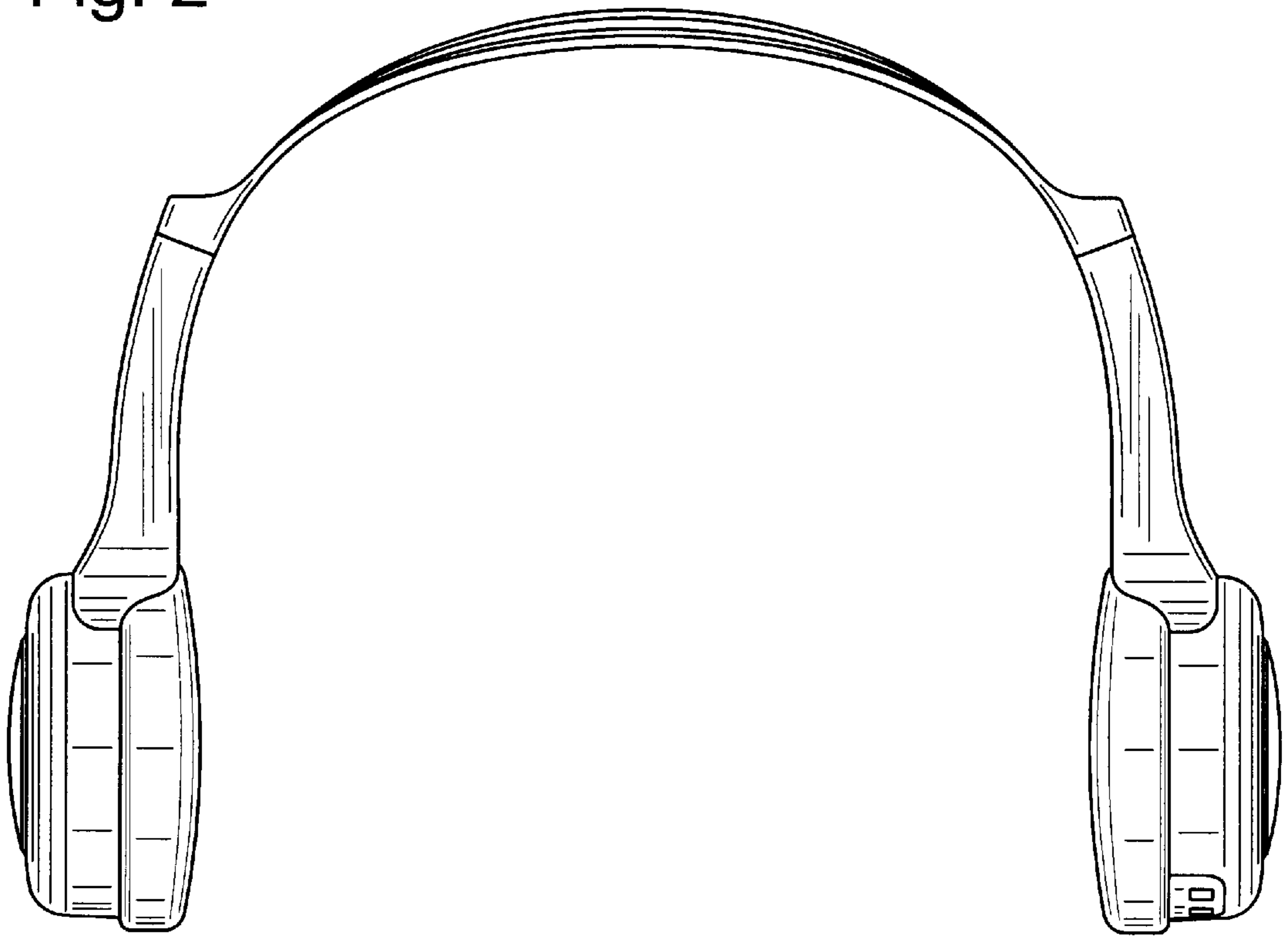


Fig. 3

Fig. 4

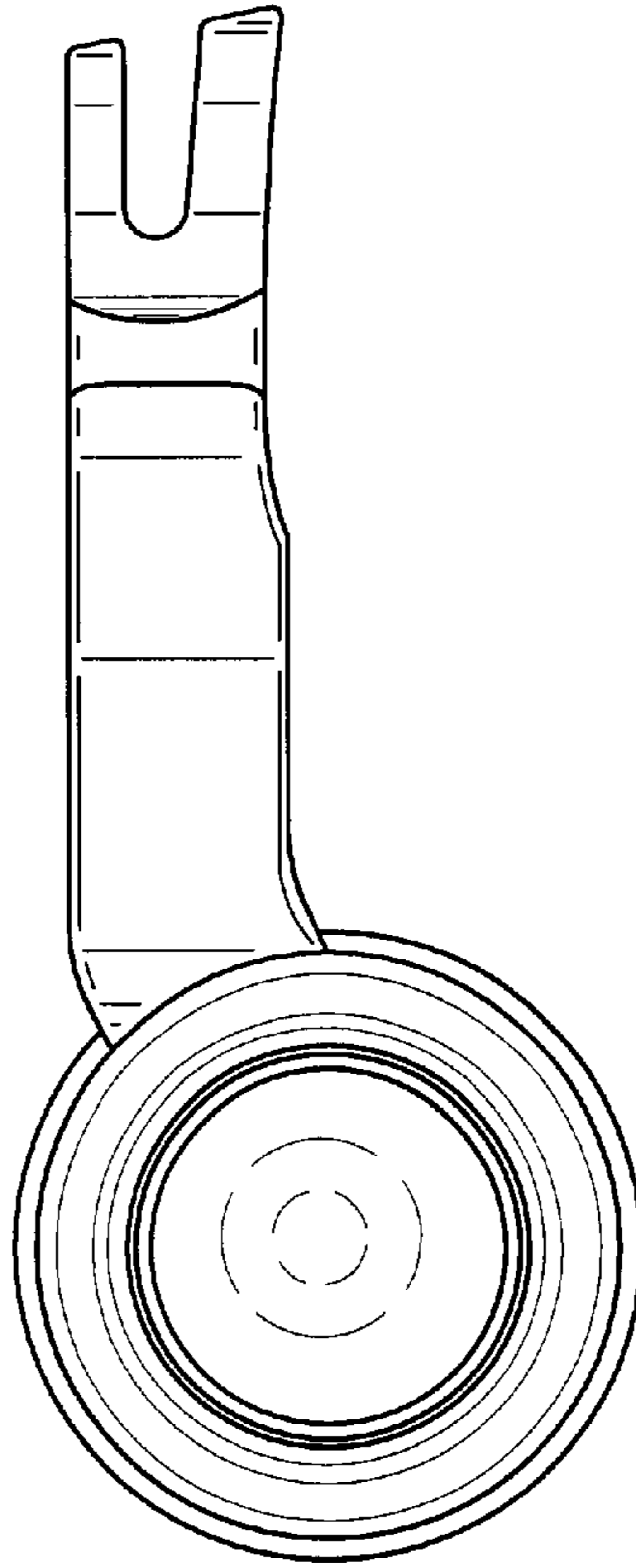
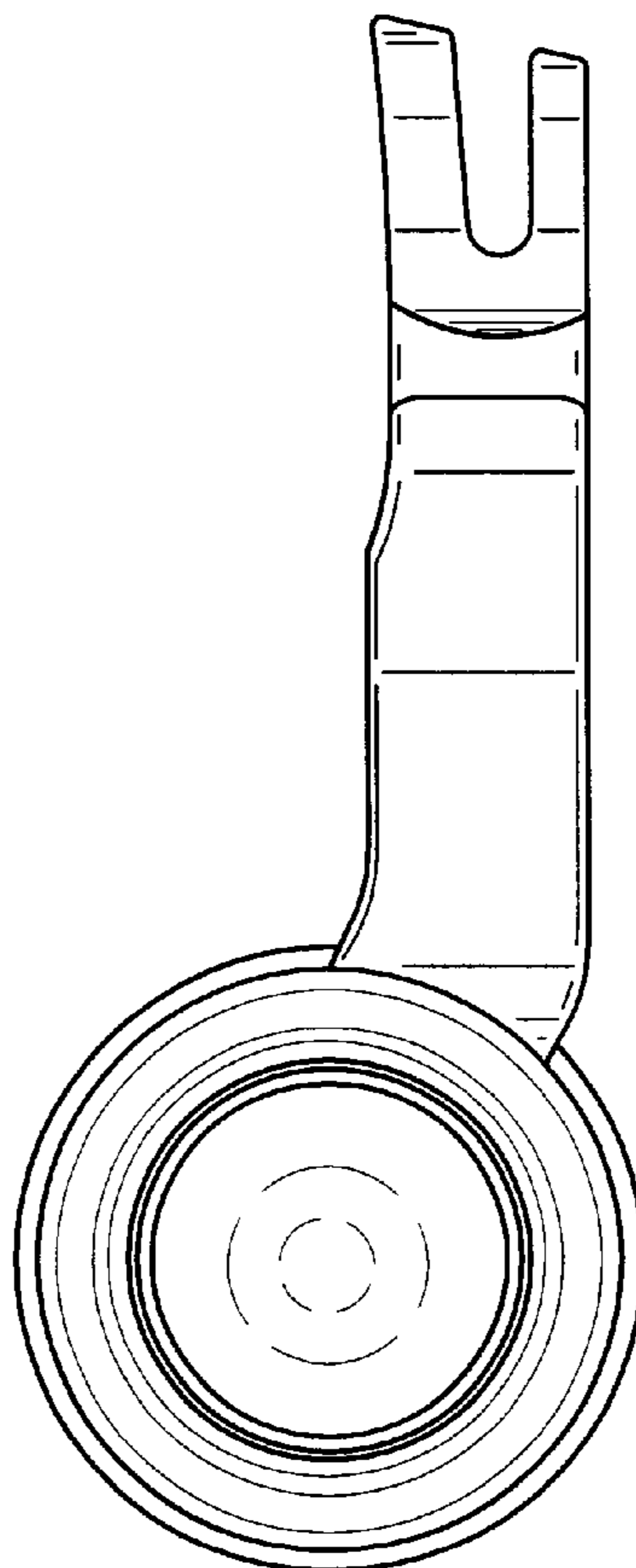


Fig. 5



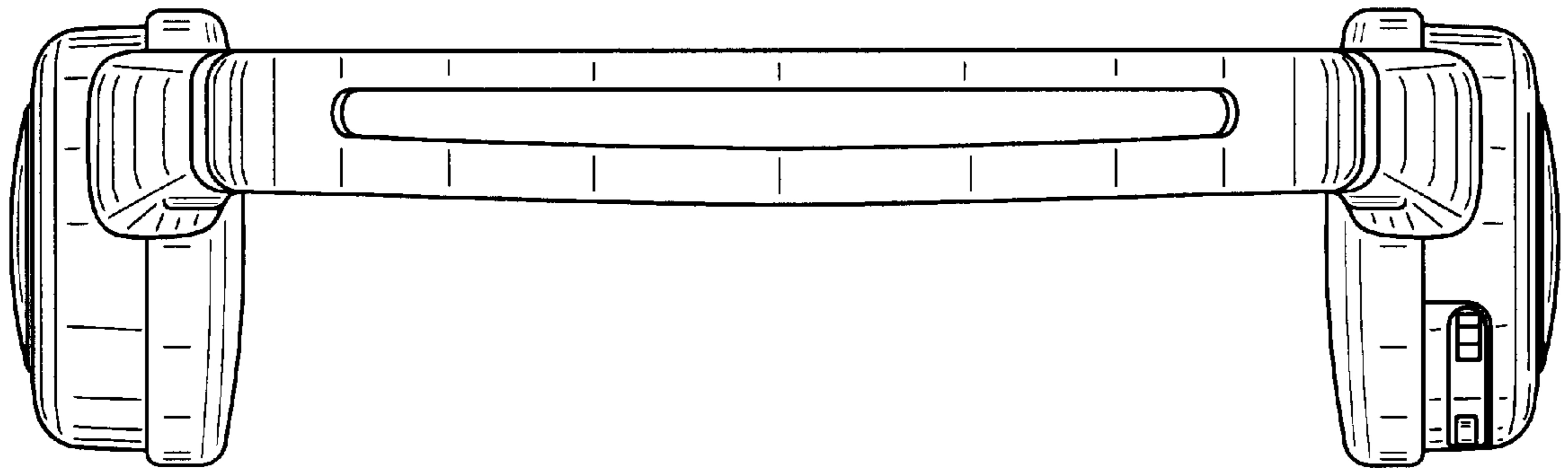


Fig. 6

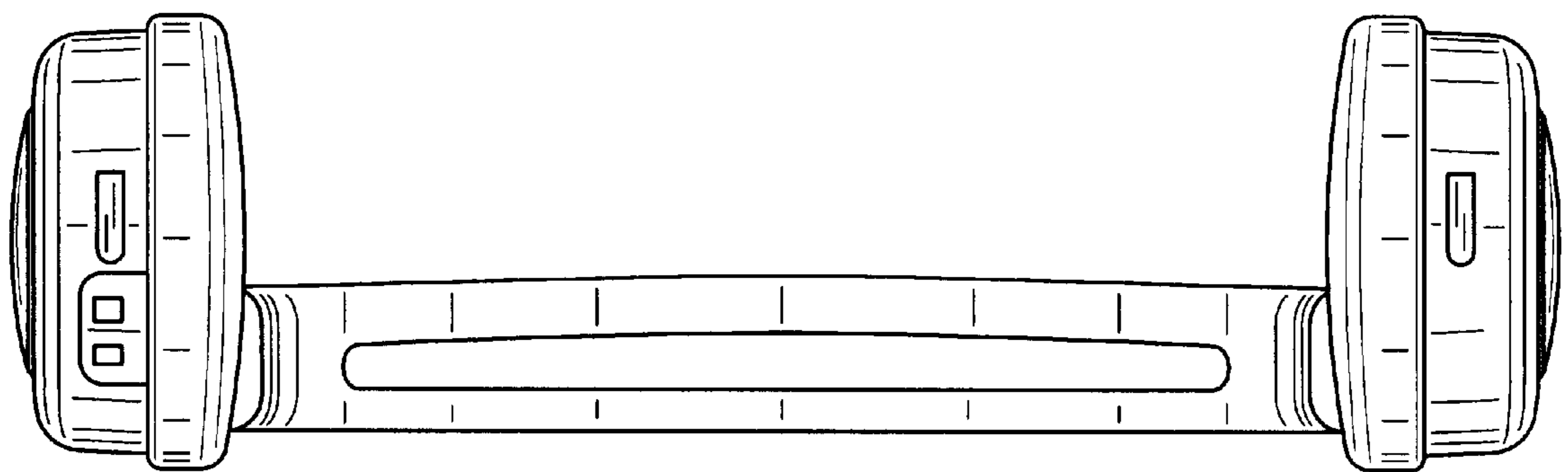


Fig. 7