



US00D484483S

(12) **United States Design Patent**  
**Chan**

(10) **Patent No.:** **US D484,483 S**

(45) **Date of Patent:** **\*\* Dec. 30, 2003**

(54) **TISSUE HOLDER RADIO WITH LCD  
CLOCK**

D376,597 S \* 12/1996 Hiller ..... D14/189  
5,878,893 A \* 3/1999 Micienko ..... 211/13.1  
6,000,658 A \* 12/1999 McCall, Jr. .... 242/599

(75) Inventor: **Yin Chau Chan**, Fo Tan (HK)

\* cited by examiner

(73) Assignee: **Gonica Electronic Co., Ltd.**, New Territories (HK)

*Primary Examiner*—Nanda Bondade

(74) *Attorney, Agent, or Firm*—Rabin & Berdo, P.C.

(\*\*) Term: **14 Years**

(57) **CLAIM**

(21) Appl. No.: **29/174,526**

The ornamental design for a tissue holder radio with LCD clock, as shown and described.

(22) Filed: **Jan. 22, 2003**

**DESCRIPTION**

(51) **LOC (7) Cl.** ..... **14-01**

(52) **U.S. Cl.** ..... **D14/168; D6/519**

(58) **Field of Search** ..... D6/519, 523; D14/168,  
D14/188, 189, 193–198; 4/300.1; 242/598.5,  
598.3, 599; 455/344, 347, 350–351

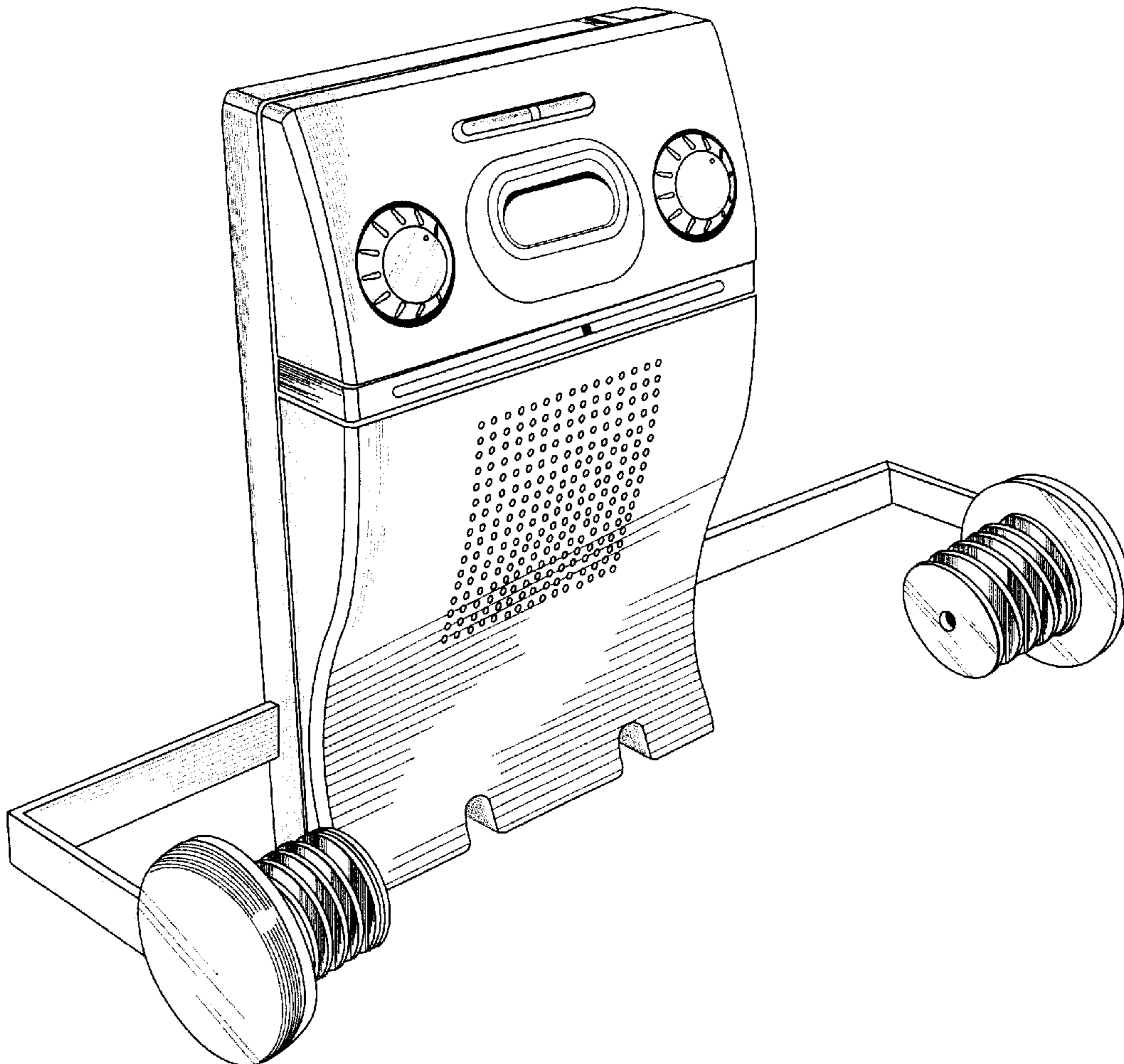
FIG. 1 is a front view of a tissue holder radio with LCD clock showing my new design;  
FIG. 2 is a rear view thereof;  
FIG. 3 is a left-side view thereof;  
FIG. 4 is a right-side view thereof;  
FIG. 5 is a top view thereof;  
FIG. 6 is a bottom view thereof; and,  
FIG. 7 is a perspective view thereof.  
FIGS. 3 and 4 are on an enlarged scale.

(56) **References Cited**

**U.S. PATENT DOCUMENTS**

D214,839 S \* 8/1969 Louis ..... D6/519  
D225,775 S \* 1/1973 Louis ..... D14/168  
D368,819 S \* 4/1996 Lemmons ..... D6/519

**1 Claim, 7 Drawing Sheets**



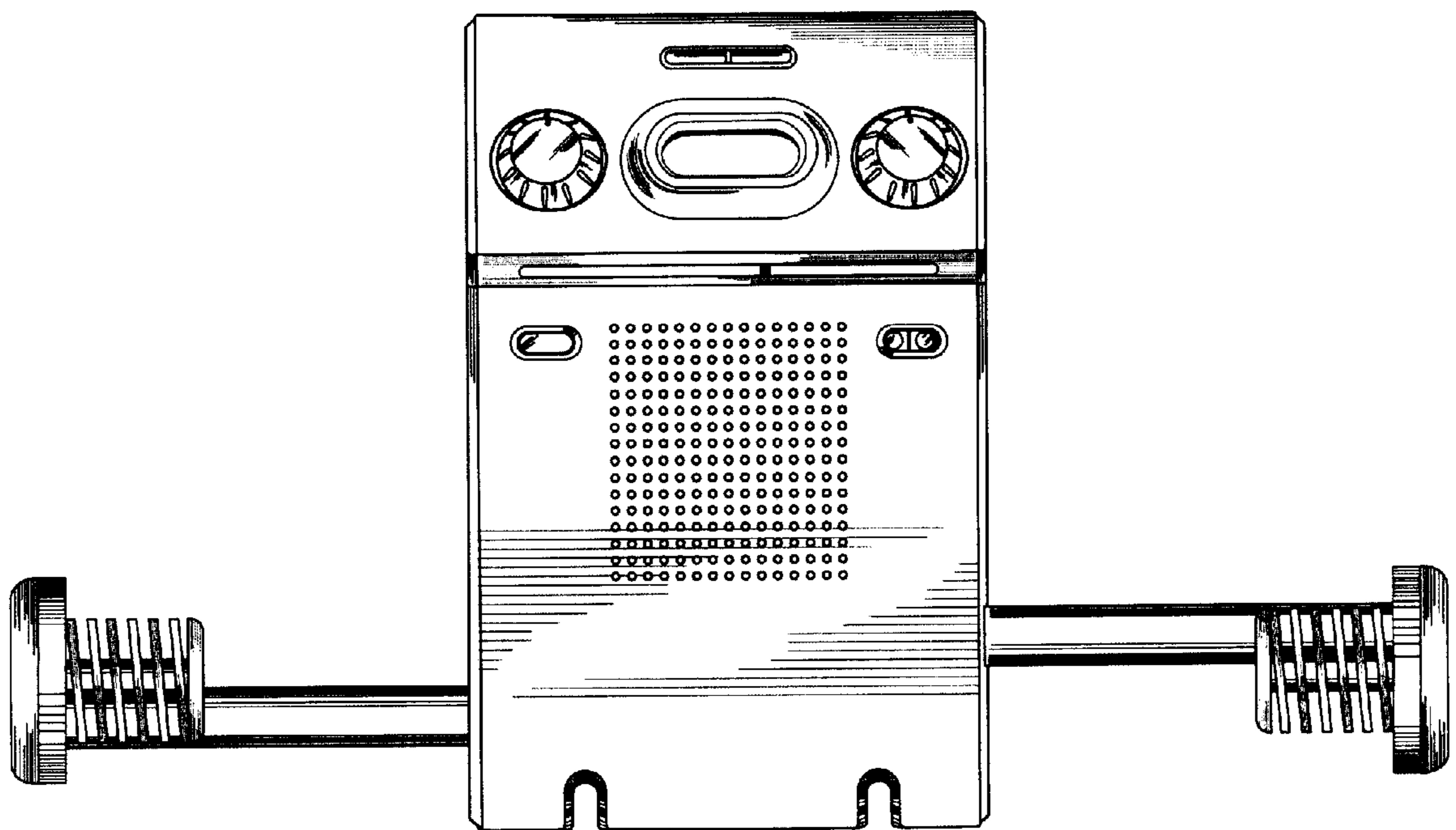


Fig. 1

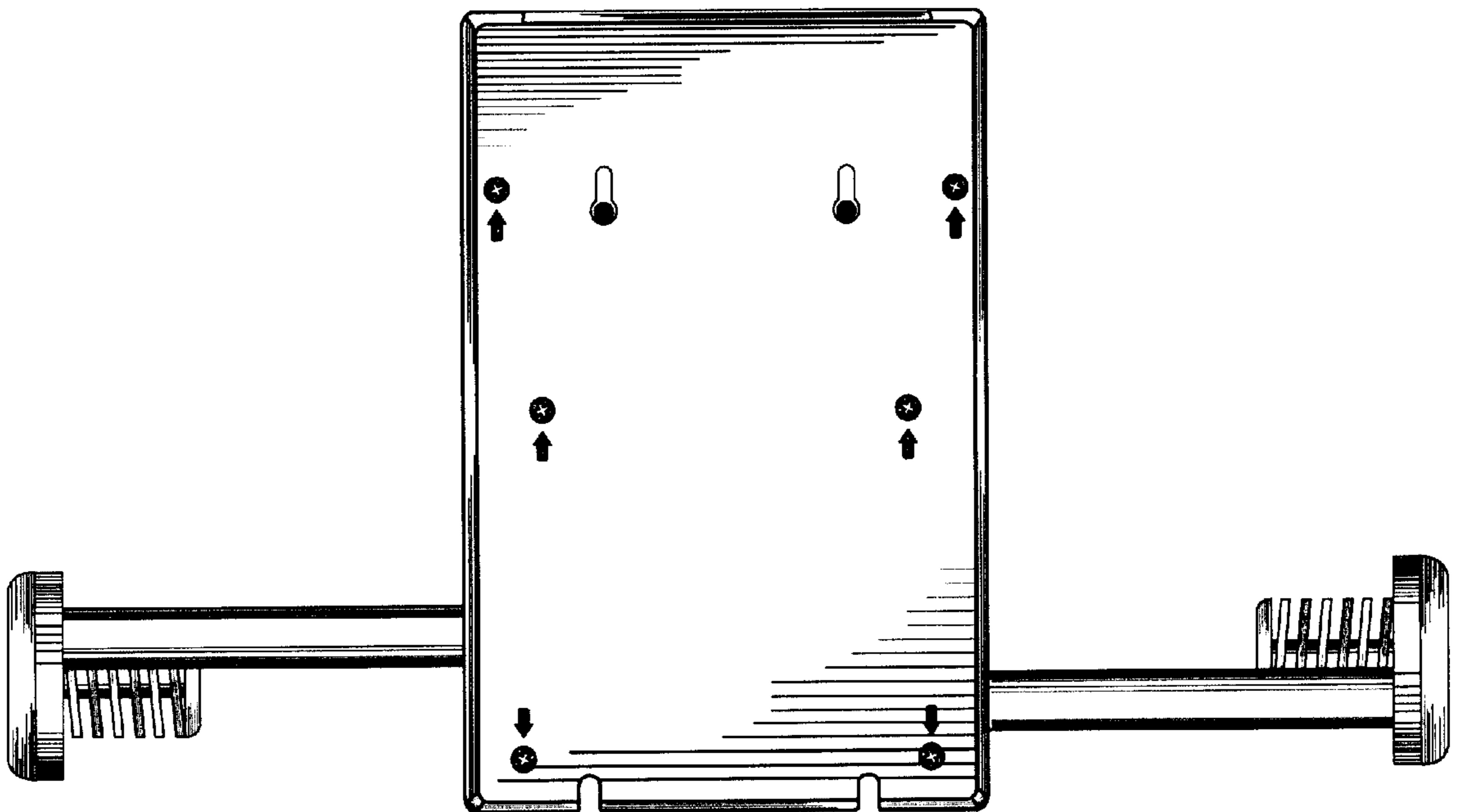


Fig. 2

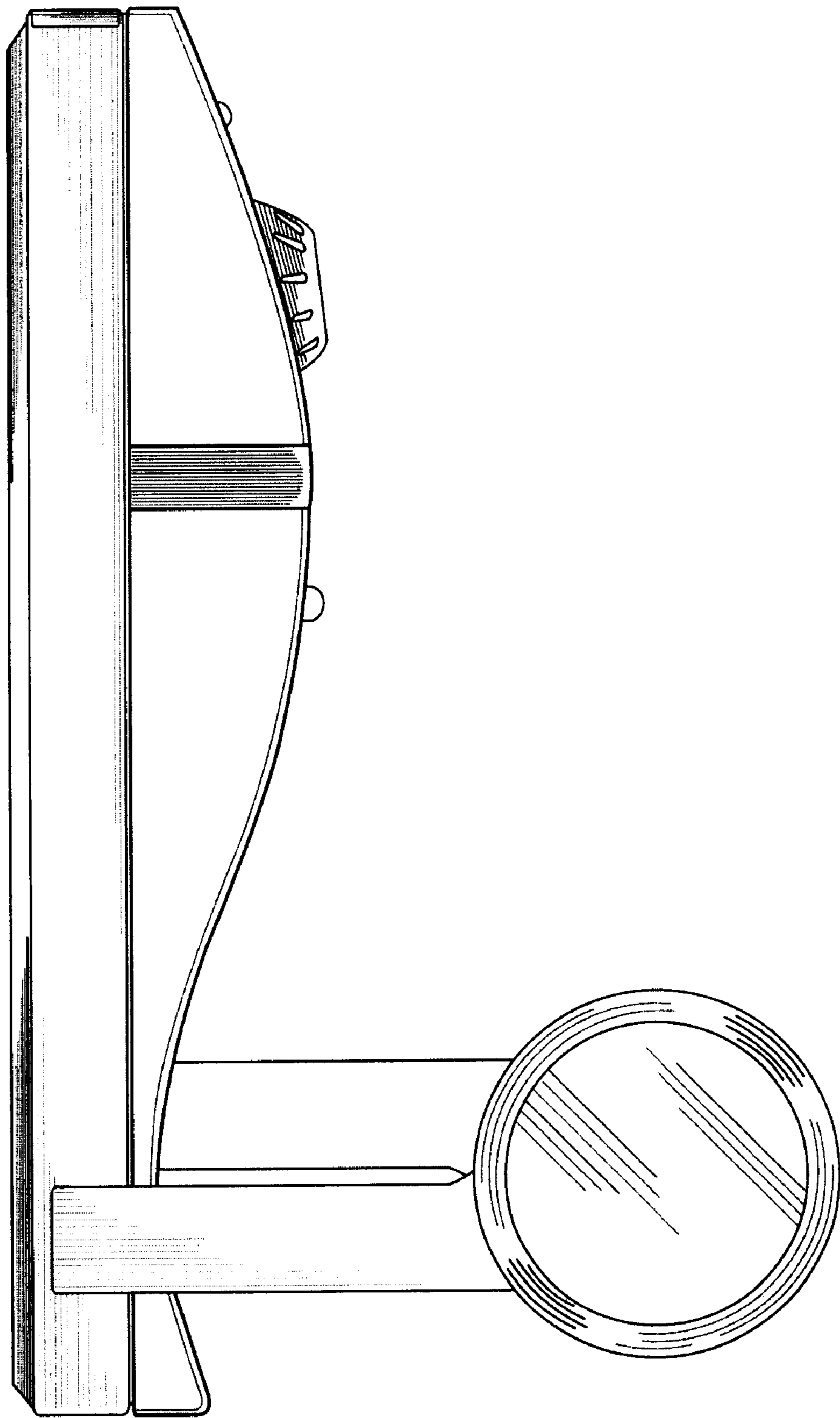


Fig. 3

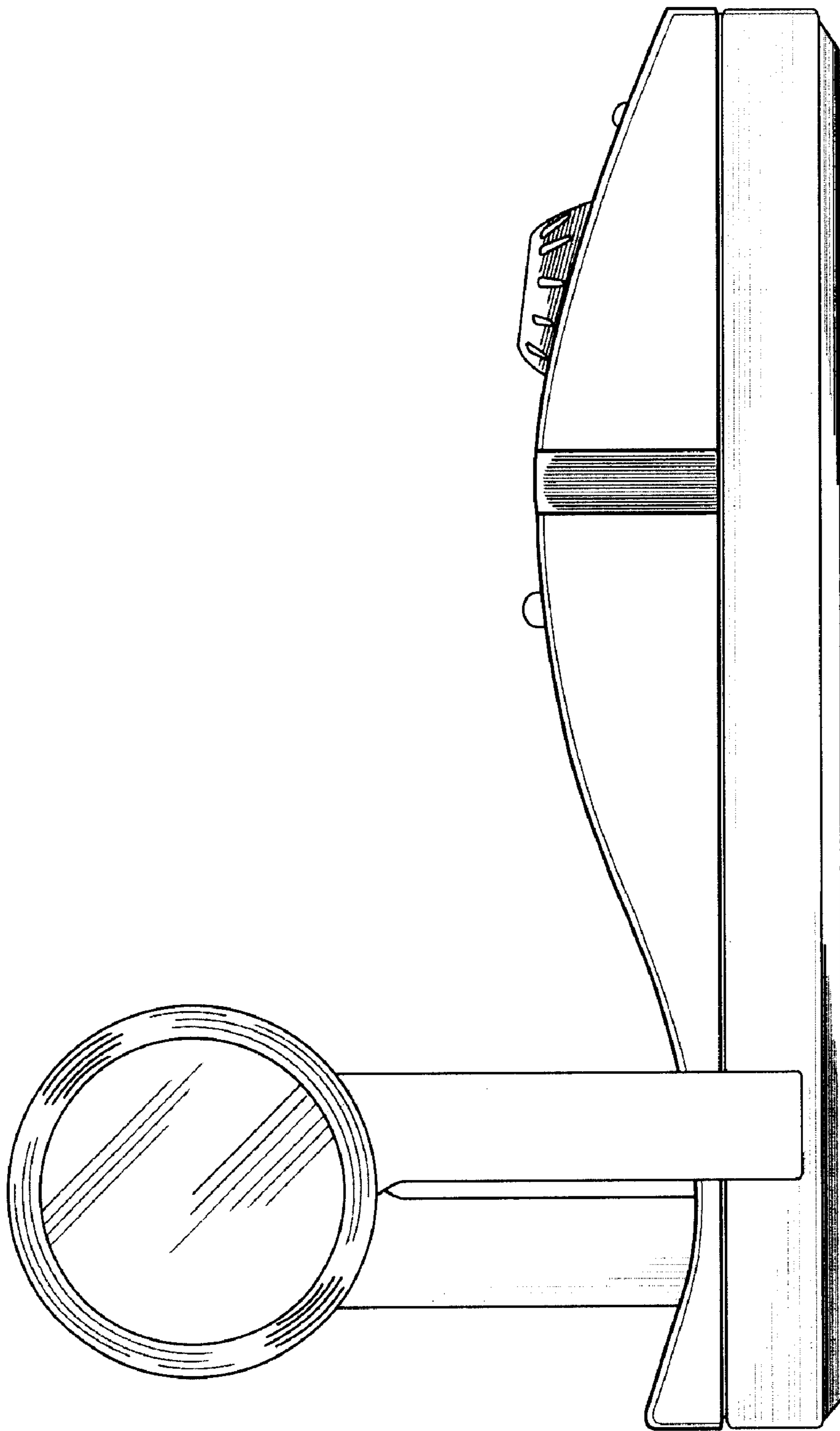


Fig. 4



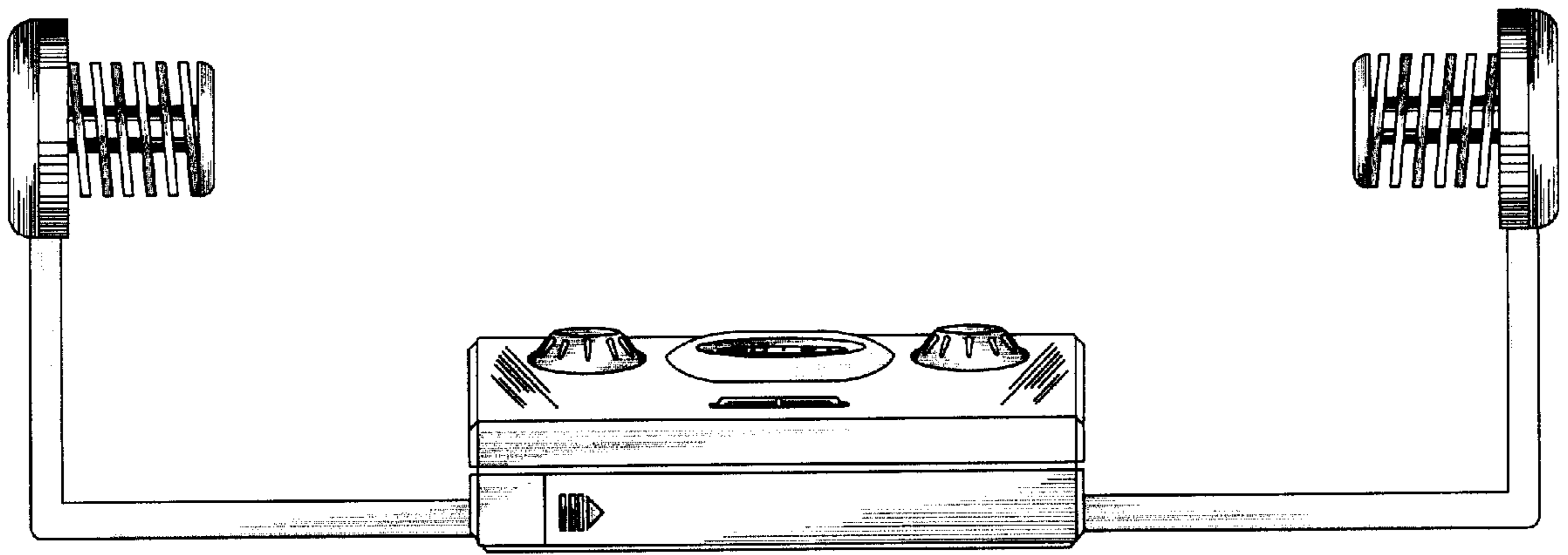


Fig. 5

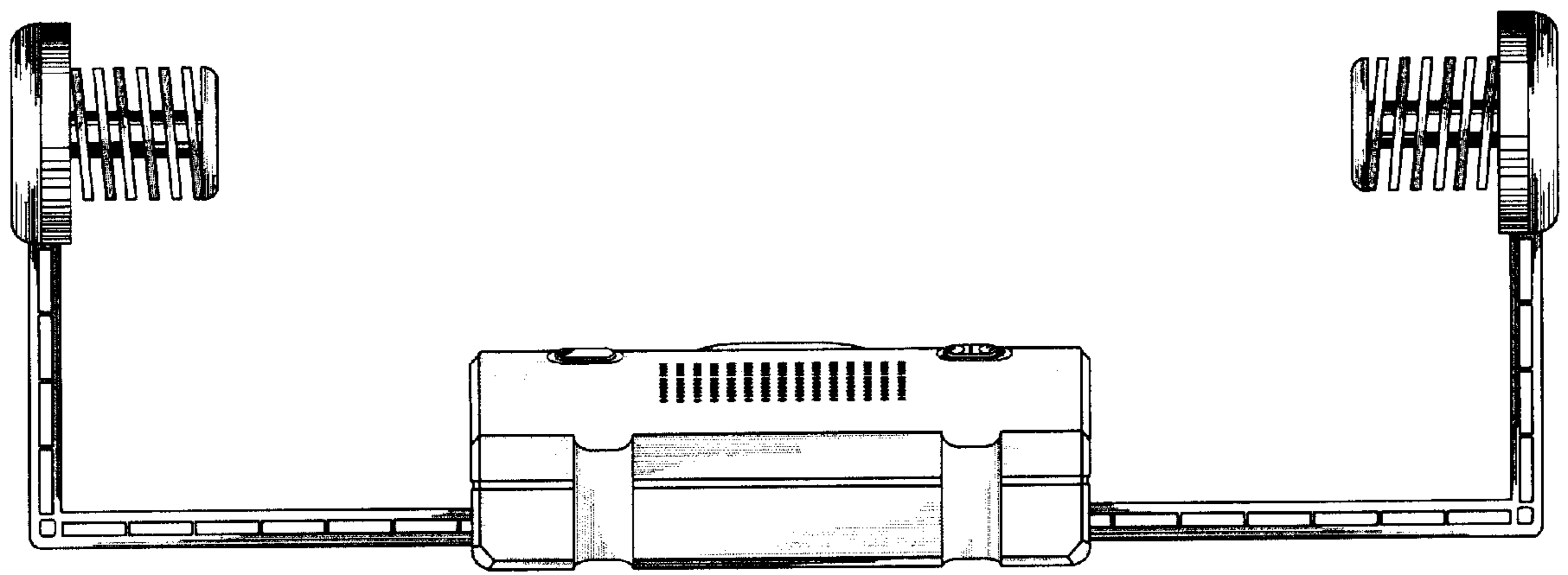


Fig. 6

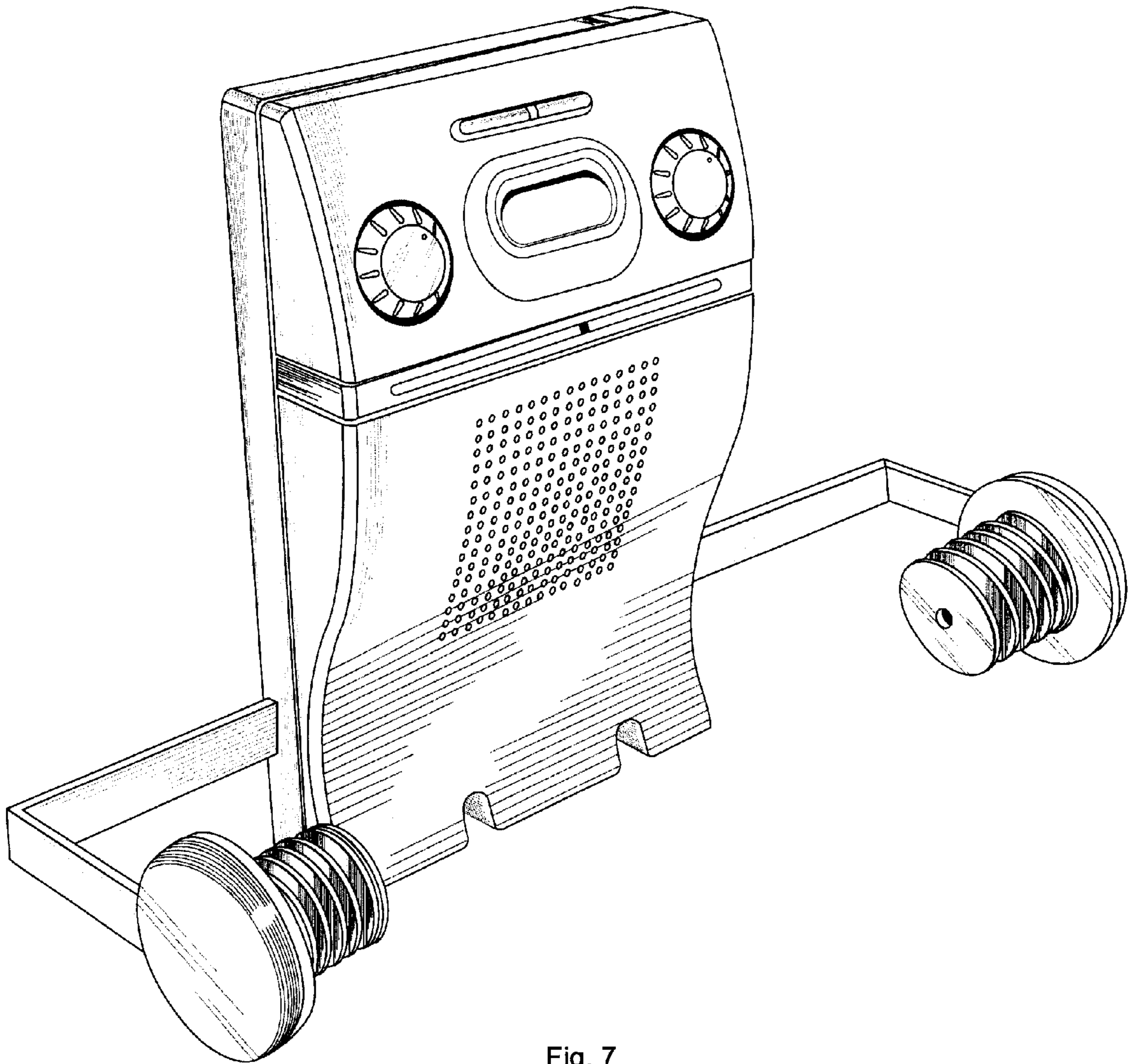


Fig. 7