



US00D484480S

(12) **United States Design Patent**
Tsuge

(10) **Patent No.:** **US D484,480 S**

(45) **Date of Patent:** **** Dec. 30, 2003**

(54) **DISC PLAYER**

(75) Inventor: **Takahiro Tsuge**, Tokyo (JP)

(73) Assignee: **Sony Corporation**, Tokyo (JP)

(**) Term: **14 Years**

(21) Appl. No.: **29/167,001**

(22) Filed: **Sep. 9, 2002**

(51) **LOC (7) Cl.** **14-01**

(52) **U.S. Cl.** **D14/156**

(58) **Field of Search** D14/135-136,
D14/156-157, 167-168, 188, 193-198,
257-258; 369/75.1, 75.2, 77.1, 77.2; 455/344,
347, 350-351

(56) **References Cited**

U.S. PATENT DOCUMENTS

D365,561 S	*	12/1995	Khadivar	D14/156
D399,202 S	*	10/1998	Kanatani	D14/156
D431,243 S	*	9/2000	Oba		
D445,773 S	*	7/2001	Fenner	D14/156
D448,768 S	*	10/2001	Suzuki		
D461,175 S	*	8/2002	Yokota	D14/168

OTHER PUBLICATIONS

Web page "SonyDrive, DVD video," <http://www.sony.jp/products/Models/Library/DVP-F15.html>, 2 sheets, SONY (Mar. 2002).*

* cited by examiner

Primary Examiner—Nanda Bondade

(74) *Attorney, Agent, or Firm*—Rader, Fishman & Grauer PLLC

(57) **CLAIM**

The ornamental design for a disc player, as shown.

DESCRIPTION

FIG. 1 is a perspective view of a disc player showing my new design;

FIG. 2 is a front elevational view thereof;

FIG. 3 is a rear elevational view thereof;

FIG. 4 is a left side elevational view thereof;

FIG. 5 is a right side elevational view thereof;

FIG. 6 is a top plan view thereof; and,

FIG. 7 is a bottom plan view thereof.

1 Claim, 4 Drawing Sheets

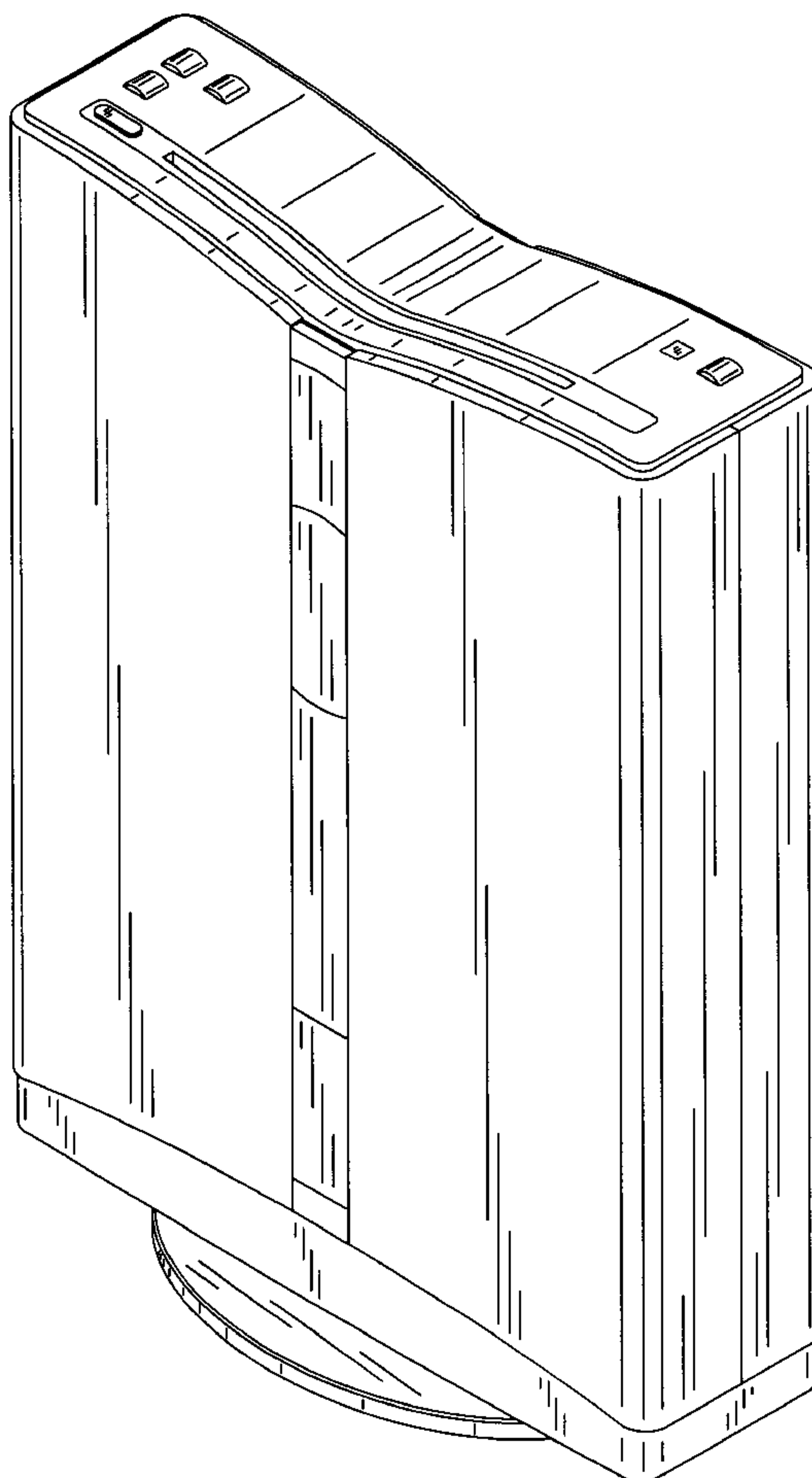


Fig. 1

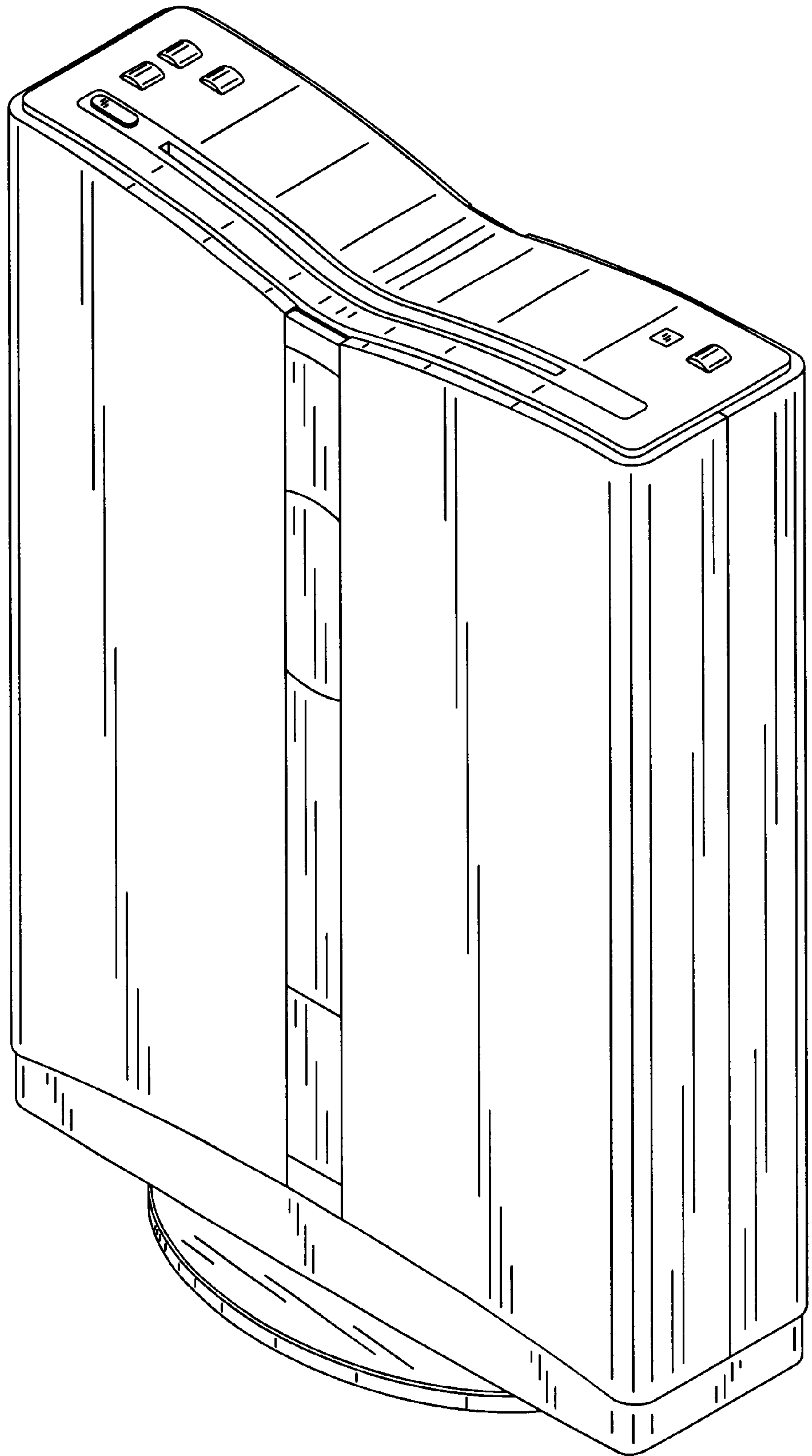


Fig. 2

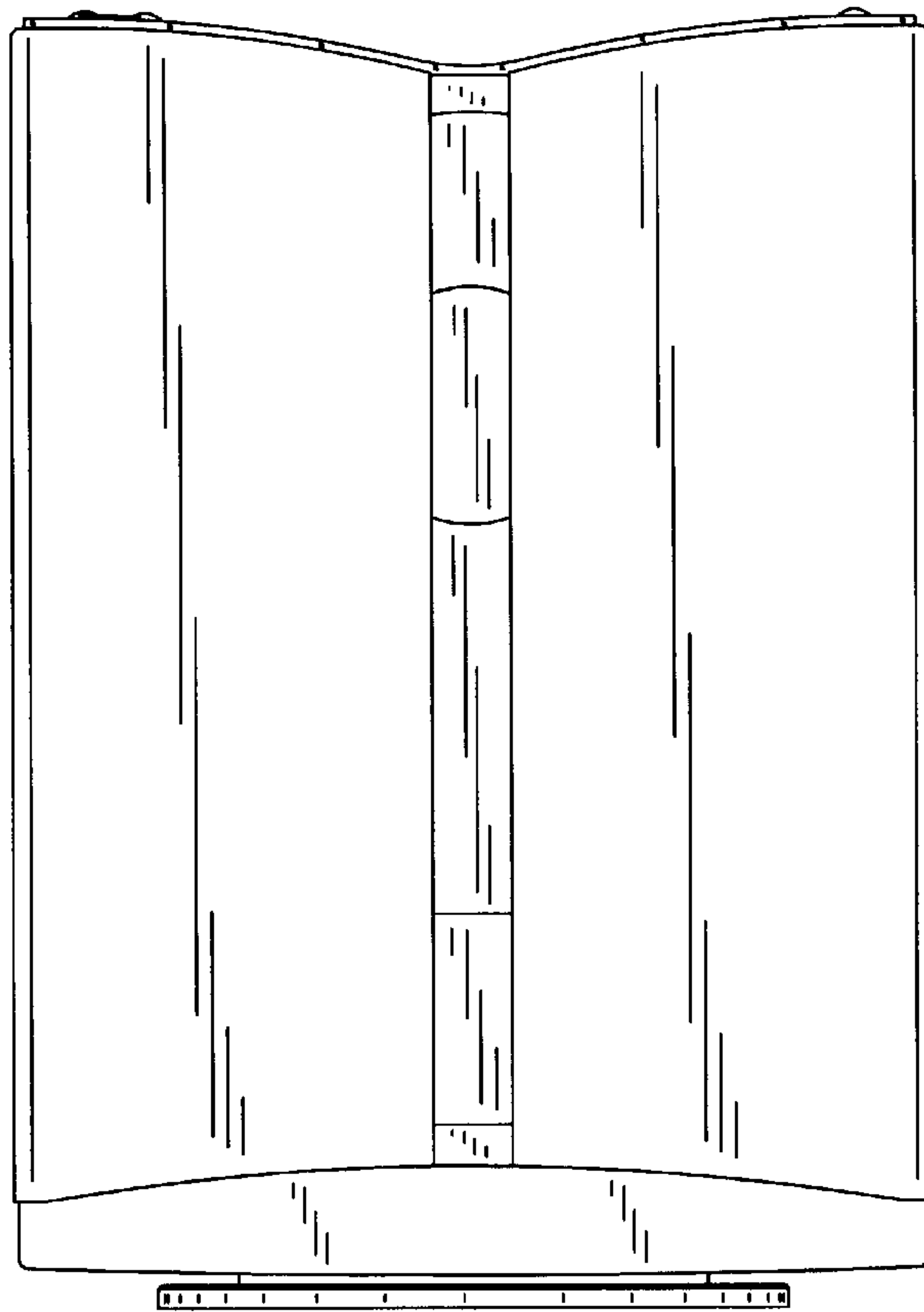
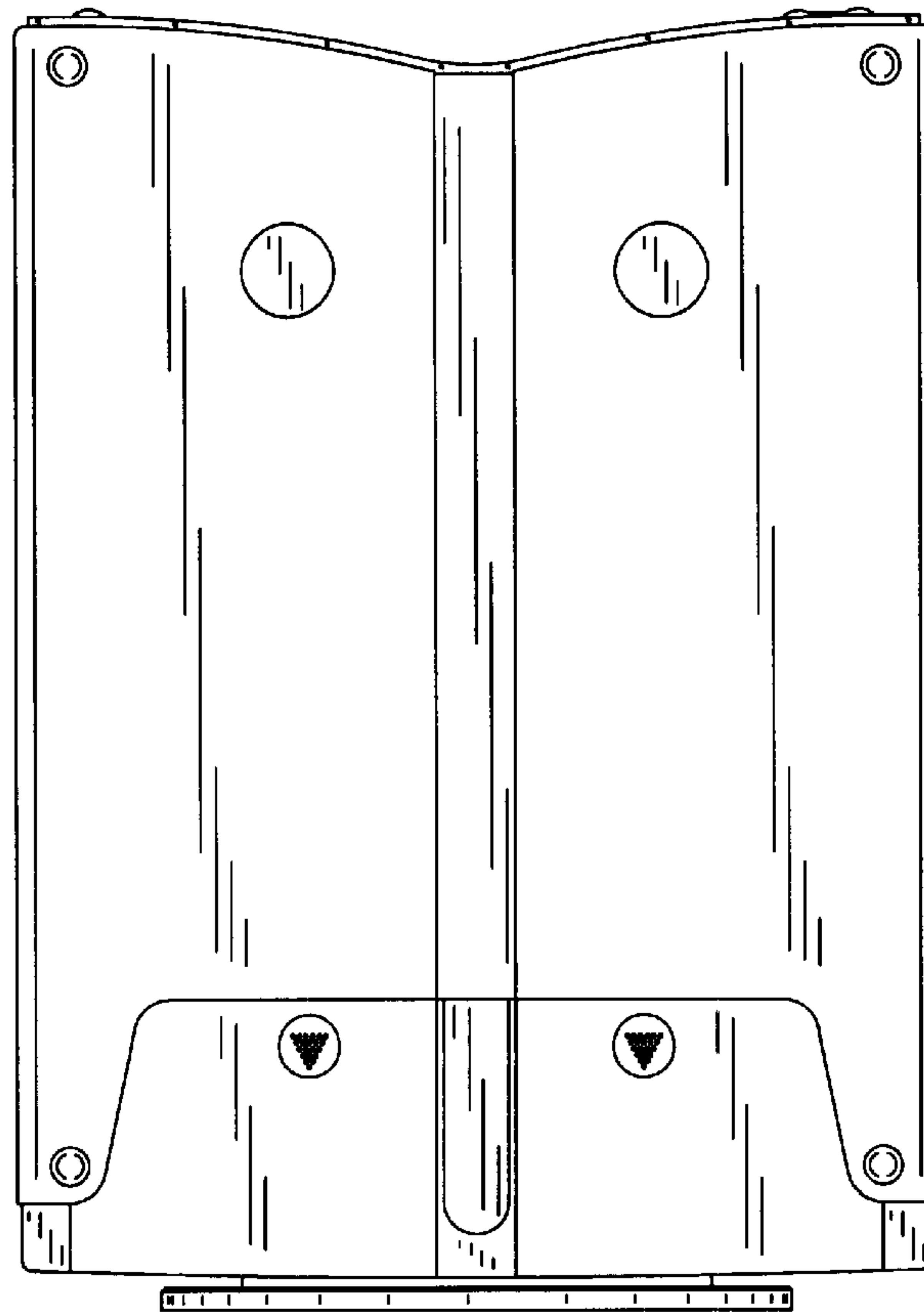


Fig. 3



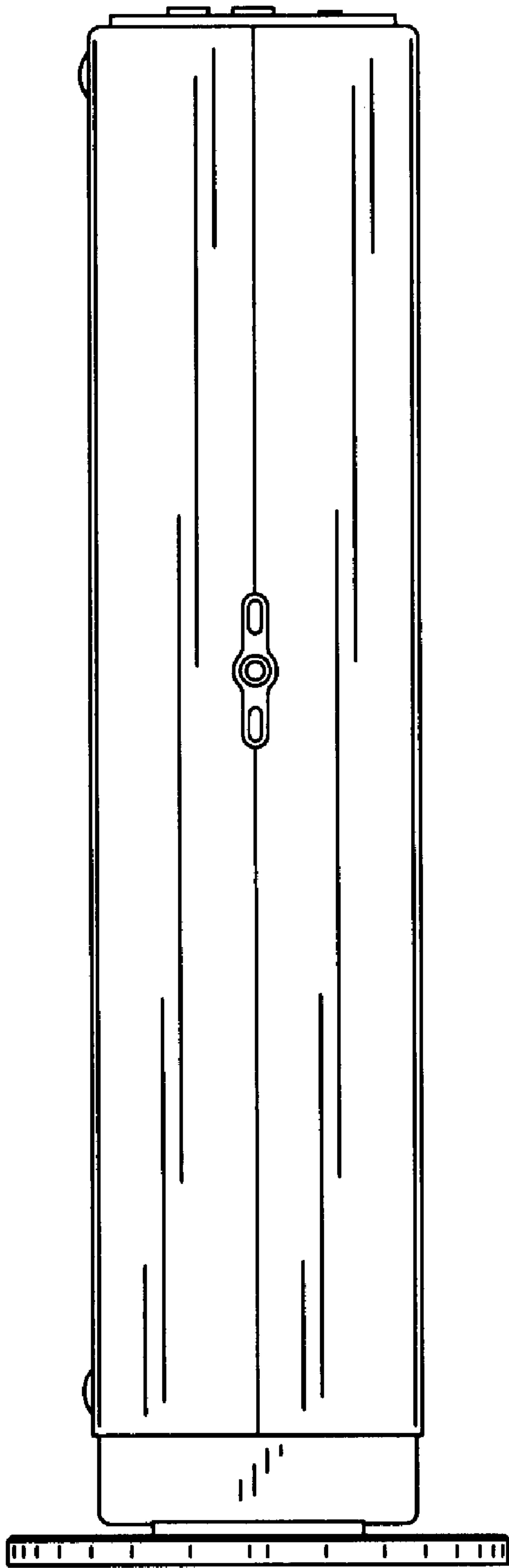


Fig. 4

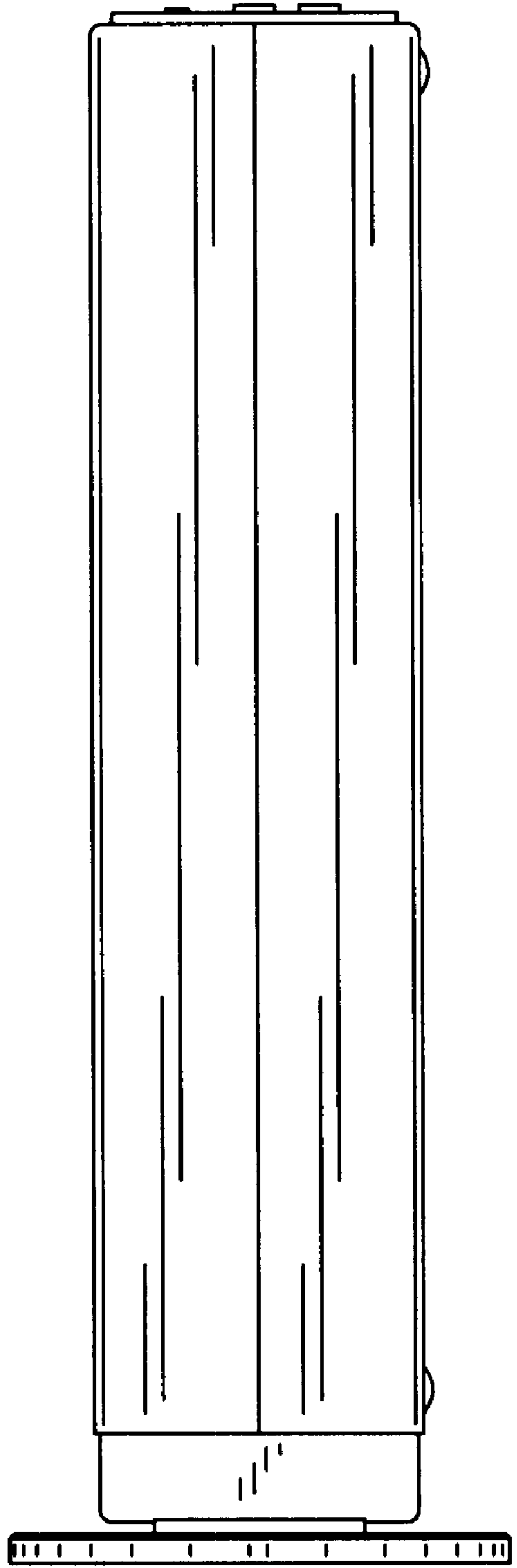


Fig. 5

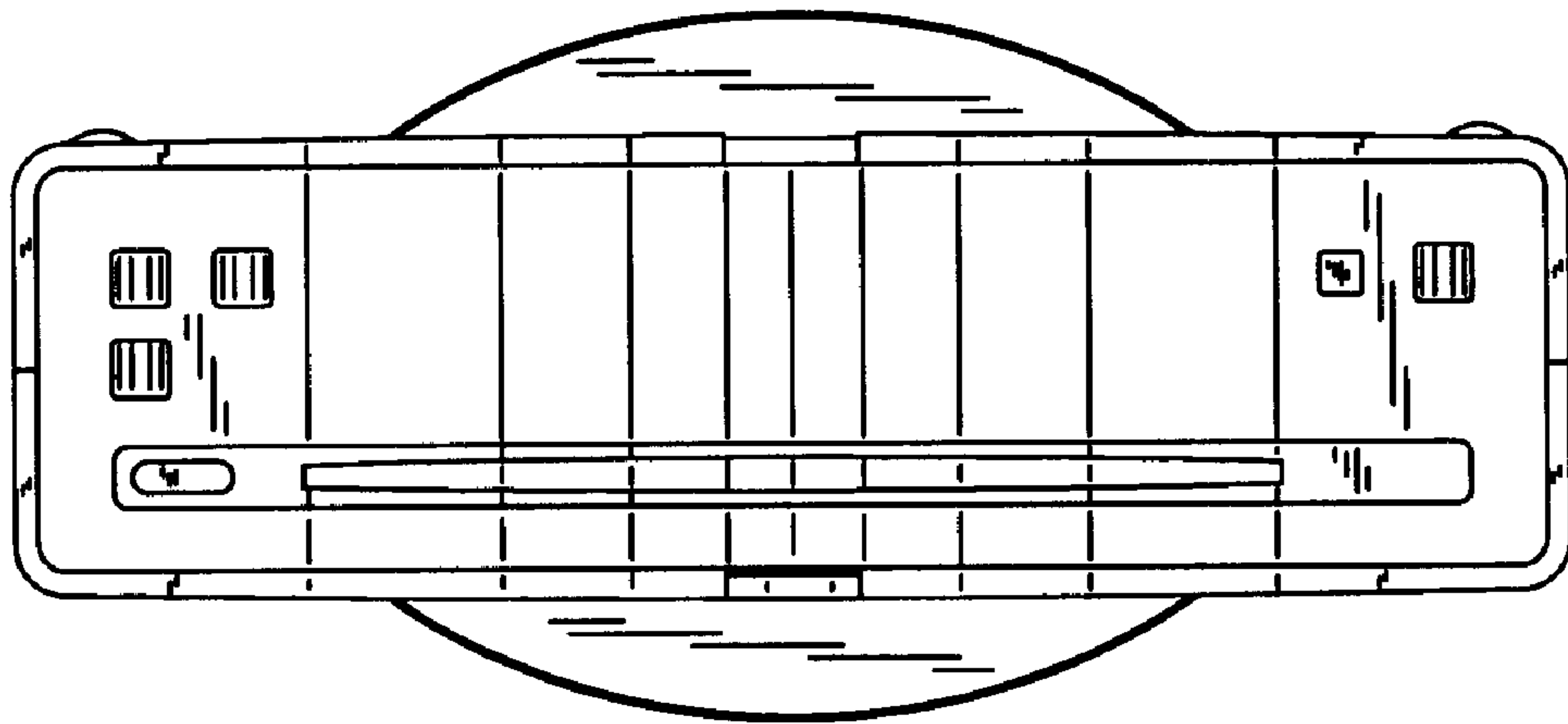


Fig. 6

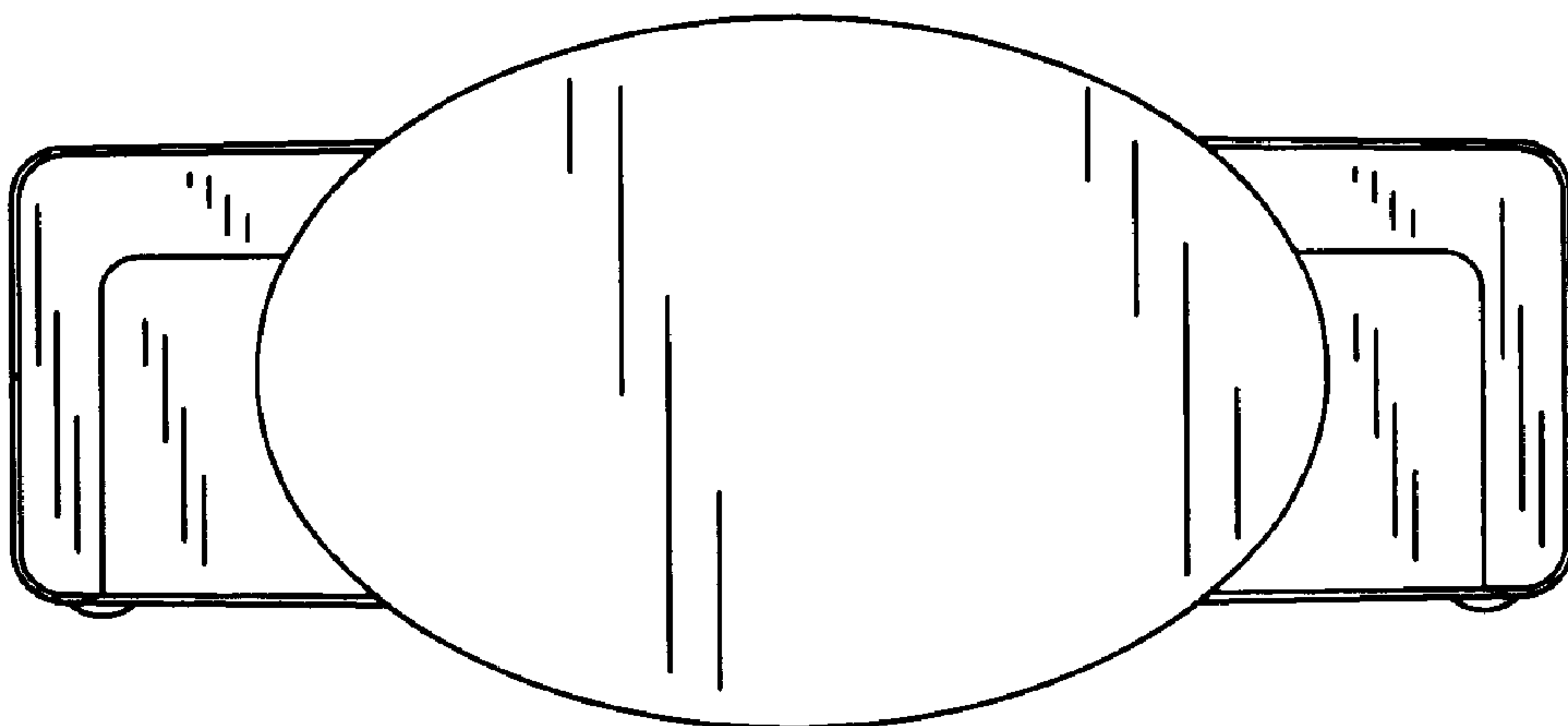


Fig. 7