



US00D484472S

(12) **United States Design Patent**
Isshiki

(10) **Patent No.:** **US D484,472 S**

(45) **Date of Patent:** **** Dec. 30, 2003**

(54) **DIGITAL VIDEO DISK PLAYER WITH DISPLAY**

D456,373 S * 4/2002 Usami et al. D14/136

FOREIGN PATENT DOCUMENTS

(75) Inventor: **Masao Isshiki**, Yokohama (JP)

JP 1125518 11/2001

(73) Assignee: **Kabushiki Kaisha Toshiba** (JP)

* cited by examiner

(**) Term: **14 Years**

Primary Examiner—Nanda Bondade

(74) *Attorney, Agent, or Firm*—Banner & Witcoff, Ltd.

(21) Appl. No.: **29/178,684**

(57) **CLAIM**

(22) Filed: **Mar. 31, 2003**

The ornamental design for a digital video disk player with display, as shown and described.

(30) **Foreign Application Priority Data**

DESCRIPTION

Jan. 7, 2003 (JP) 2003-000120

(51) **LOC (7) Cl.** **14-03**

FIG. 1 is a top, front and right side perspective view of a digital video disk player with display showing my new design,

(52) **U.S. Cl.** **D14/132; D14/136; D14/129**

FIG. 2 is a front elevational view thereof,

(58) **Field of Search** D14/135–136, D14/156–157, 160–164, 167–168, 188, 318–319, 496, 132, 129; 362/26–27, 86, 253; 369/6–7, 75.1, 75.2, 77.1, 77.2; 455/344, 347, 350–351

FIG. 3 is a rear elevational view thereof,

FIG. 4 is a left side elevational view thereof,

FIG. 5 is a right side elevational view thereof,

FIG. 6 is a top plan view thereof,

FIG. 7 is a bottom plan view thereof,

(56) **References Cited**

U.S. PATENT DOCUMENTS

- 5,265,083 A * 11/1993 Ishii et al. 369/75.2
- D377,648 S * 1/1997 Young D14/136
- 5,870,367 A * 2/1999 Yamamori 369/75.1
- D415,761 S * 10/1999 Pinchuk D14/168
- D424,050 S * 5/2000 Sakamoto et al. D14/136
- D435,527 S 12/2000 Iino et al.
- D438,853 S 3/2001 Iino
- D447,738 S * 9/2001 Usami et al. D14/136

FIG. 8 is a front elevational view showing the article in a closed position thereof,

FIG. 9 is a right side elevational view showing the article in the closed position thereof,

FIG. 10 is a top plan view showing the article in the closed position thereof; and,

FIG. 11 is a top, front and right side perspective view showing the article with a tray cover being opened.

1 Claim, 6 Drawing Sheets

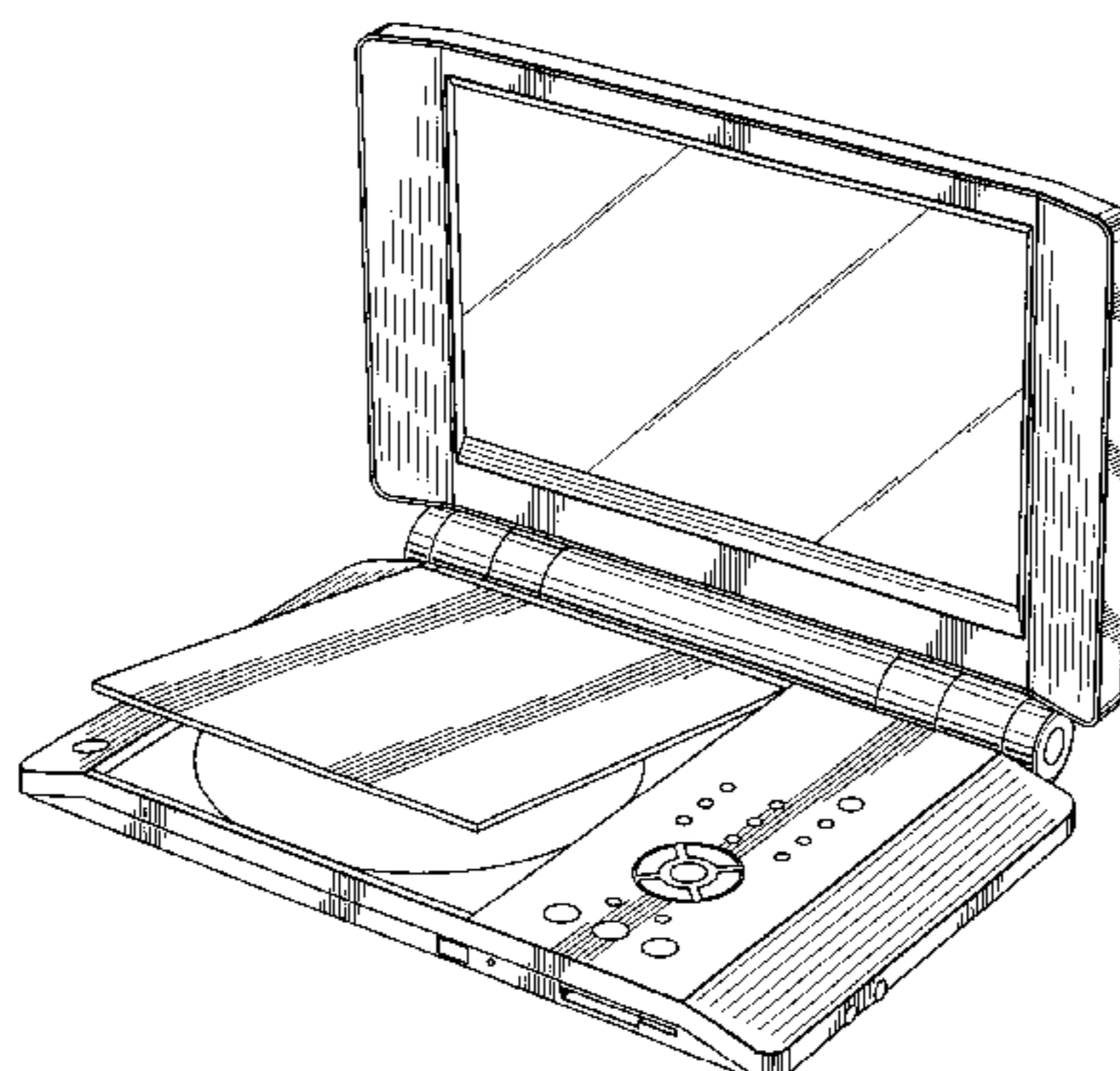
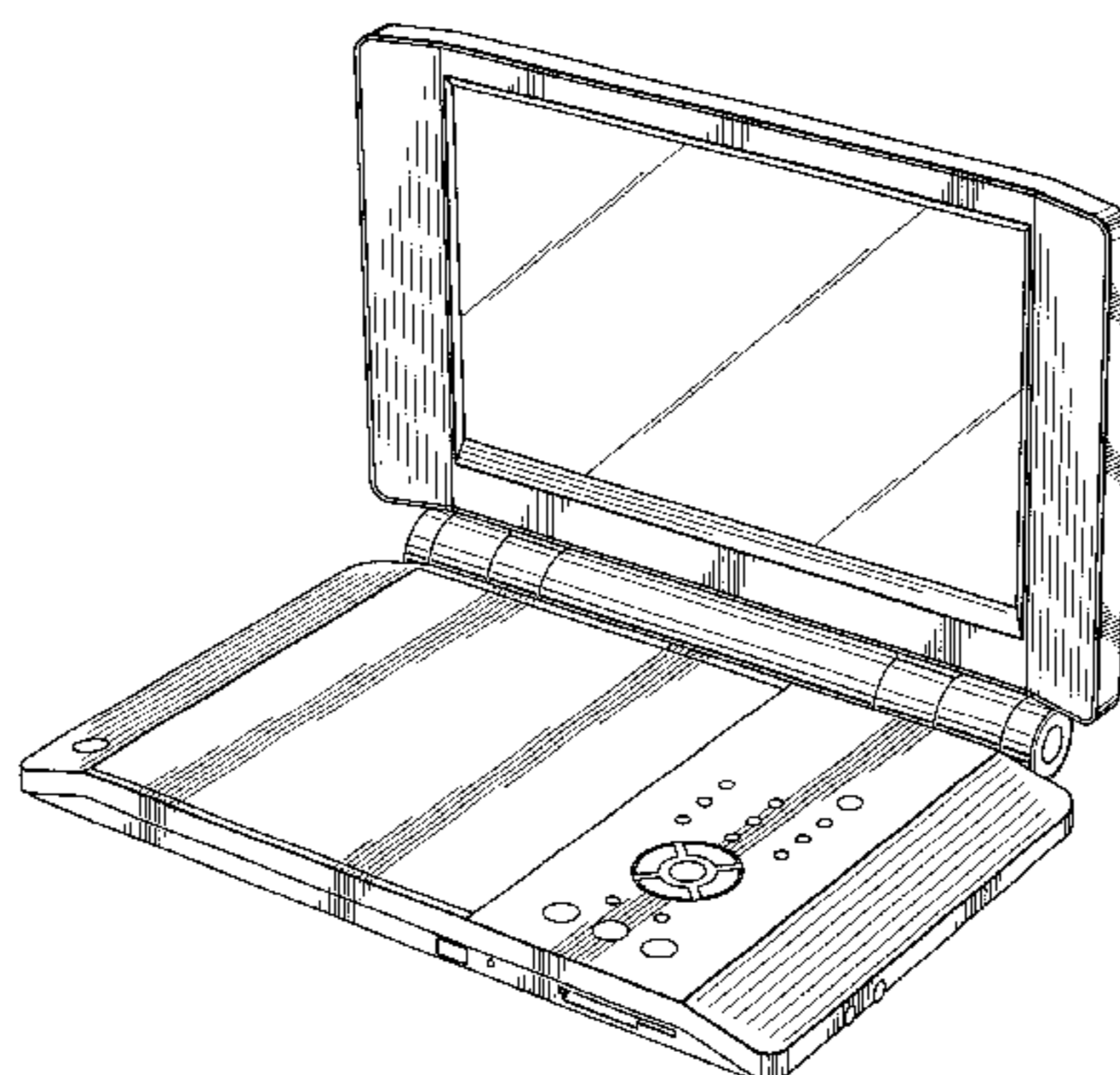


FIG. 1

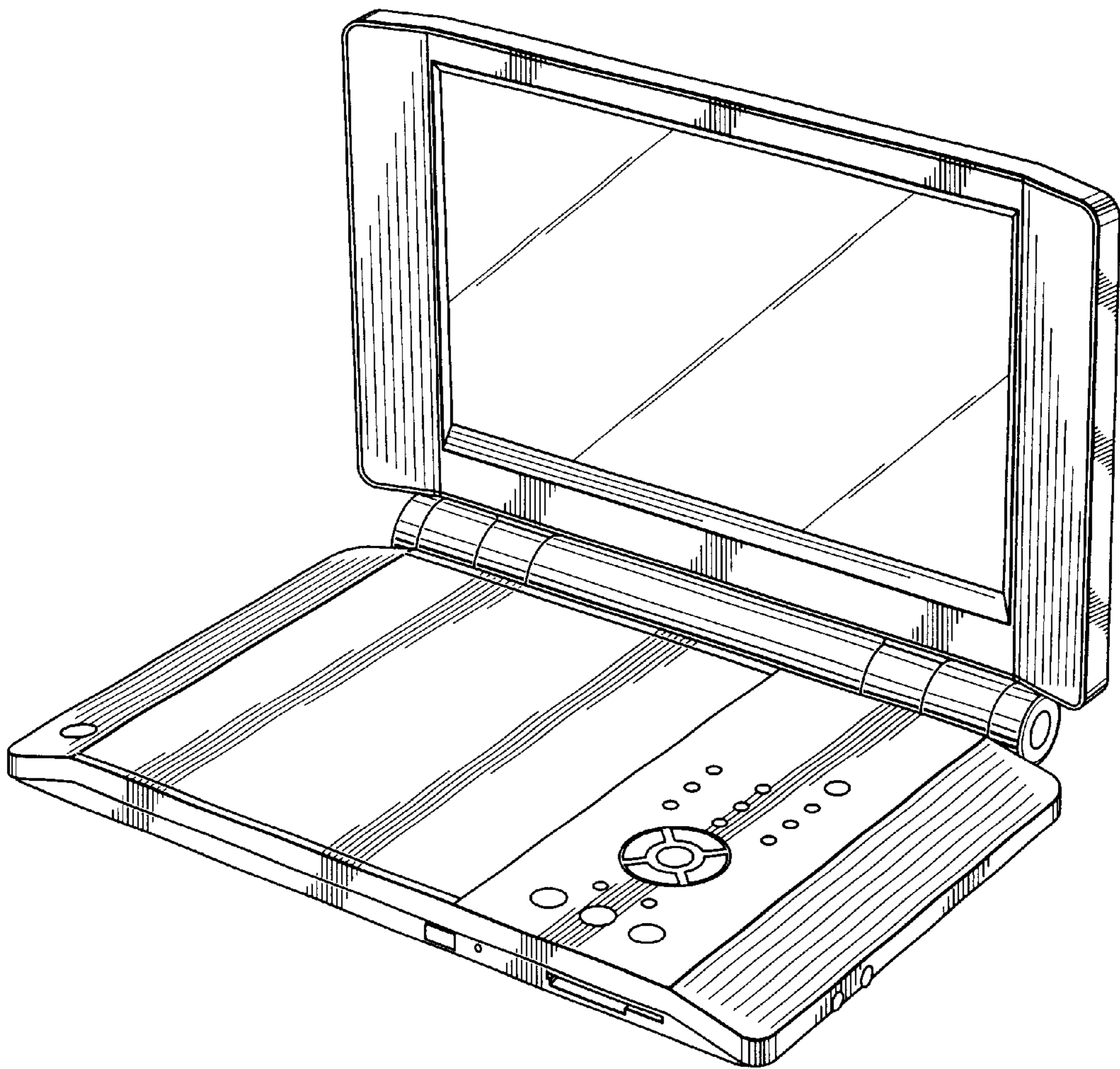


FIG. 2

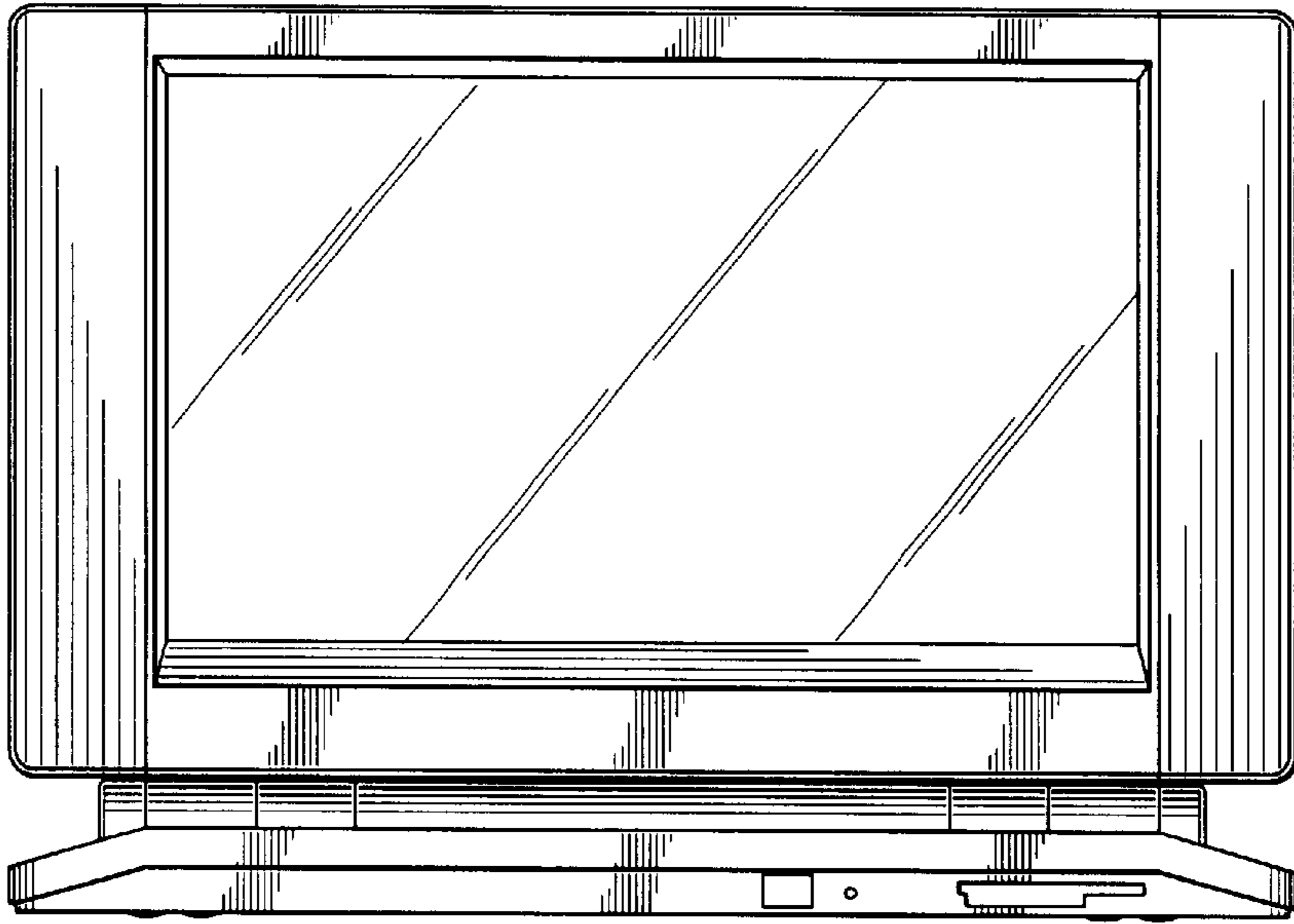


FIG. 3

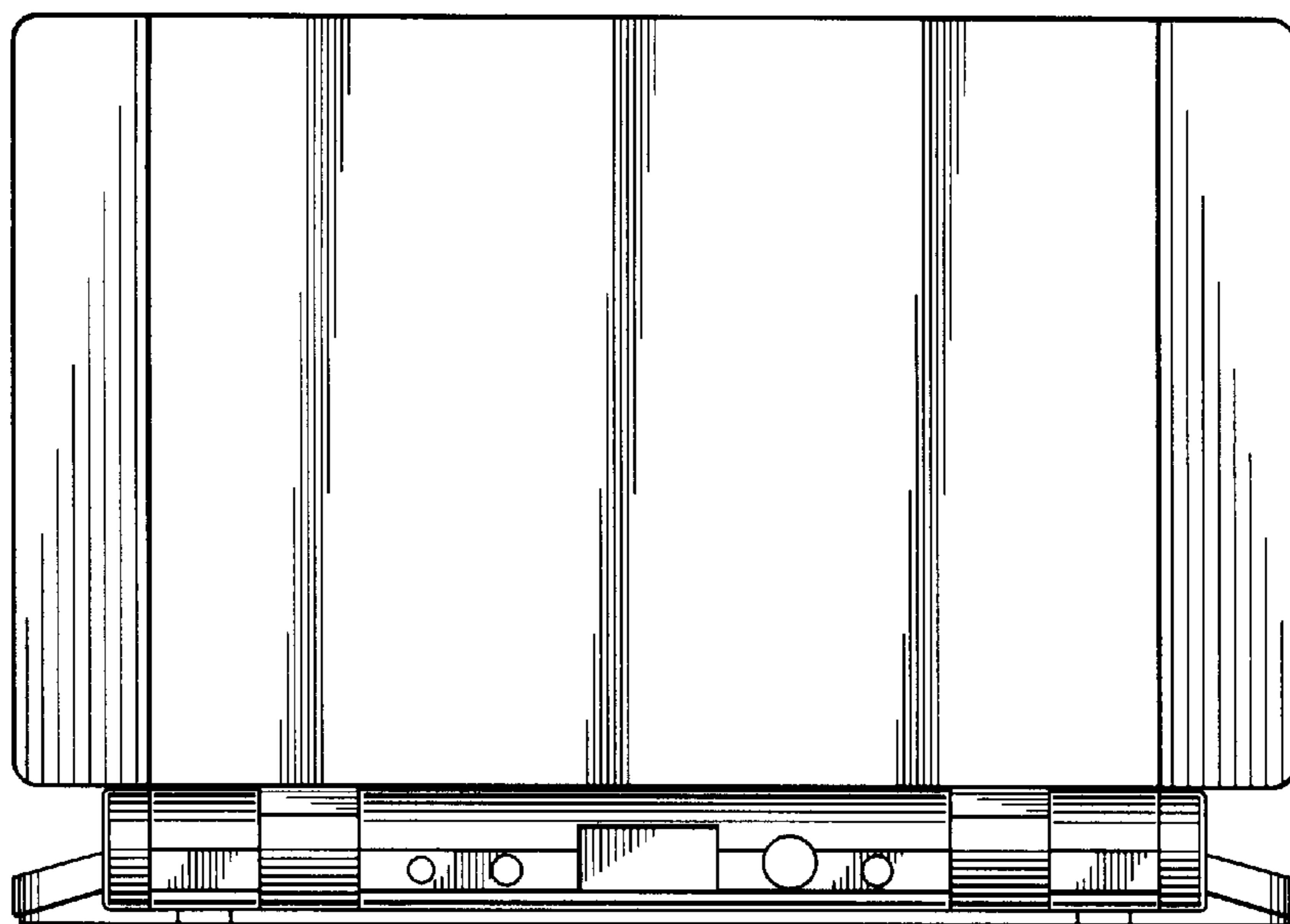


FIG. 4

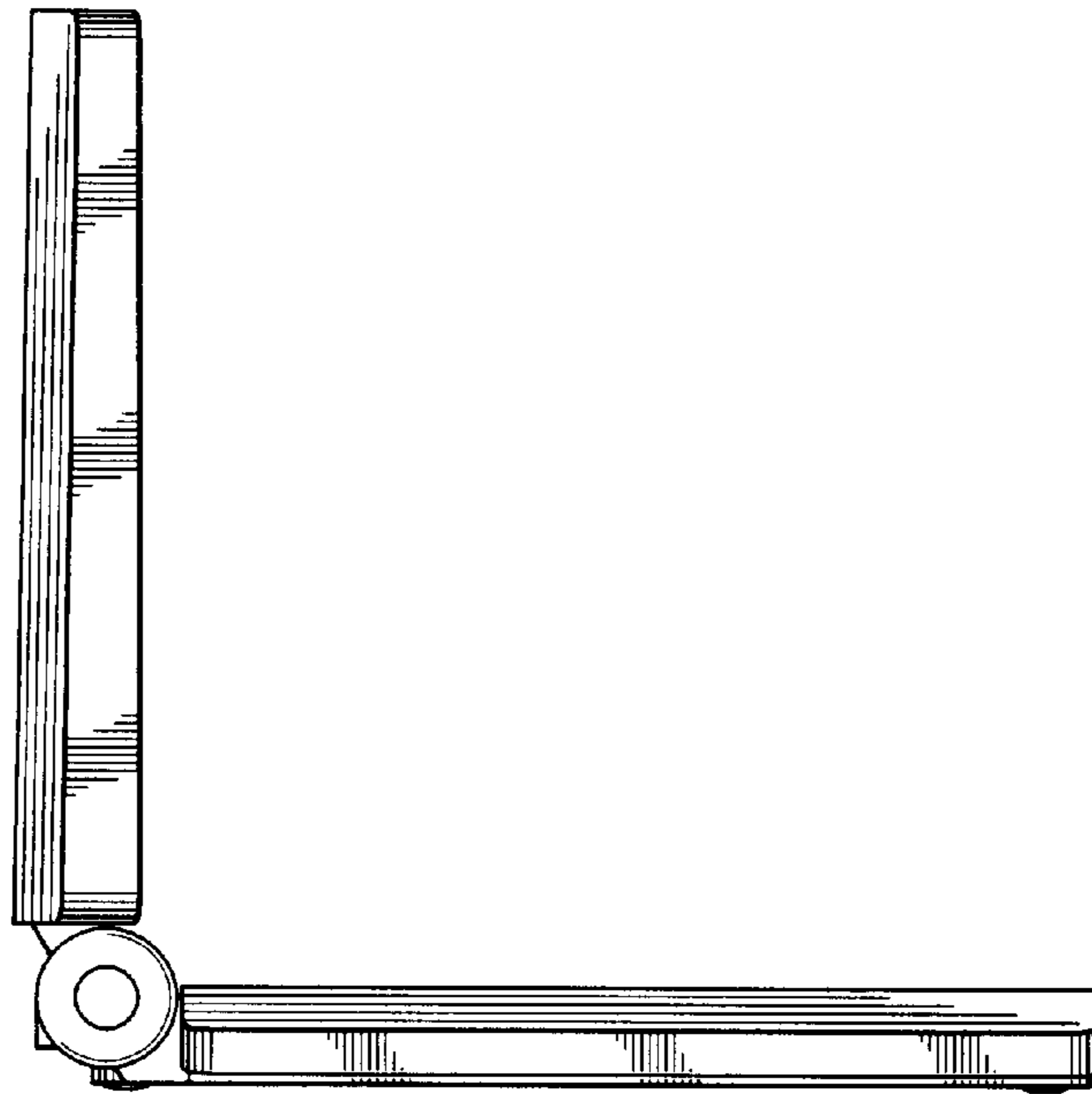


FIG. 5

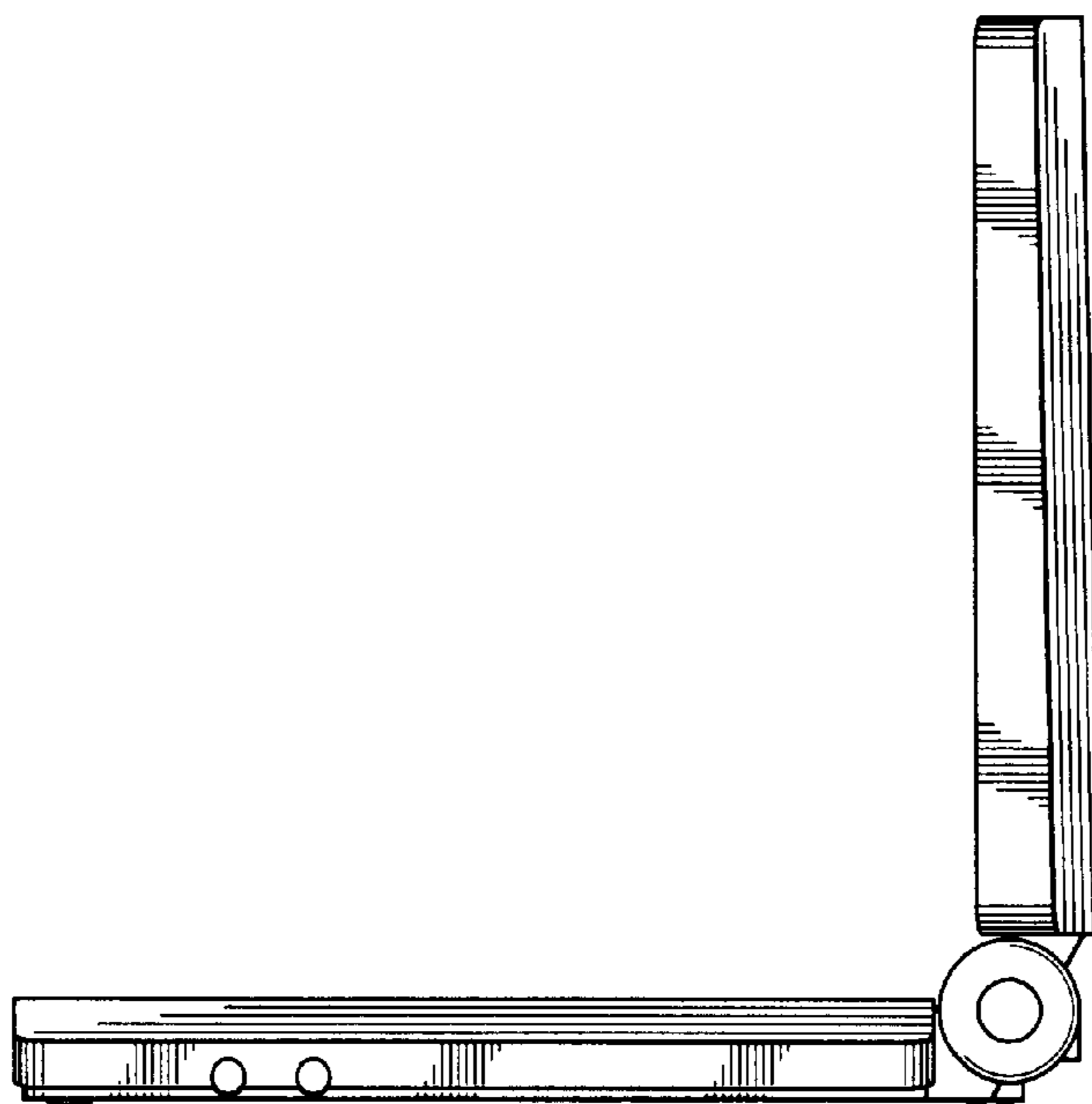


FIG. 6

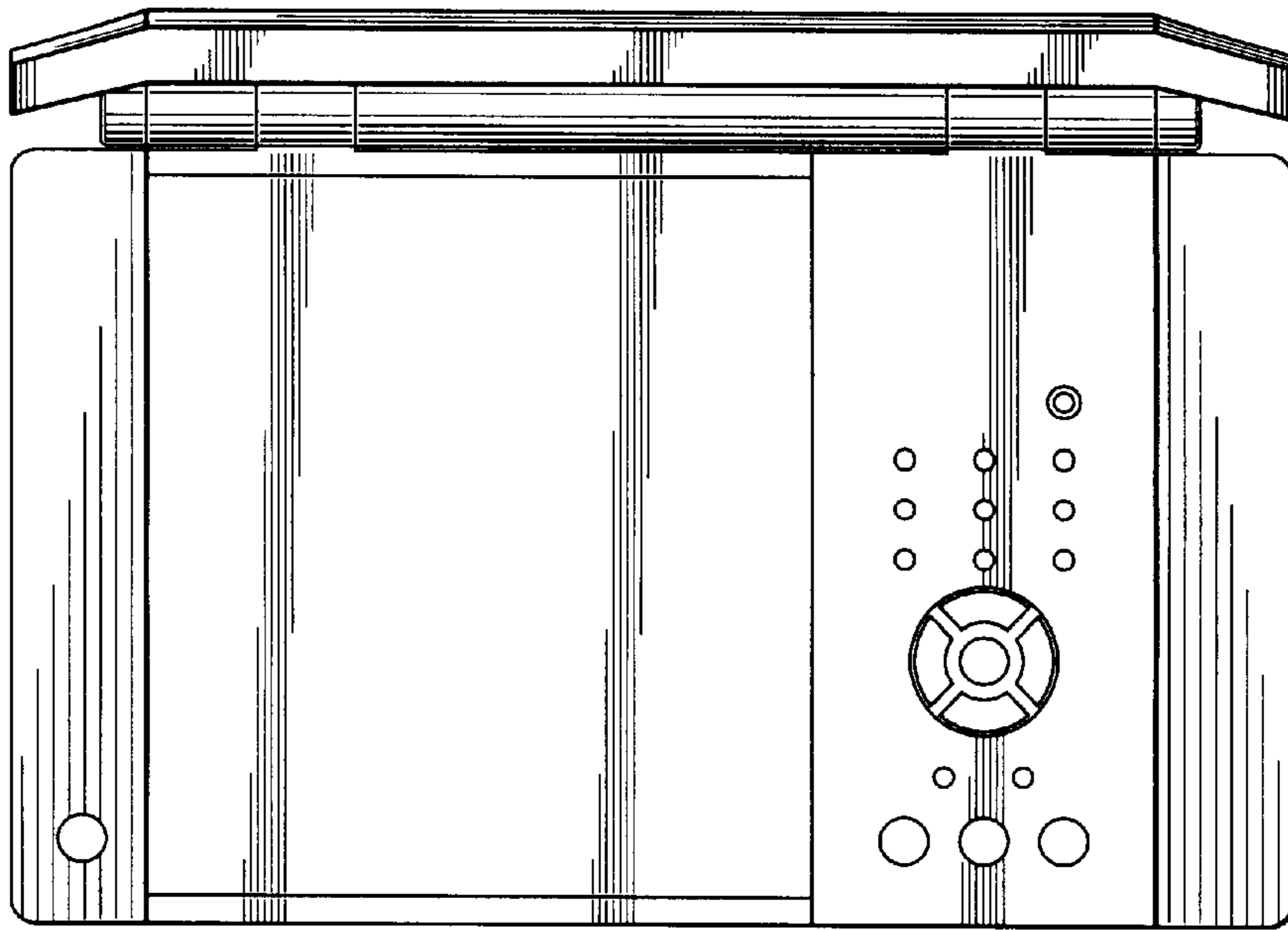


FIG. 7

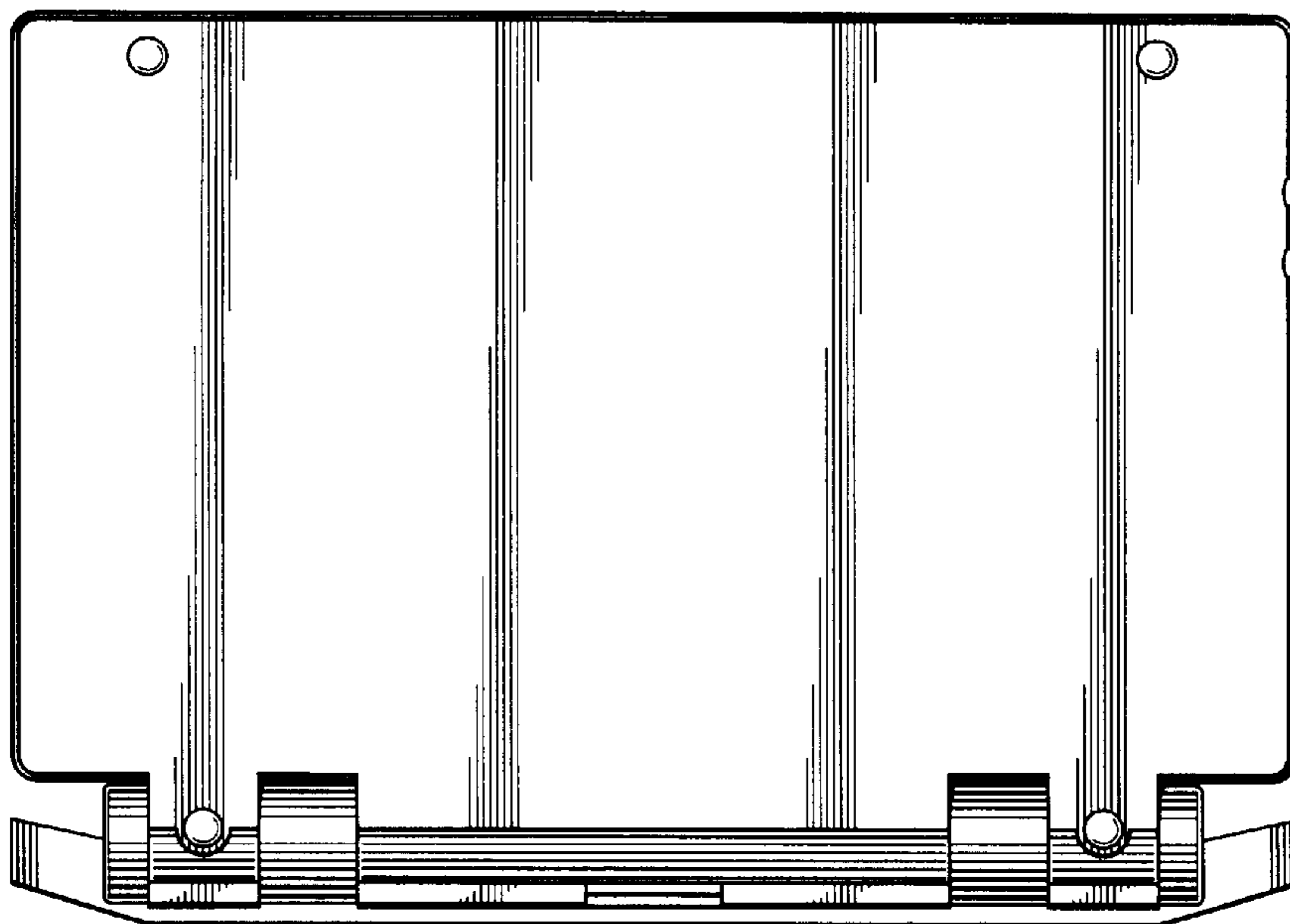


FIG. 8

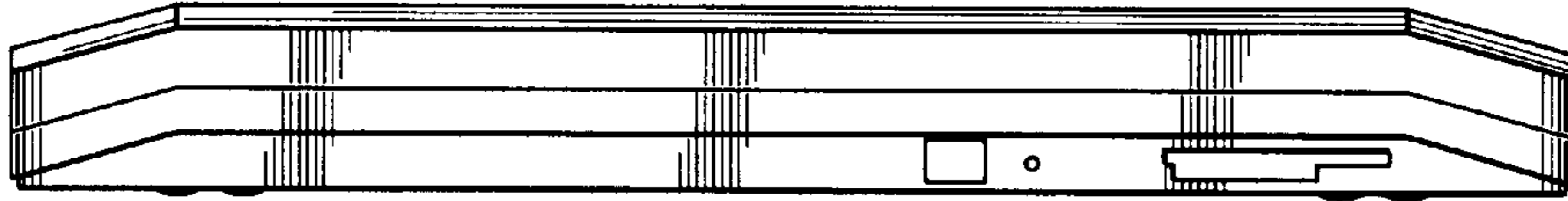


FIG. 9

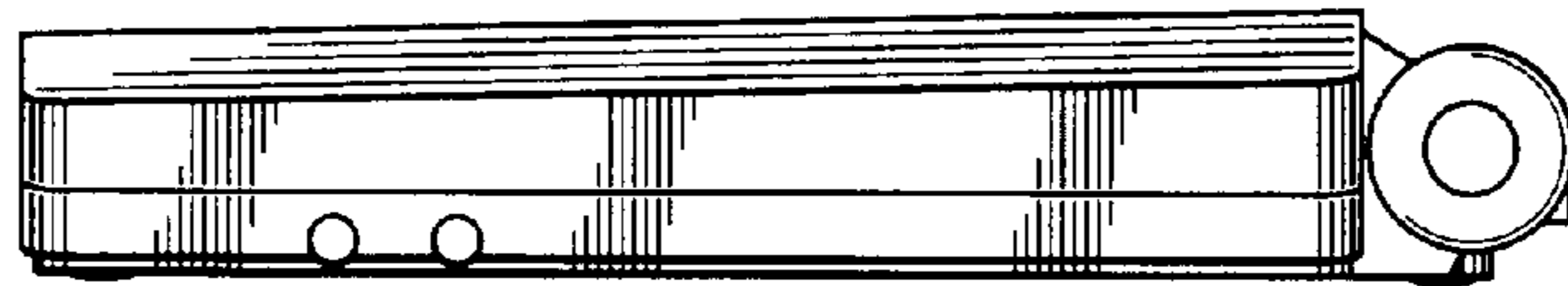


FIG. 10

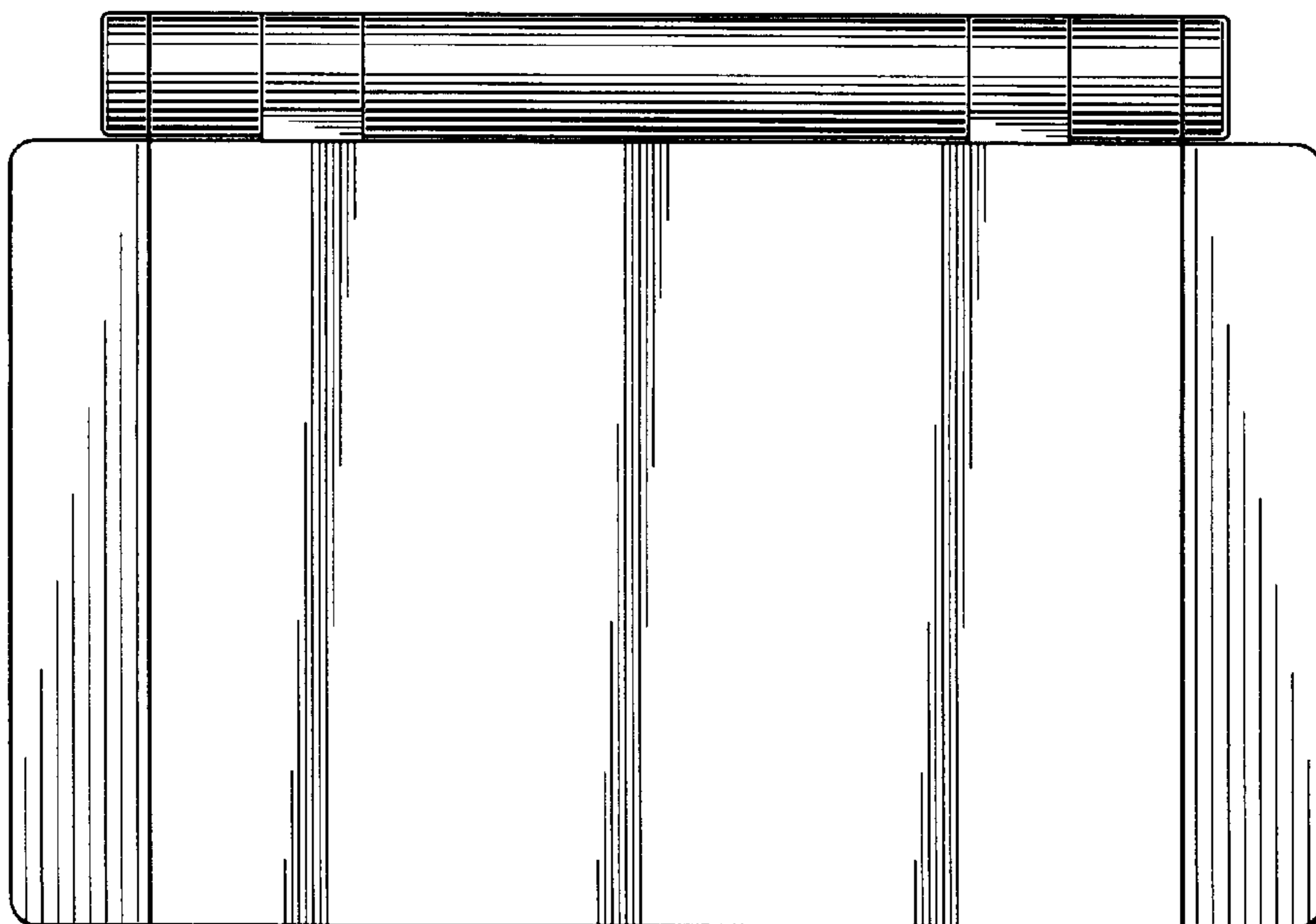


FIG. 11

