



US00D484469S

(12) **United States Design Patent**
Thibault

(10) **Patent No.:** **US D484,469 S**

(45) **Date of Patent:** **** Dec. 30, 2003**

(54) **SURFACE MOUNTED ELECTRICAL CABLE WAY**

6,513,289 B1 * 2/2003 Decore et al. 52/288.1

* cited by examiner

(75) Inventor: **Steve Thibault**, Burlington, CT (US)

Primary Examiner—Philip S. Hyder

Assistant Examiner—Selina Sikder

(73) Assignee: **The Wiremold Company**, West Hartford, CT (US)

(74) *Attorney, Agent, or Firm*—McCormick, Paulding & Huber LLP

(**) Term: **14 Years**

(57) **CLAIM**

(21) Appl. No.: **29/165,461**

The ornamental design for a surface mounted electrical cable way, as shown and described.

(22) Filed: **Aug. 9, 2002**

DESCRIPTION

(51) **LOC (7) Cl.** **13-03**

(52) **U.S. Cl.** **D13/184**

(58) **Field of Search** D13/155, 156;
D8/356; 138/108, 115, 156; 16/225, 268;
52/288.1; 174/5 R, 41, 48, 66, 68.3, 72 C,
95, 97, 136, 139; 439/216

FIG. 1 is a perspective view, showing my new design and illustrating the cable way of the present invention as it would appear mounted to a wall surface, the phantom line portions forming no part of the design;

FIG. 2 is a rear quartering perspective view of the cable way illustrated in FIG. 1, the phantom line portions forming no part of the present invention;

FIG. 3 is a cross-sectional view of the cable way illustrated in FIGS. 1 and 2; and,

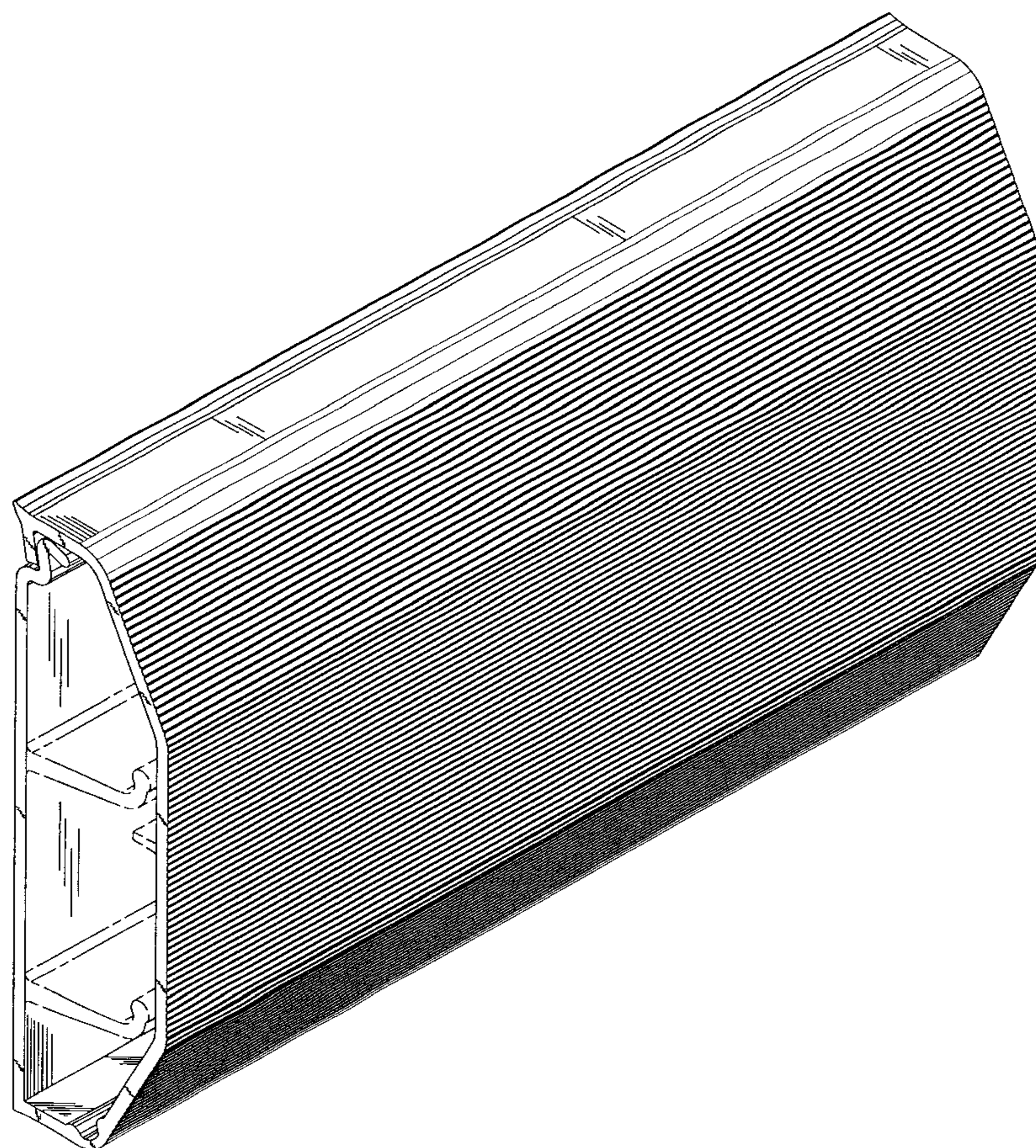
FIG. 4 is an exploded view taken generally in the area depicted at 4 in FIG. 3.

(56) **References Cited**

U.S. PATENT DOCUMENTS

3,786,171 A * 1/1974 Shira 174/48
5,235,136 A * 8/1993 Santucci et al. 174/68.3
D371,343 S * 7/1996 Loftus D13/155
6,323,421 B1 * 11/2001 Pawson et al. 174/48

1 Claim, 3 Drawing Sheets



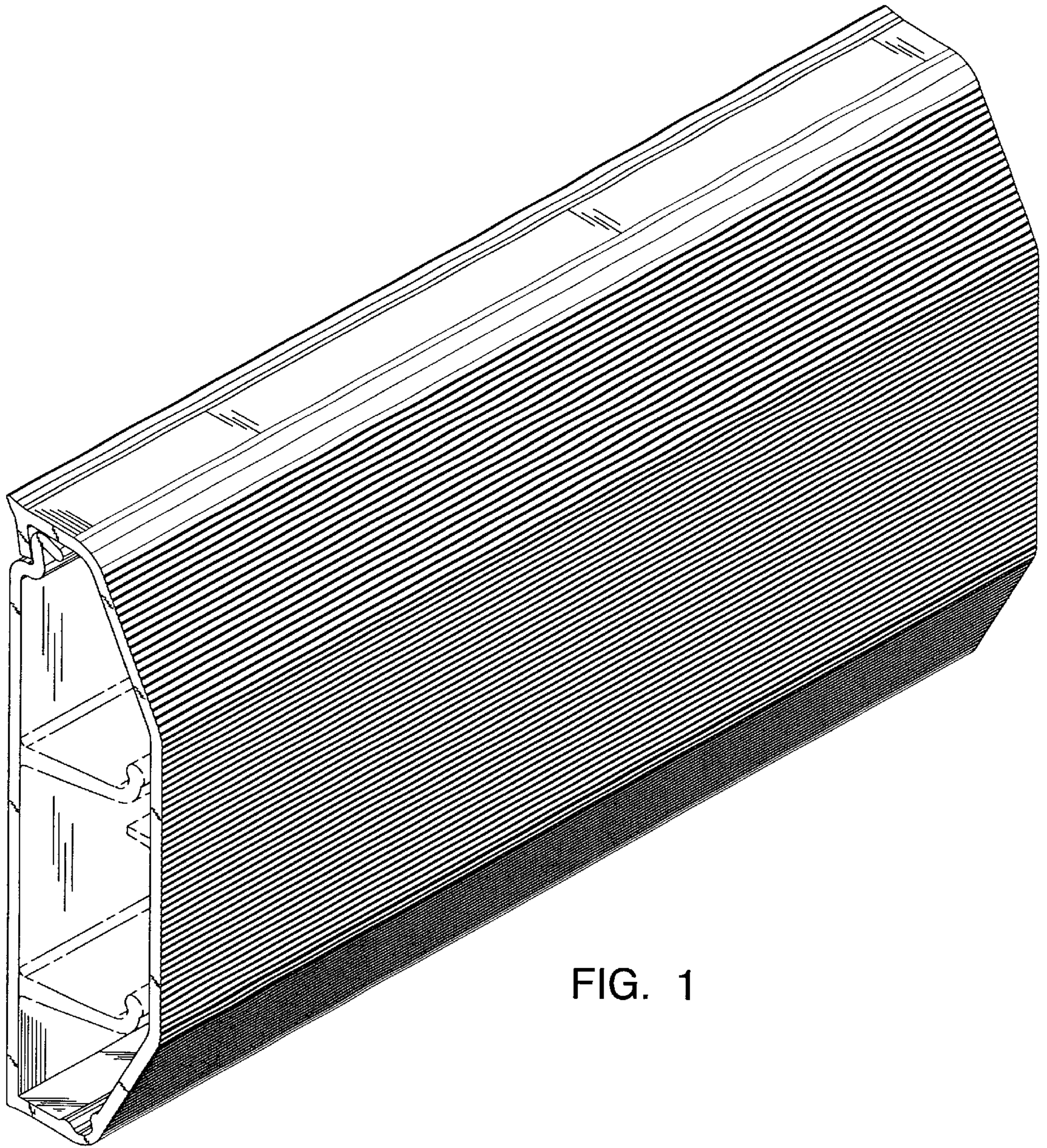


FIG. 1

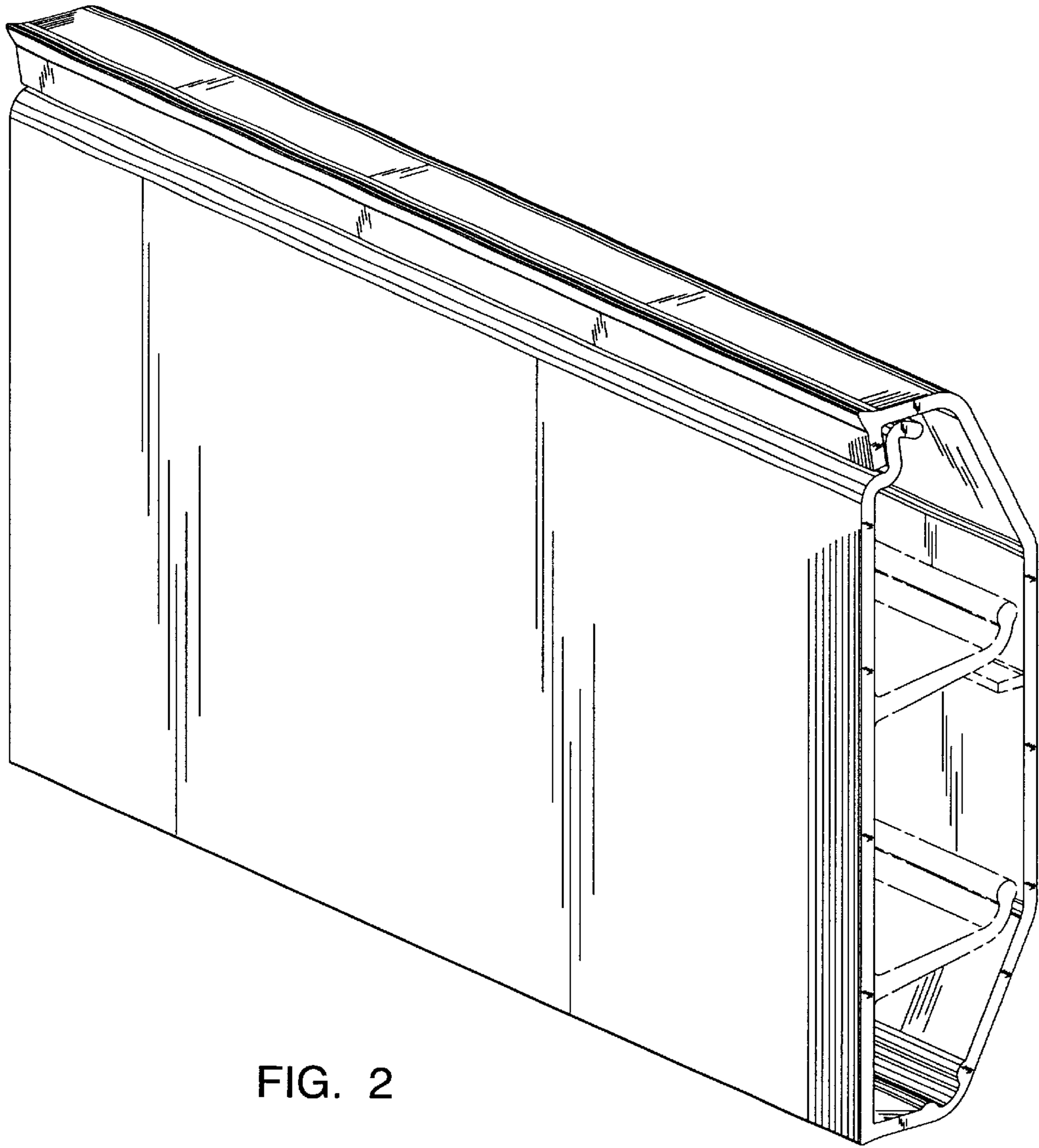


FIG. 2

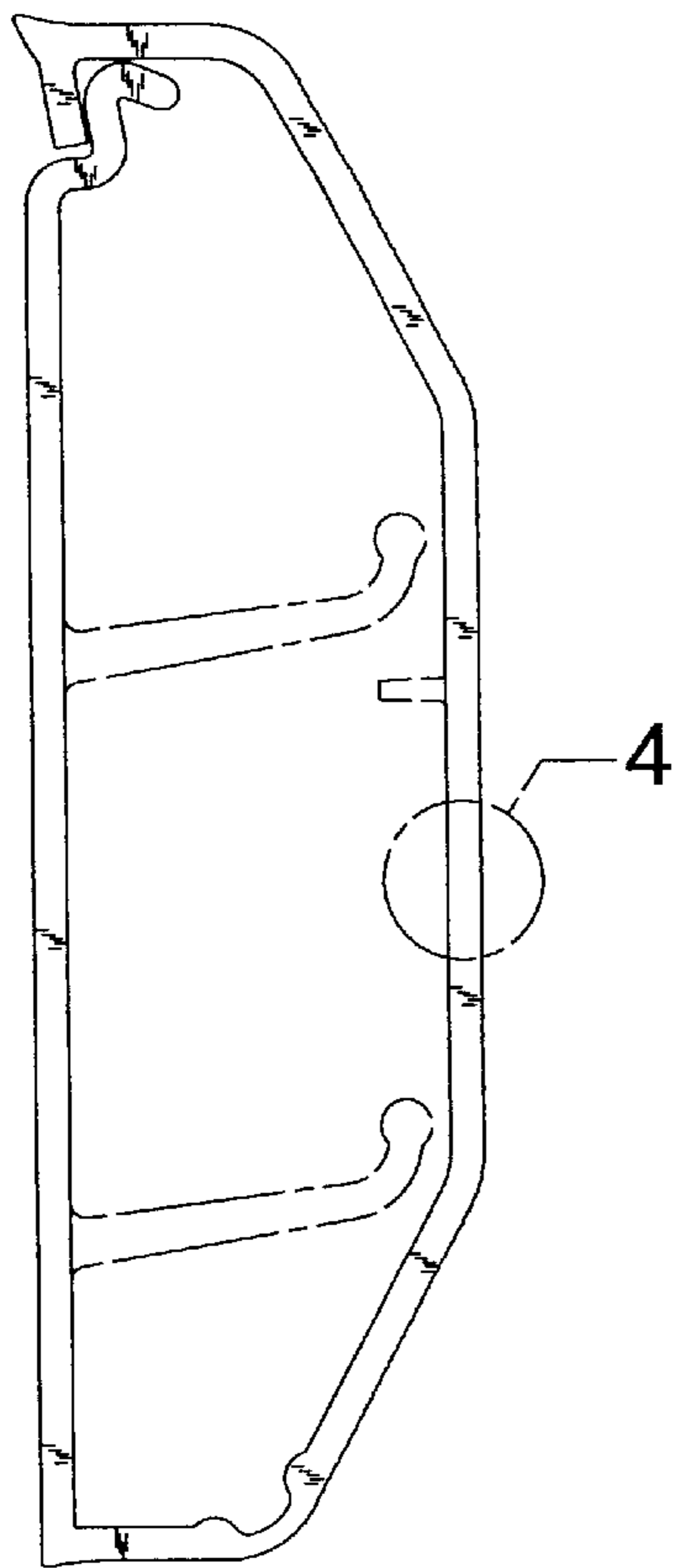


FIG. 3

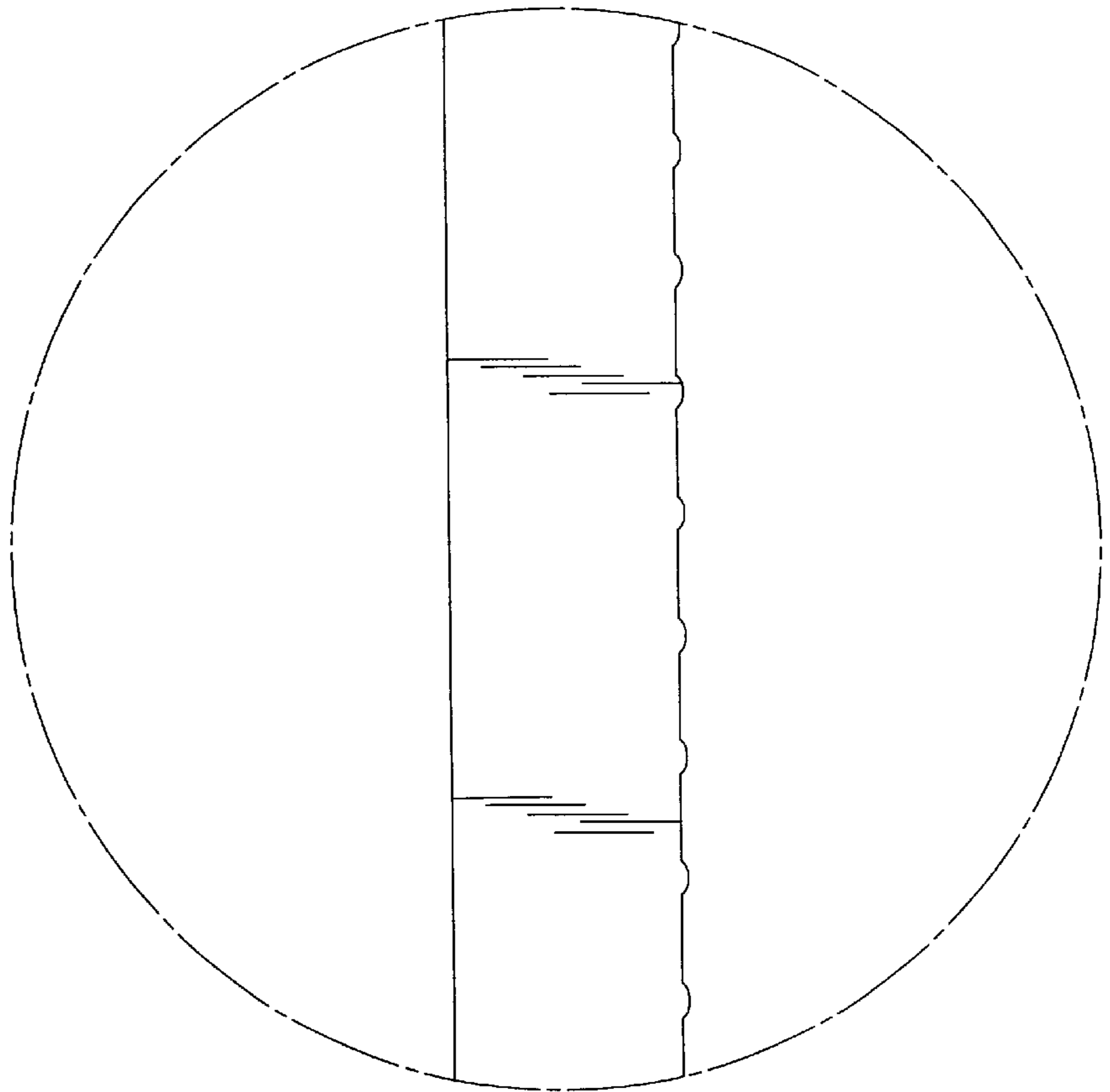


FIG. 4