



US00D484464S

(12) **United States Design Patent**
Kozu et al.

(10) **Patent No.:** **US D484,464 S**

(45) **Date of Patent:** **** Dec. 30, 2003**

(54) **FUSE**

FOREIGN PATENT DOCUMENTS

(75) Inventors: **Katsumi Kozu**, Hyogo (JP); **Takeshi Ishimaru**, Osaka (JP); **Masatoshi Izaki**, Miyazaki (JP); **Kenji Senda**, Fukui (JP)

GB	2205455	12/1988
JP	02-100221	4/1990
JP	04-73835	3/1992
JP	04-129123	4/1992
JP	D1039766	5/1999
JP	D1039766/1	5/1999
JP	D1039766/2	5/1999
JP	D1039766/3	5/1999
JP	D1041782	6/1999
JP	D1057596	1/2000
JP	D1058484	1/2000
JP	D1058485	1/2000
JP	D1058484/1	3/2000
JP	D1058484/2	3/2000
JP	D1058485/1	3/2000
JP	D1058485/2	3/2000
JP	D1097986	1/2001
JP	D1129089	12/2001
JP	D1129574	12/2001

(73) Assignee: **Matsushita Electric Industrial Co., Ltd.**, Osaka (JP)

(*) Notice: This patent is subject to a terminal disclaimer.

(**) Term: **14 Years**

(21) Appl. No.: **29/171,729**

(22) Filed: **Nov. 27, 2002**

(30) **Foreign Application Priority Data**

May 30, 2002 (JP) 2002-014497
May 30, 2002 (JP) 2002-014500

(51) **LOC (7) Cl.** **13-03**

(52) **U.S. Cl.** **D13/161**

(58) **Field of Search** D13/160, 161,
D13/178; 200/275; 307/10.1, 10.8; 337/186,
198, 227, 228, 231, 234, 241; 439/607,
621

(56) **References Cited**

U.S. PATENT DOCUMENTS

3,829,808	A	*	8/1974	Blewitt et al.	337/186
4,494,104	A		1/1985	Holmes	
5,097,247	A		3/1992	Doerrwachter	
D325,193	S	*	4/1992	Kudo	D13/161
5,426,411	A	*	6/1995	Pimpis et al.	337/186
5,905,426	A	*	5/1999	Douglass	337/229
5,939,969	A		8/1999	Doerrwachter et al.	
D419,532	S	*	1/2000	Hibayashi	D13/161
6,067,004	A	*	5/2000	Hibayashi et al.	337/227
6,248,965	B1	*	6/2001	Thomas	200/240
6,373,370	B1	*	4/2002	Darr et al.	337/243
6,373,371	B1		4/2002	Doerrwachter et al.	
6,448,882	B1	*	9/2002	Inaba et al.	337/227

* cited by examiner

Primary Examiner—Philip S. Hyder

Assistant Examiner—Selina Sikder

(74) *Attorney, Agent, or Firm*—Brinks Hofer Gilson & Lione

(57) **CLAIM**

The ornamental design for a fuse, as shown and described.

DESCRIPTION

FIG. 1 is a front perspective view of a fuse of the present invention in which the broken line portion of the fuse in this and the following figures is for illustrative purposes only and forms no part of the claimed design;

FIG. 2 is a top view thereof;

FIG. 3 is a side view thereof;

FIG. 4 is a bottom view thereof;

FIG. 5 is a second side view thereof;

FIG. 6 is a first end view thereof; and,

FIG. 7 is a second end view thereof.

1 Claim, 2 Drawing Sheets

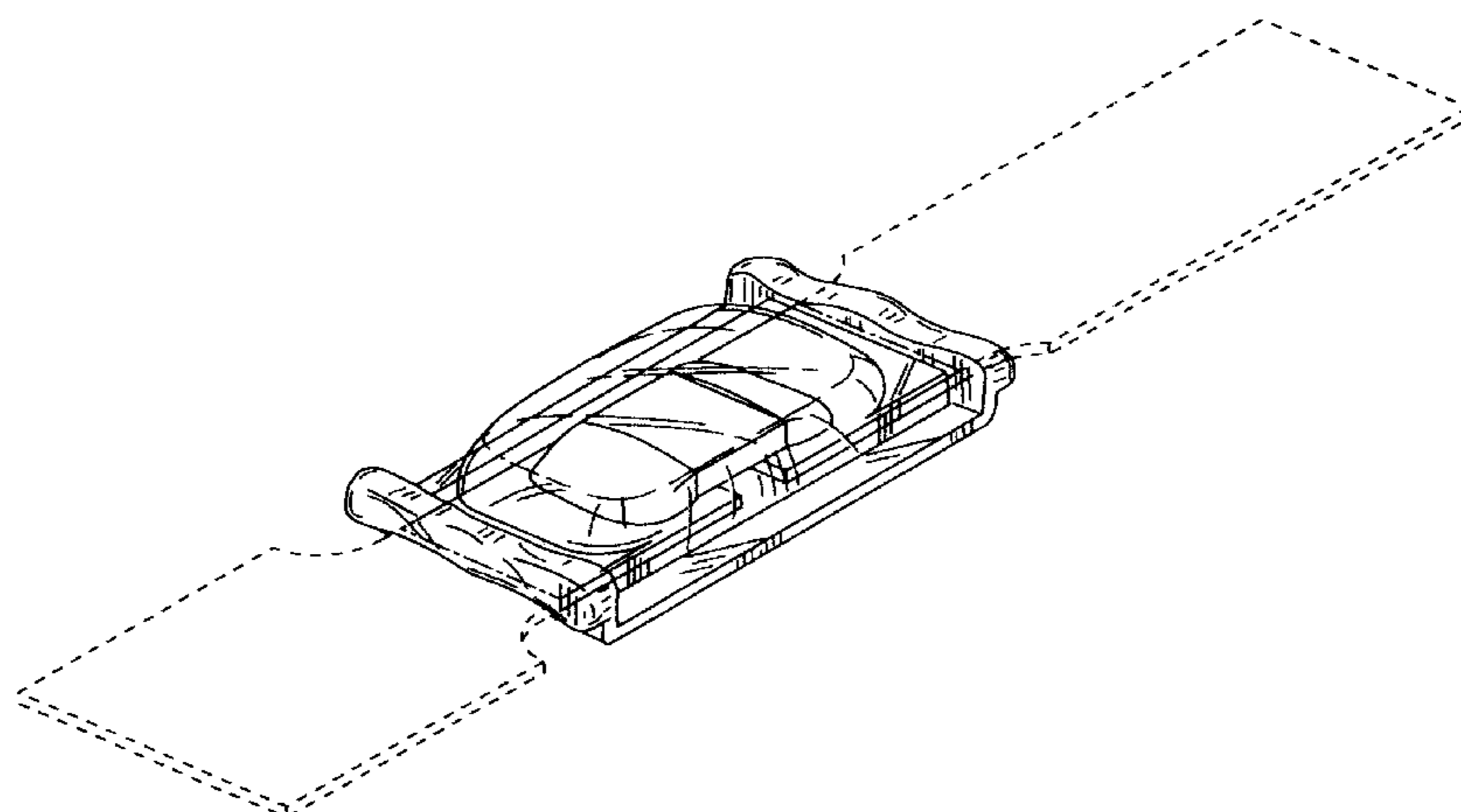


FIG 1

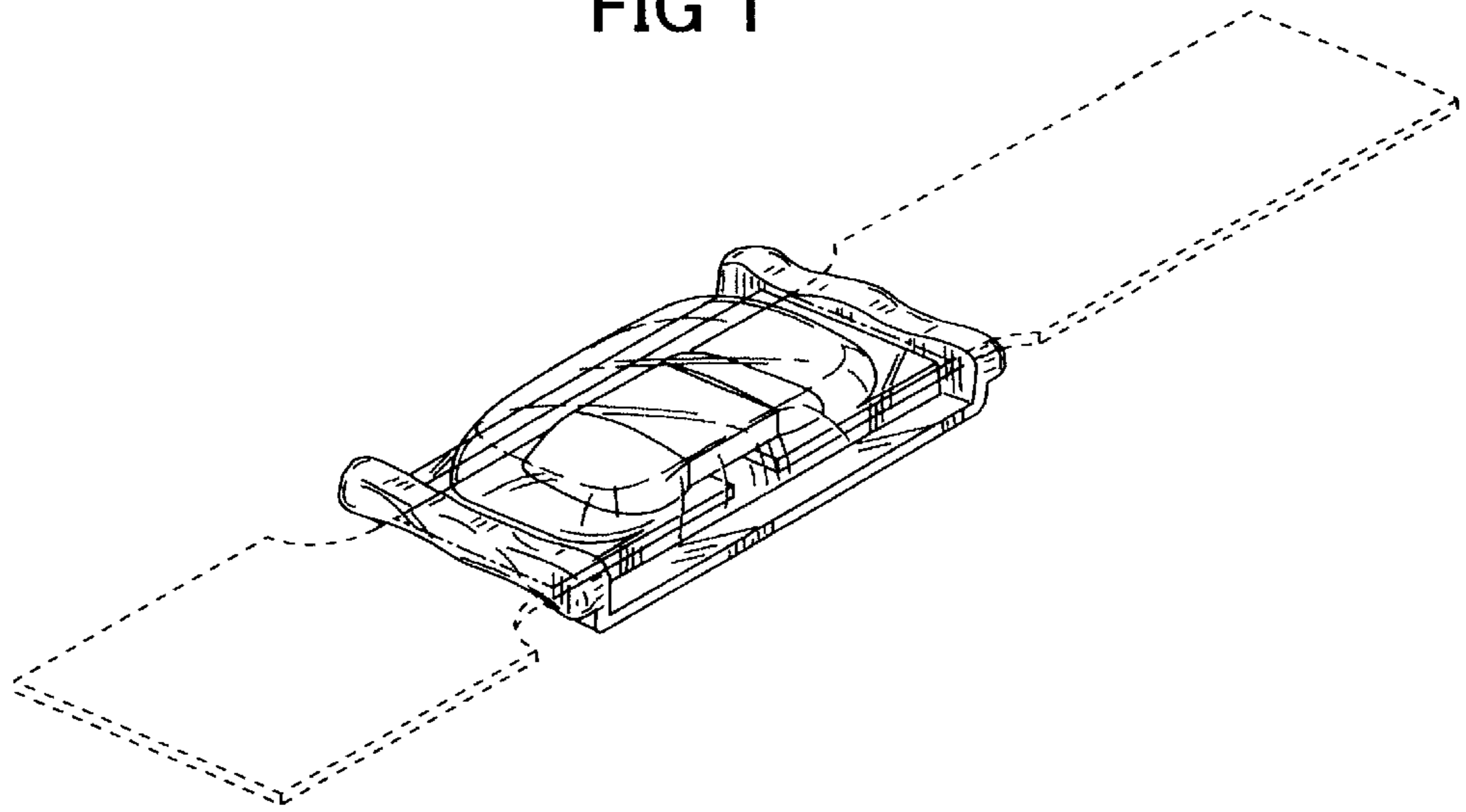


FIG 2

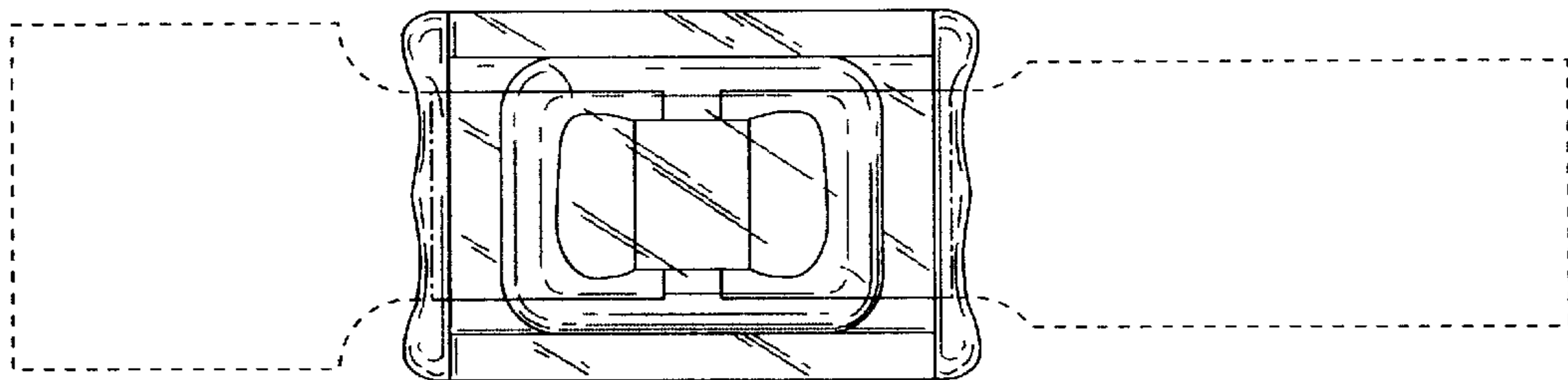


FIG 3

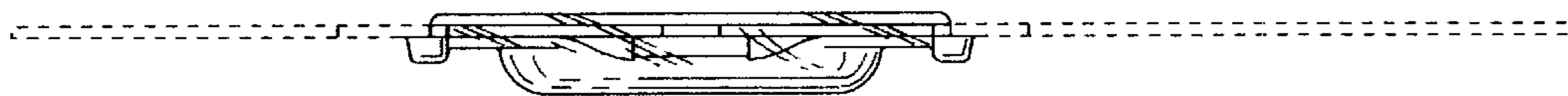


FIG 4

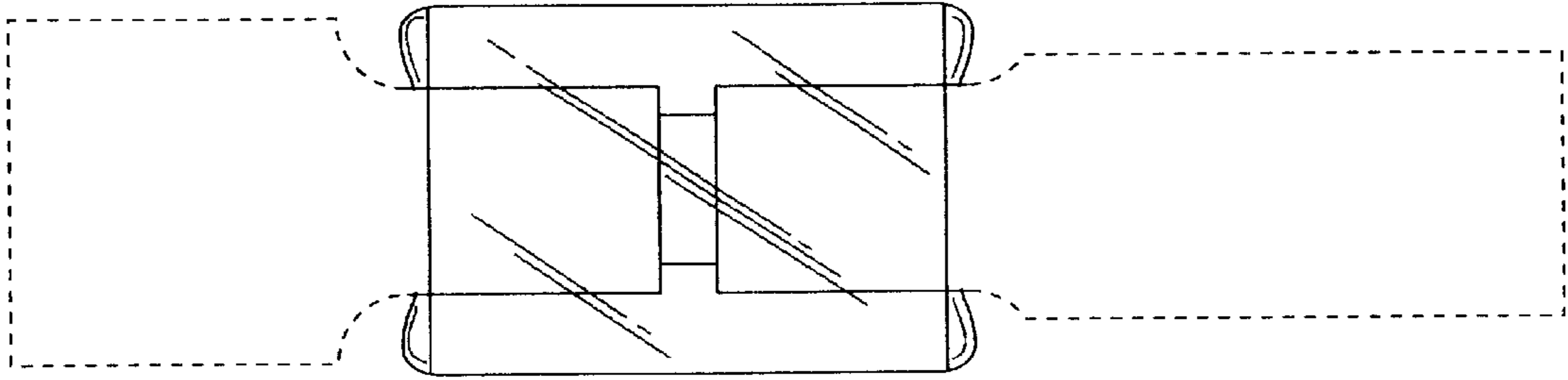


FIG 5

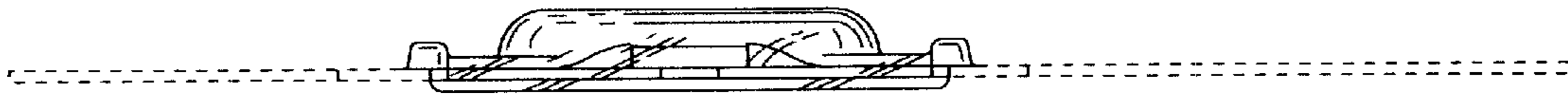


FIG 6



FIG 7

