



US00D484461S

(12) **United States Design Patent**  
**Piovesan**

(10) **Patent No.:** **US D484,461 S**

(45) **Date of Patent:** **\*\* Dec. 30, 2003**

(54) **ELECTRIC CONNECTOR FOR POWER AND CONTROL LINES, PARTICULARLY FOR COMMUTATORS/REGULATORS**

(75) Inventor: **Gianni Piovesan**, Cadoneghe (IT)

(73) Assignee: **Inarca S.p.A.**, Vigodarzere (IT)

(\*\*) Term: **14 Years**

(21) Appl. No.: **29/151,268**

(22) Filed: **Dec. 6, 2001**

(30) **Foreign Application Priority Data**

Jun. 12, 2001 (IT) ..... PD2001O0035

(51) **LOC (7) Cl.** ..... **13-03**

(52) **U.S. Cl.** ..... **D13/146**

(58) **Field of Search** ..... D13/133, 146,  
D13/147; 439/592, 660, 678, 856

(56) **References Cited**

**U.S. PATENT DOCUMENTS**

D195,171 S \* 5/1963 Keller ..... D13/146  
3,701,082 A \* 10/1972 Baumanis ..... 439/678 X

D225,065 S \* 11/1972 Baumanis ..... D13/146  
4,655,521 A \* 4/1987 Thomas ..... 439/660 X  
D429,690 S \* 8/2000 Fristedt ..... D13/146  
6,280,253 B1 \* 8/2001 Kraus et al. .... 439/621  
D448,345 S \* 9/2001 Fristedt ..... D13/133  
6,422,890 B1 \* 7/2002 Marchini et al. .... 439/358  
D462,053 S \* 8/2002 Kuroda et al. .... D13/133

\* cited by examiner

*Primary Examiner*—Joel Sincavage

(74) *Attorney, Agent, or Firm*—Guido Modiano; Albert Josif; Daniel J. O’Byrne

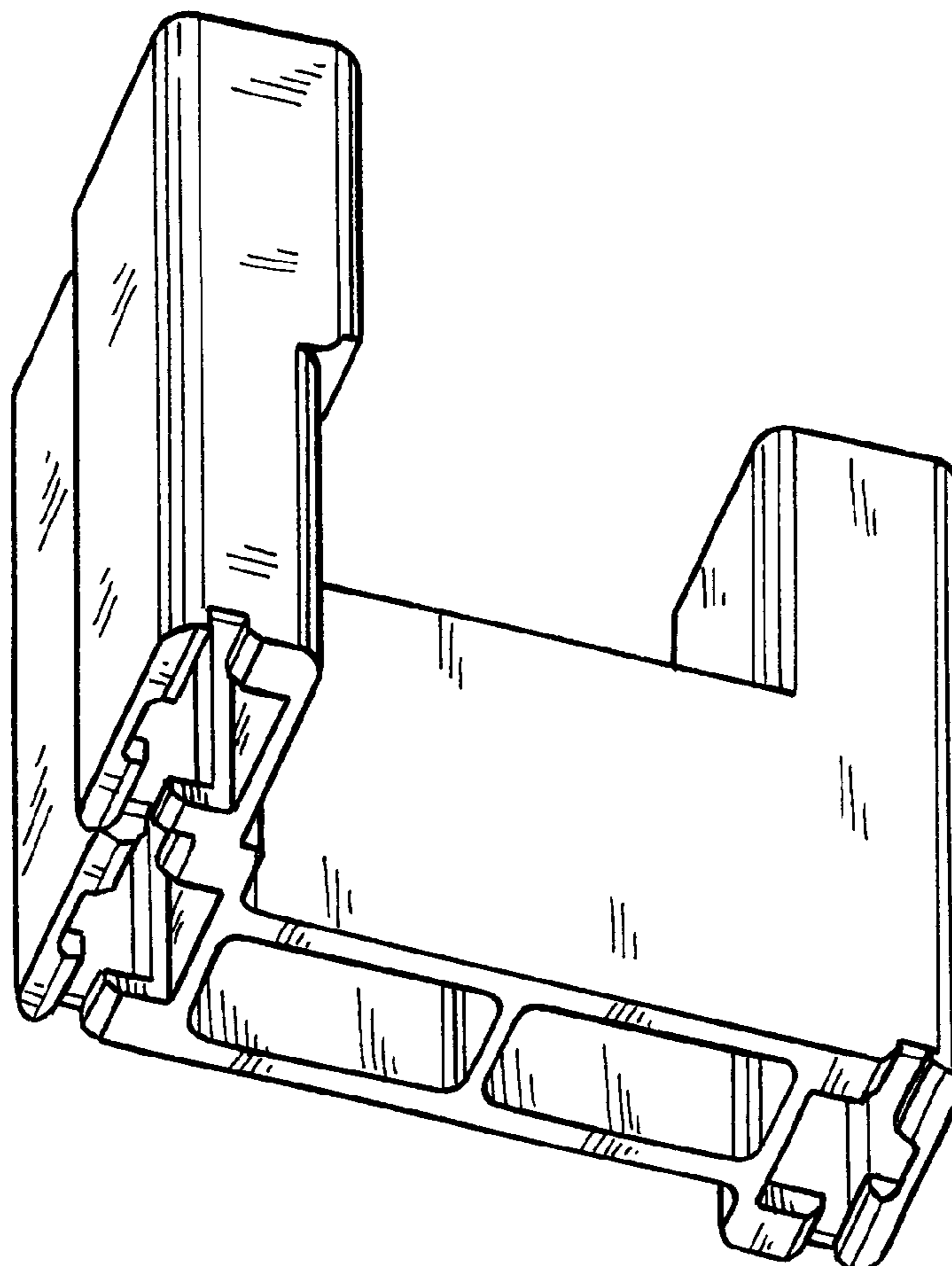
(57) **CLAIM**

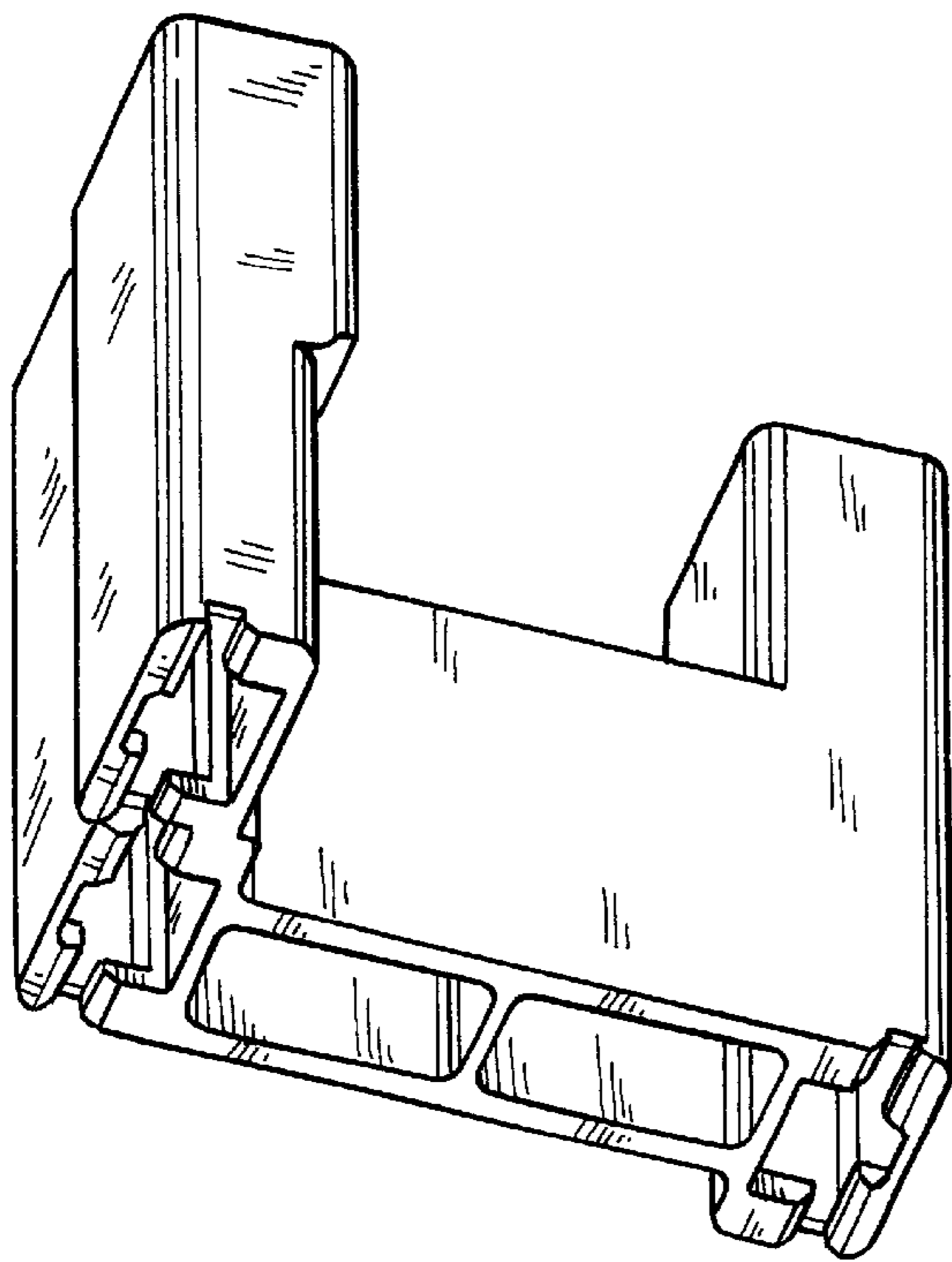
The ornamental design for the “electric connector for power and control lines, particularly for commutators/regulators”, as shown and described.

**DESCRIPTION**

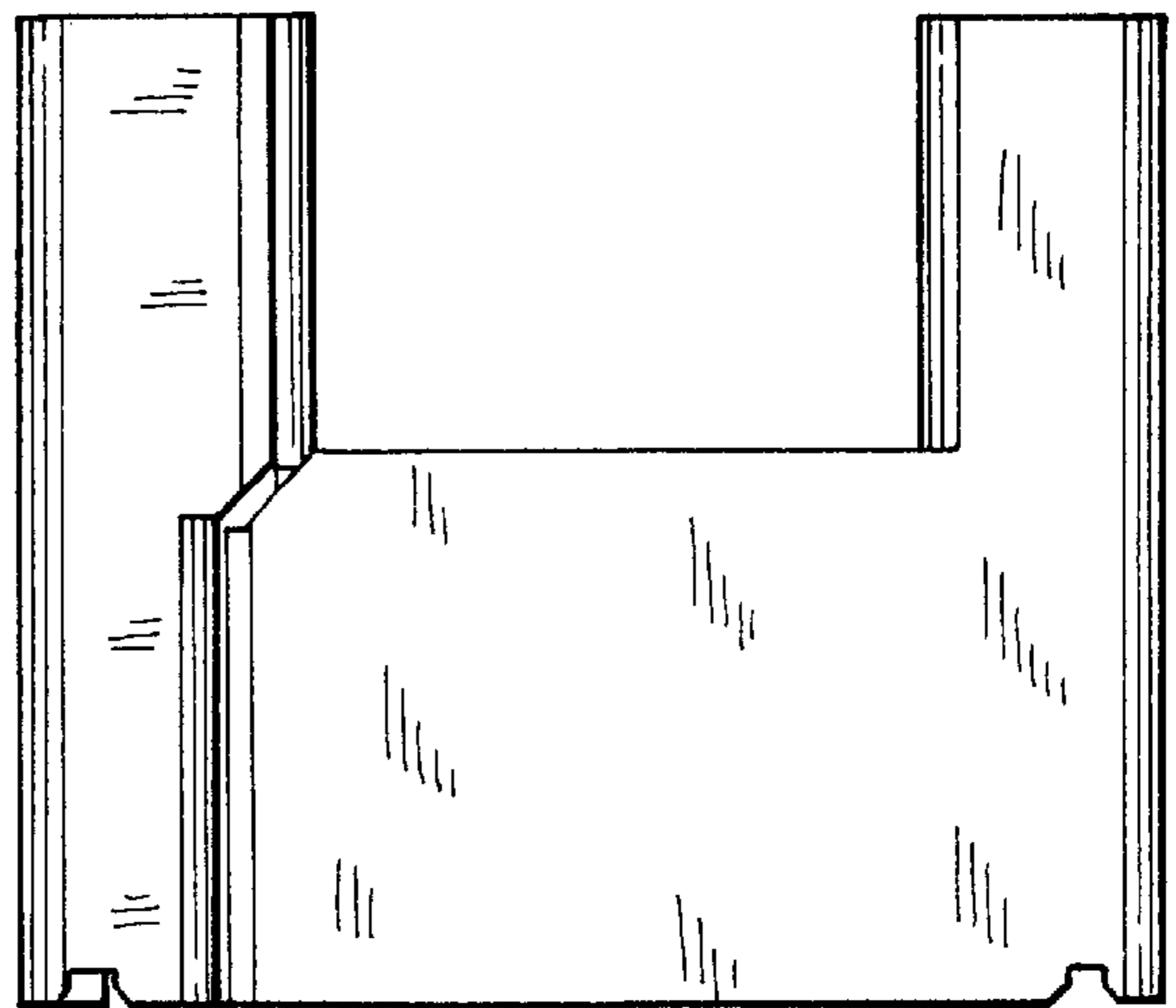
FIG. 1 is a front and lower left perspective view of an electric connector for power and control lines, particularly for commutators/regulators;  
FIG. 2 is a front elevational view thereof; and,  
FIG. 3 is a top plan view thereof.

**1 Claim, 1 Drawing Sheet**

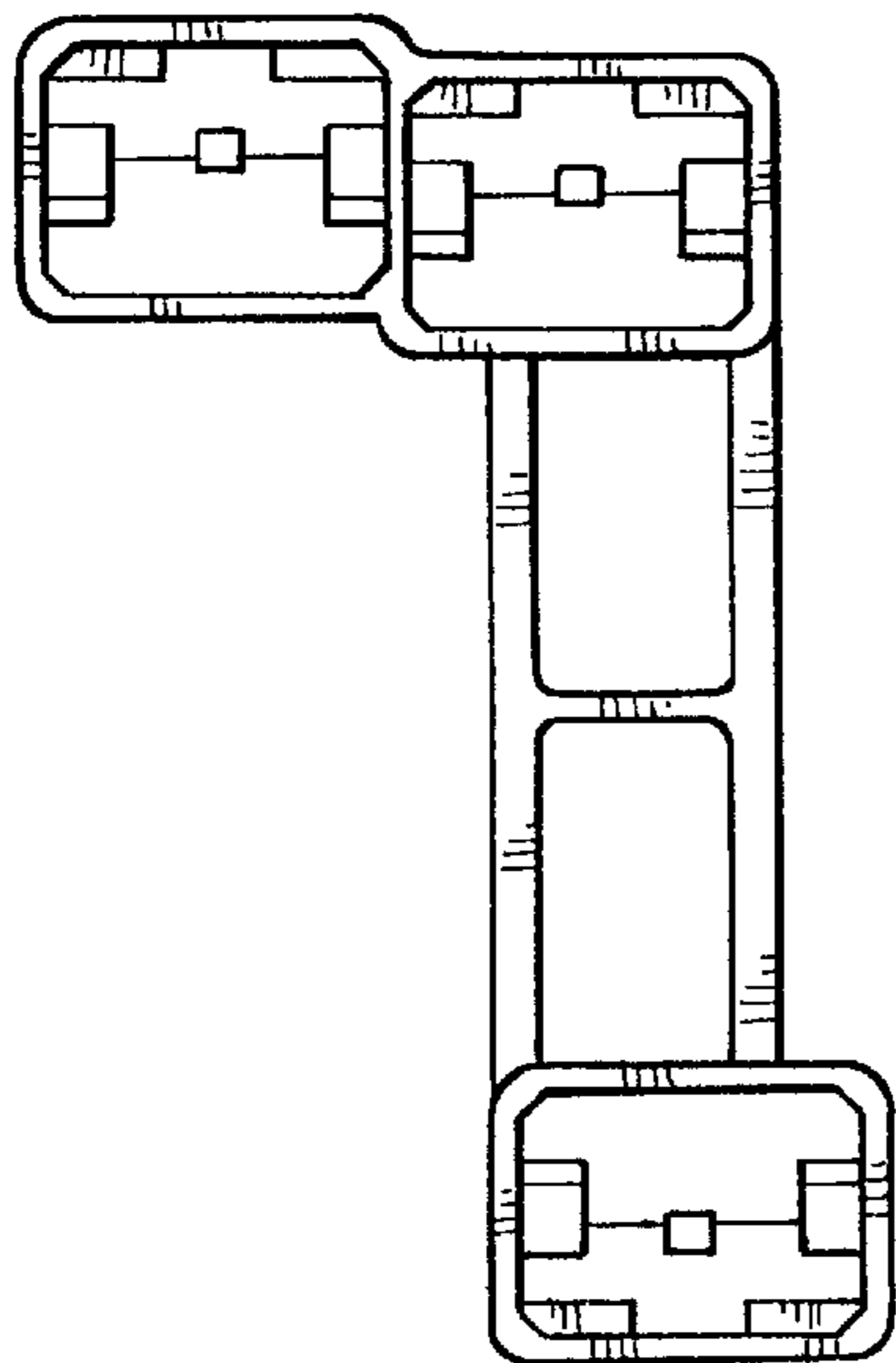




*FIG. 1*



*FIG. 2*



*FIG. 3*