



US00D48447S

(12) **United States Design Patent**
Warming

(10) **Patent No.:** **US D484,447 S**

(45) **Date of Patent:** **** Dec. 30, 2003**

(54) **FRONT FACE OF A VEHICLE WHEEL**

(75) Inventor: **Anders Warming**, Woodland Hills, CA
(US)

(73) Assignee: **Bayerische Motoren Werke**
Aktiengesellschaft, Munich (DE)

(**) Term: **14 Years**

(21) Appl. No.: **29/167,682**

(22) Filed: **Sep. 20, 2002**

(30) **Foreign Application Priority Data**

Mar. 22, 2002 (DE) 4 02 02 745

(51) **LOC (7) Cl.** **12-16**

(52) **U.S. Cl.** **D12/211**

(58) **Field of Search** D12/204-211;
301/37.101, 64.101, 65

(56) **References Cited**

U.S. PATENT DOCUMENTS

D405,749 S * 2/1999 Kulla D12/211
D413,853 S * 9/1999 Hale, Jr. D12/211

D417,427 S * 12/1999 Brown D12/211
D425,850 S * 5/2000 Chung D12/211
D428,380 S * 7/2000 Chinellato D12/211
D450,649 S * 11/2001 Penzes D12/211
D456,332 S * 4/2002 Vian D12/211
D457,118 S * 5/2002 Bhambra D12/211
D468,250 S * 1/2003 Donikoglu D12/209
D471,503 S * 3/2003 Baumgartner D12/211

* cited by examiner

Primary Examiner—Stacia Cadmus

(74) *Attorney, Agent, or Firm*—Crowell & Moring LLP

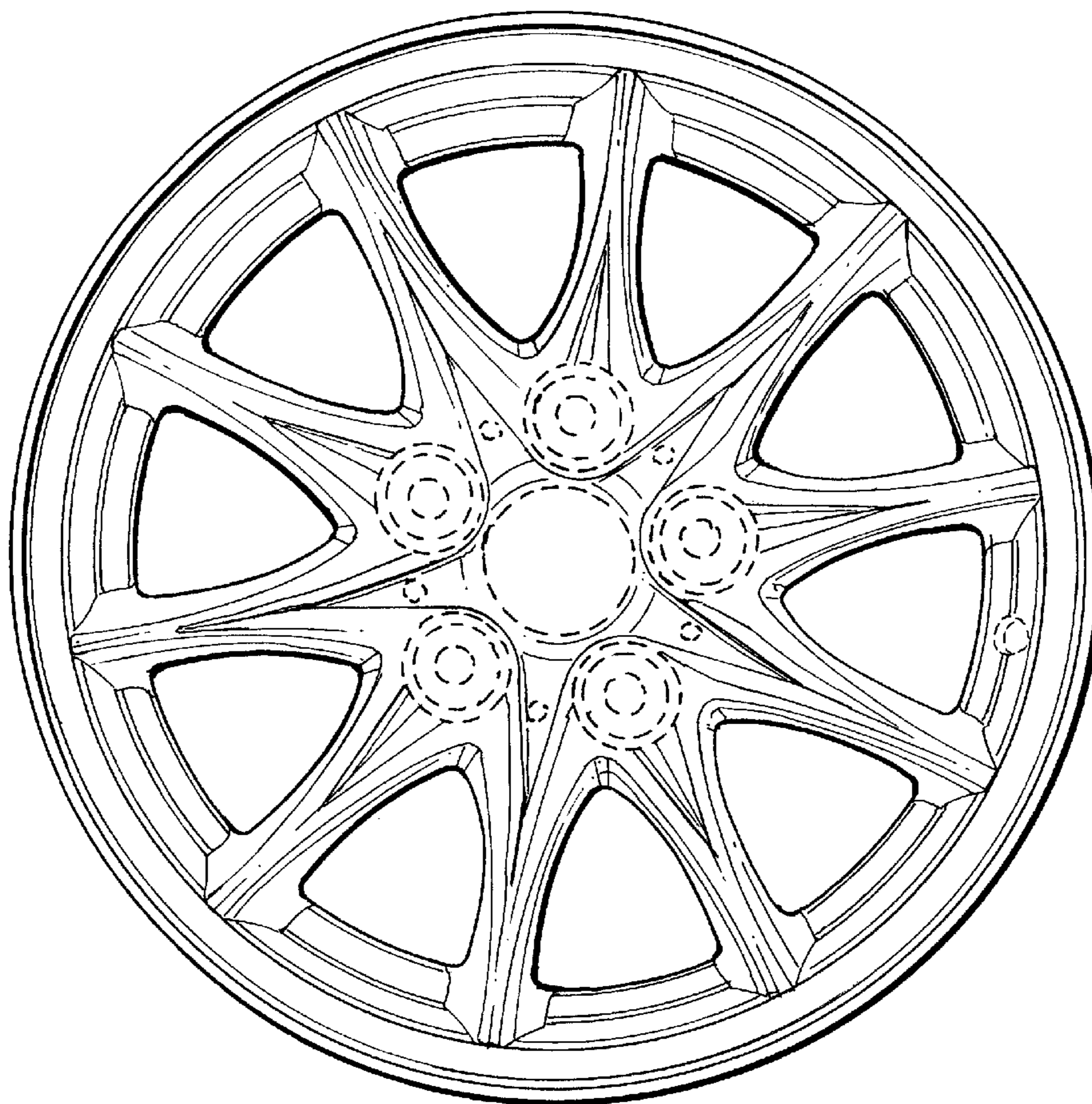
(57) **CLAIM**

The ornamental design for a front face of a vehicle wheel,
as shown and described.

DESCRIPTION

FIG. 1 is a front view of a front face of a vehicle wheel
according to my novel design; and,
FIG. 2 is a perspective view of the front face of a vehicle
wheel according to my novel design.
The dash lines included depict environment and are not part
of the claimed design.

1 Claim, 1 Drawing Sheet



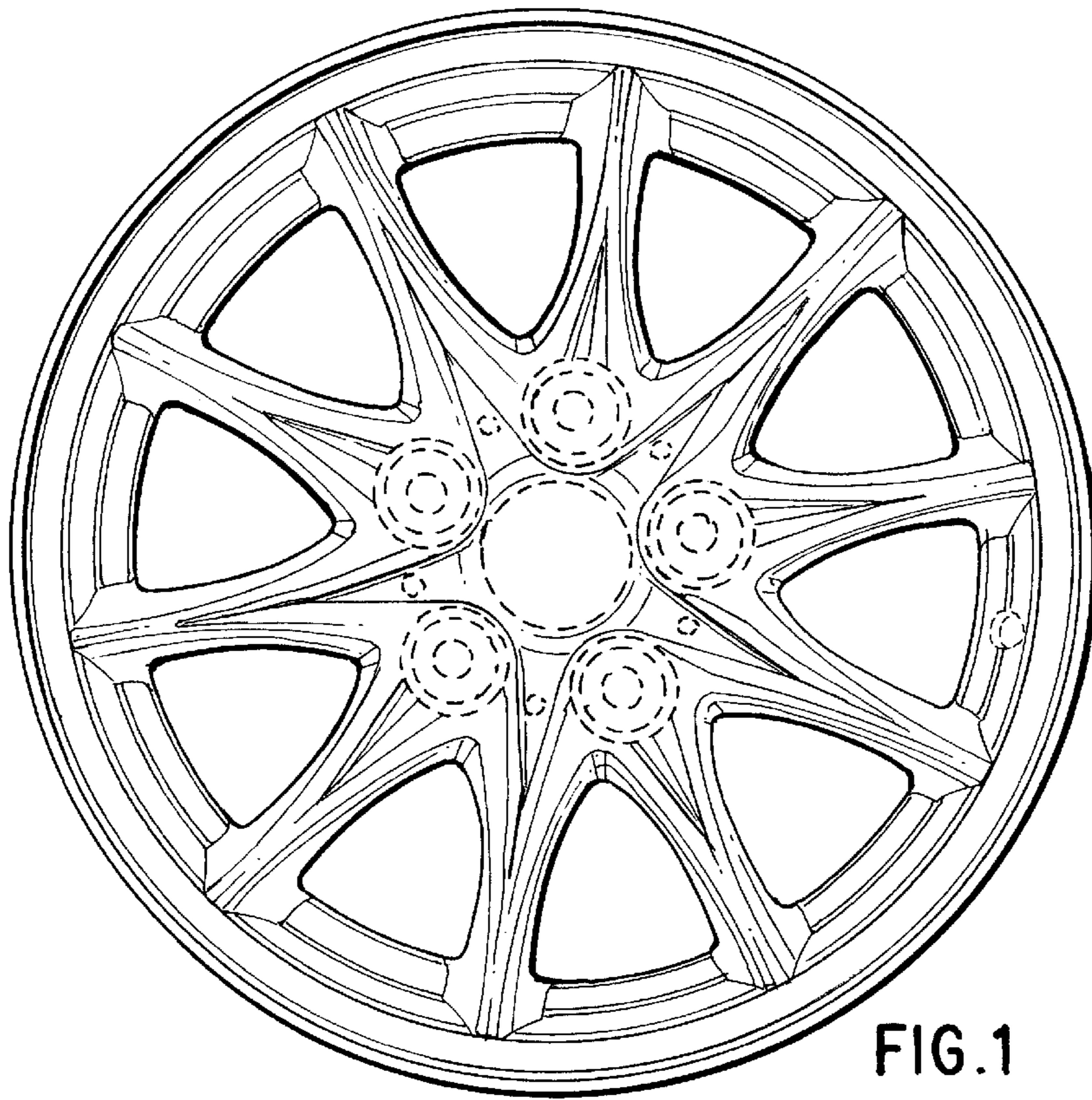


FIG. 1

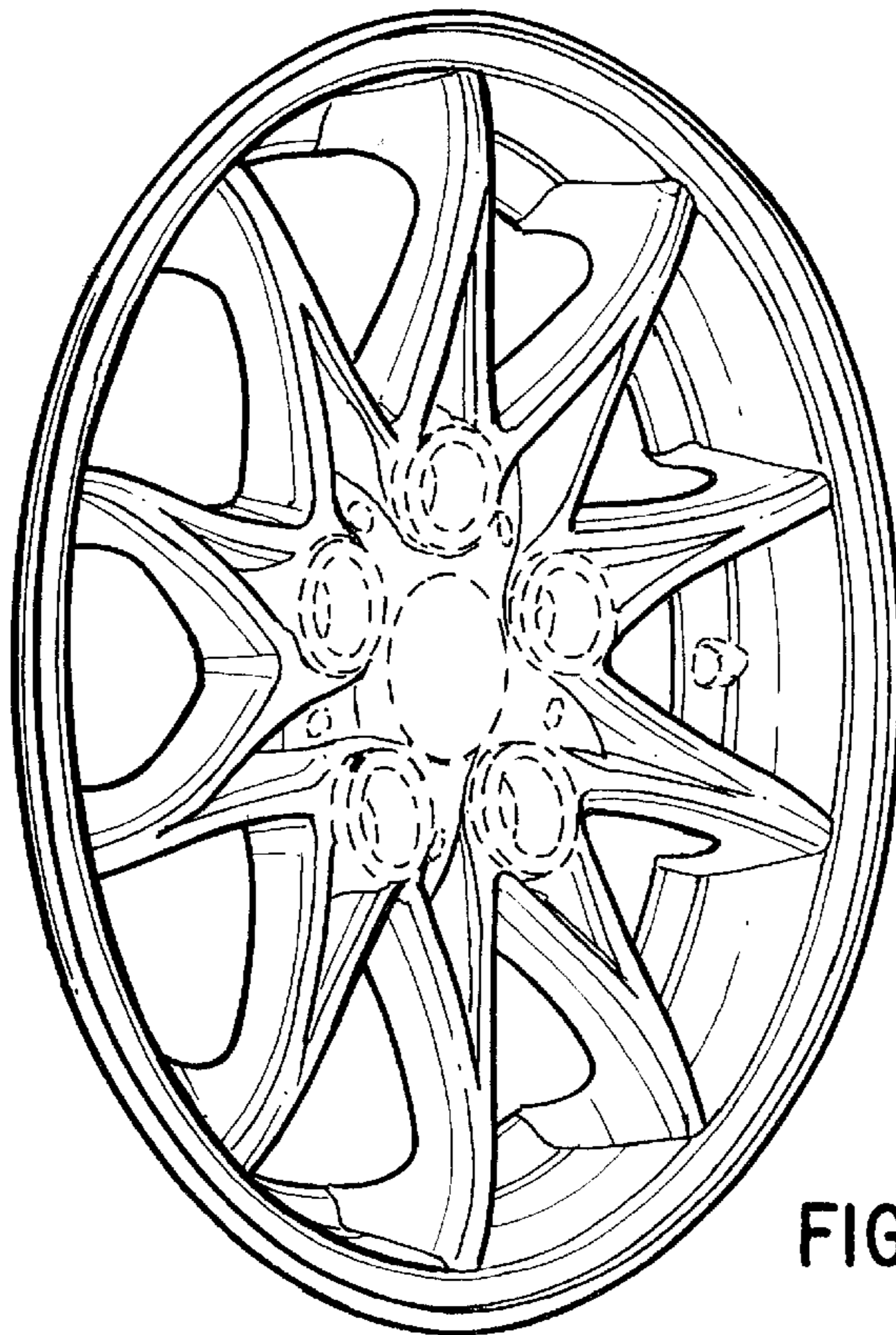


FIG. 2