



US00D484446S

(12) **United States Design Patent**
Pfeiffer et al.

(10) **Patent No.:** **US D484,446 S**

(45) **Date of Patent:** **** Dec. 30, 2003**

(54) **FRONT FACE OF A VEHICLE WHEEL**

(75) Inventors: **Peter Pfeiffer**, Boeblingen (DE); **Murat Guenak**, Ehningen (DE); **Hans-Dieter Futschik**, Gechingen (DE)

(73) Assignee: **DaimlerChrysler AG**, Stuttgart (DE)

(**) Term: **14 Years**

(21) Appl. No.: **29/155,726**

(22) Filed: **Feb. 19, 2002**

(30) **Foreign Application Priority Data**

Aug. 17, 2001 (DE) 4 01 07 253

(51) **LOC (7) Cl.** **12-16**

(52) **U.S. Cl.** **D12/211**

(58) **Field of Search** D12/204-211;
301/37.101, 64.101, 65

(56) **References Cited**

U.S. PATENT DOCUMENTS

- D337,563 S * 7/1993 Boselli D12/209
- D352,688 S * 11/1994 Boselli D12/211
- D388,047 S * 12/1997 Pfeiffer et al. D12/211
- D393,825 S * 4/1998 Fike D12/209
- D396,208 S * 7/1998 Baumgartner et al. D12/211

- D408,346 S * 4/1999 Goplen D12/211
- D409,968 S * 5/1999 Goplen D12/211
- D418,473 S * 1/2000 Chung D12/211
- D424,500 S * 5/2000 Johnson D12/209
- D450,030 S * 11/2001 Pfeiffer D12/211
- D454,825 S * 3/2002 Amatino D12/211
- D456,332 S * 4/2002 Vian D12/211
- D466,466 S * 12/2002 Laengerer D12/211
- D471,503 S * 3/2003 Baumgartner D12/211
- D471,852 S * 3/2003 Pfeiffer et al. D12/211

* cited by examiner

Primary Examiner—Stacia Cadmus

(74) *Attorney, Agent, or Firm*—Crowell & Moring LLP

(57) **CLAIM**

The ornamental design for a front face of a vehicle wheel, as shown and described.

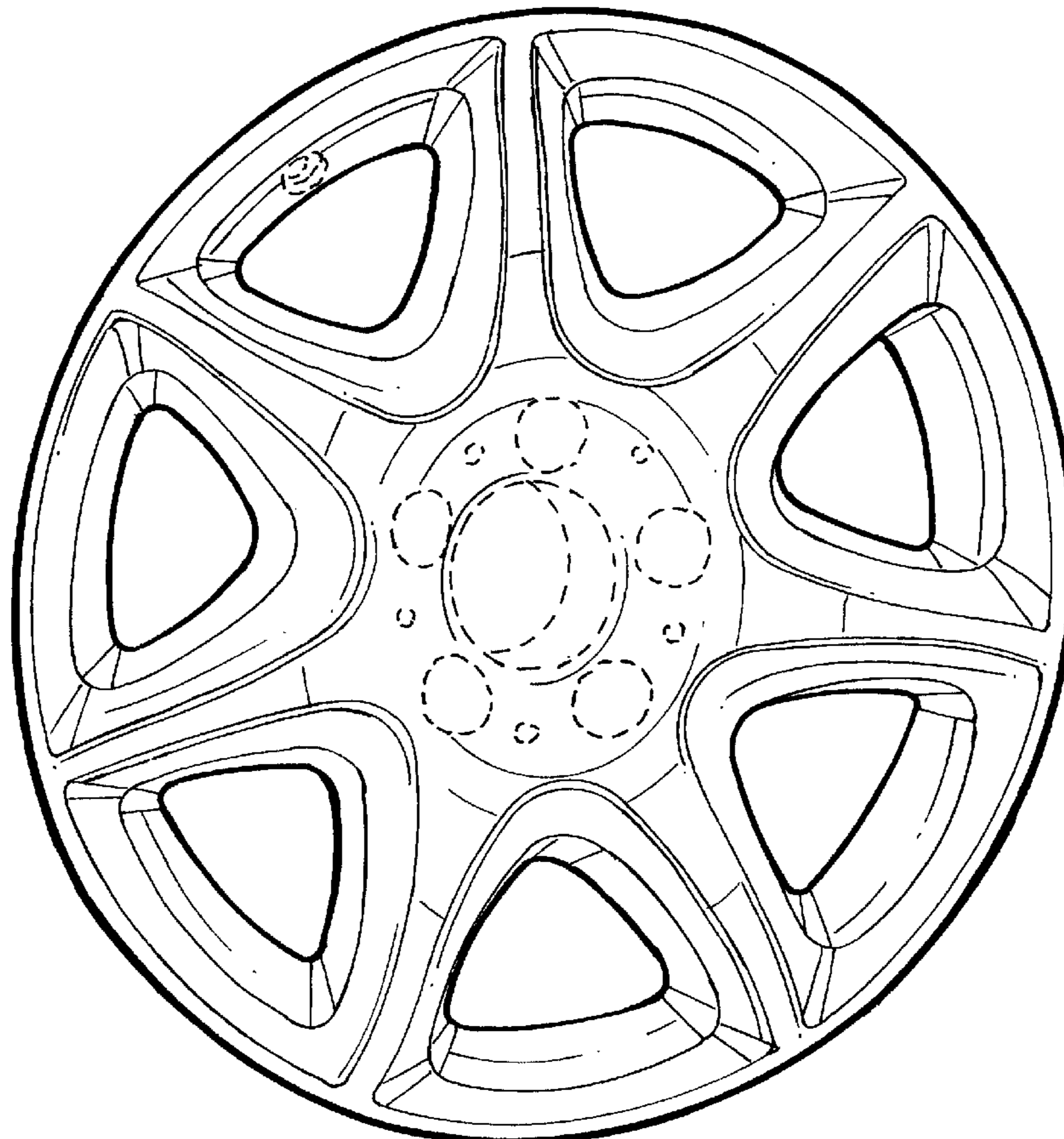
DESCRIPTION

FIG. 1 is a front view of a front face of a vehicle wheel according to our novel design; and,

FIG. 2 is a perspective view of the front face of a vehicle wheel according to our novel design.

The dash lines included depict environment and are not part of the claimed design.

1 Claim, 1 Drawing Sheet



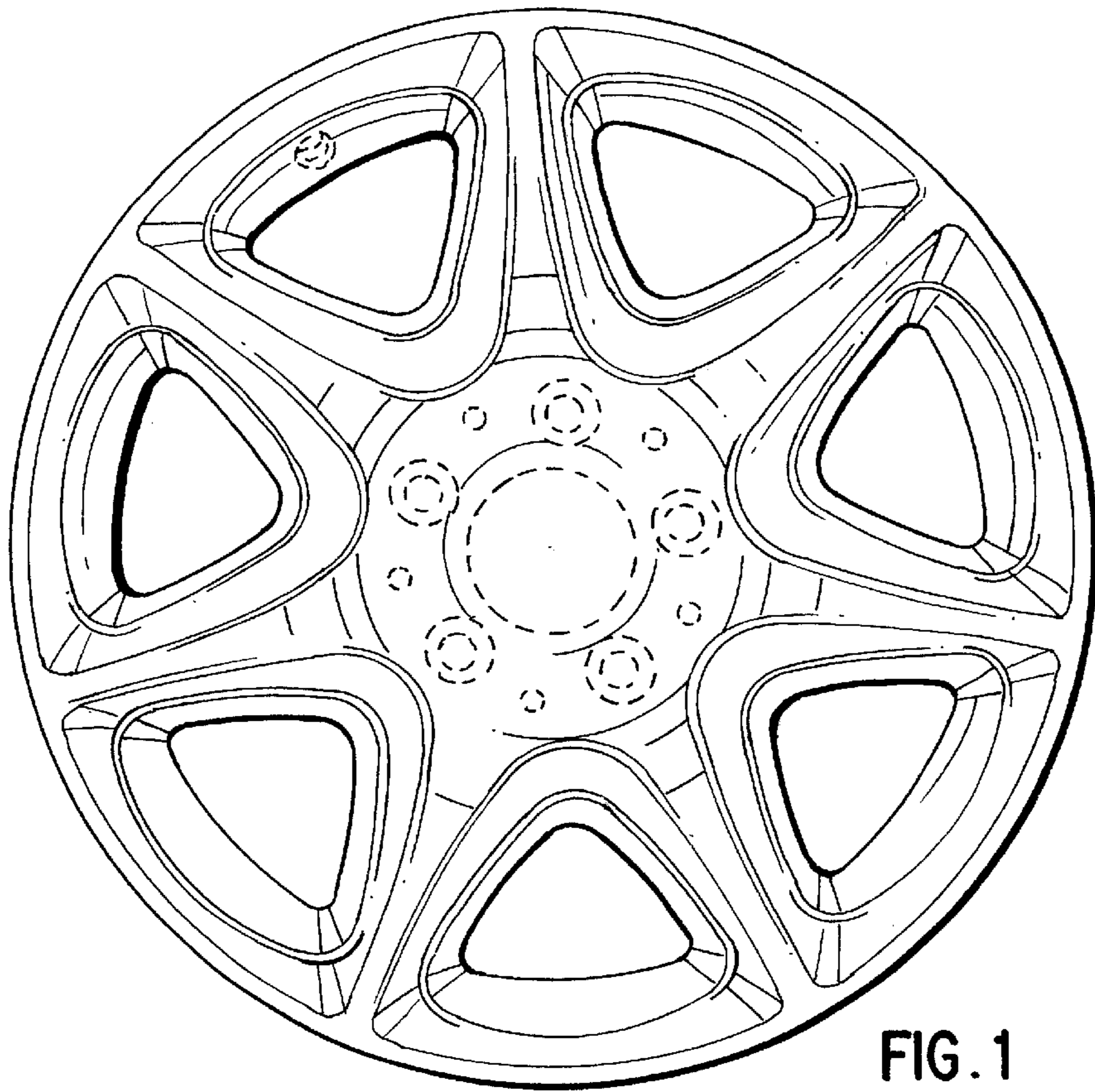


FIG. 1

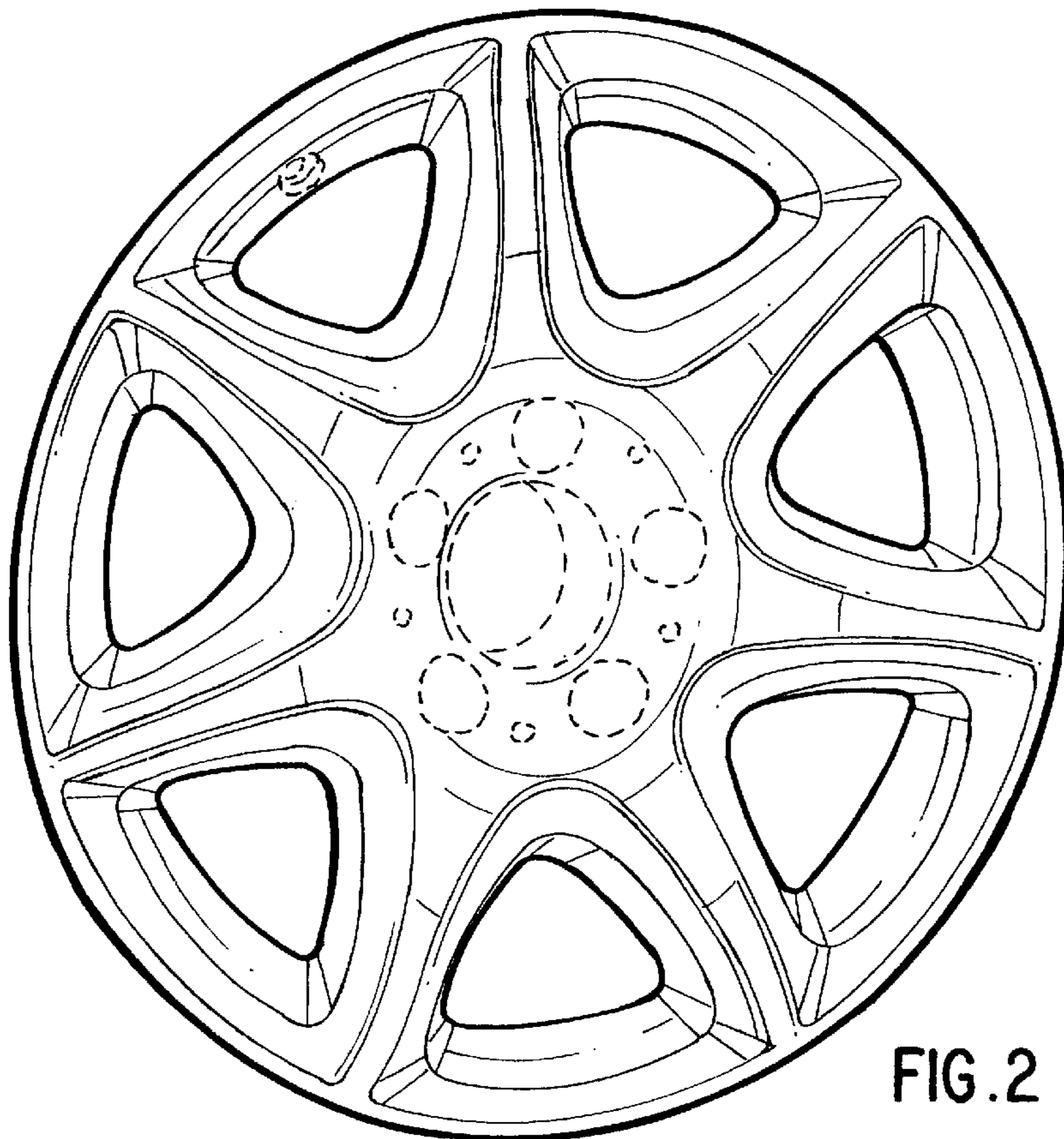


FIG. 2