



US00D484444S

(12) **United States Design Patent**
Hokao

(10) **Patent No.:** **US D484,444 S**

(45) **Date of Patent:** **** Dec. 30, 2003**

(54) **HOOD FOR AN AUTOMOBILE**

(75) Inventor: **Hirofumi Hokao**, Aichi-ken (JP)

(73) Assignee: **Toyota Jidosha Kabushiki Kaisha** (JP)

(**) Term: **14 Years**

(21) Appl. No.: **29/176,664**

(22) Filed: **Feb. 25, 2003**

(30) **Foreign Application Priority Data**

Nov. 29, 2002 (JP) 2002-033111

(51) **LOC (7) Cl.** **12-16**

(52) **U.S. Cl.** **D12/173**

(58) **Field of Search** D12/173, 90-92;
180/69.1, 69.2, 69.22, 69.25

(56) **References Cited**

U.S. PATENT DOCUMENTS

D374,202 S	*	10/1996	Nagashima	D12/173
D412,145 S	*	7/1999	Bangle	D12/173
D416,524 S	*	11/1999	Gabath	D12/173
D422,252 S	*	4/2000	Sacco et al.	D12/173
D460,725 S	*	7/2002	Newton	D12/173

OTHER PUBLICATIONS

2000 Toyota COROLLA; Brochure of COROLLA; Aug. 2000.

1999 Toyota FUNCARGO; Brochure of FUNCARGO; Aug. 1999.

* cited by examiner

Primary Examiner—Melody N. Brown

(74) *Attorney, Agent, or Firm*—SAIDMAN DesignLaw Group

(57) **CLAIM**

The ornamental design for a hood for an automobile, as shown and described.

DESCRIPTION

FIG. 1 is a perspective view of a hood for an automobile showing my new design;

FIG. 2 is a front view thereof;

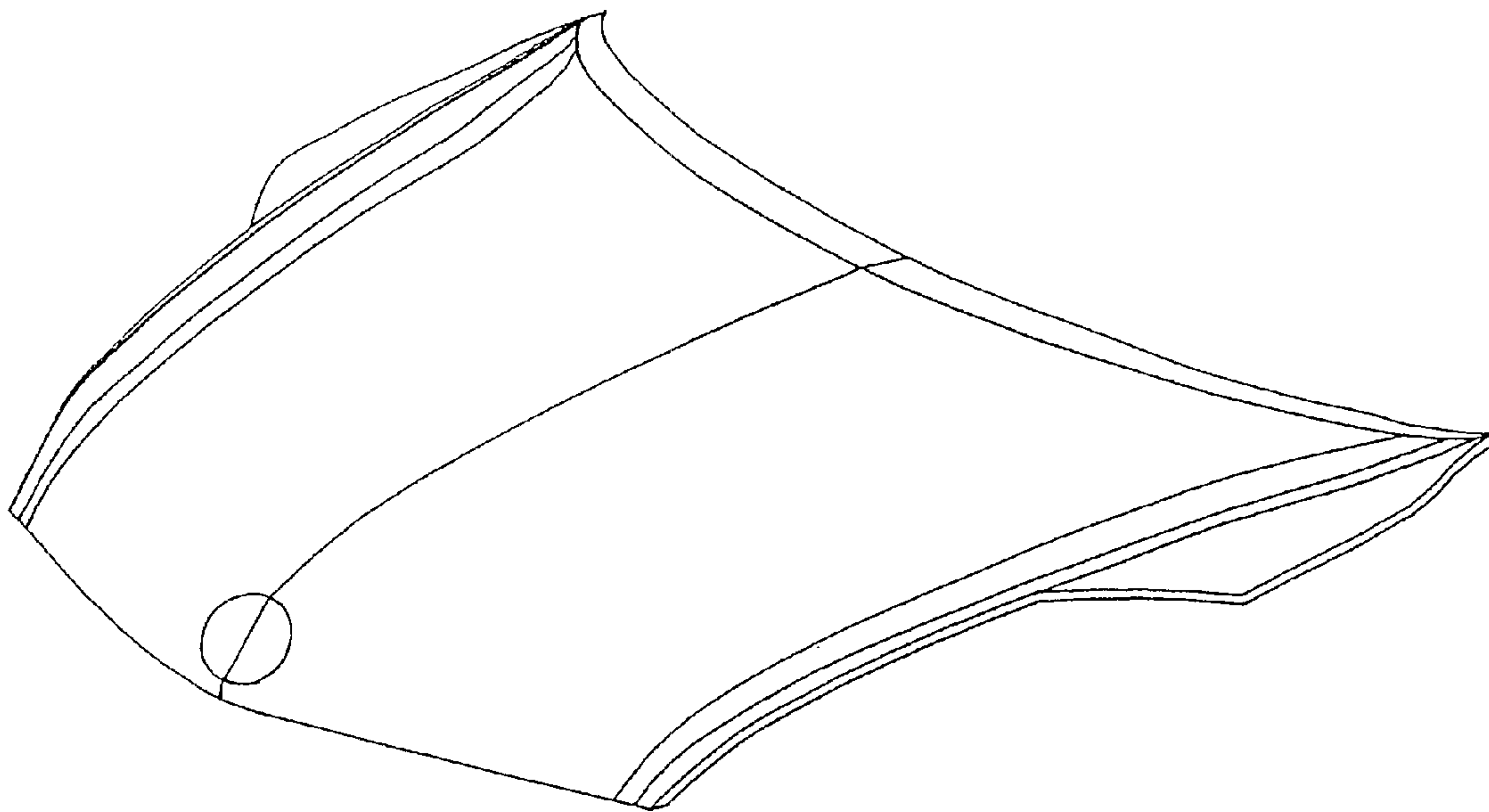
FIG. 3 is a rear view thereof;

FIG. 4 is a top view thereof;

FIG. 5 is a bottom view thereof; and,

FIG. 6 is a right side view thereof, the left side view being a mirror image.

1 Claim, 4 Drawing Sheets



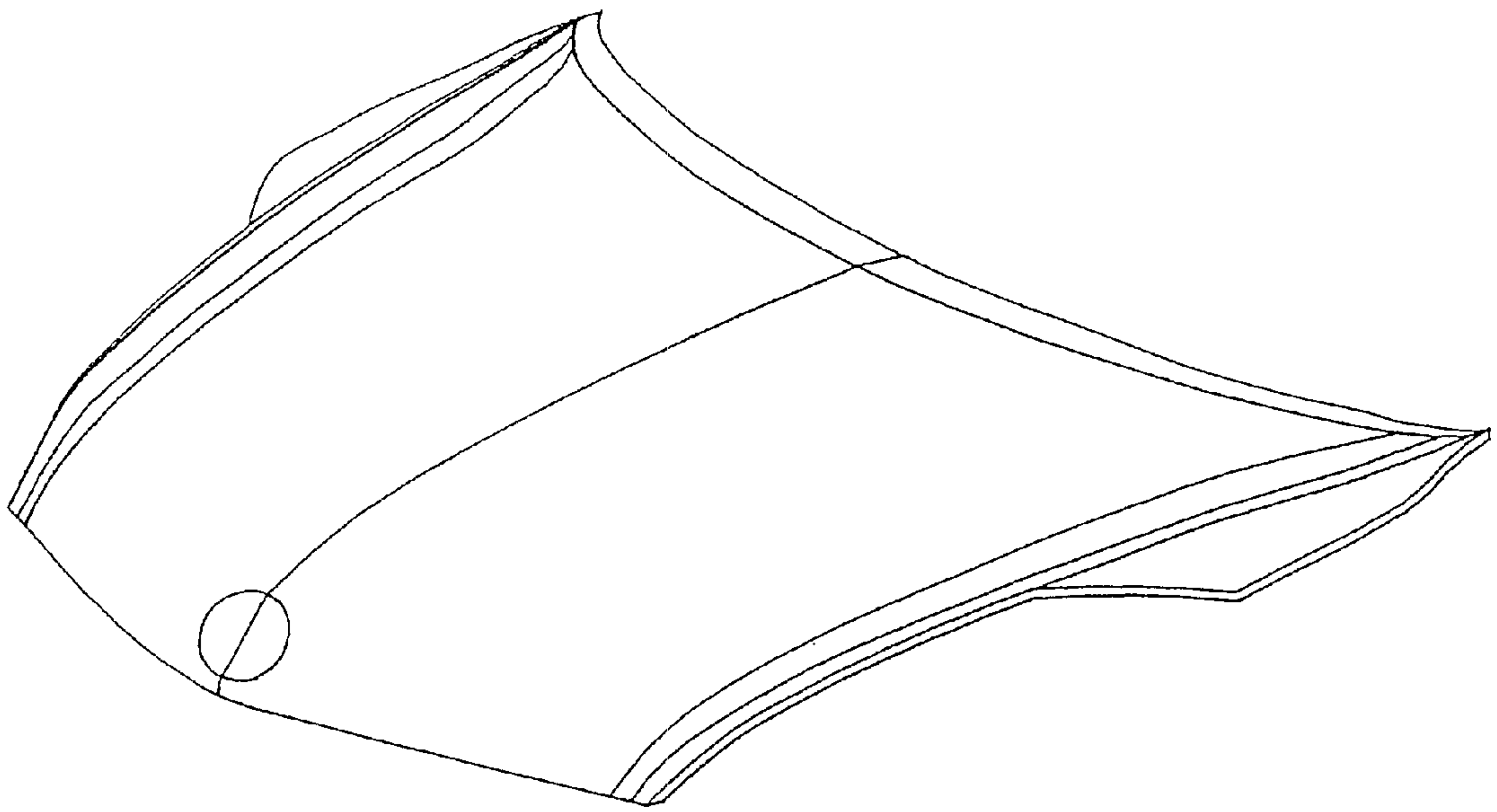


FIG. 1

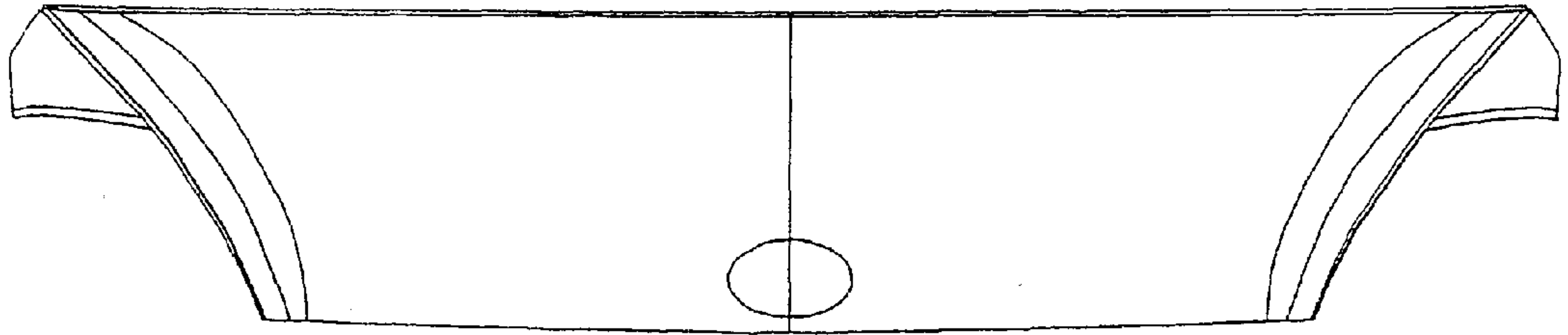


FIG. 2

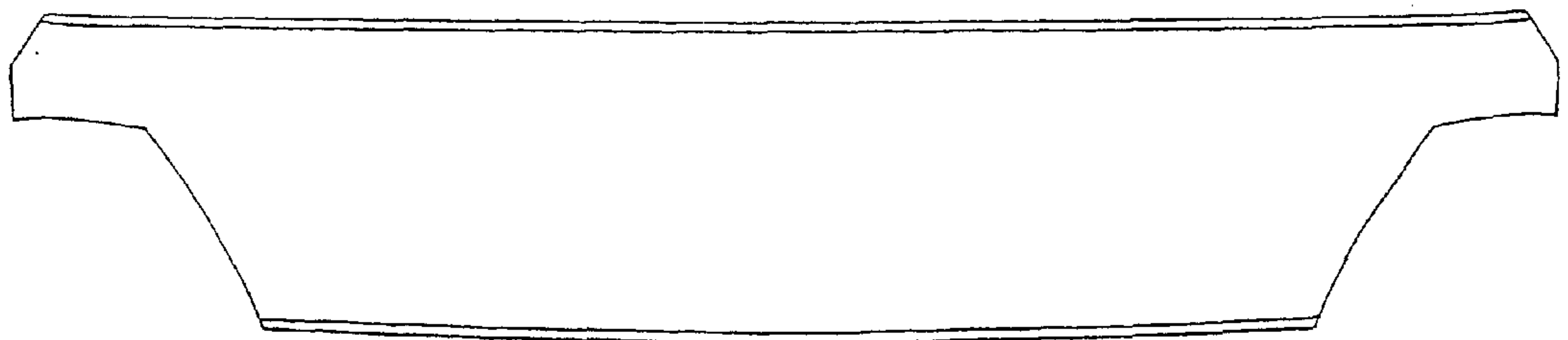


FIG. 3

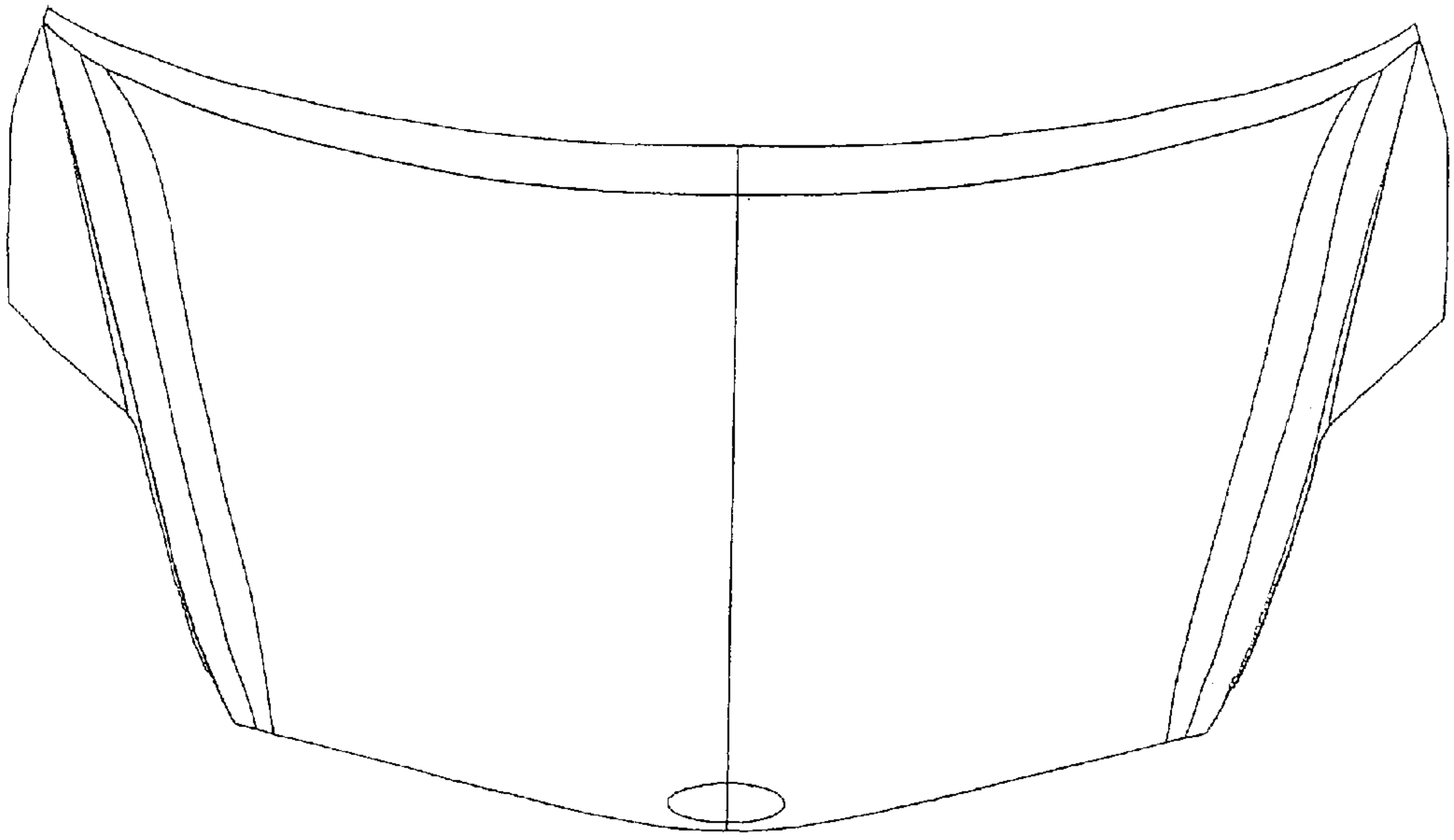


FIG. 4

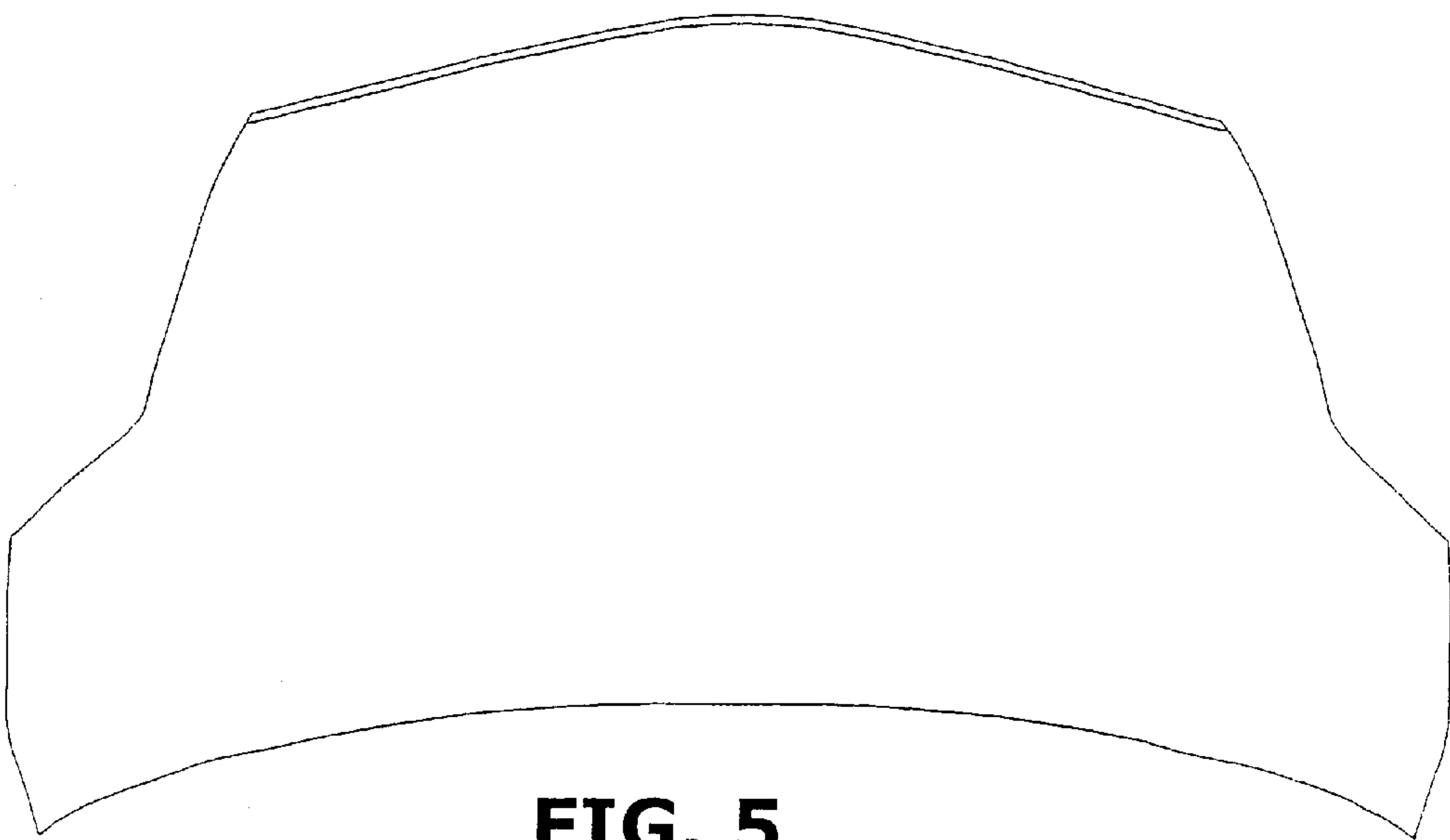


FIG. 5

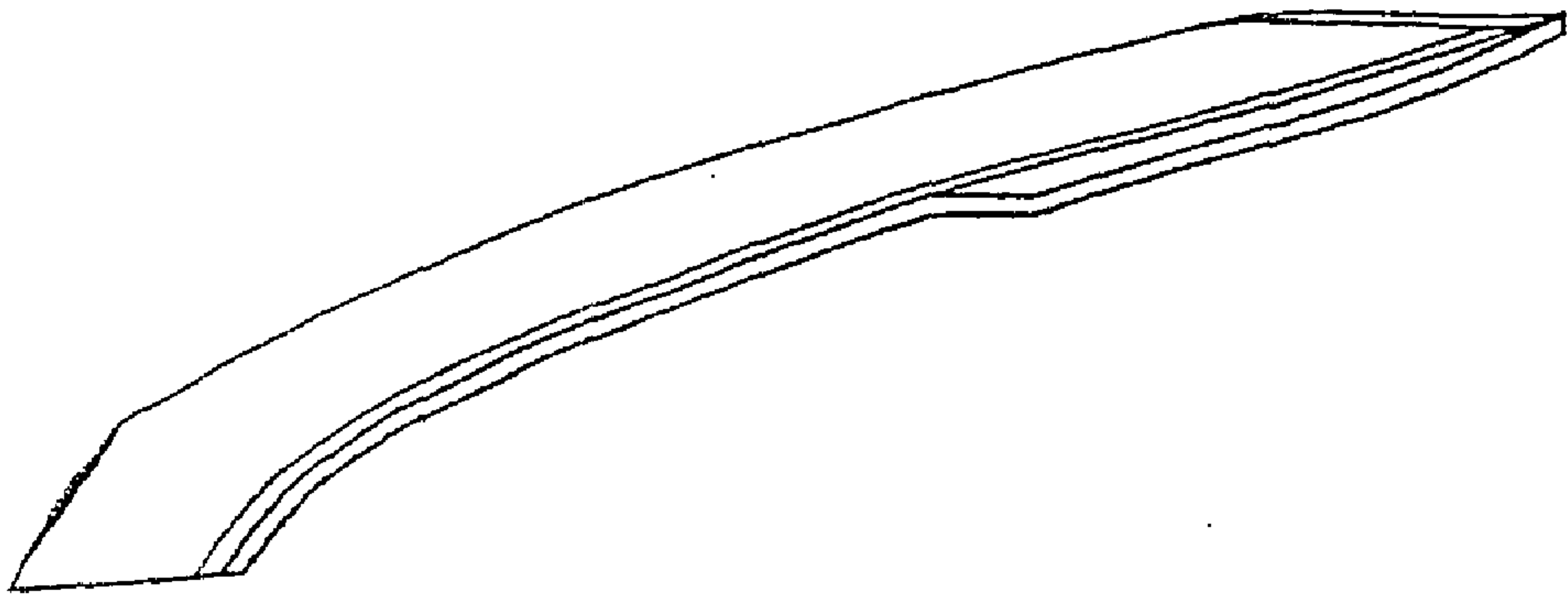


FIG. 6