



US00D484442S

(12) **United States Design Patent**
Mueller

(10) **Patent No.:** **US D484,442 S**

(45) **Date of Patent:** **** Dec. 30, 2003**

(54) **FIFTH WHEEL TOW PLATE ADAPTOR**

(76) **Inventor:** **Gustave M. Mueller**, P.O. Box 574,
Santa Margarita, CA (US) 93453

(**) **Term:** **14 Years**

(21) **Appl. No.:** **29/154,910**

(22) **Filed:** **Feb. 4, 2002**

(51) **LOC (7) Cl.** **12-16**

(52) **U.S. Cl.** **D12/161**

(58) **Field of Search** D12/159-162,
D12/400; 280/402, 407, 423.1, 433-437,
441.1, 414.1-414.2, 475, 476.1, 477, 493,
504, 508, 511

(56) **References Cited**

U.S. PATENT DOCUMENTS

D32,197 S	*	2/1900	Senderling	D12/161
D151,604 S	*	11/1948	Denney	D12/161
D307,734 S	*	5/1990	Ethridge	D12/161
D331,900 S	*	12/1992	Simmen	D12/162
D377,924 S	*	2/1997	Christensen	D12/161

D384,316 S * 9/1997 Freeman, Jr. D12/162

D399,803 S * 10/1998 Hilmen D12/162

D400,147 S * 10/1998 Gipson D12/400

D439,208 S * 3/2001 Salwasser D12/161

D444,434 S * 7/2001 Appleton D12/162

* cited by examiner

Primary Examiner—Stacia Cadmus

(74) *Attorney, Agent, or Firm*—James F. Cottone

(57) **CLAIM**

The ornamental design for a fifth wheel tow plate adaptor, as shown and described.

DESCRIPTION

FIG. 1 is a perspective view taken from the top left side of my fifth wheel tow plate adaptor showing my new design; FIG. 2 is a left side elevational view of the tow plate adaptor of FIG. 1;

FIG. 3 is a bottom plan view thereof;

FIG. 4 is a top plan view thereof; and,

FIG. 5 is a front elevational view thereof.

1 Claim, 1 Drawing Sheet

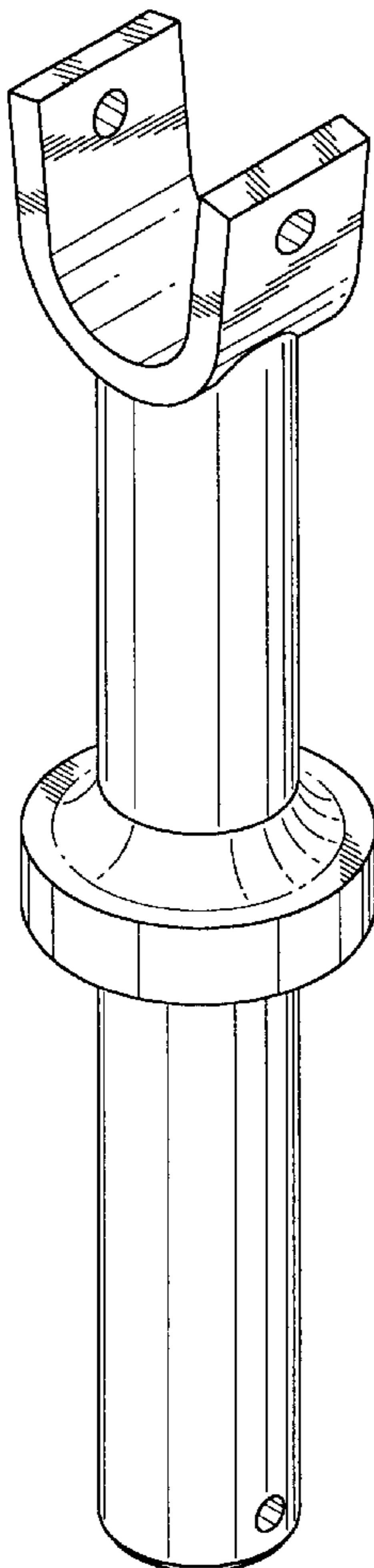


FIG. 1

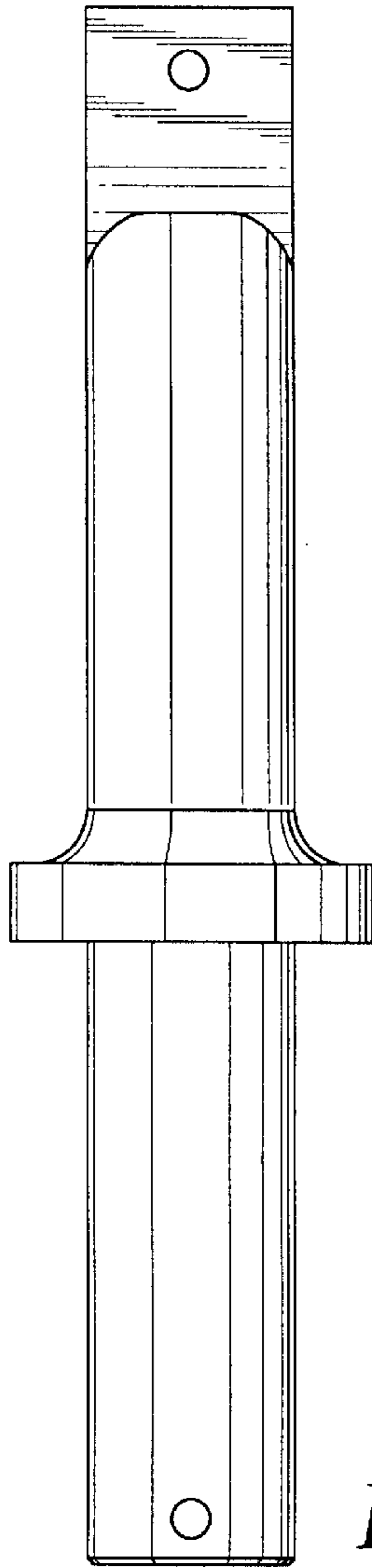
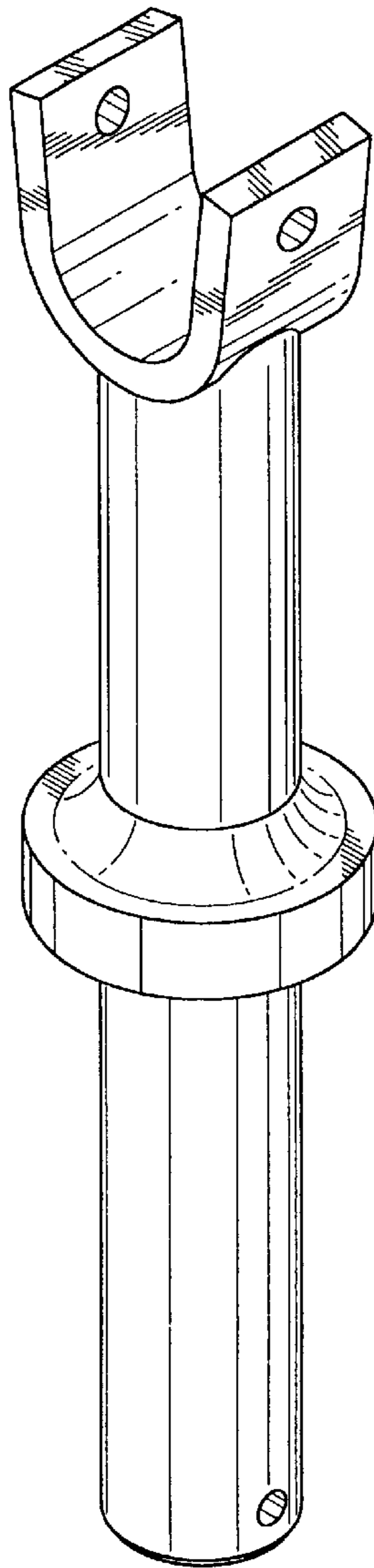


FIG. 2

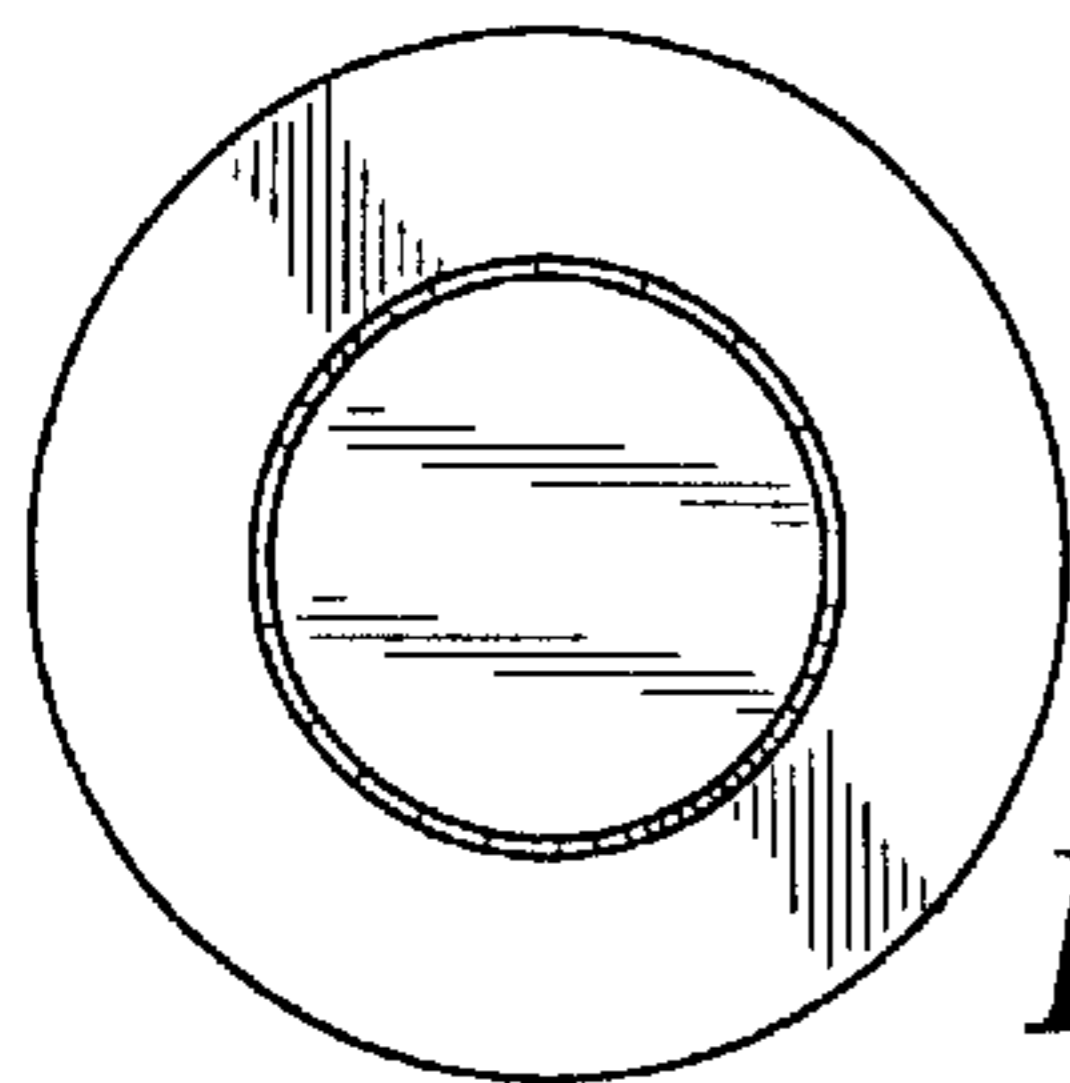


FIG. 3

FIG. 4

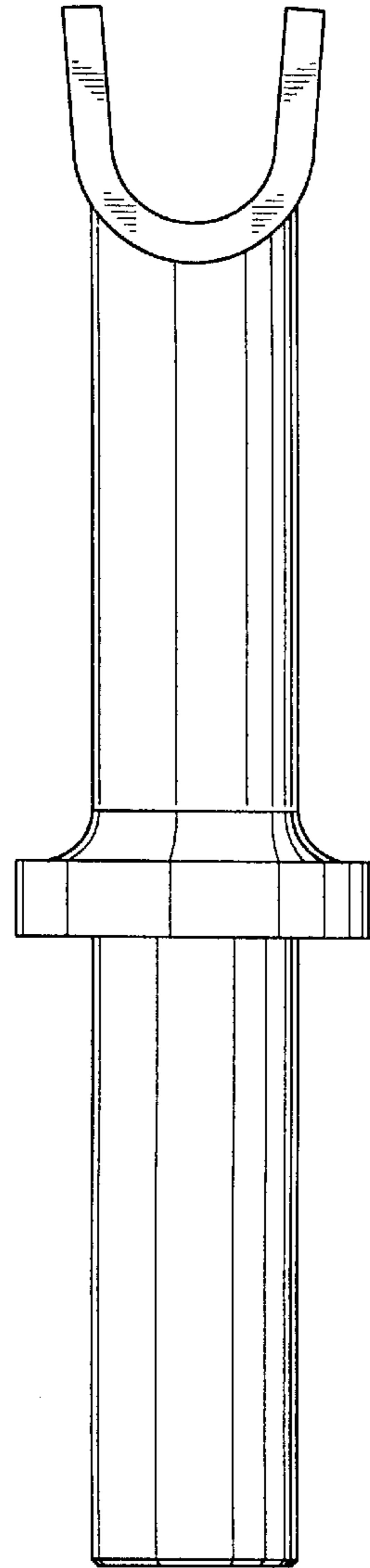
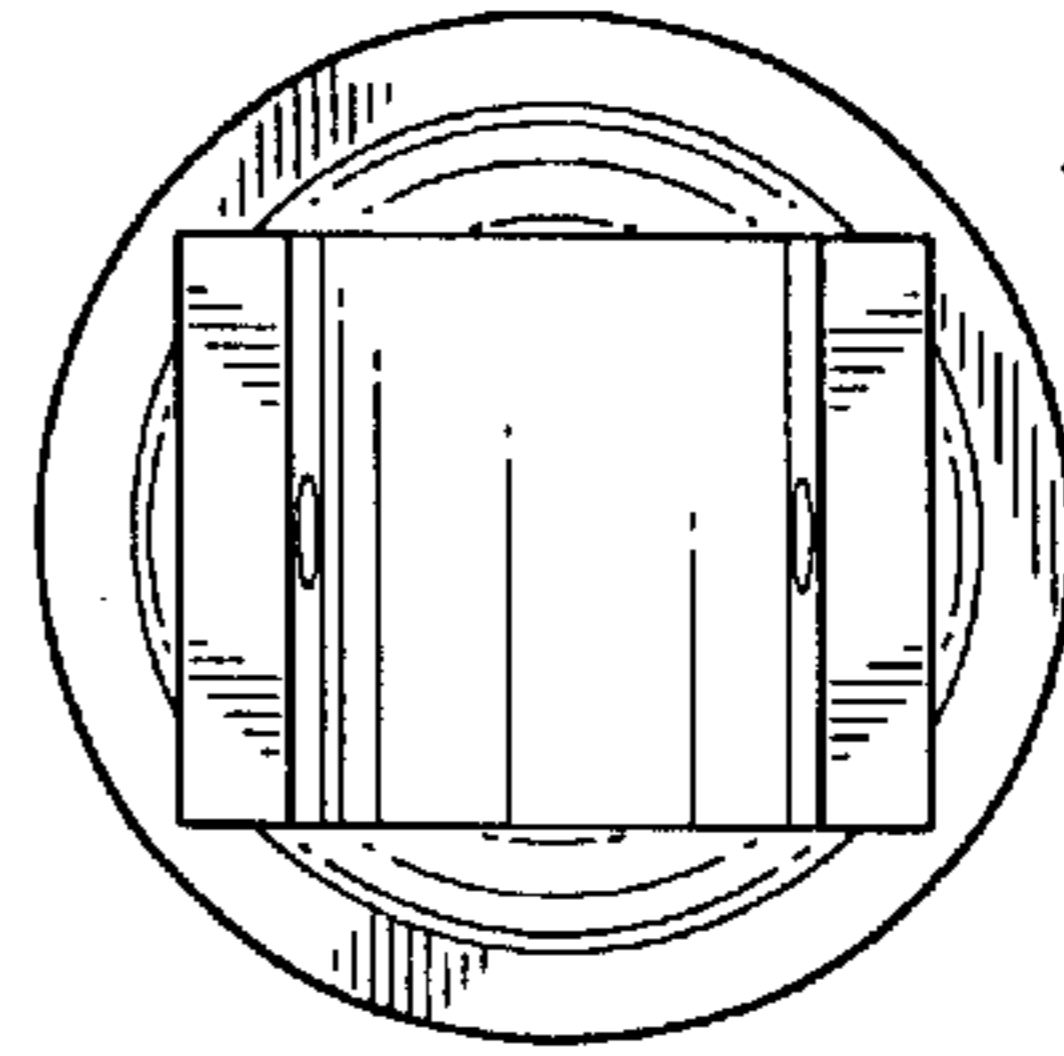


FIG. 5