



US00D484440S

(12) **United States Design Patent**
Okonkwo

(10) **Patent No.:** **US D484,440 S**

(45) **Date of Patent:** **** Dec. 30, 2003**

(54) **MODERN SPORTS CAR BODY**

(75) Inventor: **Chidi Okonkwo**, 670 McGill Pl.,
Atlanta, GA (US) 30312

(73) Assignee: **Chidi Okonkwo**, Atlanta, GA (US)

(**) Term: **14 Years**

(21) Appl. No.: **29/178,166**

(22) Filed: **Mar. 24, 2003**

(51) **LOC (7) Cl.** **12-08**

(52) **U.S. Cl.** **D12/92**

(58) **Field of Search** D12/90-92, 86,
D12/88; 296/185

(56) **References Cited**

U.S. PATENT DOCUMENTS

D411,138 S	*	6/1999	Ramaciotti	D12/92
D451,844 S	*	12/2001	Thomas	D12/92
D455,102 S	*	4/2002	Crijns	D12/92
D456,310 S	*	4/2002	Okonkwo	D12/86

D464,915 S	*	10/2002	Okonkwo	D12/92
D469,387 S	*	1/2003	Ramaciotti	D12/92
D470,435 S	*	2/2003	Donckerwolke	D12/92
D478,843 S	*	8/2003	Pardo	D12/92

* cited by examiner

Primary Examiner—Melody N. Brown

(57) **CLAIM**

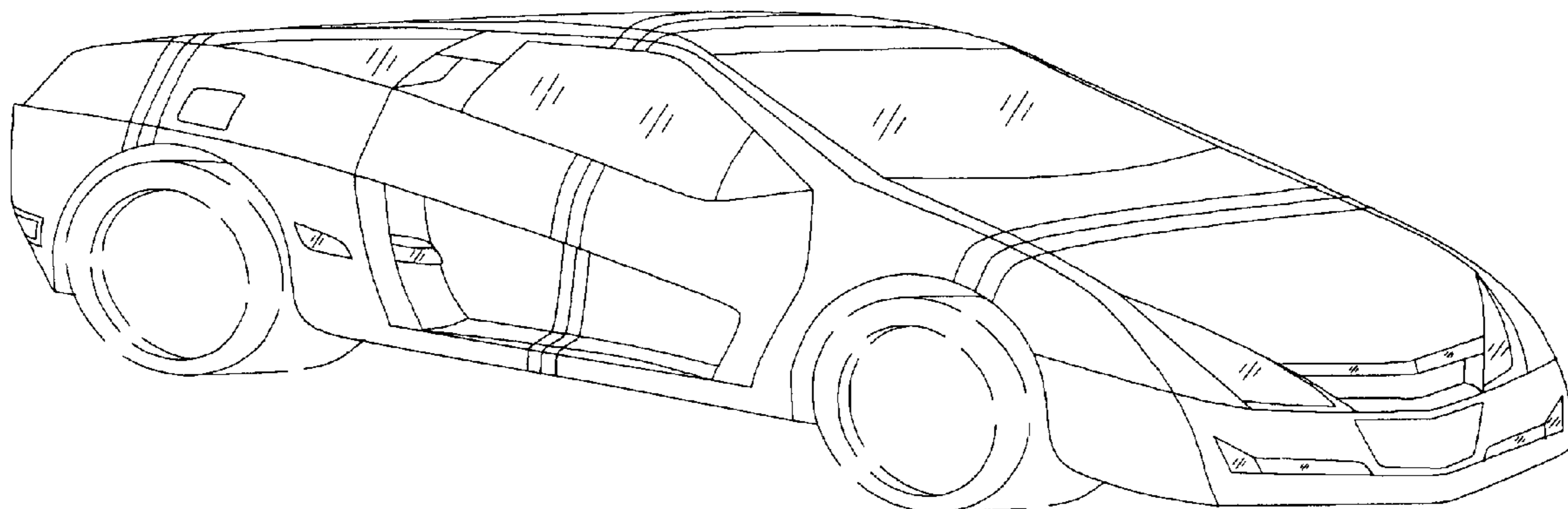
The ornamental design for a modern sports car body, as shown and described.

DESCRIPTION

FIG. 1 is a front perspective view of the modern sports car body, showing my new design;
FIG. 2 is a rear perspective view thereof;
FIG. 3 is a side view thereof;
FIG. 4 is a front view thereof; and,
FIG. 5 is a rear view thereof.

It will be understood that the broken lines showing tires and wheels through out the drawings are for illustrative purposes only and does not form any part of the subject design.

1 Claim, 2 Drawing Sheets



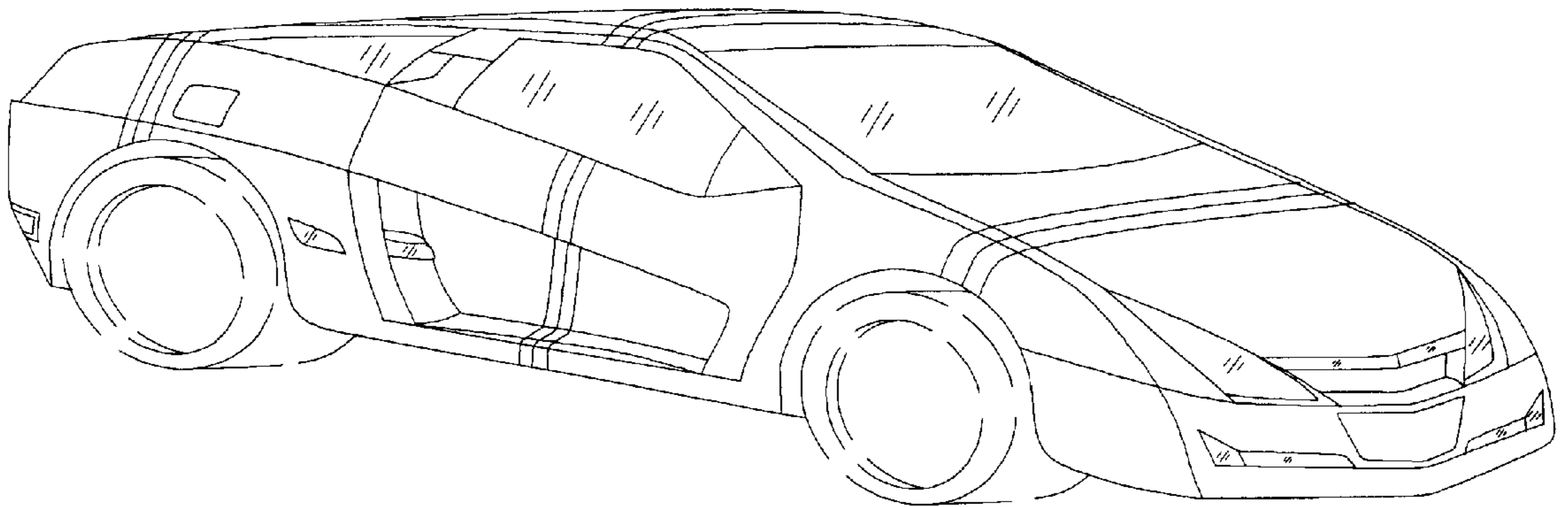


Fig - 1

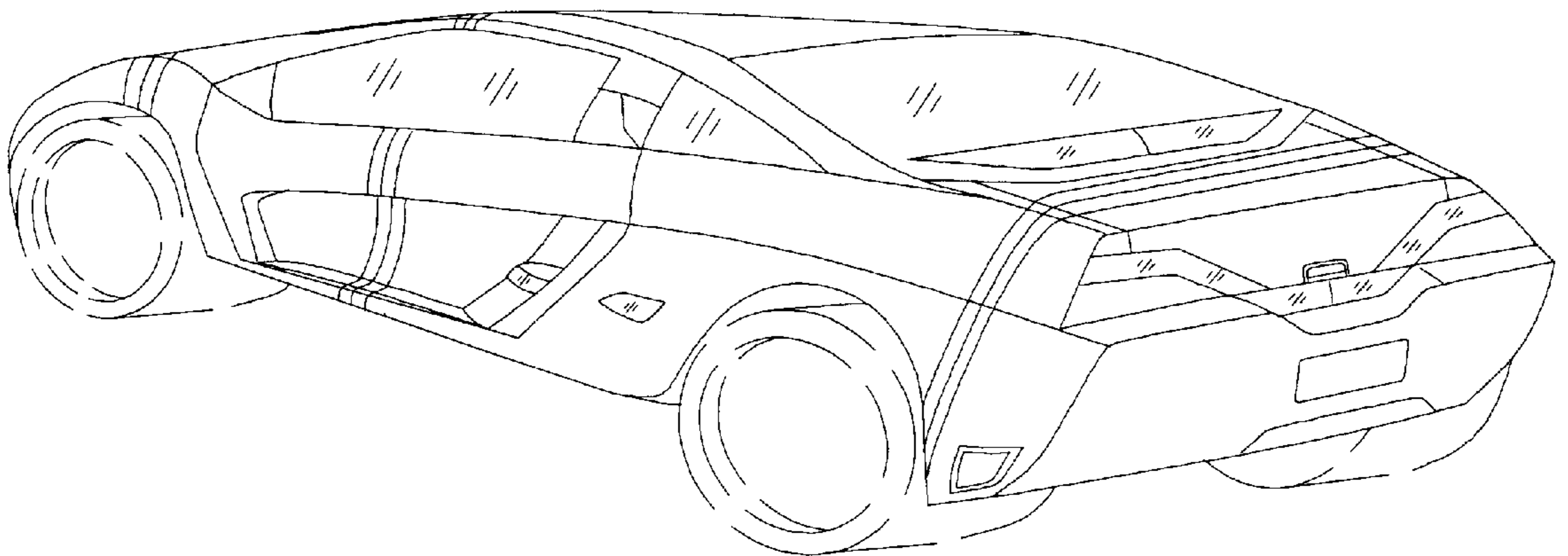


Fig - 2

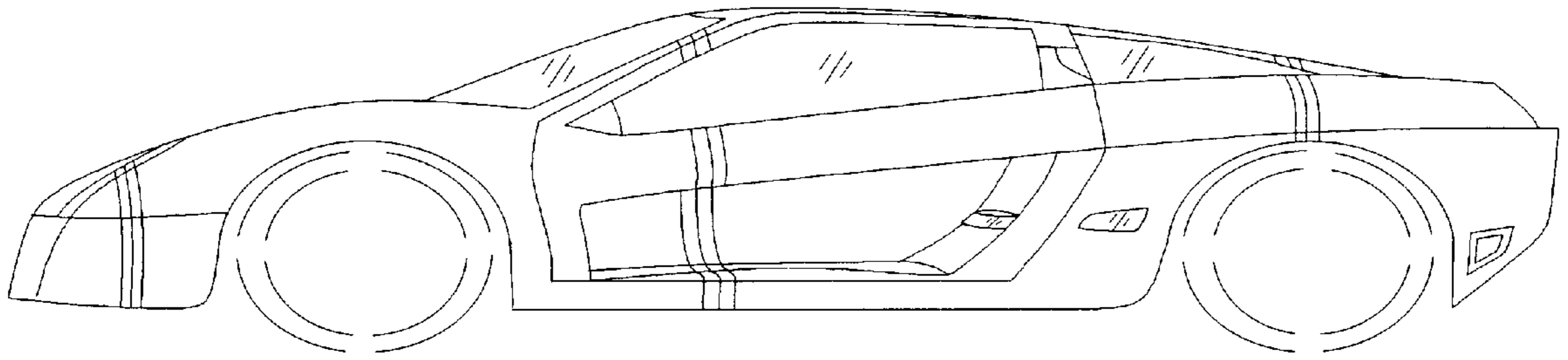


Fig - 3

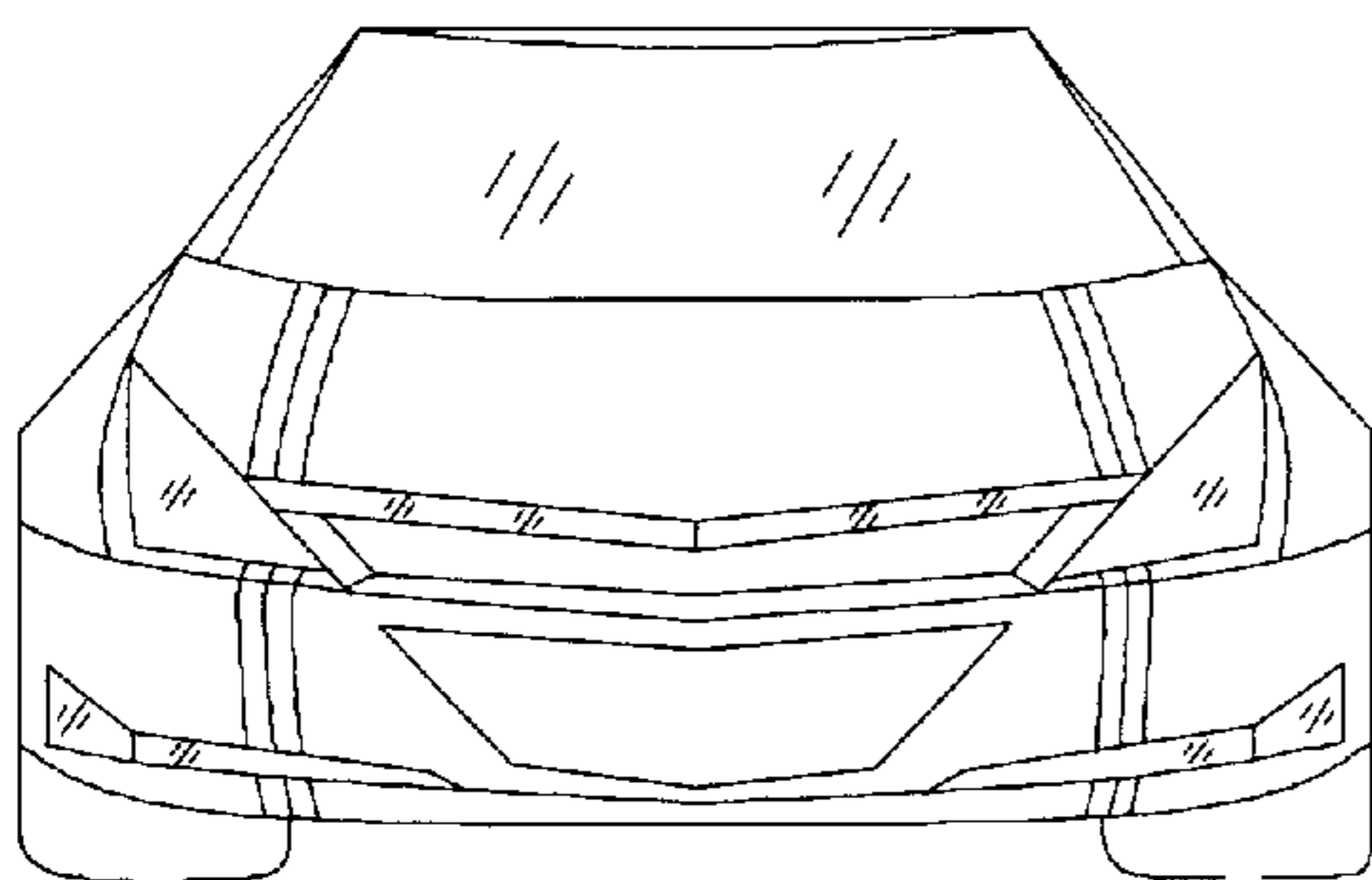


Fig - 4

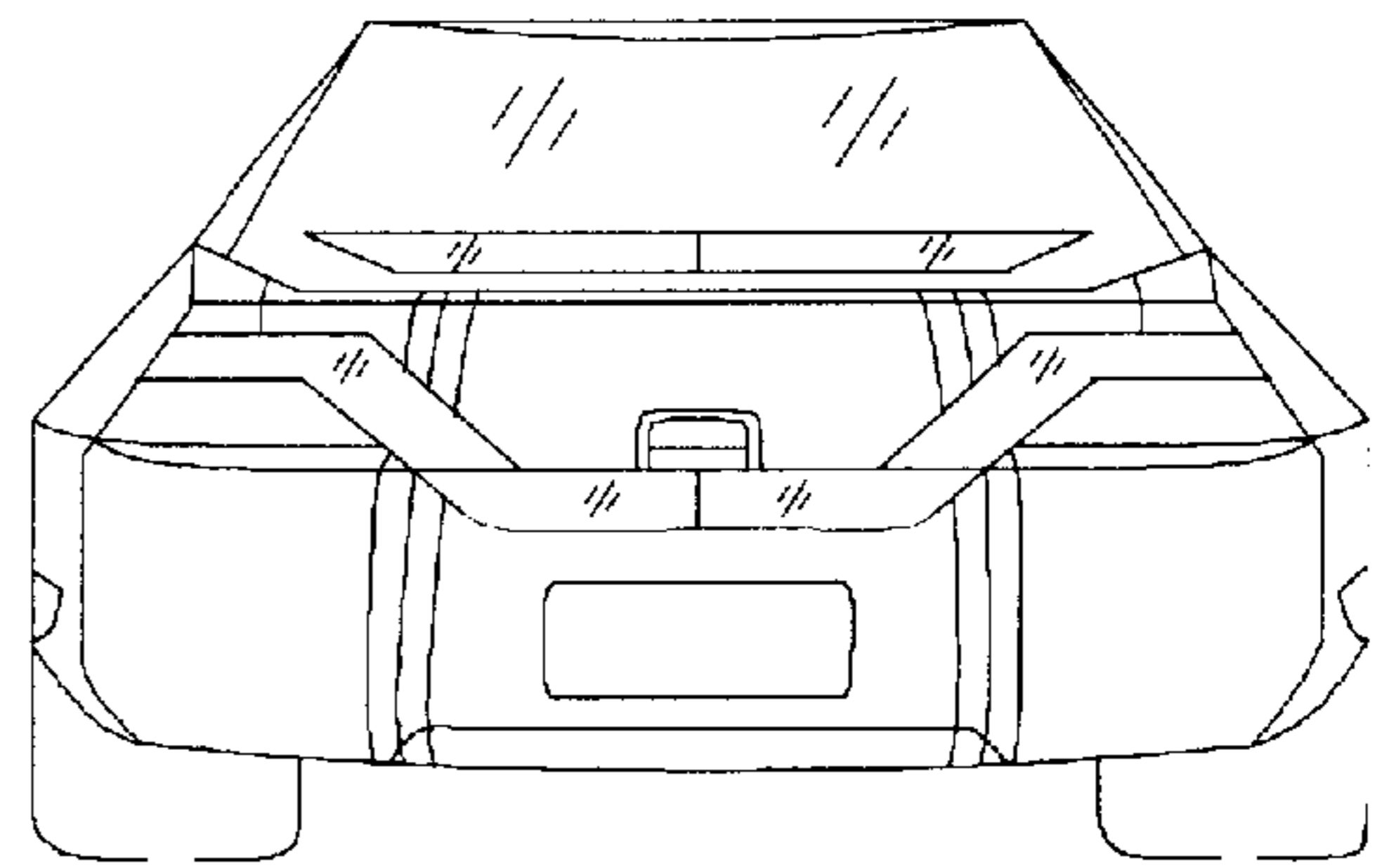


Fig - 5