



US00D484438S

(12) **United States Design Patent**
Knoth et al.

(10) **Patent No.:** **US D484,438 S**

(45) **Date of Patent:** **** Dec. 30, 2003**

(54) **ARMORED VEHICLE**

(75) Inventors: **Mark A. Knoth**, Slidell, LA (US);
Thomas F. Franklin, Slidell, LA (US);
Larry M. Regenwether, Slidell, LA (US)

(73) Assignee: **Cadillac Gage Textron Inc.**, New Orleans, LA (US)

(**) Term: **14 Years**

(21) Appl. No.: **29/177,312**

(22) Filed: **Mar. 7, 2003**

(51) **LOC (7) Cl.** **12-13**

(52) **U.S. Cl.** **D12/12**

(58) **Field of Search** D12/12; 89/36.08,
89/36.09, 37.03, 38, 40.03

(56) **References Cited**

U.S. PATENT DOCUMENTS

2,382,862	A	*	8/1945	Davis	89/36.08
3,478,643	A	*	11/1969	Forsyth et al.	89/36.08
D216,875	S	*	3/1970	D'Elia	D12/12
D219,139	S	*	11/1970	Bauer	D12/12
D253,587	S	*	12/1979	Bemiss	D12/12
D253,815	S		1/1980	Bemiss		

D256,225	S	*	8/1980	Bauer	D12/12
D262,099	S	*	12/1981	Harding	D12/12
4,326,445	A	*	4/1982	Bemiss	89/36.08
D266,063	S		9/1982	Bemiss		
D266,234	S		9/1982	Colwell		
4,667,565	A	*	5/1987	Anderson	89/36.08
D323,305	S		1/1992	Smith		
D465,435	S	*	11/2002	Legueu	D12/12

* cited by examiner

Primary Examiner—Nelson C. Holtje

(74) *Attorney, Agent, or Firm*—Lesley A. Hamlin; Gregory M. McCloskey

(57) **CLAIM**

The ornamental design for an armored vehicle, as shown and described.

DESCRIPTION

FIG. 1 is a left side view of an armored vehicle according to the present invention, the right side being substantially a mirror image of FIG. 1;

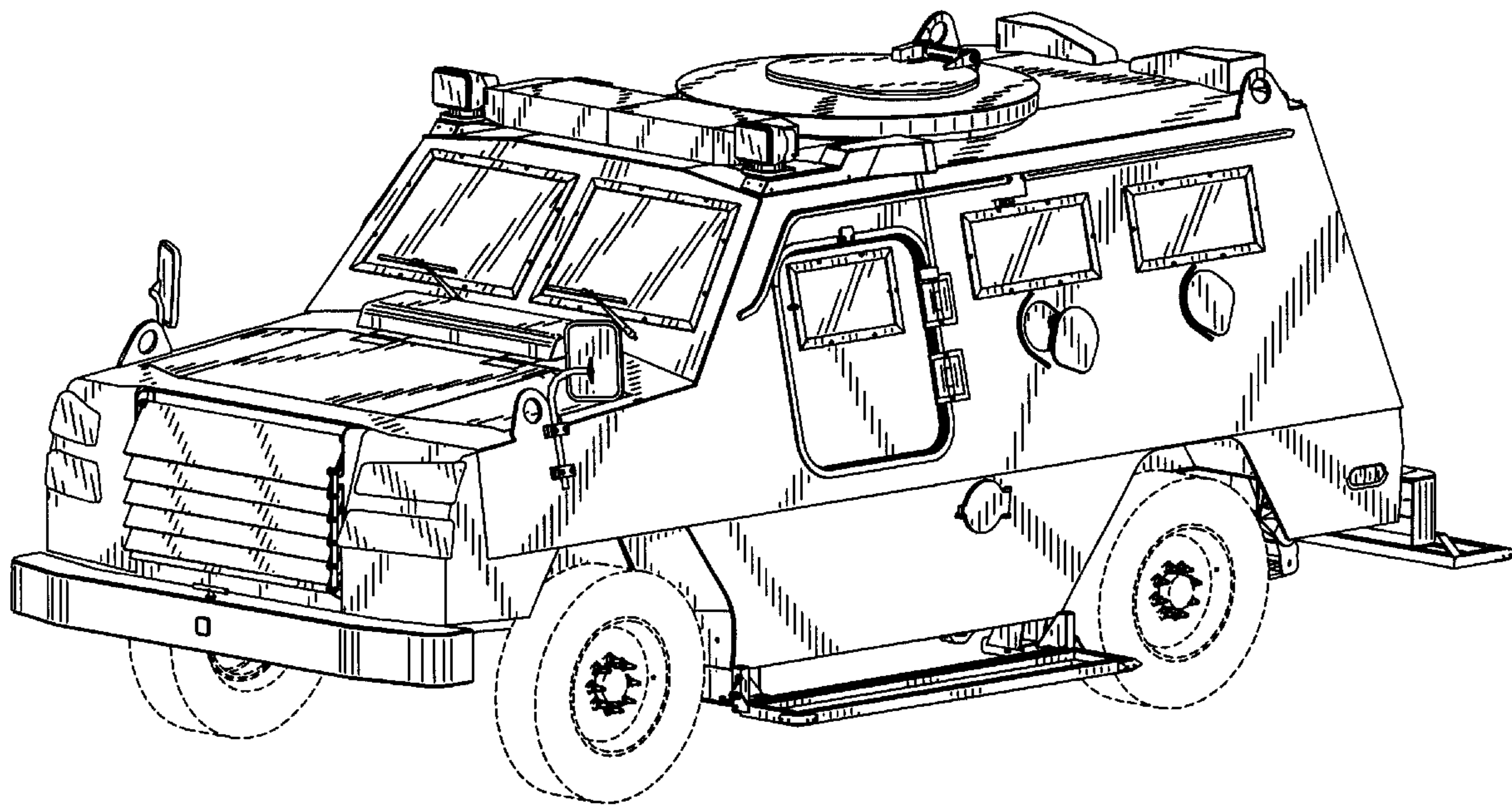
FIG. 2 is a front view thereof;

FIG. 3 is a rear view thereof;

FIG. 4 is a top view thereof; and,

FIG. 5 is a front, left side perspective view thereof.

1 Claim, 4 Drawing Sheets



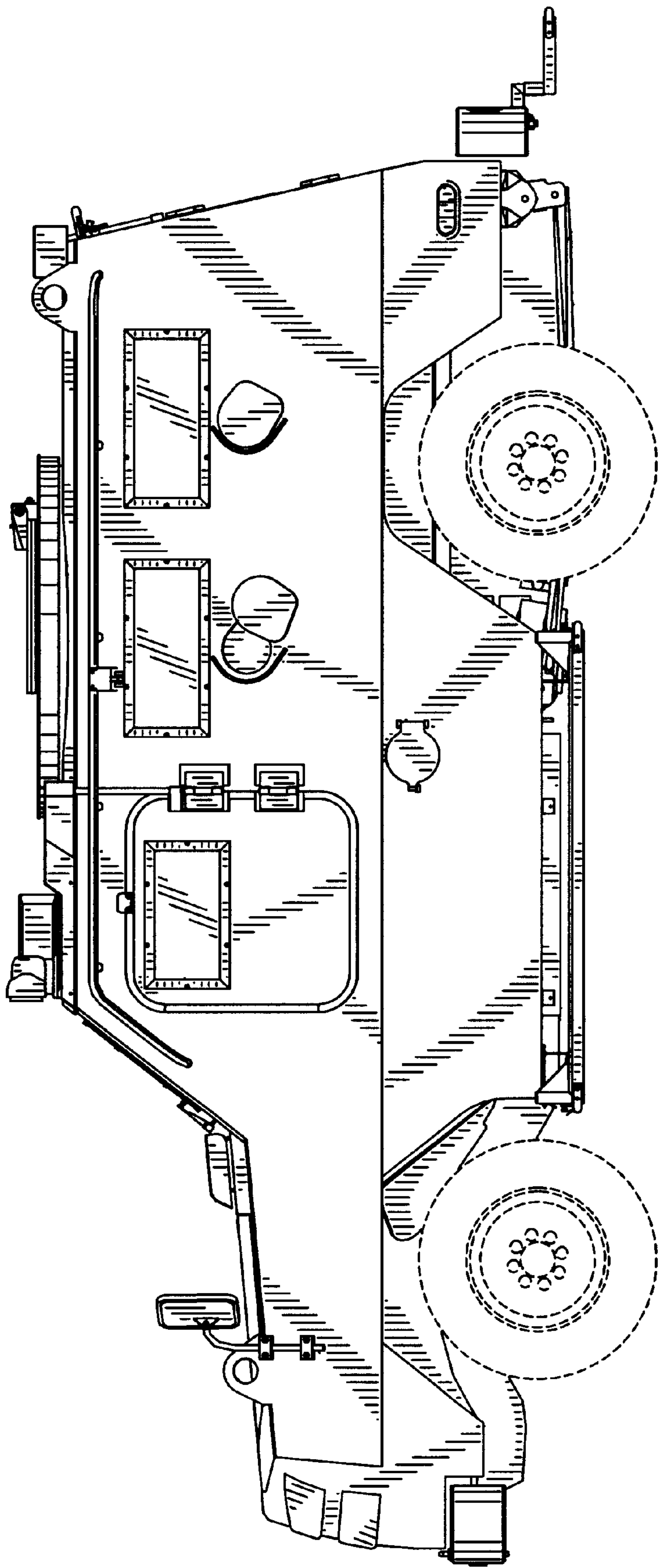


FIG. 1

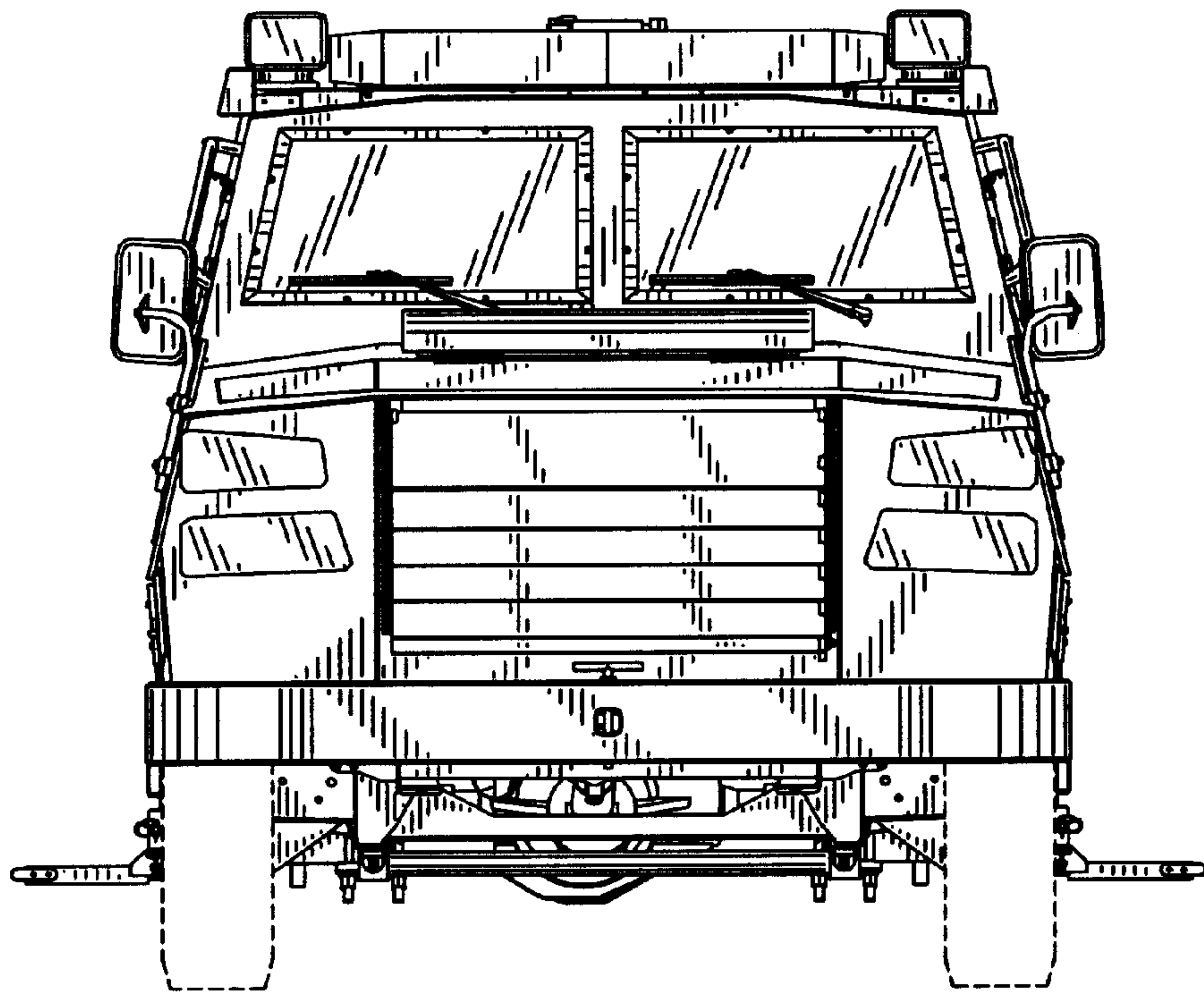


FIG. 2

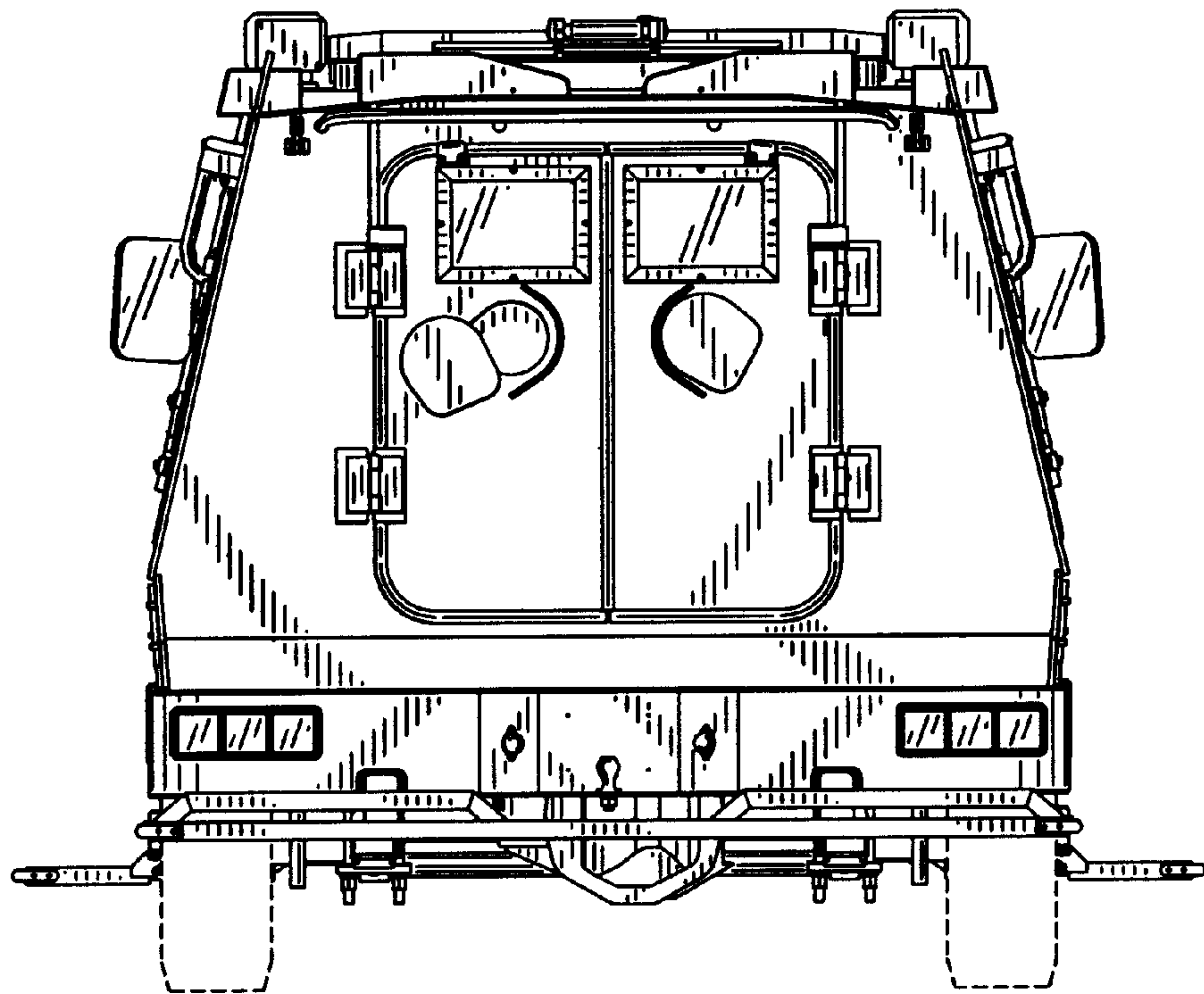


FIG. 3

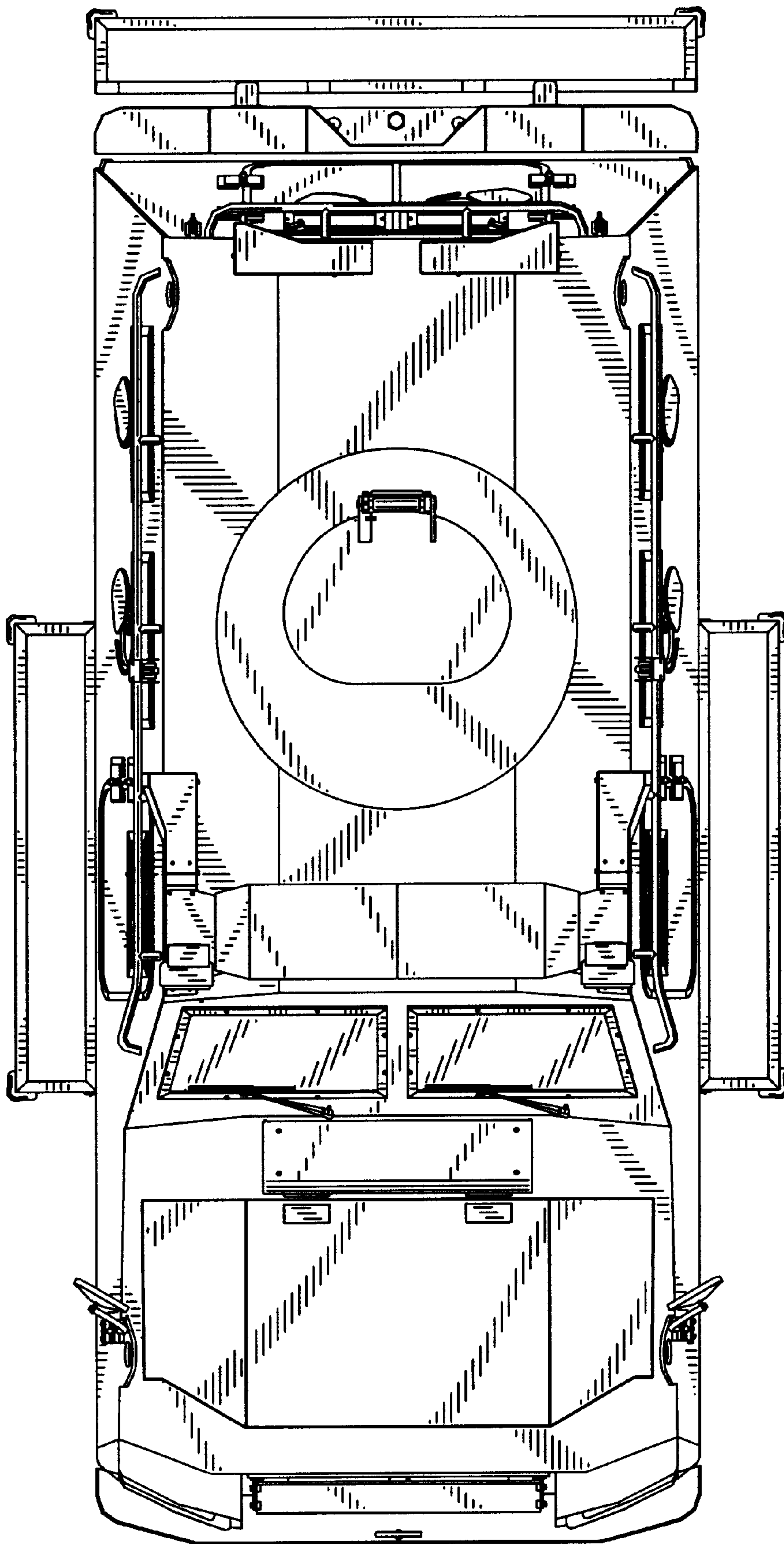


FIG. 4

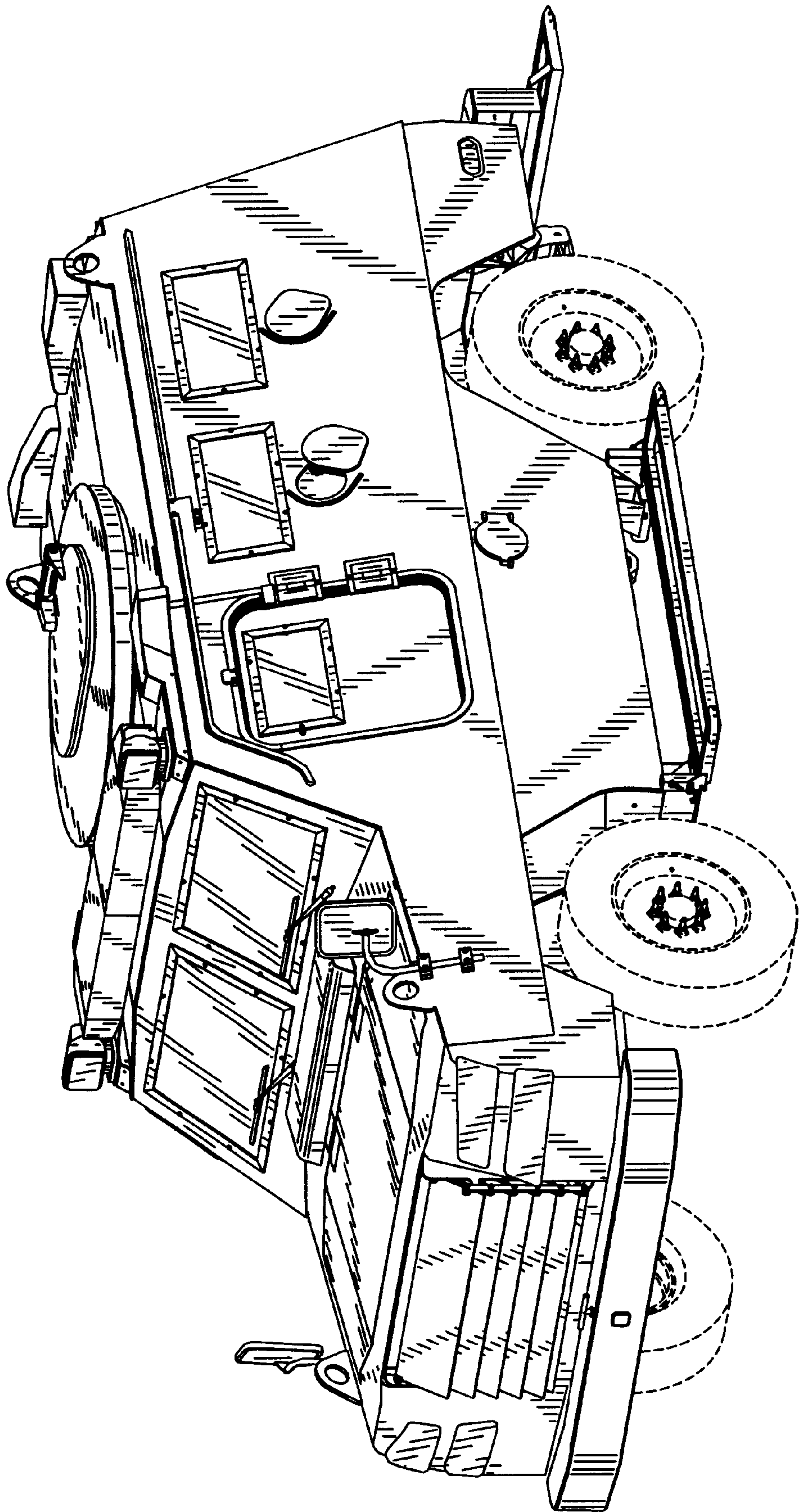


FIG. 5