



US00D484429S

(12) **United States Design Patent**
Heary, Sr.

(10) **Patent No.:** **US D484,429 S**

(45) **Date of Patent:** **** Dec. 30, 2003**

(54) **LIGHTNING ROD ASSEMBLY**

(75) **Inventor:** **Kenneth P. Heary, Sr.,** Springville, NY (US)

(73) **Assignee:** **Heary Bros. Lightning Protection Company, Inc.,** Springville, NY (US)

(**) **Term:** **14 Years**

(21) **Appl. No.:** **29/183,358**

(22) **Filed:** **Jun. 11, 2003**

(51) **LOC (7) Cl.** **10-05**

(52) **U.S. Cl.** **D10/105**

(58) **Field of Search** D10/105; 361/117-119; 248/226.12, 237, 300, 309.1, 346.03

(56) **References Cited**

U.S. PATENT DOCUMENTS

1,017,308	A	*	2/1912	Mitchell	174/4	R
3,236,932	A	*	2/1966	Grigas et al.	174/2	X
3,291,428	A	*	12/1966	Sislak	248/300	
3,961,226	A	*	6/1976	Hoffman et al.	361/119	
4,016,462	A	*	4/1977	Pavliny	361/117	
4,095,262	A	*	6/1978	Clair	361/1	
4,737,880	A	*	4/1988	Mickelson	361/119	

5,227,944	A	*	7/1993	Eggendorfer	361/103	
5,664,754	A	*	9/1997	Gaenslen	248/317	
5,810,303	A	*	9/1998	Bourassa et al.	248/205.1	
6,439,523	B1	*	8/2002	Chandler, Jr. et al.	248/300	

* cited by examiner

Primary Examiner—Nelson C. Holtje

(74) *Attorney, Agent, or Firm*—Simpson & Simpson, PLLC

(57) **CLAIM**

The ornamental design for a lightning rod assembly, as shown.

DESCRIPTION

FIG. 1 is a perspective view of a lightning rod assembly showing my new design;

FIG. 2 is a rear elevational view of the present invention;

FIG. 3 is a front elevational view of the present invention;

FIG. 4 is a left side elevational view of the present invention;

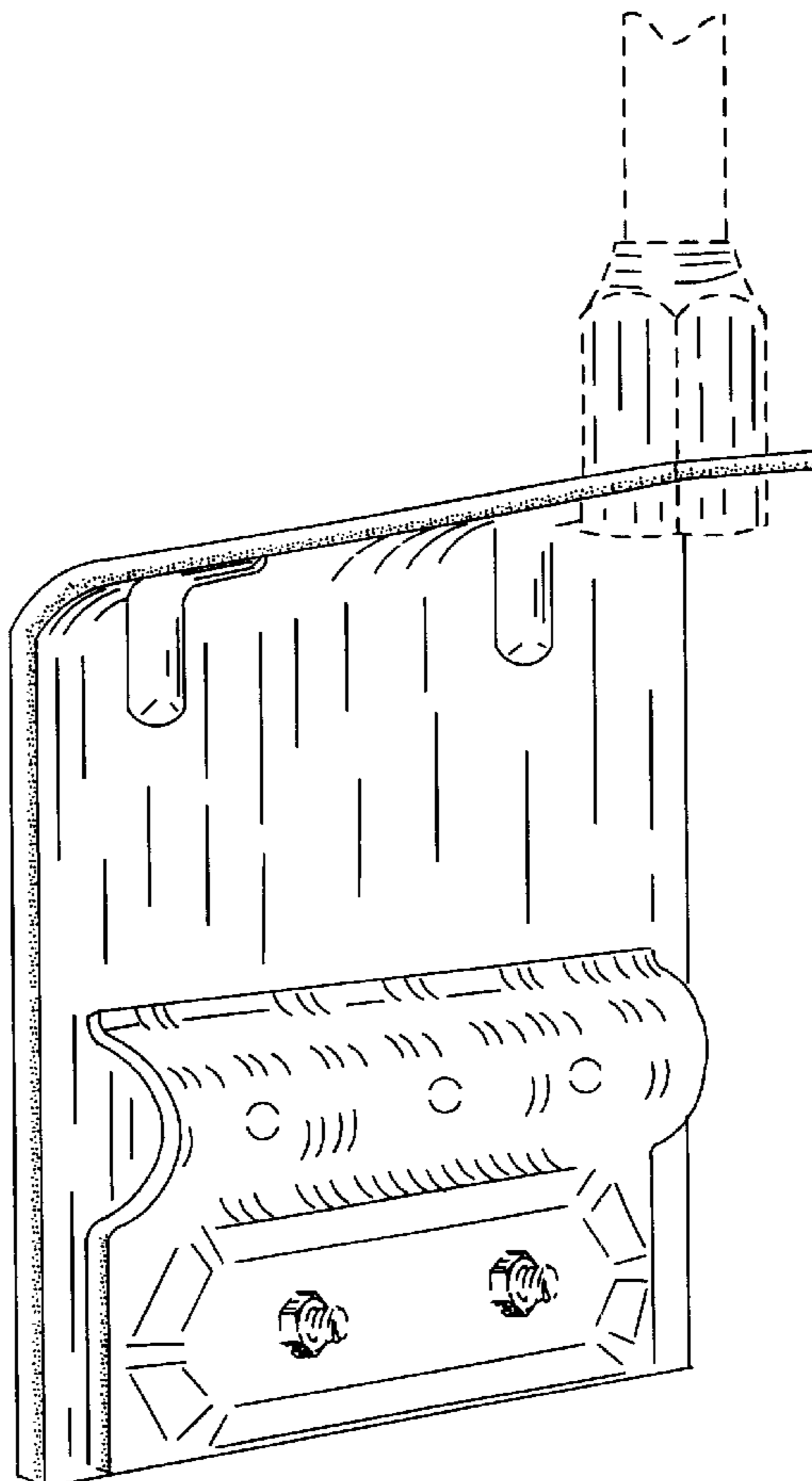
FIG. 5 is a right side elevational view of the present invention;

FIG. 6 is a bottom plan view of the present invention; and,

FIG. 7 is a top plan view of the present invention.

The structures shown in broken lines form no part of the claimed design.

1 Claim, 7 Drawing Sheets



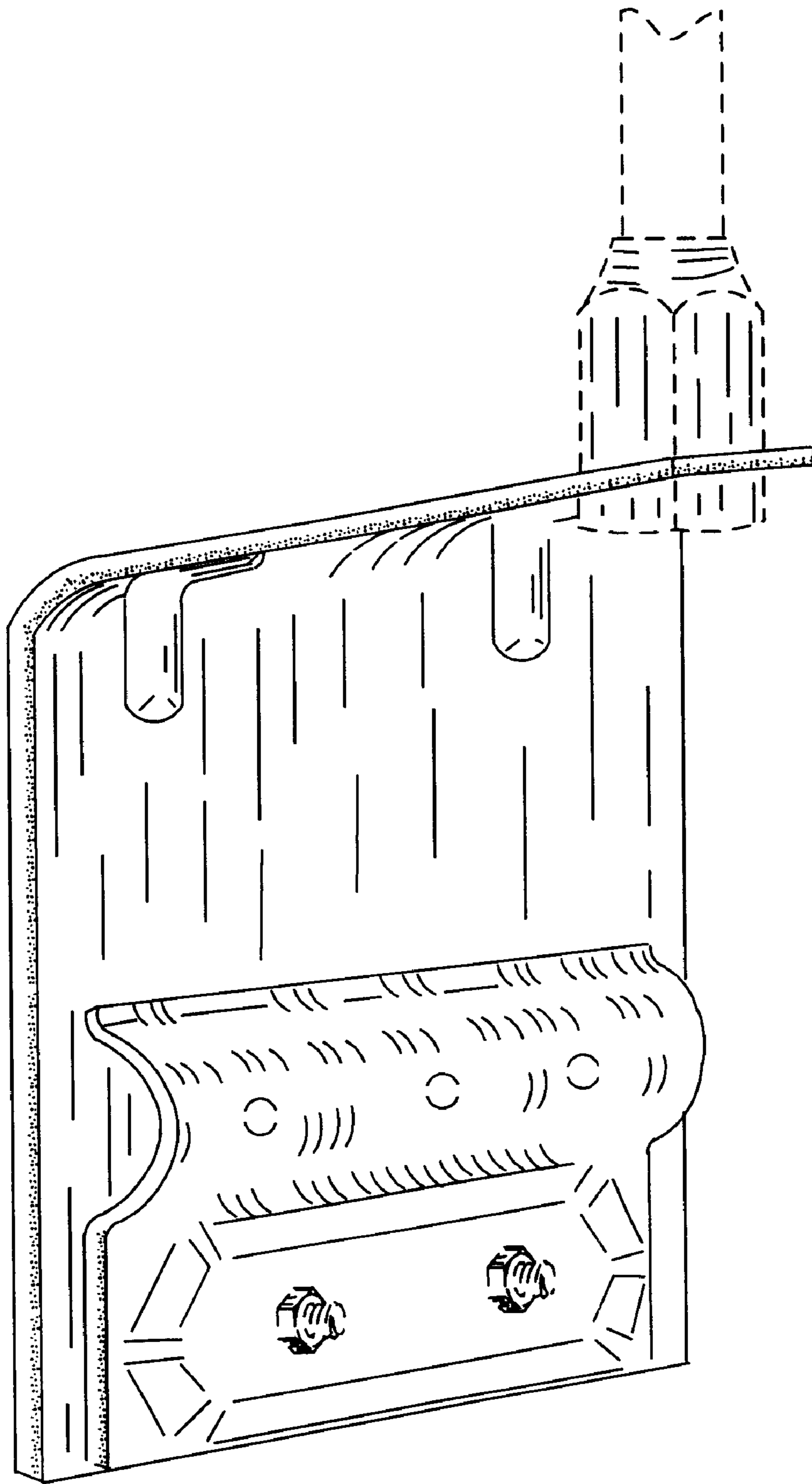


Fig. 1

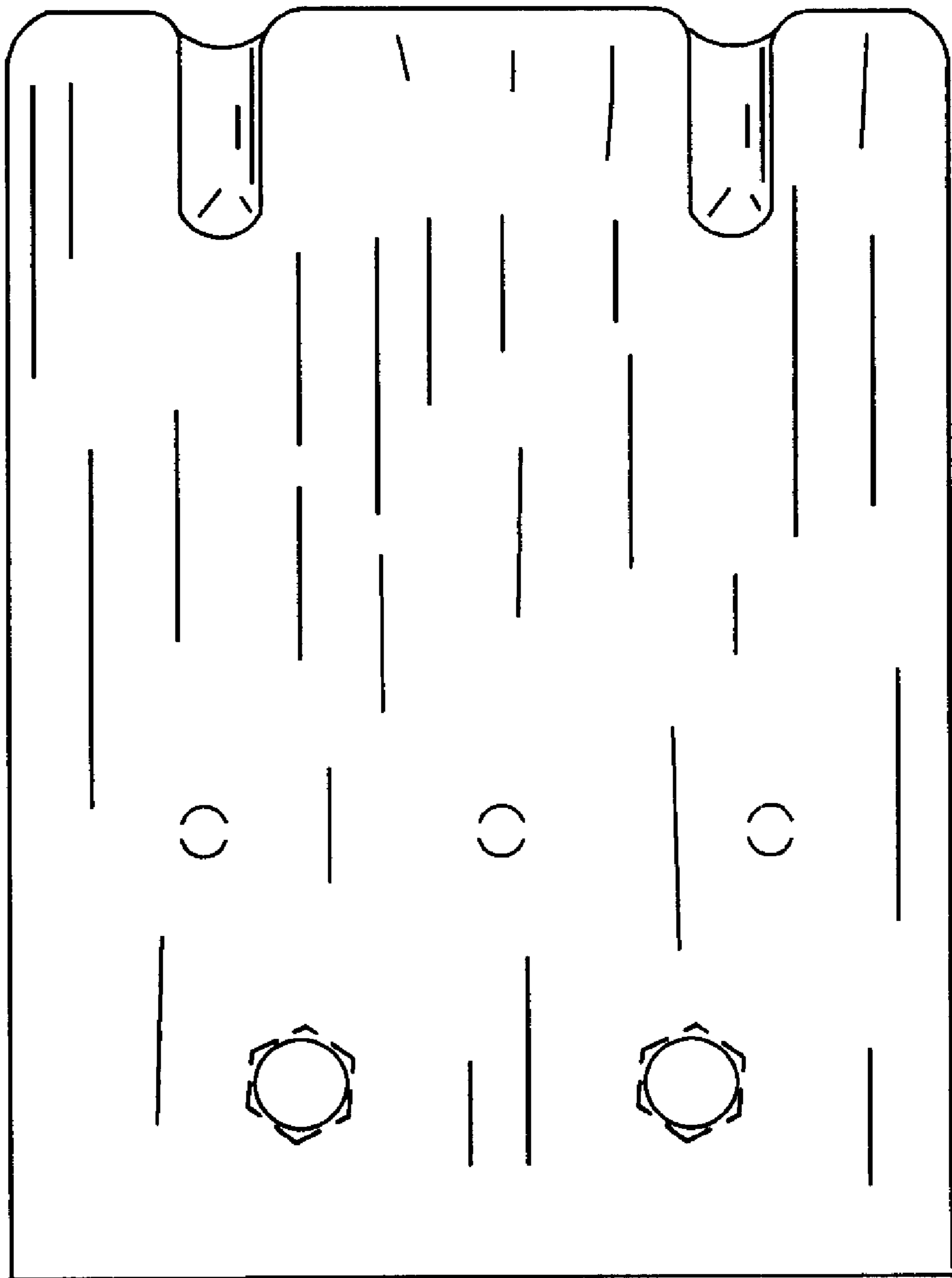


Fig. 2

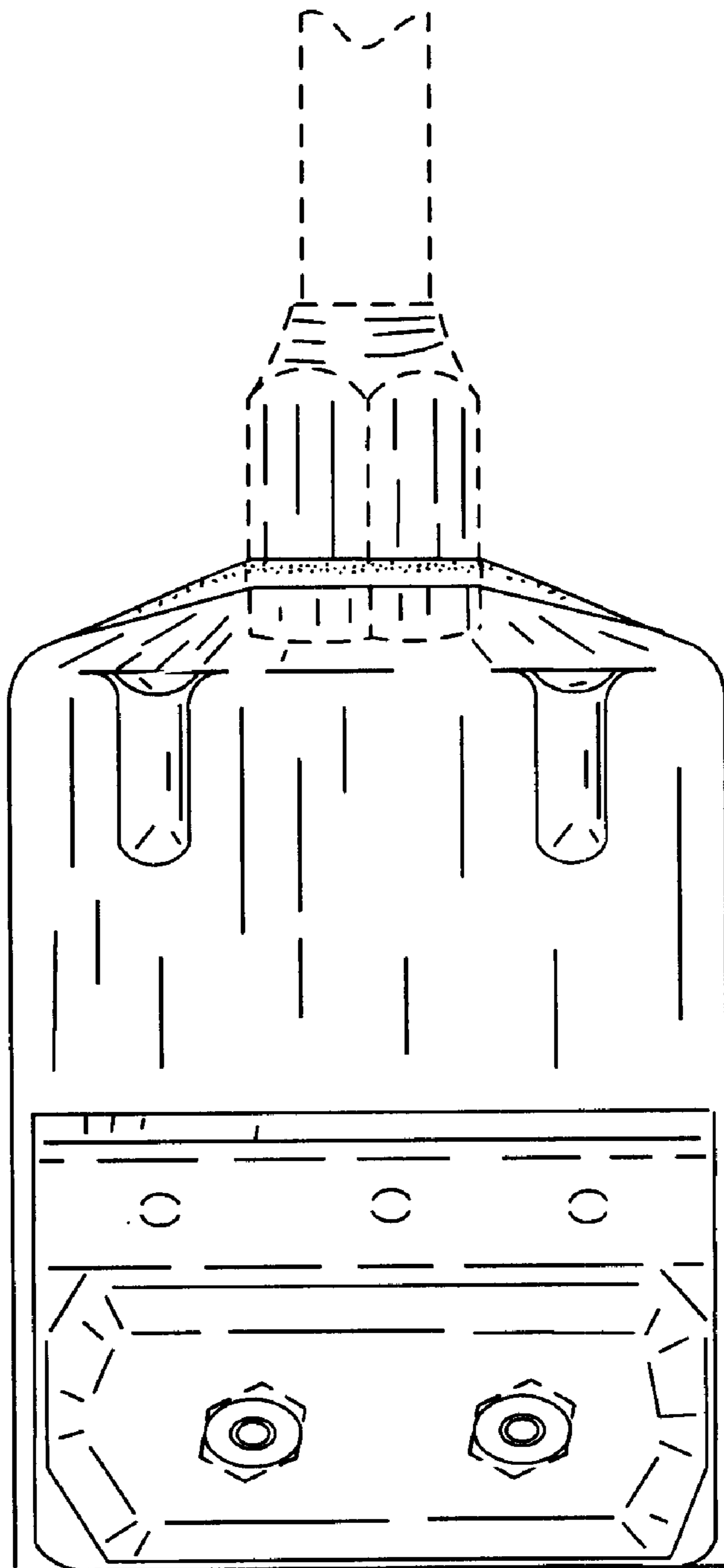


Fig. 3

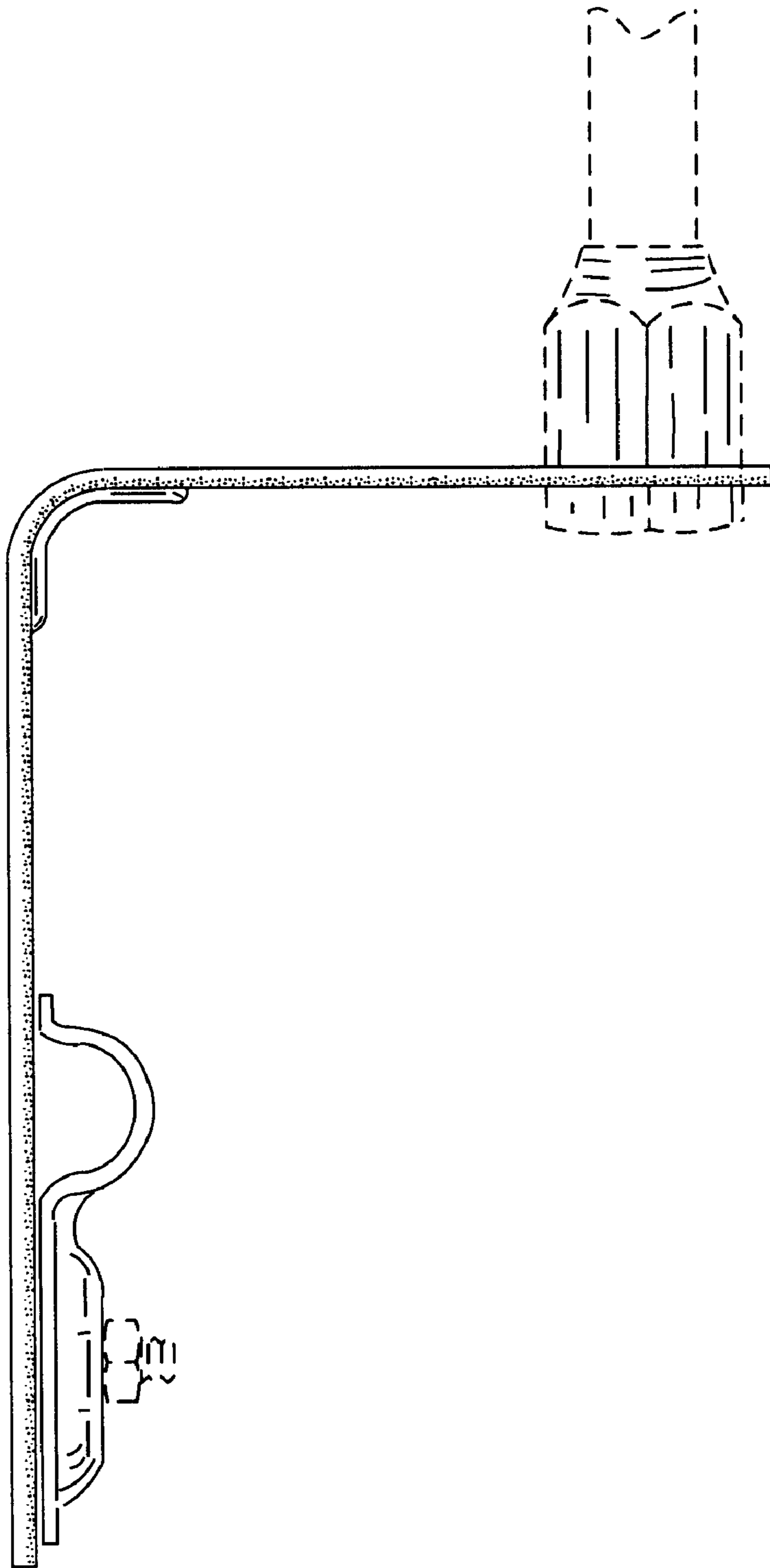


Fig. 4

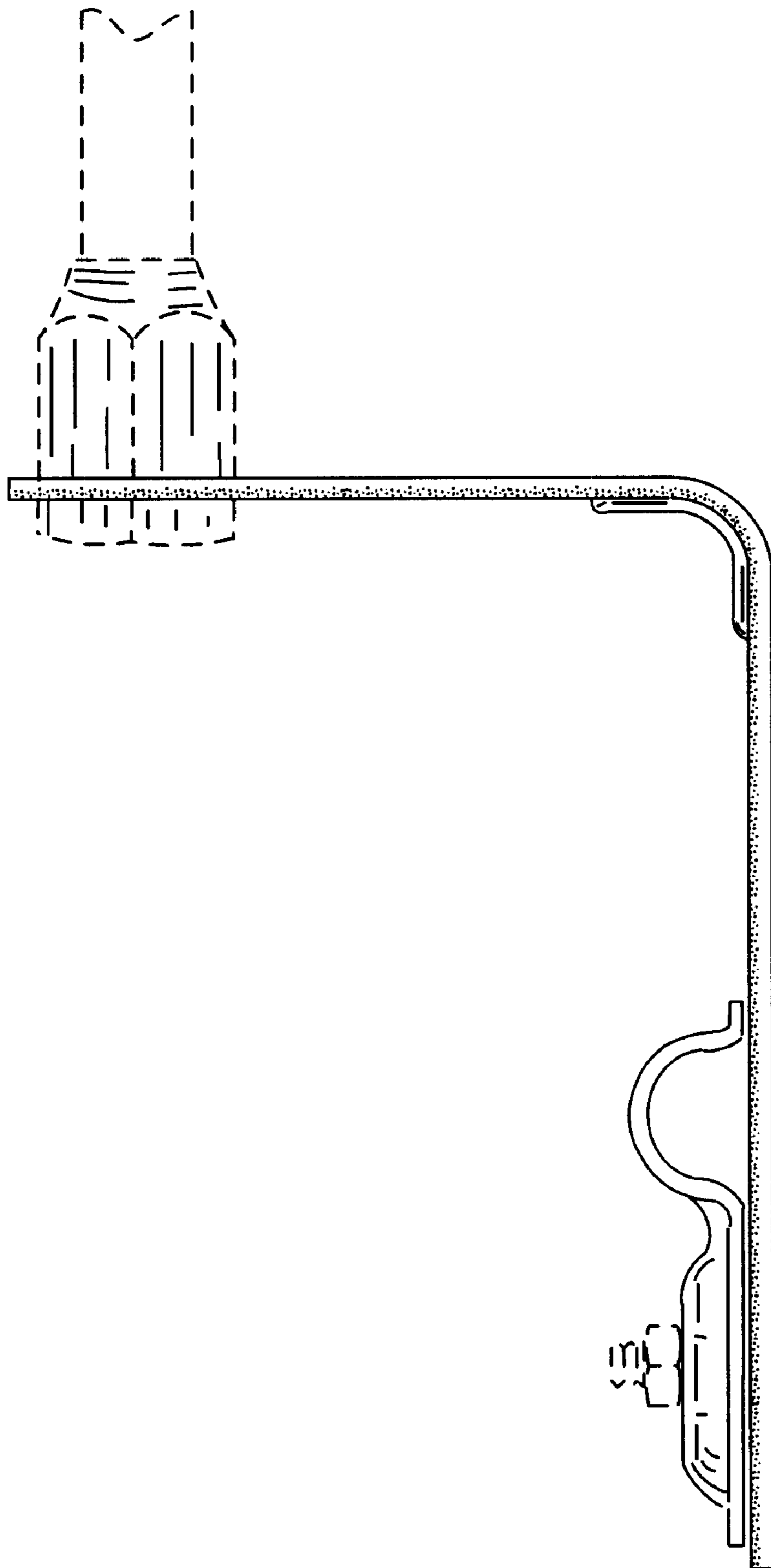


Fig. 5

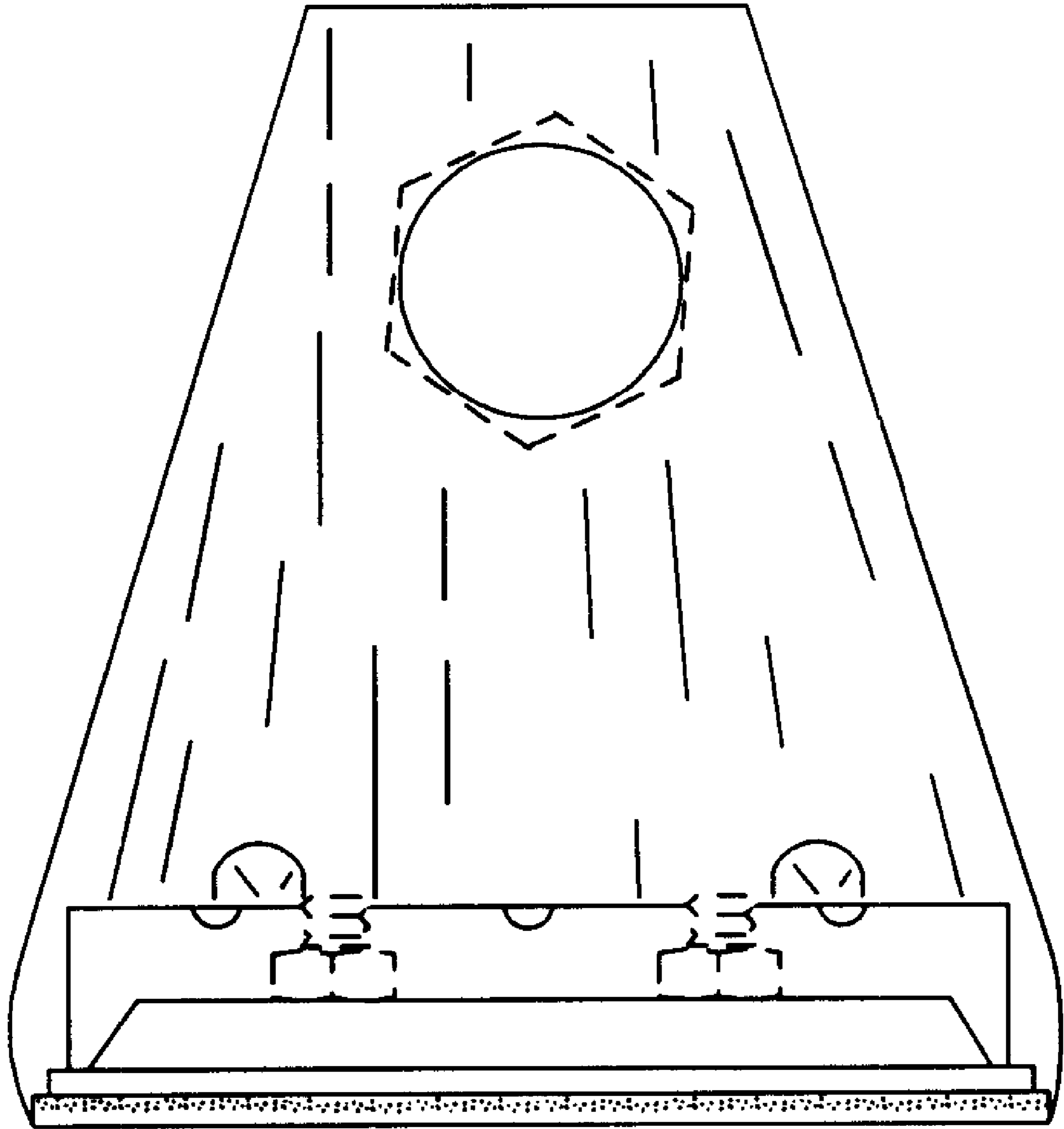


Fig. 6

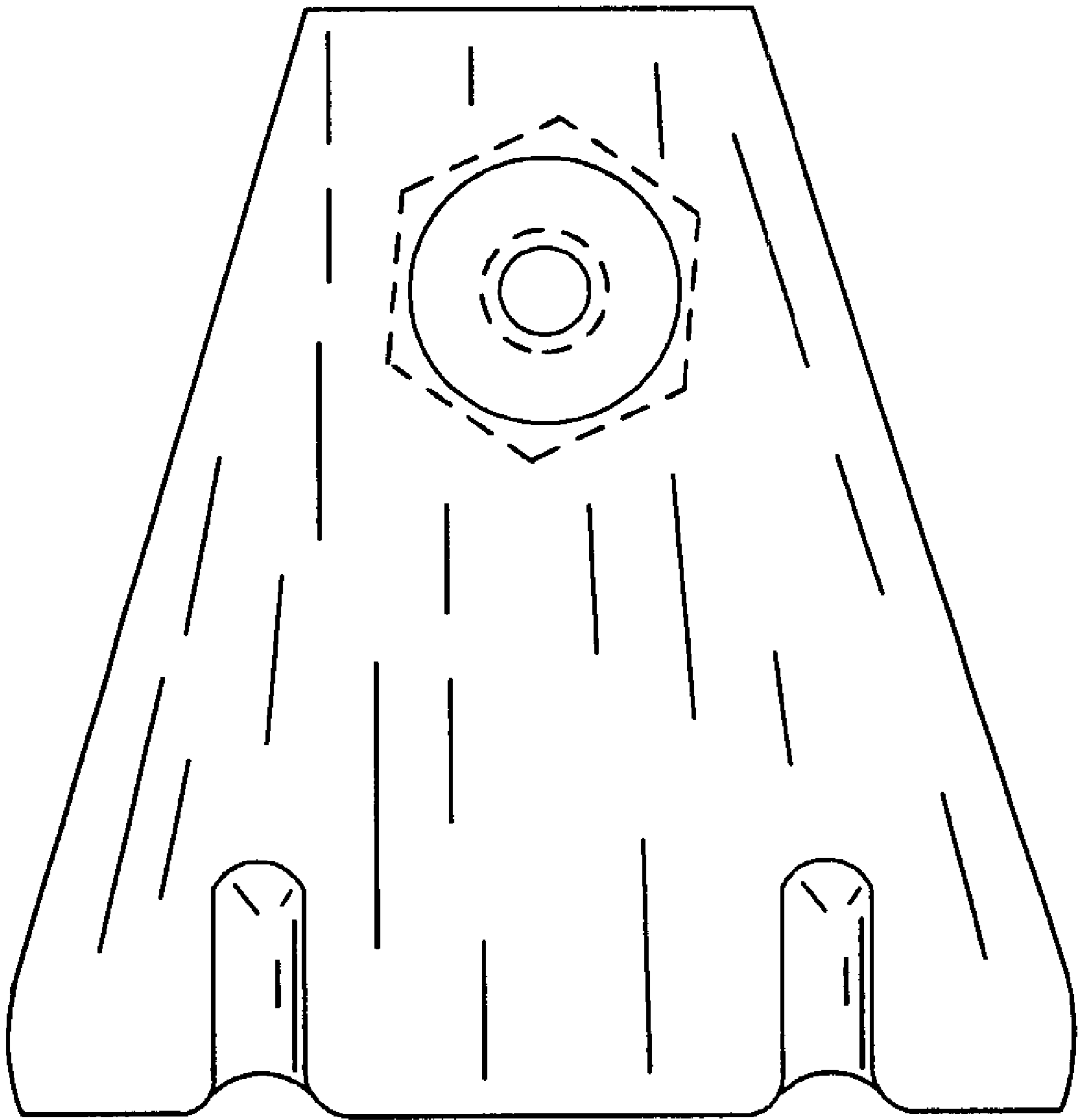


Fig. 7