



US00D484425S

(12) **United States Design Patent**
Settele

(10) **Patent No.:** **US D484,425 S**

(45) **Date of Patent:** **** Dec. 30, 2003**

(54) **MEASURING SPOON**

D156,850 S * 1/1950 Shirley D10/46.3
D214,439 S * 6/1969 Wormser D10/46.2

(75) Inventor: **Ignaz Settele**, Kaufbeuren (DE)

* cited by examiner

(73) Assignee: **Maxpat Trading & Marketing (Far East) Limited** (HK)

Primary Examiner—Terry A. Wallace
(74) *Attorney, Agent, or Firm*—Ostrolenk, Faber, Gerb & Soffen, LLP

(**) Term: **14 Years**

(21) Appl. No.: **29/178,510**

(57) **CLAIM**

(22) Filed: **Mar. 27, 2003**

The ornamental design for a measuring spoon, as shown and described.

Related U.S. Application Data

DESCRIPTION

(62) Division of application No. 29/165,125, filed on Aug. 5, 2002.

(51) **LOC (7) Cl.** **10-04**

(52) **U.S. Cl.** **D10/46.3**

(58) **Field of Search** D10/46.2, 46.3;
D7/688-692, 393, 395, 401.2, 643, 644,
653-664; 30/324-328; 73/426-429

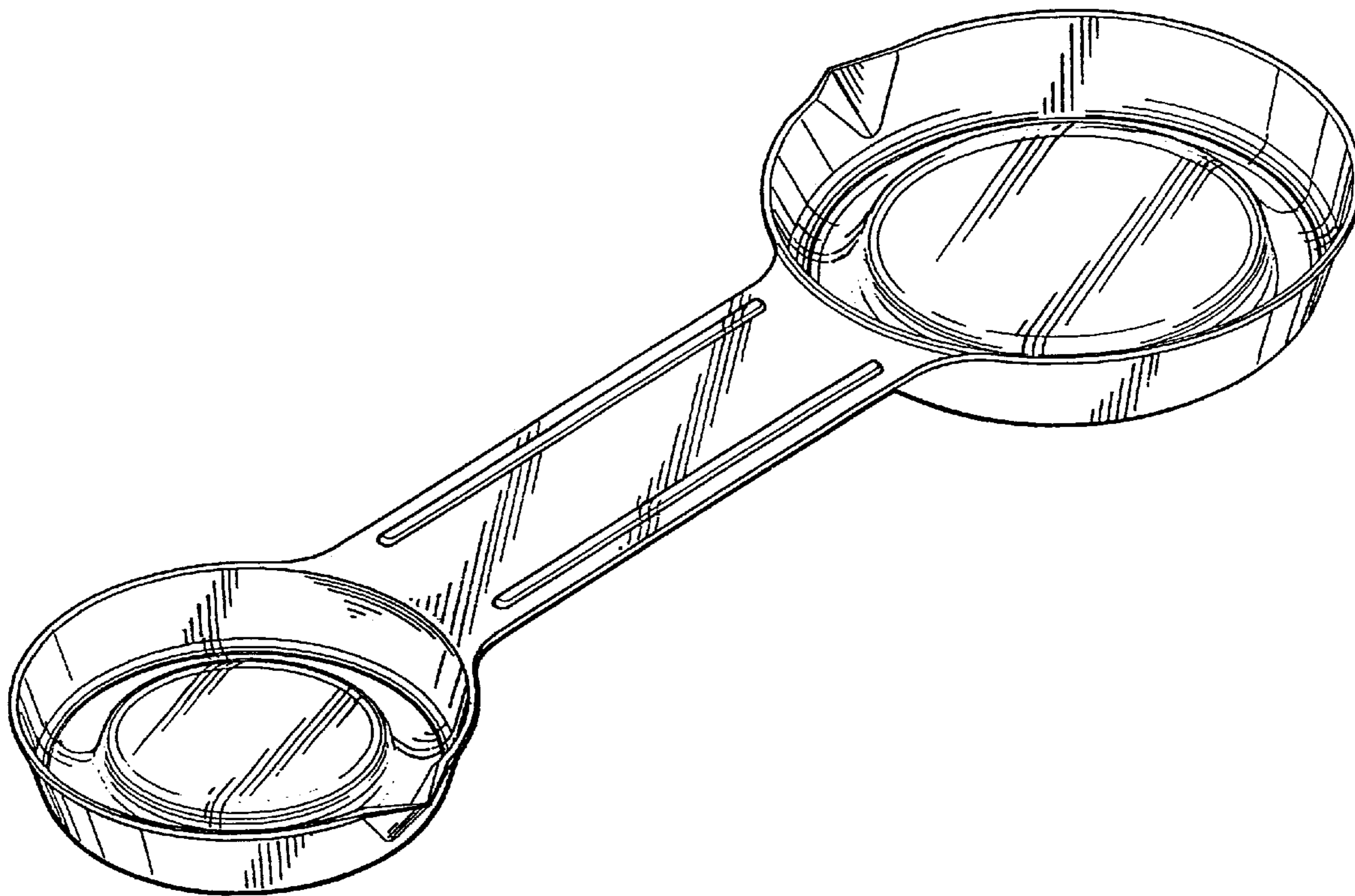
FIG. 1 is a front perspective view of a measuring spoon showing my new design;
FIG. 2 is a top plan view thereof;
FIG. 3 is a bottom plan view thereof;
FIG. 4 is a side view thereof;
FIG. 5 is another side view thereof;
FIG. 6 is a front elevational view thereof; and,
FIG. 7 is a rear elevational view thereof.

(56) **References Cited**

U.S. PATENT DOCUMENTS

D120,759 S * 5/1940 O'Bryon D10/46.3

1 Claim, 6 Drawing Sheets



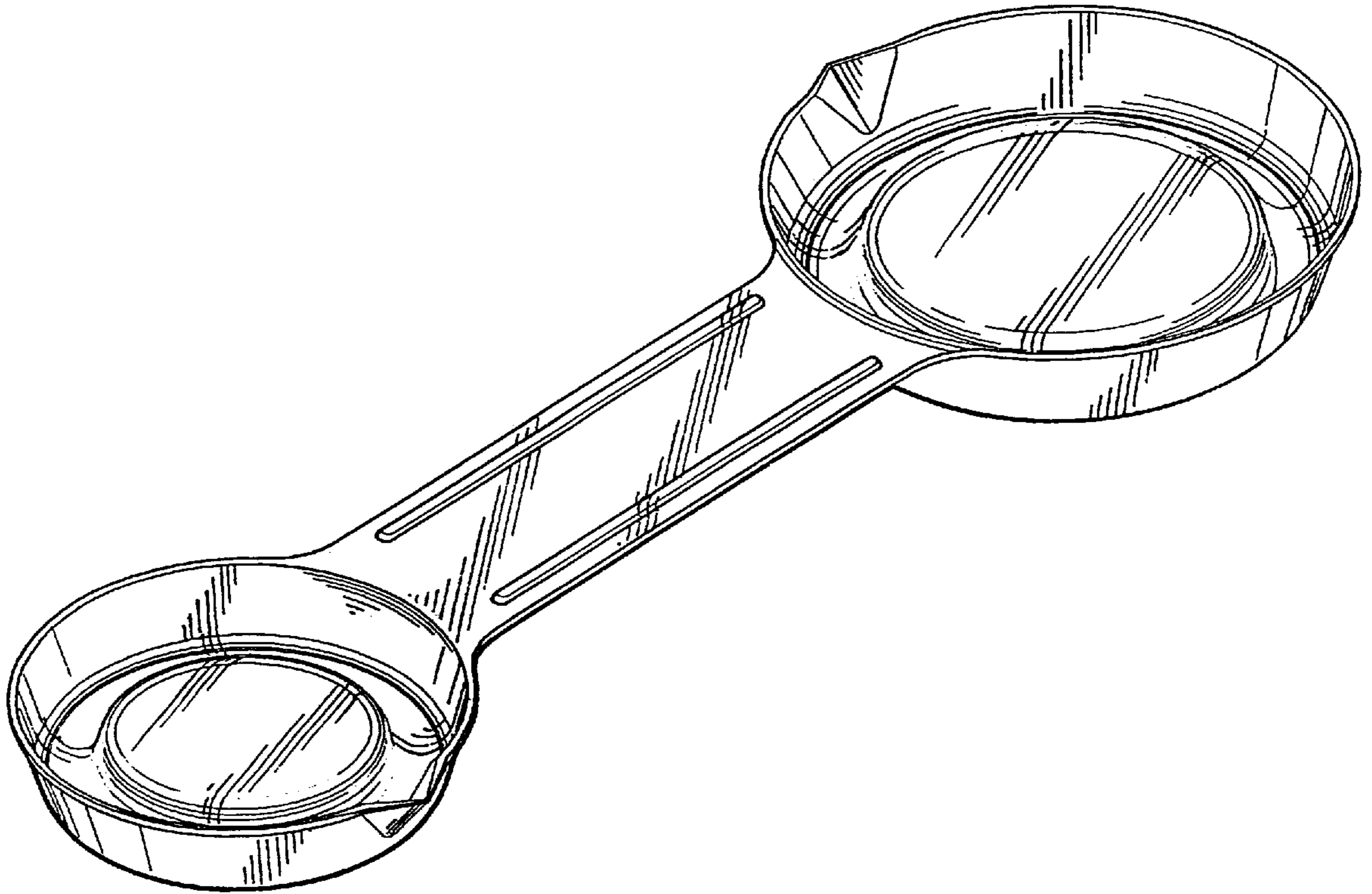


FIG. 1

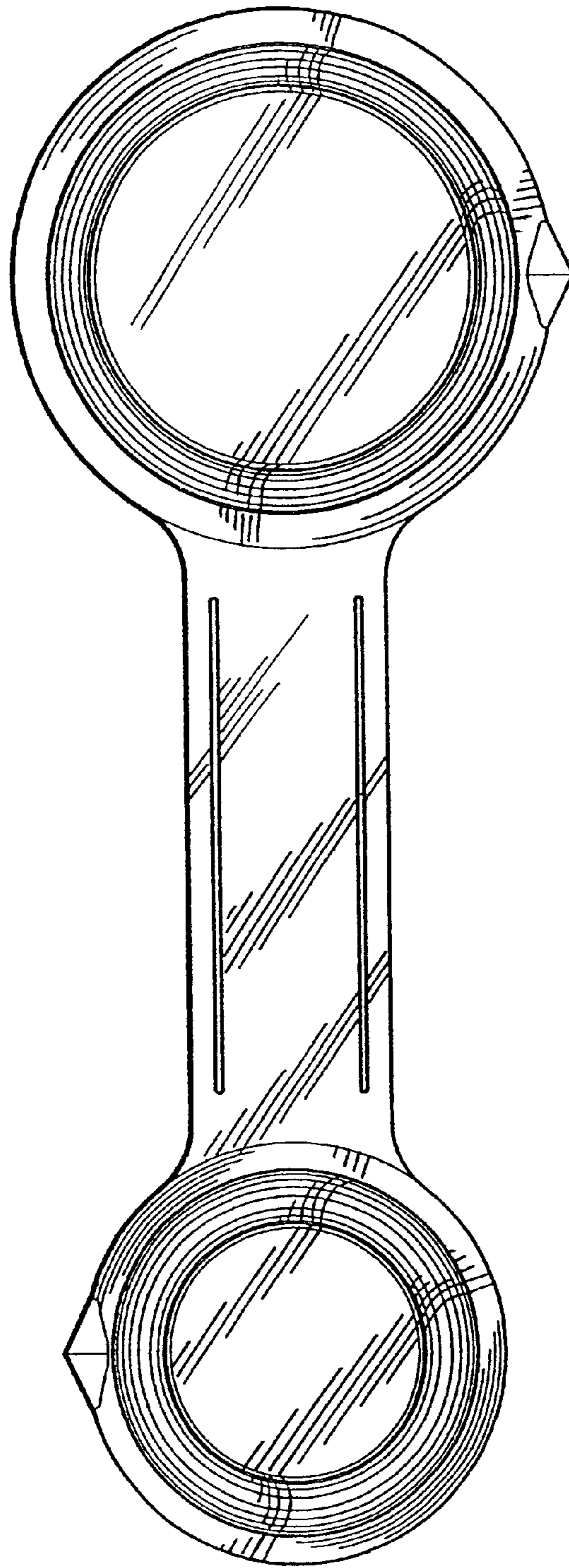


FIG. 2

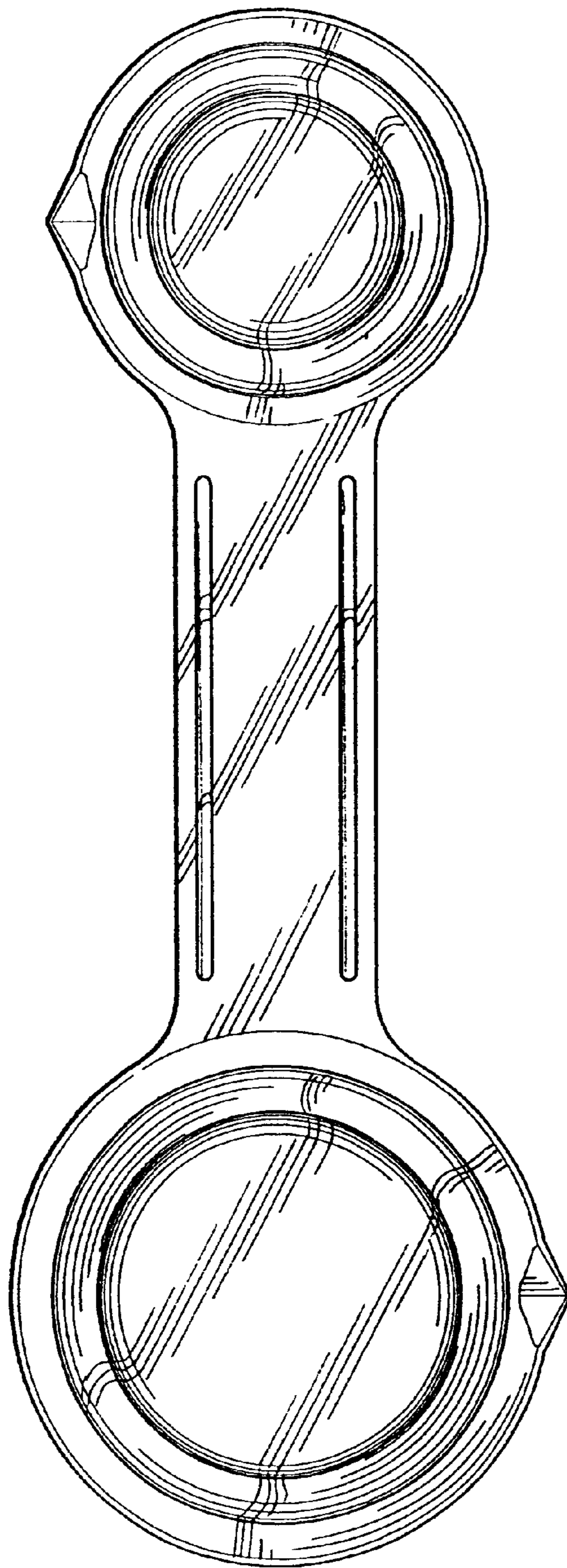


FIG. 3



FIG. 4



FIG. 5

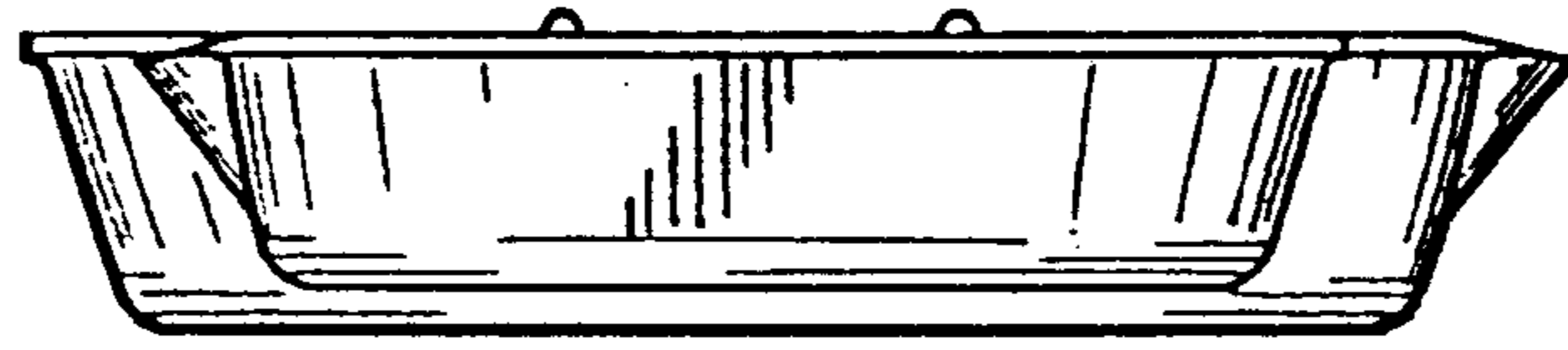


FIG. 6

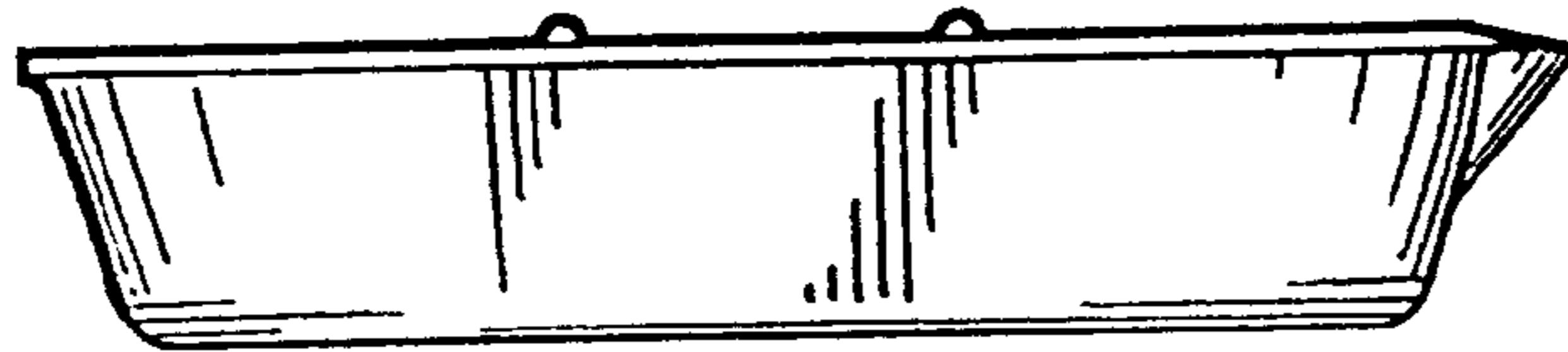


FIG. 7