



US00D484415S

(12) **United States Design Patent**  
**Hadtke et al.**

(10) **Patent No.:** **US D484,415 S**

(45) **Date of Patent:** **\*\* Dec. 30, 2003**

(54) **BOTTLE**

(75) Inventors: **Frederick B. Hadtke**, New Providence, NJ (US); **Kiat-Cheong Toh**, Brooklyn, NY (US)

(73) Assignee: **Reckitt Benckiser, Inc.**, Wayne, NJ (US)

(\*\*) Term: **14 Years**

(21) Appl. No.: **29/167,645**

(22) Filed: **Sep. 18, 2002**

(30) **Foreign Application Priority Data**

Mar. 18, 2002 (GB) ..... 3002255

(51) **LOC (7) Cl.** ..... **09-01**

(52) **U.S. Cl.** ..... **D9/502**

(58) **Field of Search** ..... D9/500-503, 516, D9/519, 530, 537, 538, 541, 545, 549, 559; 215/379-383, 400; 220/810

(56) **References Cited**

**U.S. PATENT DOCUMENTS**

D58,203 S	*	6/1921	Anderson	.....	D9/500
D308,335 S	*	6/1990	Rubinoff	.....	D9/557
D330,334 S	*	10/1992	Rusnock et al.	.....	D9/500
D363,026 S	*	10/1995	Sillince et al.	.....	D9/500
D434,661 S	*	12/2000	Zambrano V.	.....	D9/500
D450,243 S	*	11/2001	Toms et al.	.....	D9/502
D452,436 S	*	12/2001	Darr et al.	.....	D9/500
D472,811 S	*	4/2003	Deubel et al.	.....	D9/502
D476,571 S	*	7/2003	Lince	.....	D9/500

**OTHER PUBLICATIONS**

Modern Packaging July 1978. p. 30, bottle, left.\*  
Illinois Glass Company Illustrated Catalog, copyright 1901.  
Chartreuse bottle, center.\*

\* cited by examiner

*Primary Examiner*—Sandra L. Morris

(74) *Attorney, Agent, or Firm*—Akin Gump Strauss Hauer & Feld, L.L.P.

(57) **CLAIM**

The ornamental design for a bottle, as shown and described.

**DESCRIPTION**

FIG. 1 is a front perspective view of a first embodiment of a bottle in accordance with our new design;

FIG. 2 is a front elevational view thereof, the left side, right side and rear elevational views being the same due to symmetry of the bottle;

FIG. 3 is a top plan view thereof;

FIG. 4 is a bottom plan view thereof;

FIG. 5 is a front perspective view of a second embodiment of a bottle in accordance with our new design;

FIG. 6 is a front elevation view thereof, the left side, right side and rear elevational views being the same due to symmetry of the bottle;

FIG. 7 is a top plan view thereof;

FIG. 8 is a bottom plan view thereof;

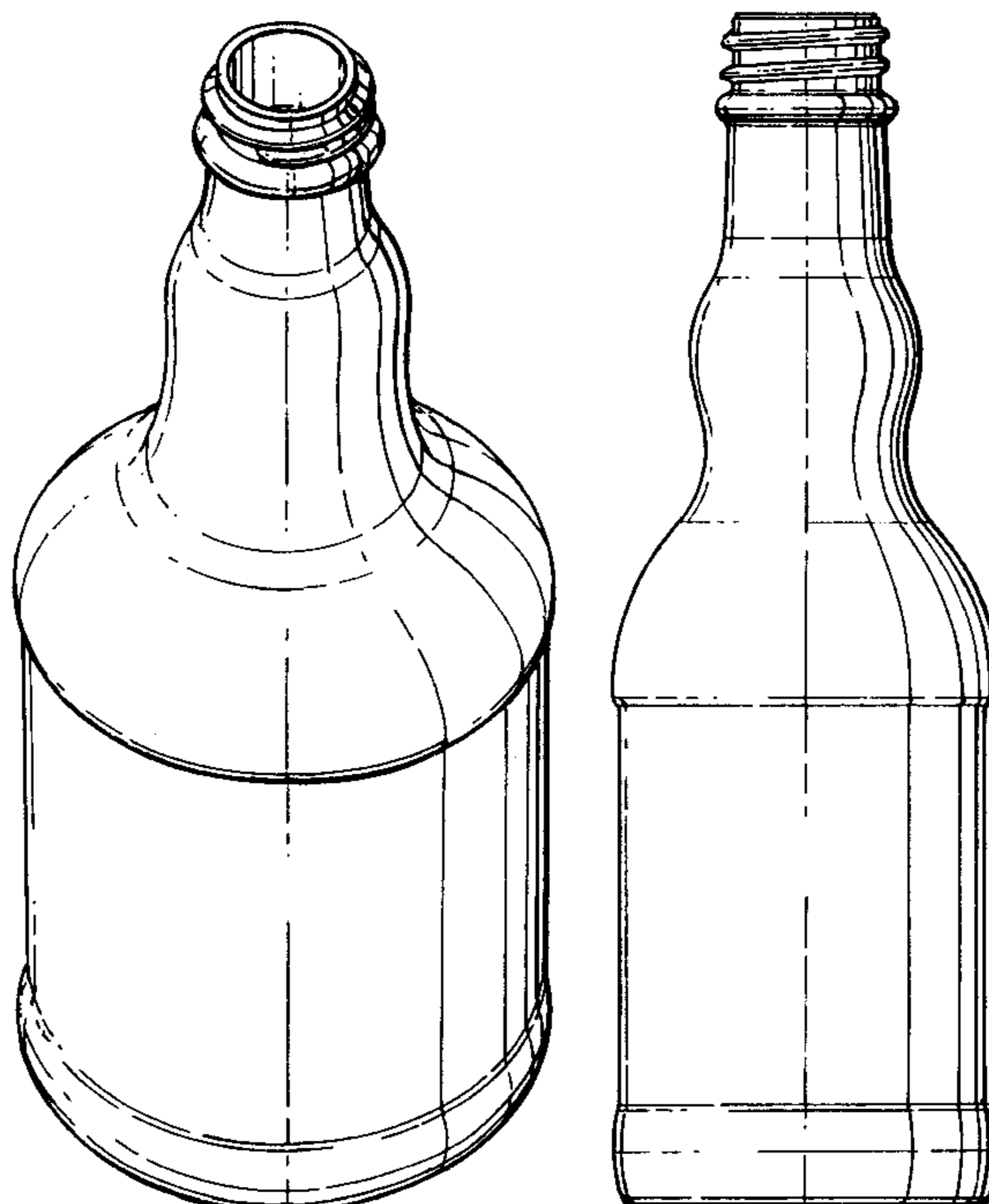
FIG. 9 is a front perspective view of a third embodiment of a bottle in accordance with our new design;

FIG. 10 is a front elevation view thereof, the left side, right side and rear elevational views being the same due to symmetry of the bottle;

FIG. 11 is a top plan view thereof; and,

FIG. 12 is a bottom plan view thereof.

**1 Claim, 3 Drawing Sheets**



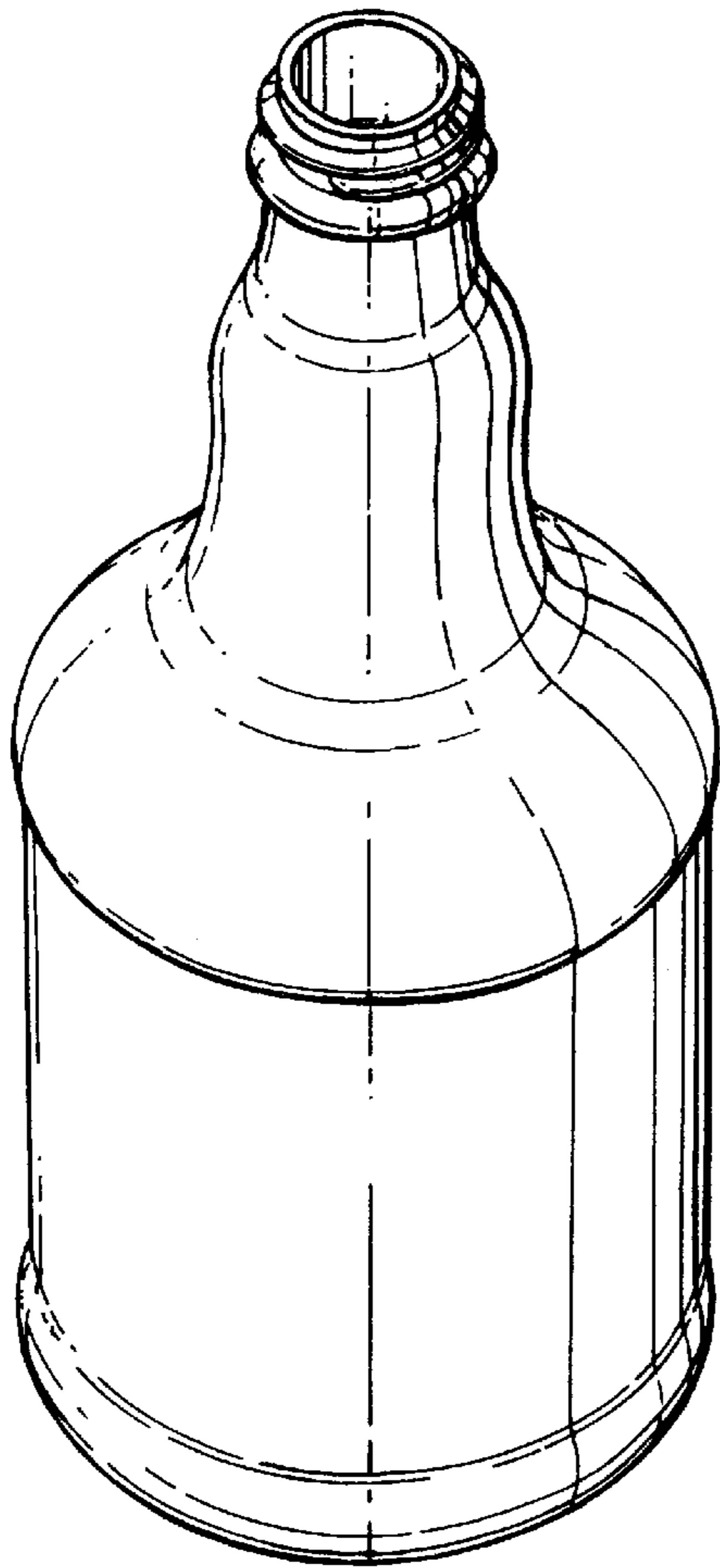


Fig. 1.

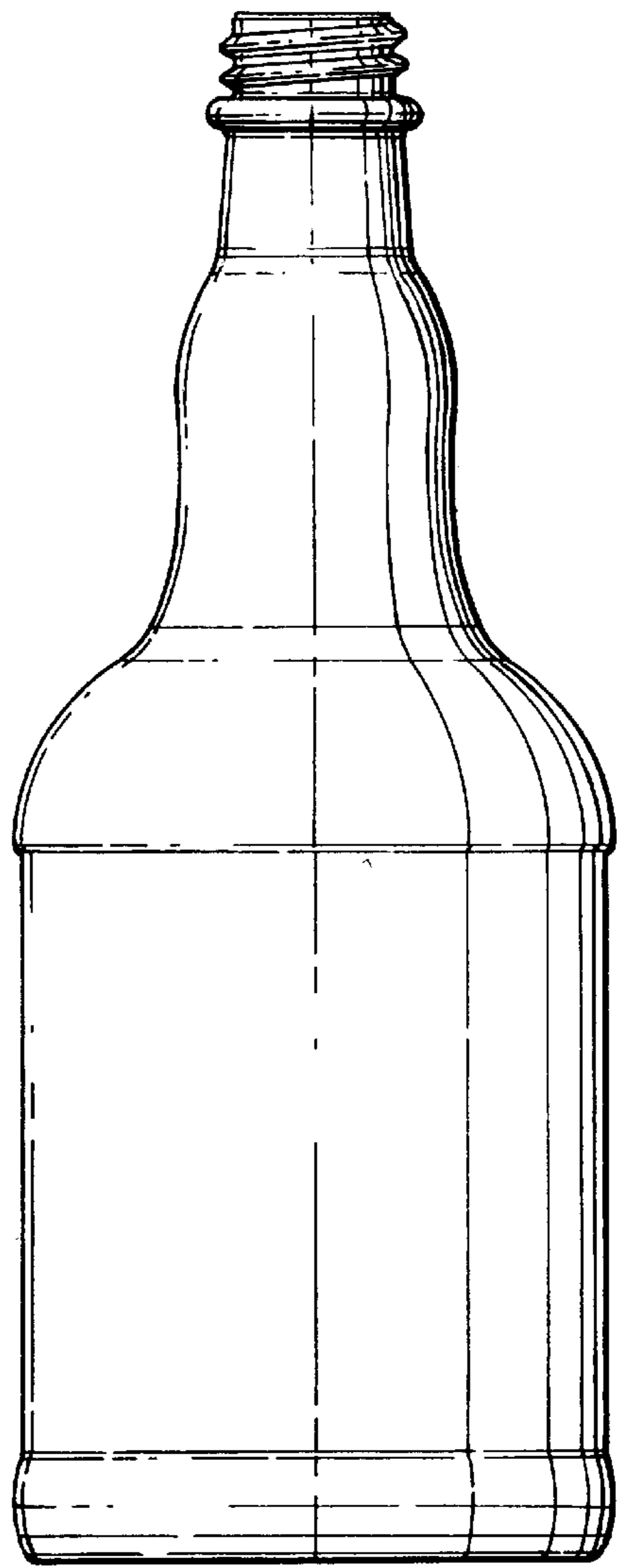


Fig. 2.

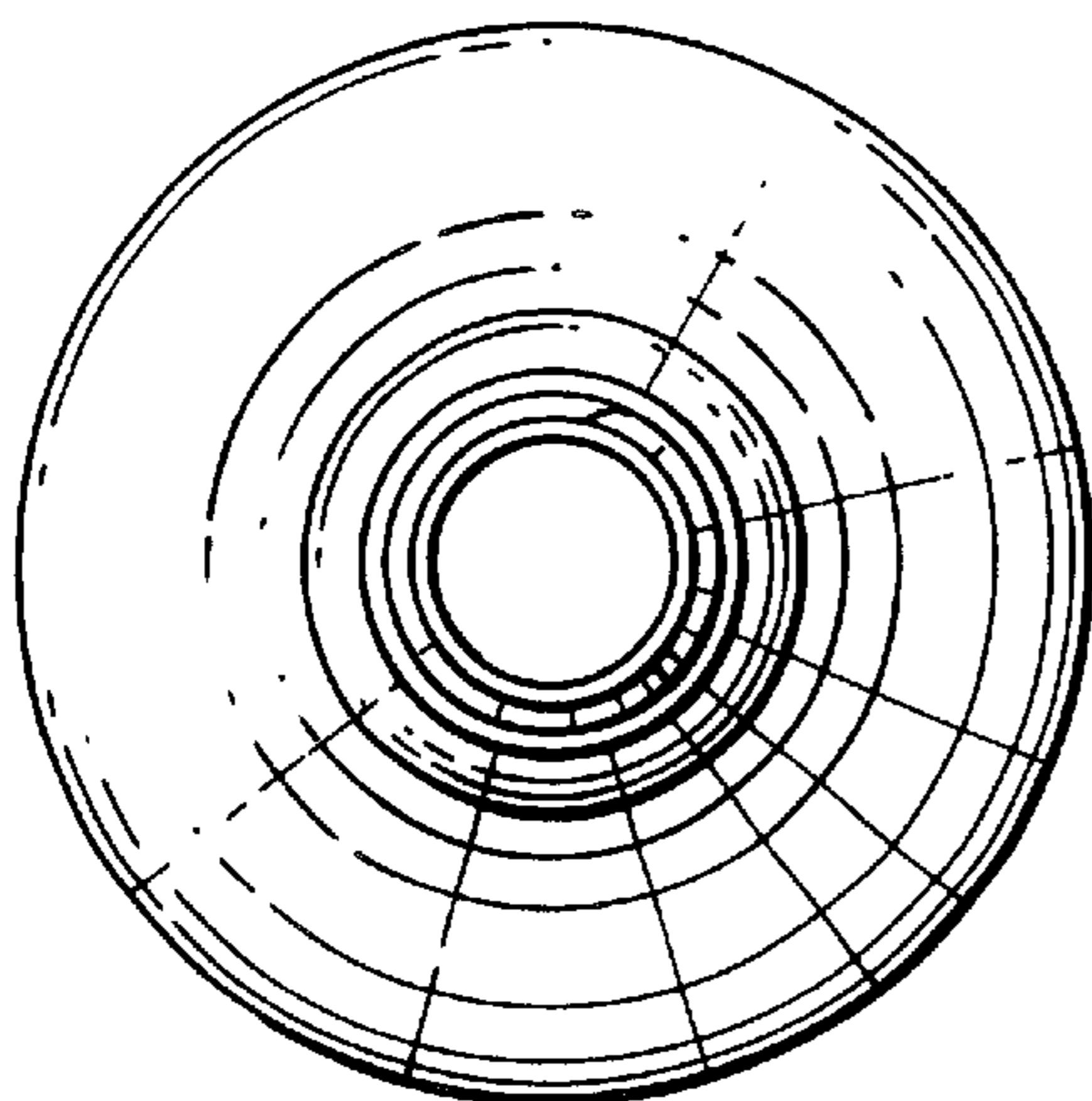


Fig. 3.

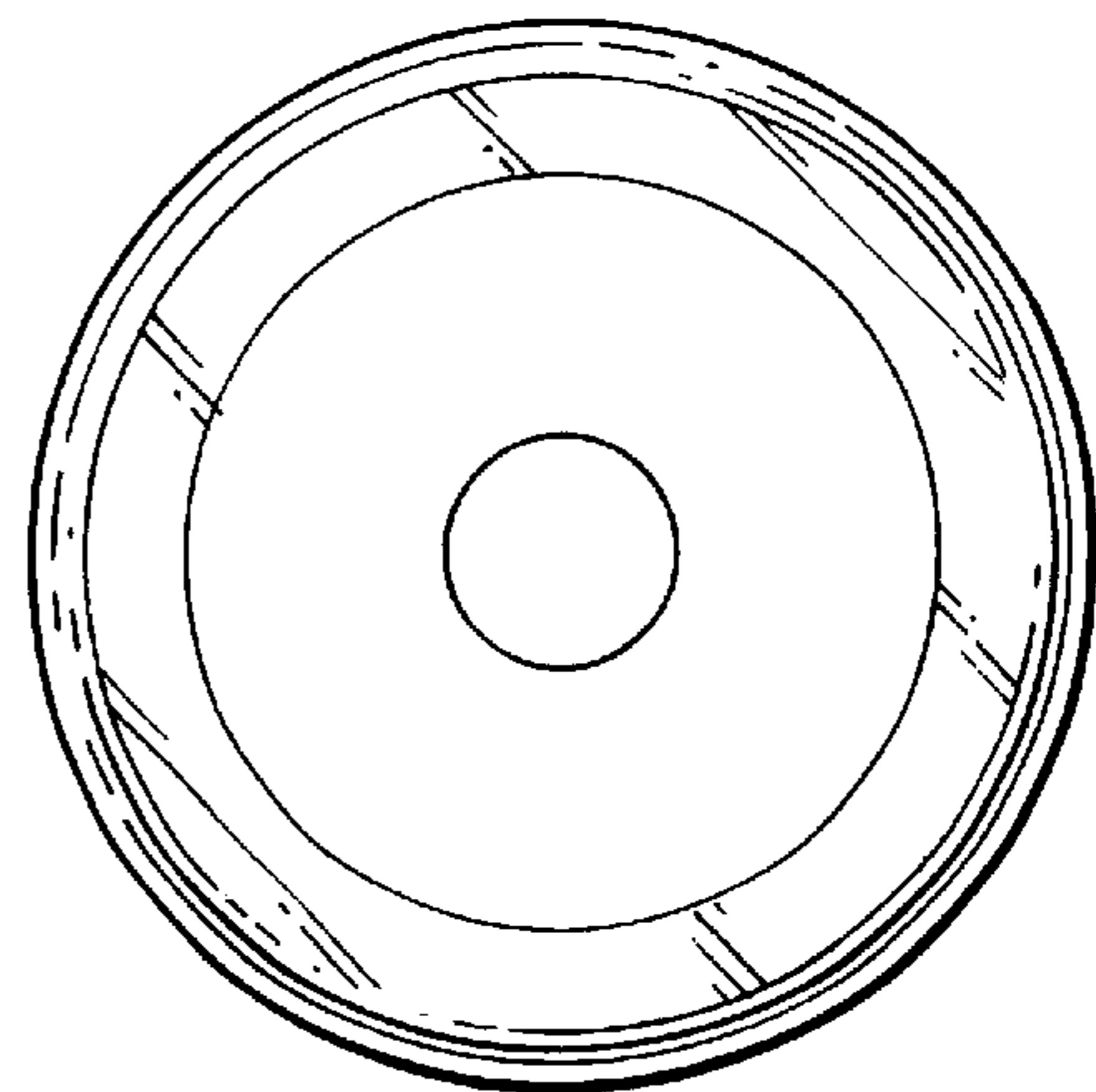


Fig. 4.

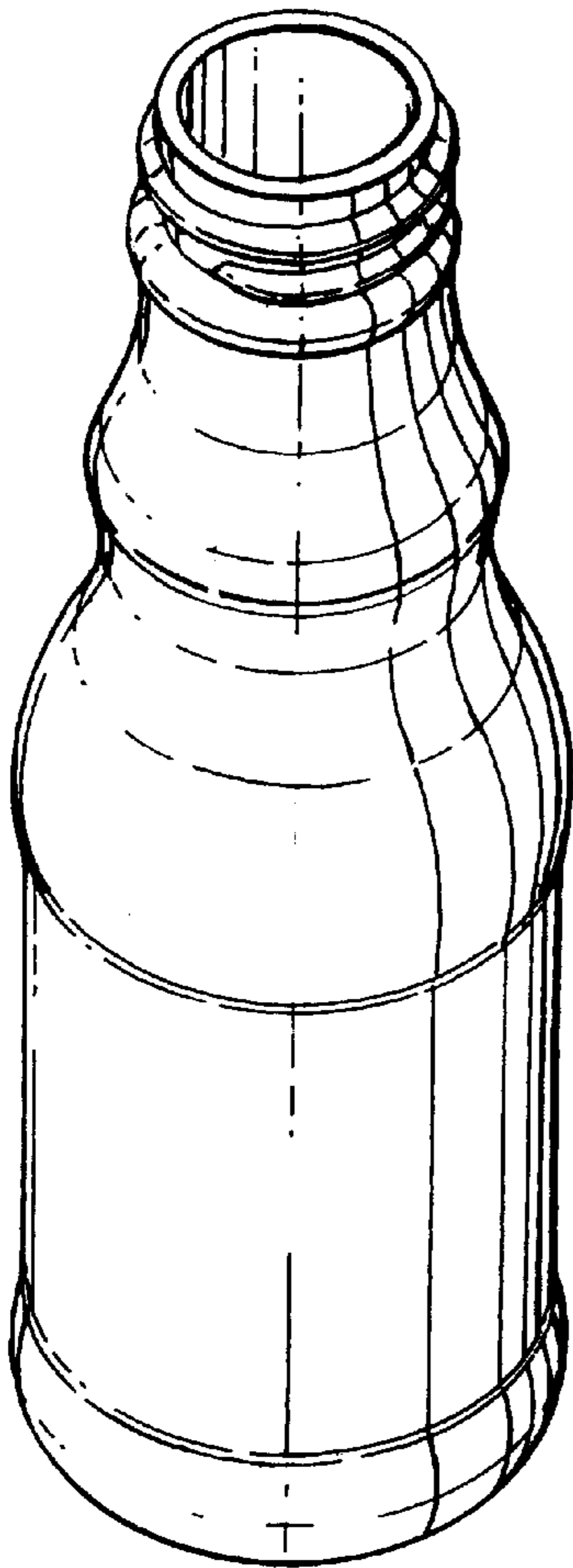


Fig.5.

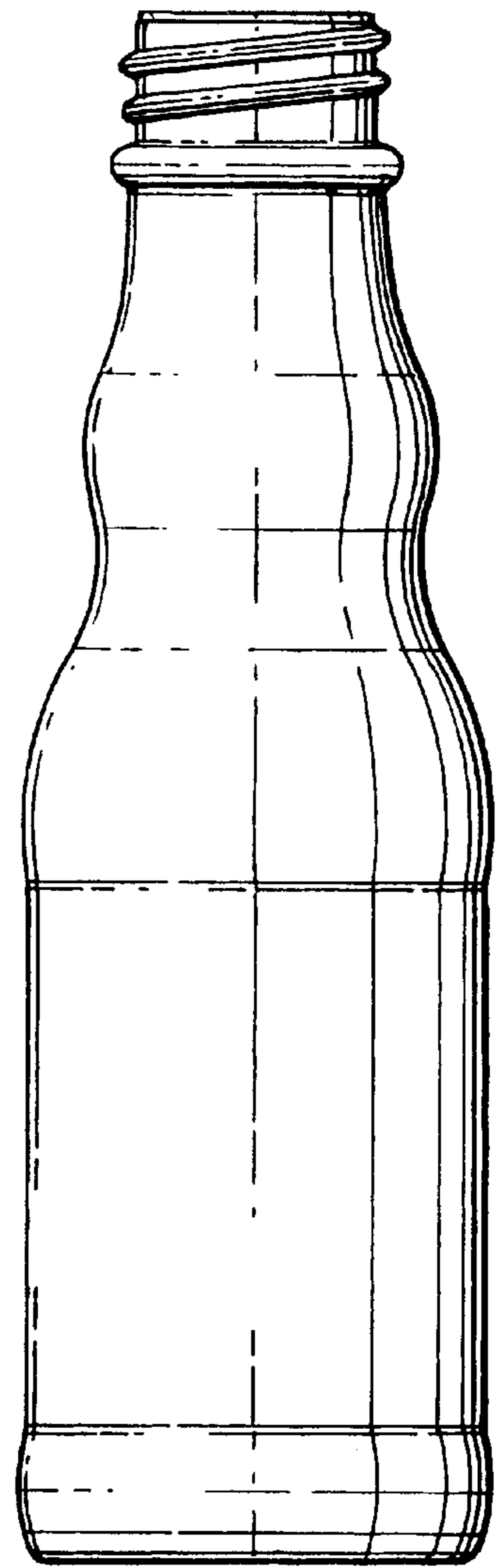


Fig.6.

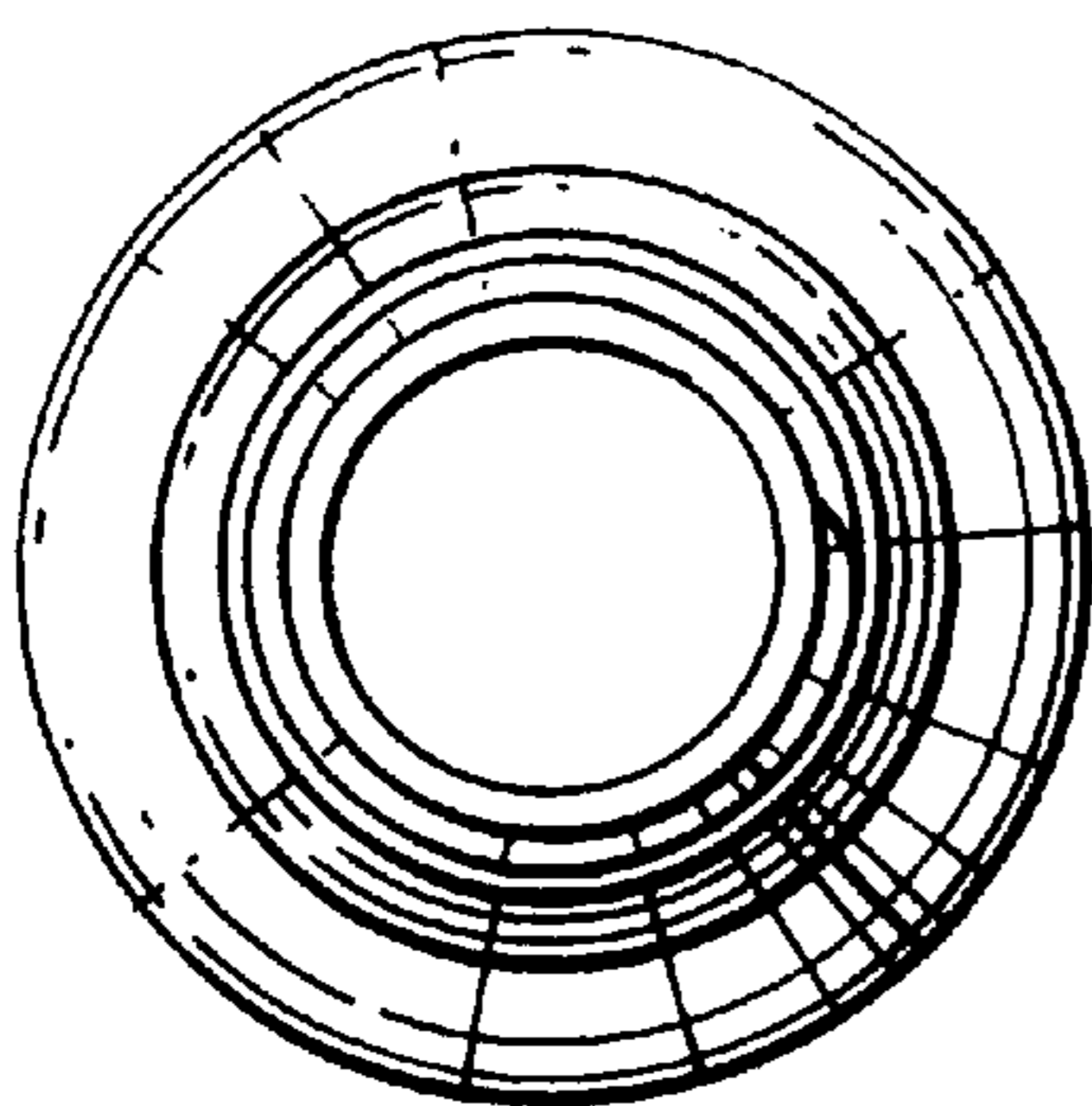


Fig.7.

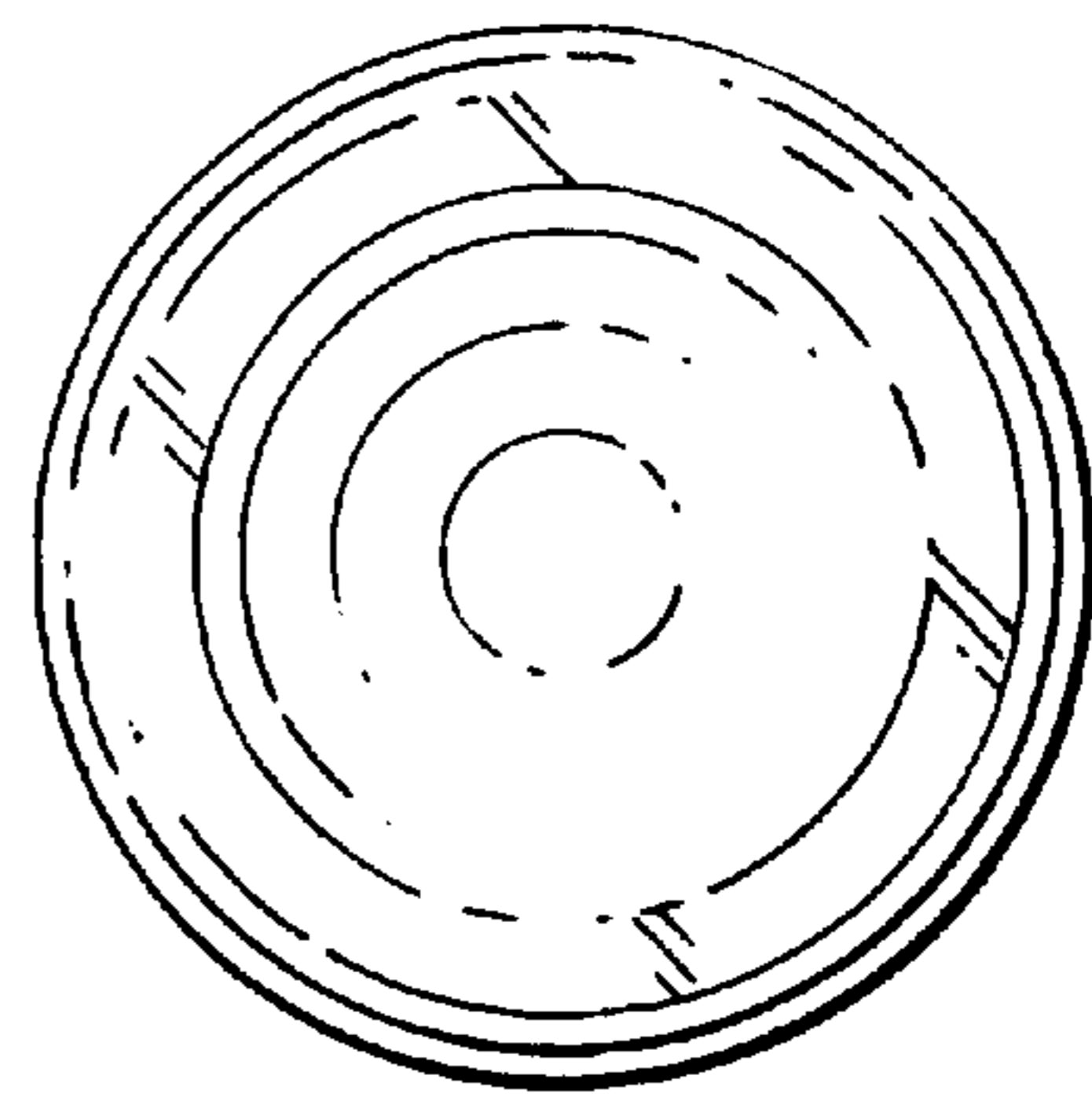


Fig.8.

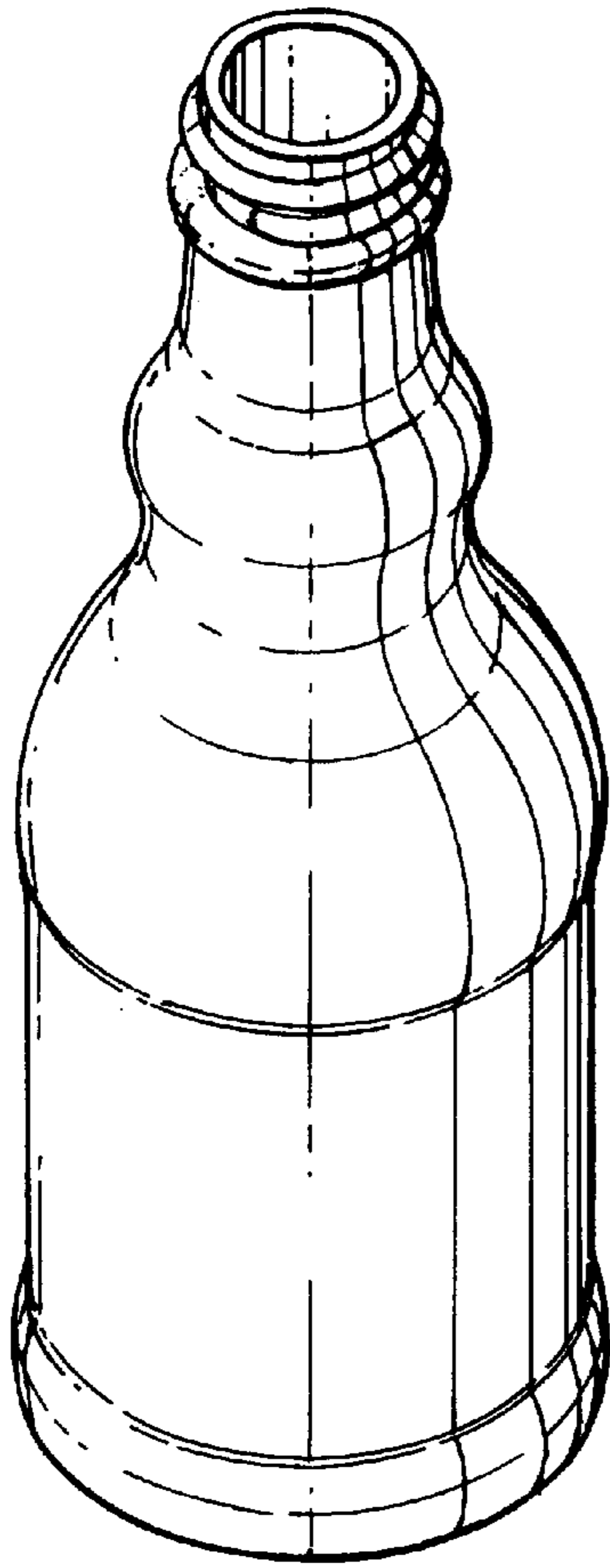


Fig.9.

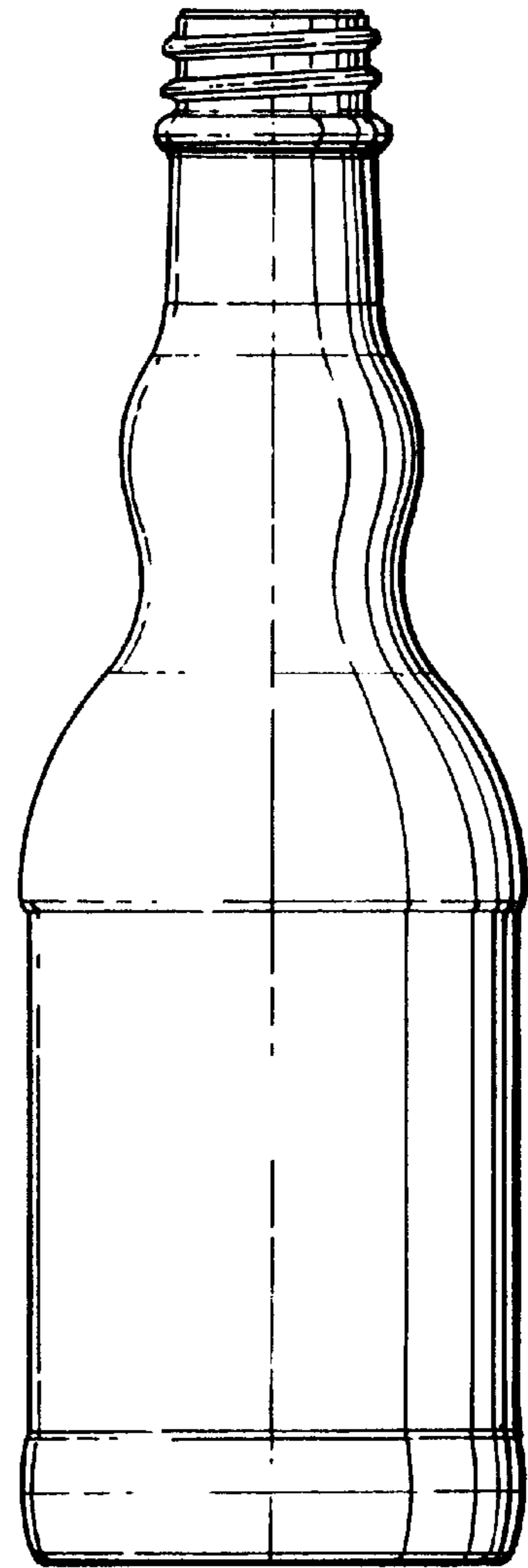


Fig.10.

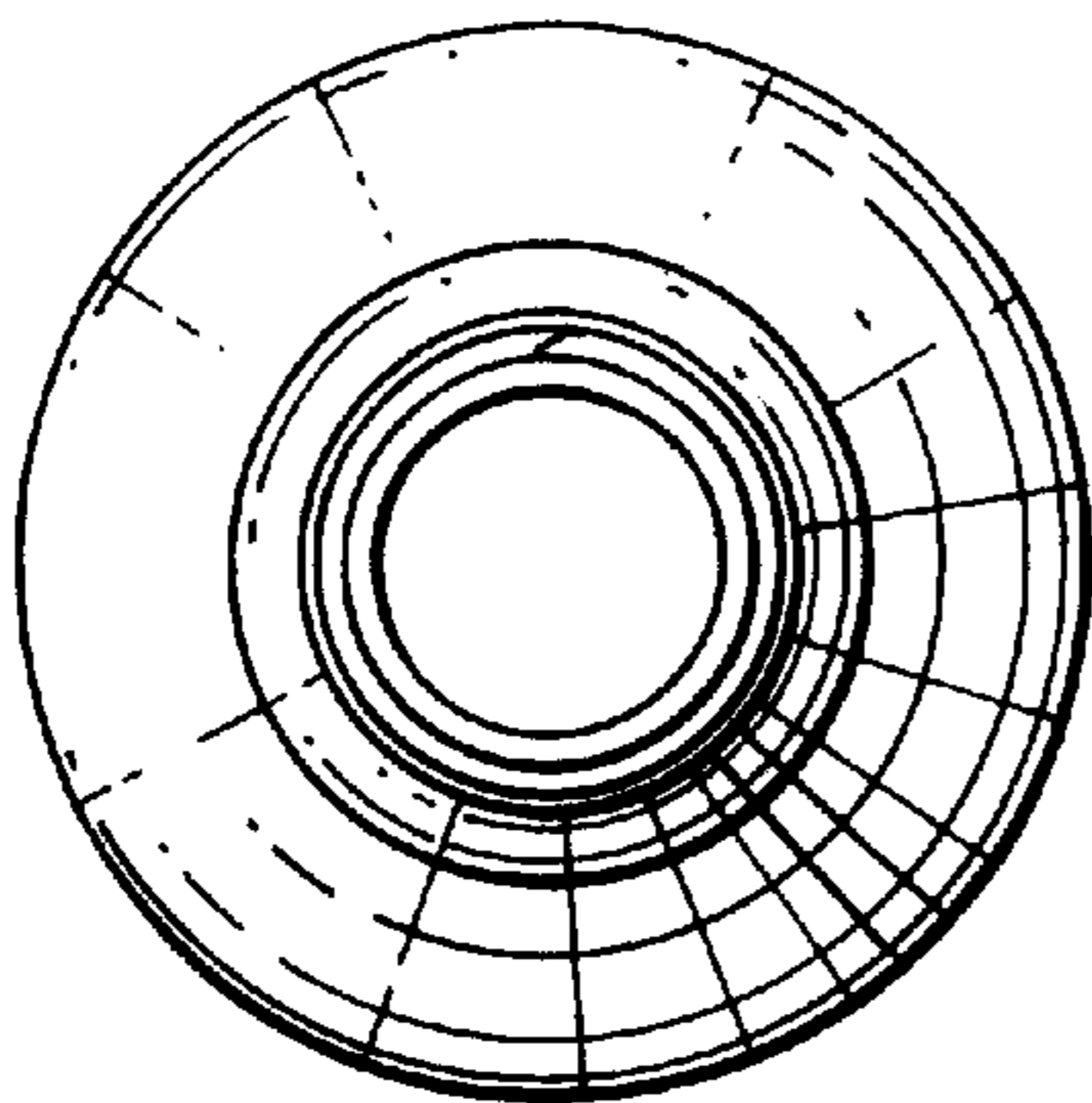


Fig.11.

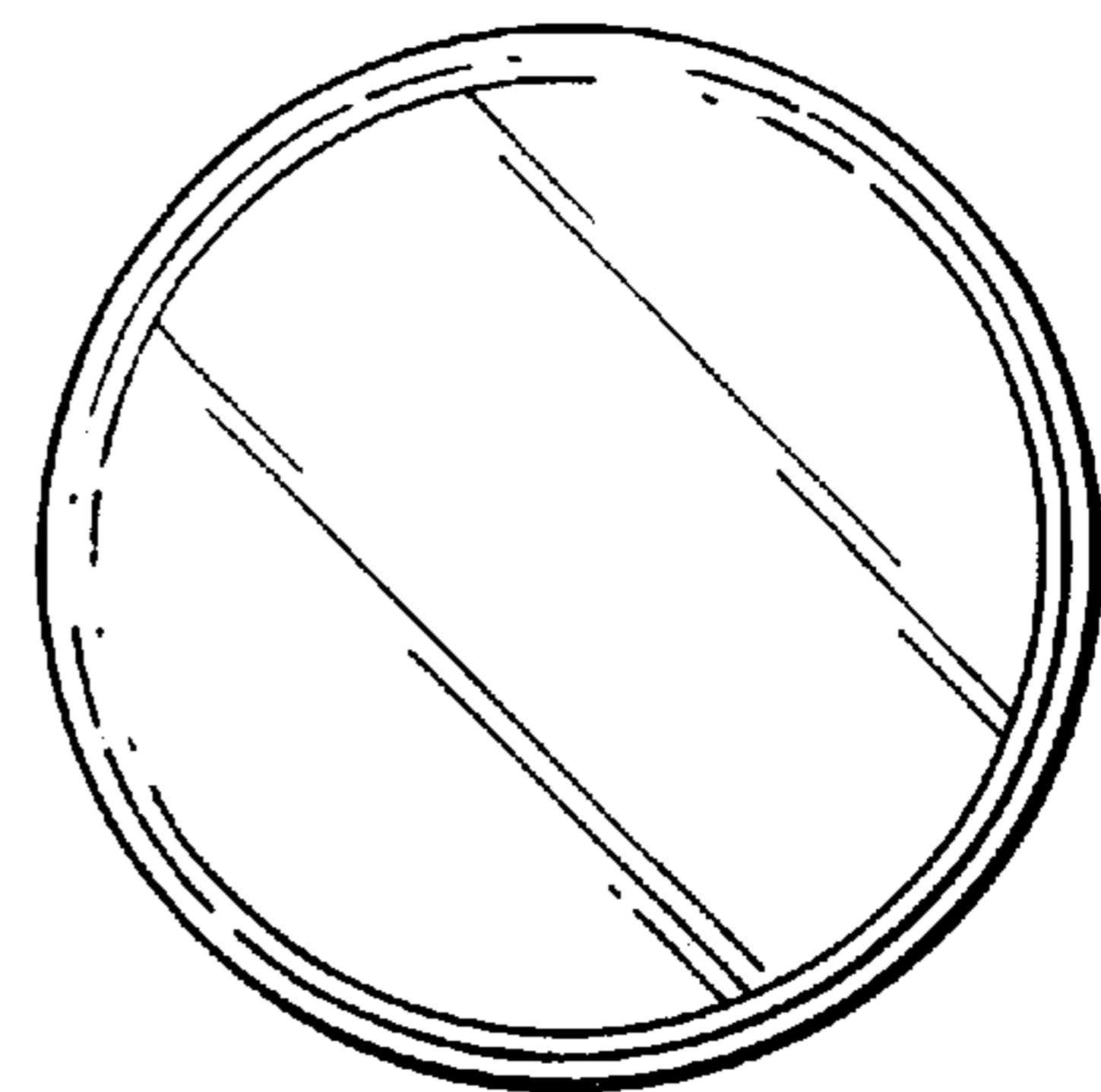


Fig.12.