



US00D484412S

(12) **United States Design Patent**  
**Willis**

(10) **Patent No.:** **US D484,412 S**

(45) **Date of Patent:** **\*\* Dec. 30, 2003**

(54) **LID FOR A BOWL**

(75) Inventor: **Donald M. Willis**, Chino Hills, CA  
(US)

(73) Assignee: **Pactiv Corporation**, Lake Forest, IL  
(US)

(\*\*) Term: **14 Years**

(21) Appl. No.: **29/171,587**

(22) Filed: **Nov. 25, 2002**

**Related U.S. Application Data**

(63) Continuation-in-part of application No. 29/170,596, filed on Nov. 8, 2002, and a continuation-in-part of application No. 29/170,691, filed on Nov. 13, 2002, and a continuation-in-part of application No. 29/170,597, filed on Nov. 8, 2002.

(51) **LOC (7) Cl.** ..... **09-03**

(52) **U.S. Cl.** ..... **D9/454; D7/392.1**

(58) **Field of Search** ..... D7/391-392.1,  
D7/538-542, 612-615, 629; D9/414, 424-429,  
435, 443, 454; 220/4.21, 780-806, 309.1,  
367.1, 376, 377; 206/457; 229/406, 902-906

(56) **References Cited**

**U.S. PATENT DOCUMENTS**

933,881 A	9/1909	Brown
D52,727 S	12/1918	Beiswanger
1,507,685 A	9/1924	Robinson
1,696,099 A	12/1928	Moore
1,974,898 A	9/1934	Rutledge
D108,209 S	2/1938	Kelly
2,170,040 A	8/1939	Stuart
2,179,188 A	11/1939	Kitselman
2,283,704 A	5/1942	Studel
2,550,815 A	5/1951	Inwood
2,811,152 A	10/1957	Wicks
3,037,677 A	6/1962	Debs
D195,699 S	7/1963	Bostrom
3,099,377 A	7/1963	Metzler et al.
D197,310 S	1/1964	Butzko
3,229,886 A	1/1966	Grogel

3,474,929 A	10/1969	Harker	
3,598,278 A	8/1971	Vann, Jr.	220/85 R
3,625,305 A	12/1971	Mueller et al.	182/46
3,737,068 A	6/1973	Bird	220/60
3,794,090 A	2/1974	Commisso	150/0.05
D235,302 S	6/1975	Lanigan	
D237,689 S	11/1975	Davis	D9/7
D242,972 S	1/1977	Day	D7/24
D243,428 S	2/1977	Thrush	D7/5
D243,429 S	2/1977	Thrush	D7/5
D243,430 S	2/1977	Thrush	D7/5
D244,246 S	5/1977	Daenen	D7/17
D244,338 S	5/1977	Yauger	D7/23
D244,415 S	5/1977	Daenen	D7/23
D244,573 S	6/1977	Thrush	D7/5
D244,742 S	6/1977	Daenen	D7/17

(List continued on next page.)

**FOREIGN PATENT DOCUMENTS**

WO 98/32665 7/1998

**OTHER PUBLICATIONS**

Roseware™ Bakery Collection Product Information (undated); 4 pages.

Roseware™ Juice Catcher Collection (undated); 2 pages.

Dynamic Packaging Inc. Product Information from website (2000); 3 pages.

*Primary Examiner*—Terry A. Wallace

(74) *Attorney, Agent, or Firm*—Jenkins & Gilchrist

(57) **CLAIM**

The ornamental design for a lid for a bowl, as shown.

**DESCRIPTION**

FIG. 1 is a perspective view of a lid for a bowl.

FIG. 2 is a top view of a lid for a bowl.

FIG. 3 is a bottom view of a lid for a bowl.

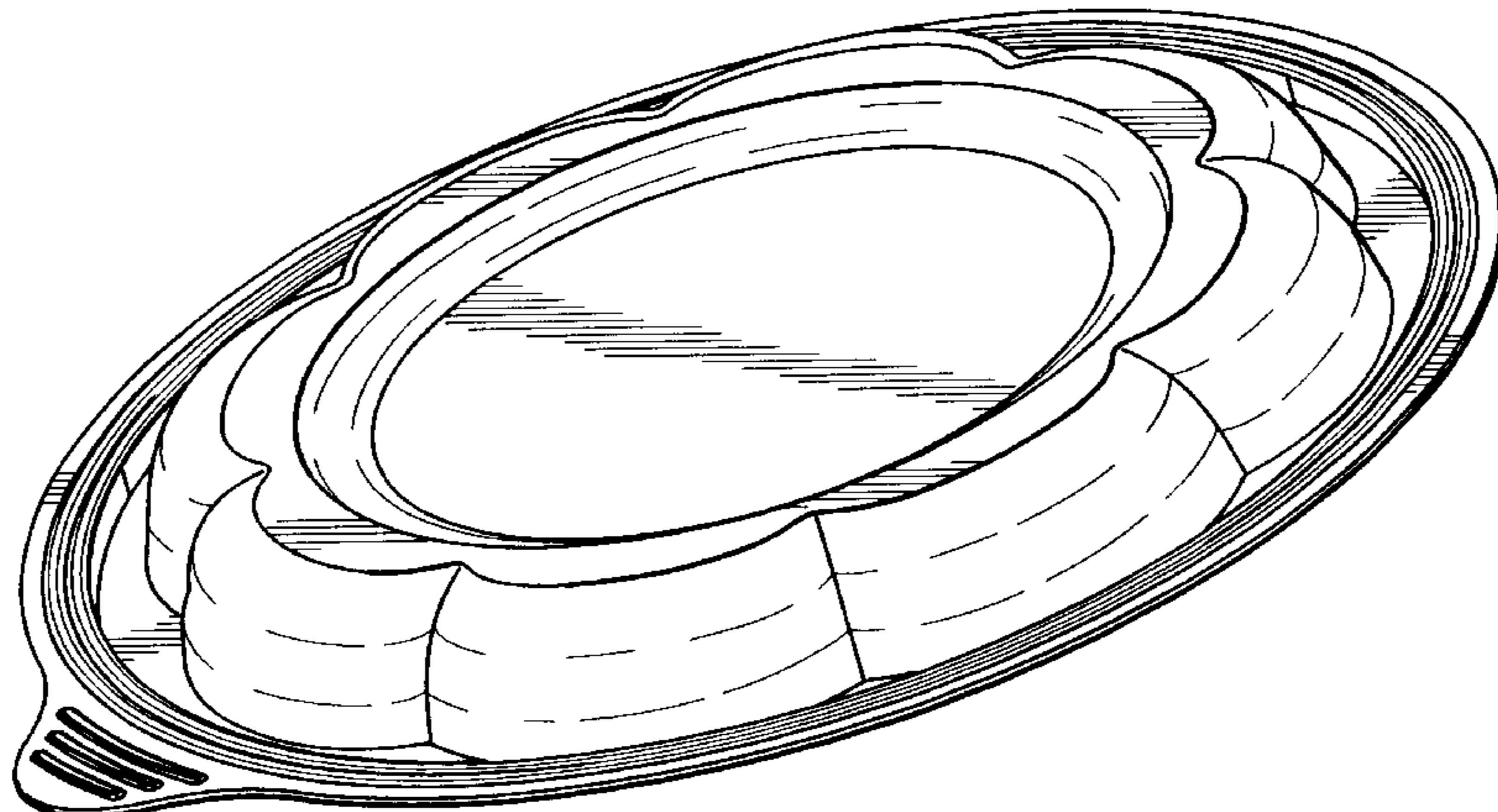
FIG. 4 is a front-side view of a lid for a bowl.

FIG. 5 is a back-side view of a lid for a bowl.

FIG. 6 is a left-side view of a lid for a bowl; and,

FIG. 7 is a right-side view of a lid for a bowl.

**1 Claim, 3 Drawing Sheets**



# US D484,412 S

Page 2

## U.S. PATENT DOCUMENTS

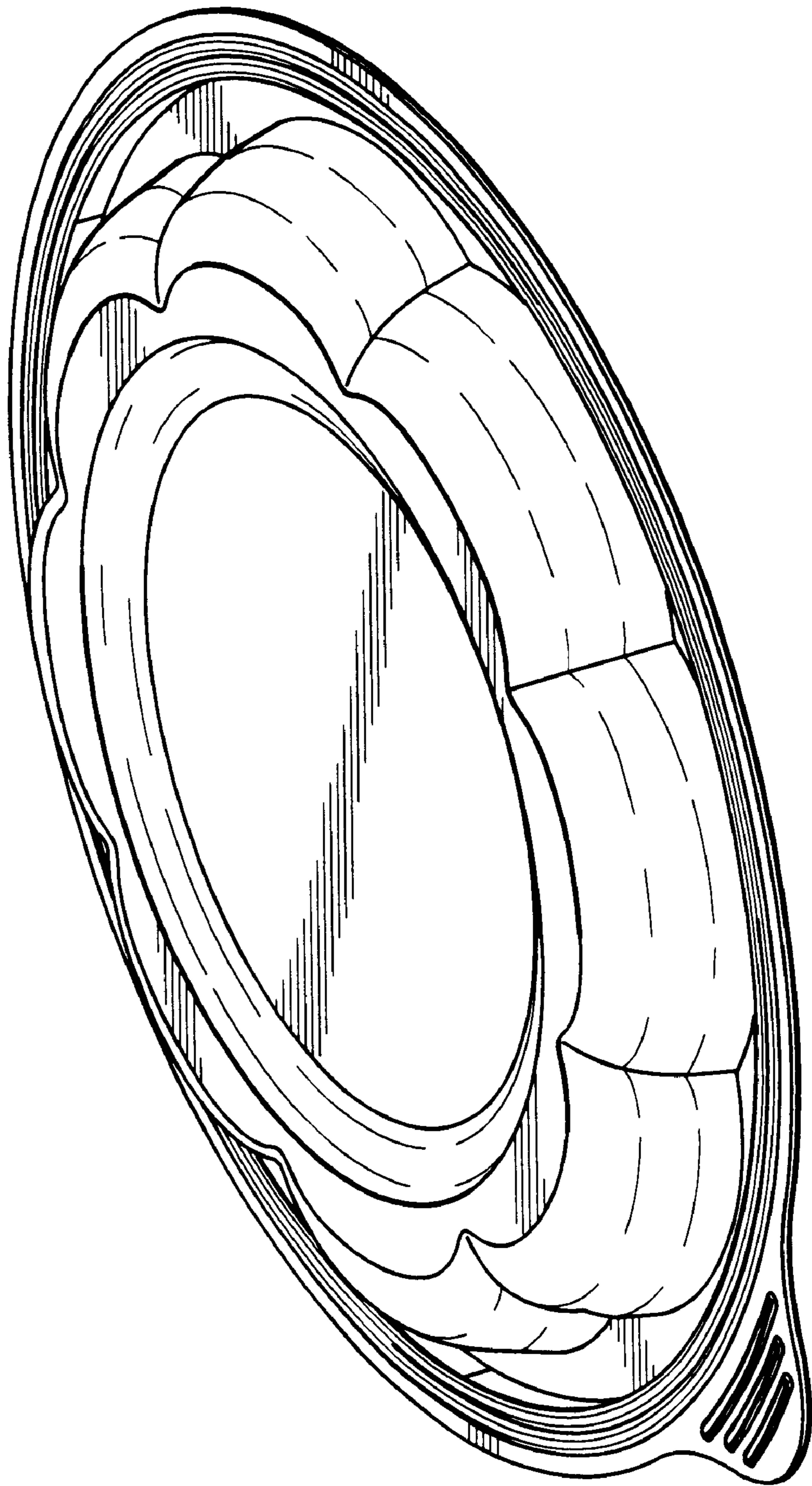
D246,026 S	10/1977	Stahel	D7/130	4,974,738 A	12/1990	Kidd et al.	220/4 E
D248,006 S	5/1978	Christian	D7/23	D313,728 S	1/1991	Oropeza	D7/556
D248,076 S	6/1978	Christian	D7/20	5,011,006 A	4/1991	Anderson	206/45.18
D248,359 S	7/1978	Meyer	D7/22	5,046,659 A	9/1991	Warburton	229/2.5
D249,234 S	9/1978	Limon et al.	D9/219	D320,532 S	10/1991	Zielinski et al.	D7/560
D249,439 S	9/1978	Benes et al.	D7/17	D320,533 S	10/1991	Zielinski et al.	D7/560
D250,382 S	11/1978	Benes et al.	D7/28	D320,534 S	10/1991	Finney et al.	D7/560
D250,929 S	1/1979	Gerstman et al.	D7/28	D322,737 S	12/1991	Unger	D7/545
D250,930 S	1/1979	Franklin	D7/36	D323,097 S	1/1992	Picozza	D7/542
D251,713 S	5/1979	Brody	D7/28	D324,324 S	3/1992	Picozza	D7/565
4,157,762 A	6/1979	Robinson	220/1 R	D325,492 S	4/1992	Fabricius	D7/540
D253,272 S	10/1979	Ottier	D7/97	D328,705 S	8/1992	Krupa	D9/420
4,197,940 A	4/1980	DeRossett	206/46.32	D329,198 S	9/1992	Krupa	D9/423
4,202,464 A	5/1980	Mohs et al.	220/339	D329,572 S	9/1992	Krupa	D7/542
D255,199 S	6/1980	Gruber	D7/4	5,169,023 A	12/1992	Heiberg et al.	220/574
4,219,119 A	8/1980	Zefran	206/457	D332,892 S	2/1993	Sun	D7/540
D257,654 S	12/1980	Campana et al.	D7/1	D335,085 S	4/1993	Wacker	D9/504
D259,009 S	4/1981	Connolly et al.	D7/17	5,220,999 A	6/1993	Goulette	206/45.23
D263,668 S	4/1982	Knutson	D7/29	D337,696 S	7/1993	Sun	D7/538
D266,818 S	11/1982	Trombly	D7/40	D338,375 S	8/1993	Andress	D7/565
4,362,252 A	12/1982	Graff	220/270	5,266,763 A	11/1993	Columbo	219/10.55
4,375,862 A	3/1983	Kurinsky et al.	220/293	5,269,430 A	12/1993	Schlaupitz et al.	220/4.23
D270,698 S	9/1983	Husted	D7/22	D343,576 S	1/1994	Krupa	D9/423
D271,378 S	11/1983	Sun	D9/424	D344,210 S	2/1994	Cousins et al.	D7/538
D271,651 S	12/1983	Knutson	D7/29	D344,211 S	2/1994	Froger	D7/565
D271,835 S	12/1983	Knutson	D7/29	D344,660 S	3/1994	Krupa	D7/629
D272,030 S	1/1984	Sleith	D7/28	D344,875 S	3/1994	Pomroy et al.	D7/552
D275,255 S	8/1984	Durand	D7/28	D345,894 S	4/1994	Krupa	D7/552
D275,636 S	9/1984	Picozza	D7/40	D345,912 S	4/1994	Krupa	D9/429
D275,922 S	10/1984	Weil	D7/1	D349,005 S	7/1994	Cousins et al.	D7/543
4,491,225 A	1/1985	Baillod	206/583	D349,213 S	8/1994	Cousins et al.	D7/543
D278,588 S	4/1985	Knutson	D7/29	D351,968 S	11/1994	Zivin	D7/564
D279,445 S	7/1985	Jagger	D7/22	D351,999 S	11/1994	Krupa	D9/423
D279,532 S	7/1985	Pozzi	D7/21	D352,207 S	11/1994	Jaworski	D7/585
4,535,889 A	8/1985	Terauds	206/527	D353,230 S	12/1994	Reusche et al.	D30/123
D280,482 S	9/1985	Knutson	D7/29	D353,518 S	12/1994	Cantereels et al.	D7/560
D280,590 S	9/1985	Schrage	D7/360	D353,519 S	12/1994	Wolfenden	D7/584
D280,688 S	9/1985	Laslo	D7/5	5,375,701 A	12/1994	Hustad et al.	206/45.18
D280,689 S	9/1985	Knutson	D7/29	D354,436 S	1/1995	Krupa	D9/423
D281,661 S	12/1985	Unger	D7/28	D354,884 S	1/1995	Carranza	D7/564
D283,193 S	4/1986	Daenen	D7/317	5,390,816 A	2/1995	Boyd	220/574
D283,388 S	4/1986	Durand	D7/28	D356,010 S	3/1995	McEntee	D7/557
D284,160 S	6/1986	Durand	D7/360	D358,091 S	5/1995	Warburton	D9/429
D285,405 S	9/1986	Grange	D7/412	5,413,239 A	5/1995	Rider, Jr.	220/339
D286,249 S	10/1986	Carlson	D7/23	5,423,453 A	6/1995	Fritz	220/608
D286,726 S	11/1986	Daenen et al.	D7/23	5,425,467 A	6/1995	Feer et al.	220/281
D286,844 S	11/1986	Daenen et al.	D7/23	D360,112 S	7/1995	McEntee	D7/584
D288,050 S	2/1987	Fox et al.	D7/20	D361,696 S	8/1995	Wolfenden	D7/584
D290,327 S	6/1987	Durand	D7/28	5,441,166 A	8/1995	Lucas, Jr. et al.	220/306
D292,159 S	10/1987	Thrush	D7/40	D363,879 S	11/1995	Krupa et al.	D9/423
4,705,163 A	11/1987	James	206/45.32	D364,090 S	11/1995	Krupa	D9/429
D293,292 S	12/1987	Finsliver et al.	D7/16	D364,998 S	12/1995	Held	D7/545
4,742,934 A	5/1988	Michaud et al.	220/306	5,497,894 A	3/1996	Krupa et al.	220/4.23
4,753,351 A	6/1988	Guillin	206/520	D369,278 S	4/1996	Scialpi et al.	D7/579
D296,640 S	7/1988	Miller	D7/20	5,515,993 A	5/1996	McManus	220/339
D298,001 S	10/1988	Perry	D7/21	D371,721 S	7/1996	Redmond et al.	D7/565
D304,121 S	10/1989	Gabayno	D34/42	D371,940 S	7/1996	Krupa	D7/549
D304,275 S	10/1989	Kiefer	D7/23	D371,964 S	7/1996	Krupa	D9/429
D304,317 S	10/1989	Wagner	D11/153	D373,050 S	8/1996	Brewer et al.	D7/505
D304,909 S	12/1989	Natori	D9/423	5,542,565 A	8/1996	Hidalgo-Lopez	220/574
D305,592 S	1/1990	Harris et al.	D7/5	D374,820 S	10/1996	Knoss et al.	D9/429
D307,395 S	4/1990	Borst	D9/428	D375,683 S	11/1996	Schoff	D9/429
4,930,627 A	6/1990	Borst et al.	206/45.23	D376,314 S	12/1996	Krupa	D9/425
4,947,993 A	8/1990	Bruml et al.	206/551	D376,954 S	12/1996	Burns et al.	D7/560
D310,768 S	9/1990	Levine	D7/543	D376,960 S	12/1996	Ferris	D7/629
4,961,494 A	10/1990	Alexander	206/45.2	D377,450 S	1/1997	Krupa et al.	D9/425
4,962,849 A	10/1990	Anderson	206/45.24	D378,192 S	2/1997	Krupa et al.	D9/425
D312,024 S	11/1990	Antoni et al.	D7/545	D378,886 S	4/1997	Joyce	D7/585
D312,025 S	11/1990	Antoni et al.	D7/552	D380,381 S	7/1997	Krupa et al.	D9/425
D313,148 S	12/1990	de Winter	D7/318	D381,563 S	7/1997	Longstreth	D7/610
				D382,796 S	8/1997	Mangla	D9/429

# US D484,412 S

Page 3

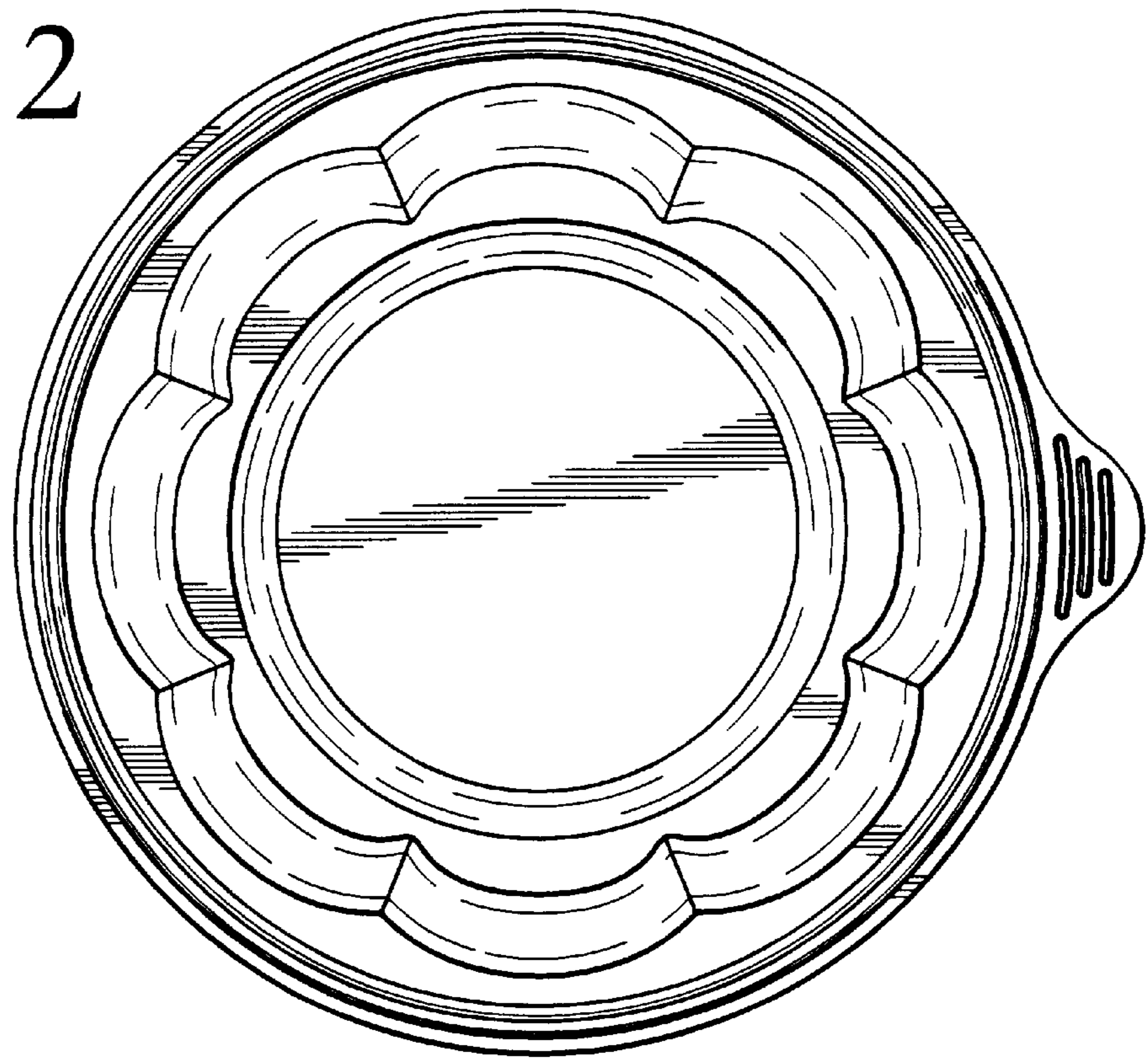
---

5,657,873 A	8/1997	Hustad et al. ....	206/764	D415,385 S	10/1999	Loew et al. ....	D7/392.1
5,657,874 A	8/1997	Hustad et al. ....	206/764	D415,657 S	10/1999	Cornelissen ....	D7/566
D383,646 S	9/1997	Jeppesen et al. ....	D7/584	D415,933 S	11/1999	Cornelissen ....	D7/587
D384,551 S	10/1997	Ahern, Jr. ....	D7/392.1	D416,760 S	11/1999	Horvat ....	D7/558
D384,554 S	10/1997	Ancona et al. ....	D7/505	D417,817 S	12/1999	Loew et al. ....	D7/392.1
D385,461 S	10/1997	Cousins ....	D7/538	D419,382 S	1/2000	Horvat ....	D7/558
5,695,798 A	12/1997	Rozzano ....	426/115	D420,857 S	2/2000	Loew et al. ....	D7/558
D389,056 S	1/1998	Hayes et al. ....	D9/435	D421,549 S	3/2000	Hints ....	D7/555
D391,118 S	2/1998	Jørgensen ....	D7/586	D422,843 S	4/2000	Rashid ....	D7/555
D391,850 S	3/1998	Krupa et al. ....	D9/429	D423,880 S	5/2000	Rashid ....	D7/545
D392,159 S	3/1998	Longstreth ....	D7/610	D426,427 S	6/2000	Rubbright et al. ....	D7/565
D392,881 S	3/1998	Bulcher et al. ....	D9/425	6,073,795 A	6/2000	Longstreth ....	220/574
5,730,313 A	3/1998	Hayes et al. ....	220/526	D429,961 S	8/2000	Harris ....	D7/540
D401,475 S	11/1998	Ritchey ....	D7/543	D431,419 S	10/2000	Greene ....	D7/538
D402,506 S	12/1998	Chilewich ....	D7/558	D432,360 S	10/2000	Greene ....	D7/543
D402,507 S	12/1998	Chilewich ....	D7/358	D432,362 S	10/2000	Fait ....	D7/562
D402,511 S	12/1998	Chilewich ....	D7/584	D433,600 S	11/2000	Hollinger ....	D7/565
D402,852 S	12/1998	Benson ....	D7/545	D434,604 S	12/2000	Littlejohn et al. ....	D7/545
D404,258 S	1/1999	Indekeu ....	D7/585	D434,945 S	12/2000	Godwin ....	D7/546
D404,614 S	1/1999	Indekeu ....	D7/588	D440,829 S	4/2001	Brown ....	D7/629
D406,986 S	3/1999	Lewis ....	D7/558	D445,310 S	7/2001	Brown ....	D7/629
D407,266 S	3/1999	Silva ....	D7/392.1	D447,910 S	9/2001	Brown ....	D7/396.1
D411,078 S	6/1999	Cornelissen ....	D7/586	D449,522 S	10/2001	Brown ....	D9/425
D411,288 S	6/1999	Cuttriss ....	D23/284	D450,537 S	11/2001	Hayes ....	D7/538
D413,230 S	8/1999	Horvat ....	D7/558	D457,037 S	5/2002	Hayes ....	D7/584
D413,489 S	9/1999	Miller ....	D7/602	D457,781 S	5/2002	Brown ....	D7/396.1
D414,657 S	10/1999	Sgro ....	D7/564	D461,678 S	8/2002	Hayes ....	D7/392.1
D415,025 S	10/1999	McCann ....	D9/429				

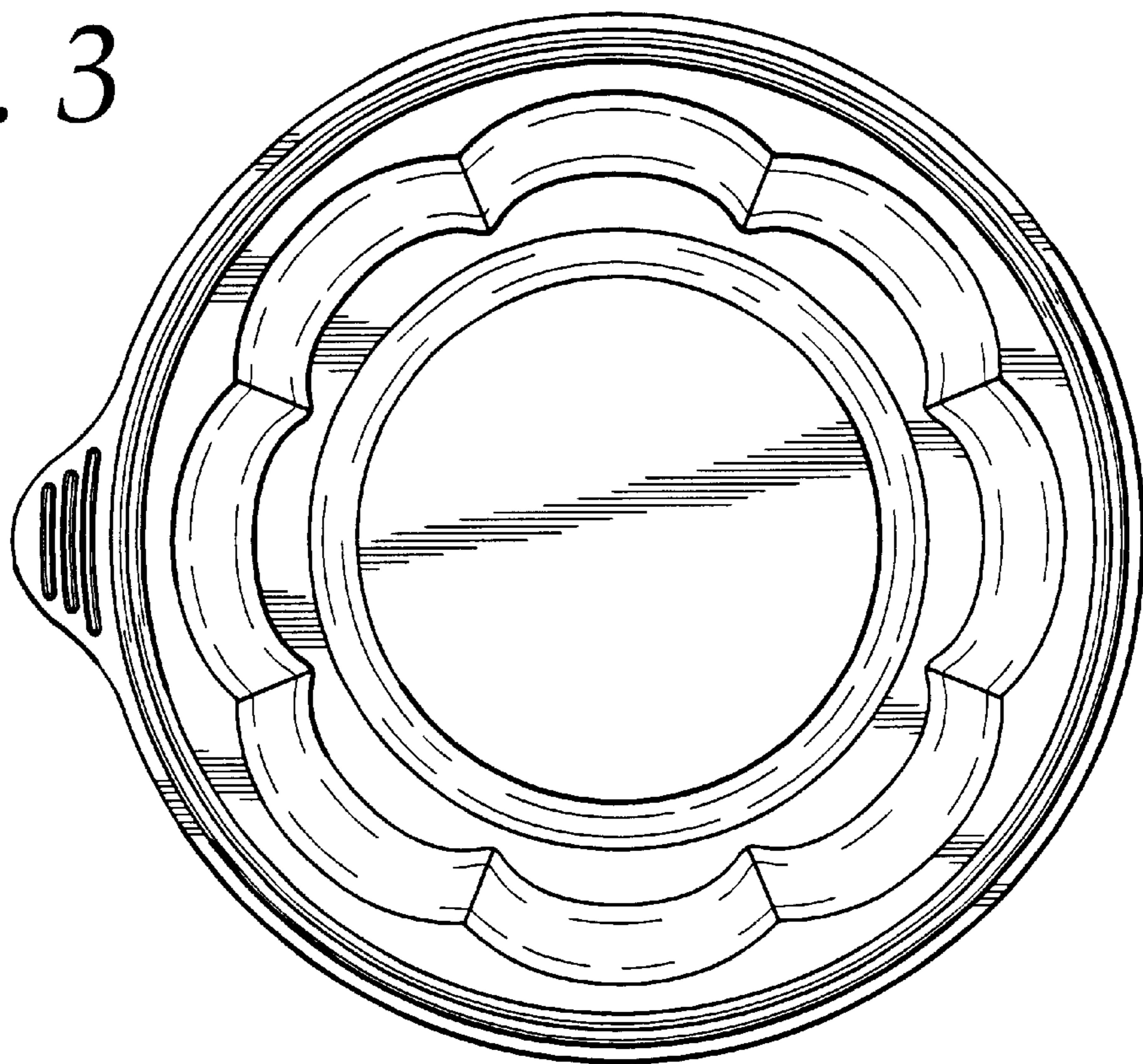


*Fig. 1*

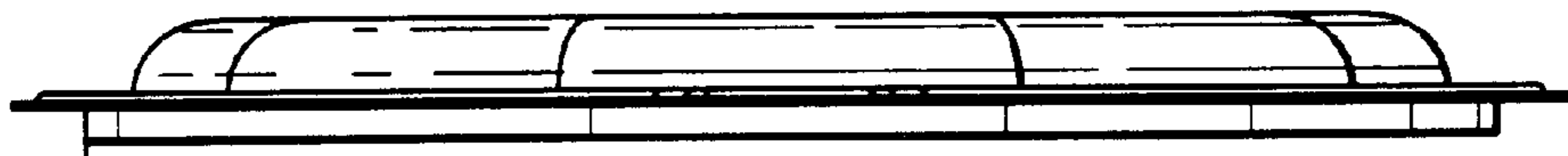
*Fig. 2*



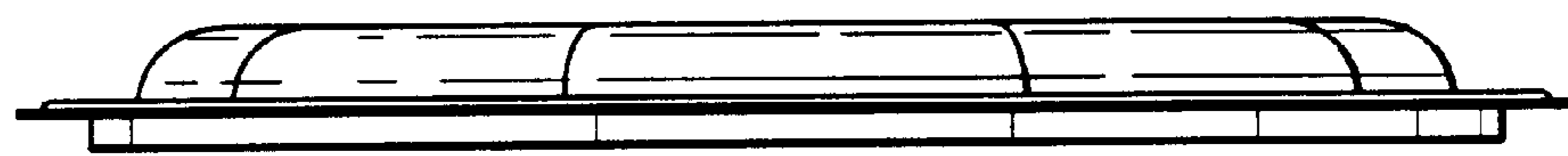
*Fig. 3*



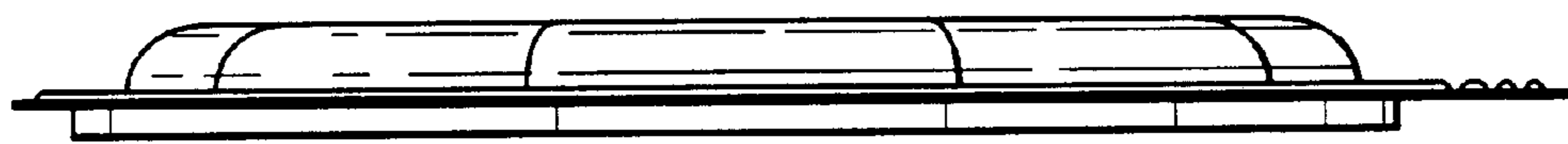
*Fig. 4*



*Fig. 5*



*Fig. 6*



*Fig. 7*

