



US00D484405S

(12) **United States Design Patent**
Morin

(10) **Patent No.:** **US D484,405 S**

(45) **Date of Patent:** **** Dec. 30, 2003**

(54) **CONTAINER**

(75) Inventor: **Emmanuelle Morin**, Paris (FR)

(73) Assignee: **SCA Hygiene Products GmbH**,
Mannheim (DE)

(**) Term: **14 Years**

(21) Appl. No.: **29/158,278**

(22) Filed: **Apr. 3, 2002**

(30) **Foreign Application Priority Data**

Oct. 3, 2001 (SE) 01-1600

(51) **LOC (7) Cl.** **09-03**

(52) **U.S. Cl.** **D9/416; D9/432**

(58) **Field of Search** D6/518; D9/337,
D9/414, 416, 418, 432, 433; 206/223, 233,
449, 555, 556; 229/122, 125.39, 200, 205,
207, 240, 242

(56) **References Cited**

U.S. PATENT DOCUMENTS

2,967,010	A	*	1/1961	Cuffey, Jr. et al.	229/51
2,974,852	A	*	3/1961	Huss et al.	229/51
3,024,958	A	*	3/1962	Loderhose	229/17
3,207,360	A	*	9/1965	Scott	221/48
D337,725	S	*	7/1993	Bunin	D9/341
5,540,354	A	*	7/1996	Annand	221/52
5,542,598	A	*	8/1996	Capo	229/242
D398,841	S	*	9/1998	Sargent et al.	D9/339
D447,685	S	*	9/2001	Chagnon et al.	D9/416

* cited by examiner

Primary Examiner—Philip S. Hyder

Assistant Examiner—Daniel Bui

(74) *Attorney, Agent, or Firm*—Burns, Doane, Swecker & Mathis, L.L.P.

(57) **CLAIM**

The ornamental design for a container, as shown and described.

DESCRIPTION

FIG. 1 is a top, front, and side perspective view of a container showing a first embodiment of my new design, with the projections in a plane configuration; the rear and other side views being mirror images thereof.

FIG. 2 is a top, front, and side perspective view thereof, with the projections in an upstanding configuration; the rear and other side views being mirror images thereof.

FIG. 3 is a bottom, front, and side perspective view thereof; the rear and other side views being mirror images thereof.

FIG. 4 is a top, front, and side perspective view of a container showing a second embodiment of my new design, with the projections in a planar configuration; the rear and other side views being mirror images thereof.

FIG. 5 is a top, front, and side perspective view thereof, with the projections in an upstanding configuration; the rear and other side views being mirror images thereof.

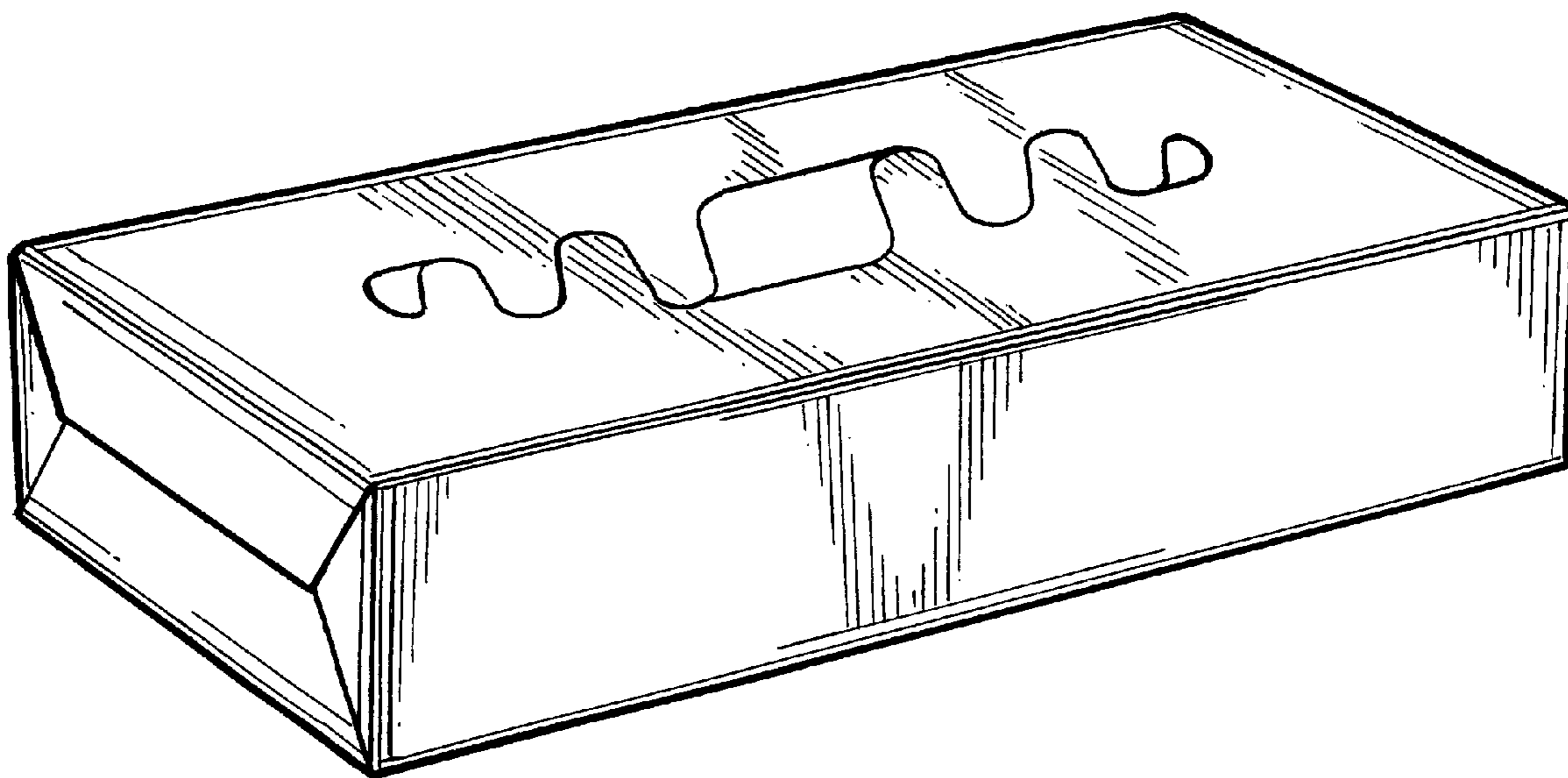
FIG. 6 is a bottom, front, and side perspective view thereof; the rear and other side views being mirror images thereof.

FIG. 7 is a top, front, and side perspective view of a container showing a third embodiment of my new design, with the projections in a planar configuration; the rear and other side views being mirror images thereof.

FIG. 8 is a top, front, and side perspective view thereof, with the projections in an upstanding configuration; the rear and other side views being mirror images thereof; and,

FIG. 9 is a bottom, front, and side perspective view thereof; the rear and other side views being mirror images thereof.

1 Claim, 5 Drawing Sheets



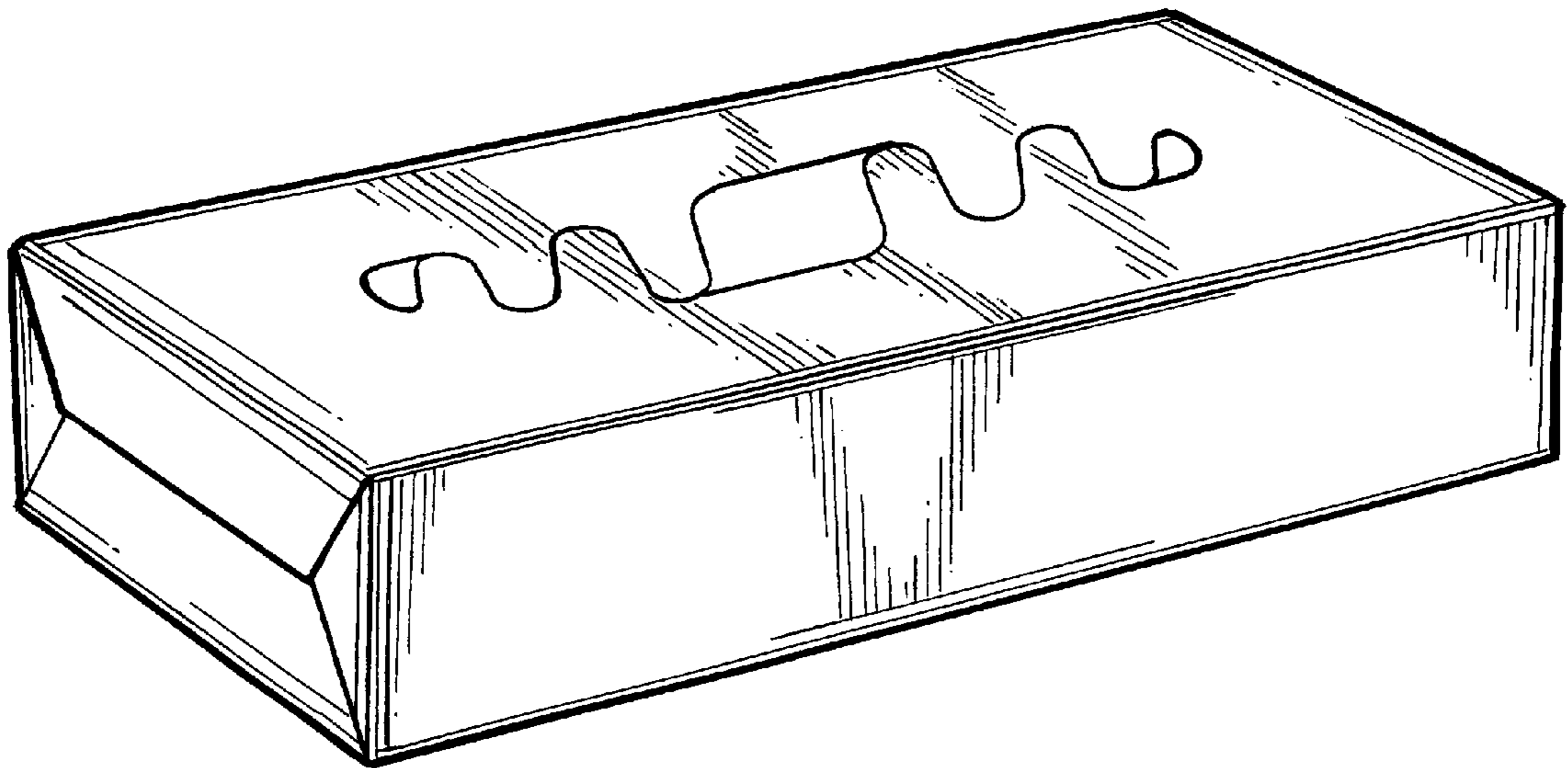


FIG. 1

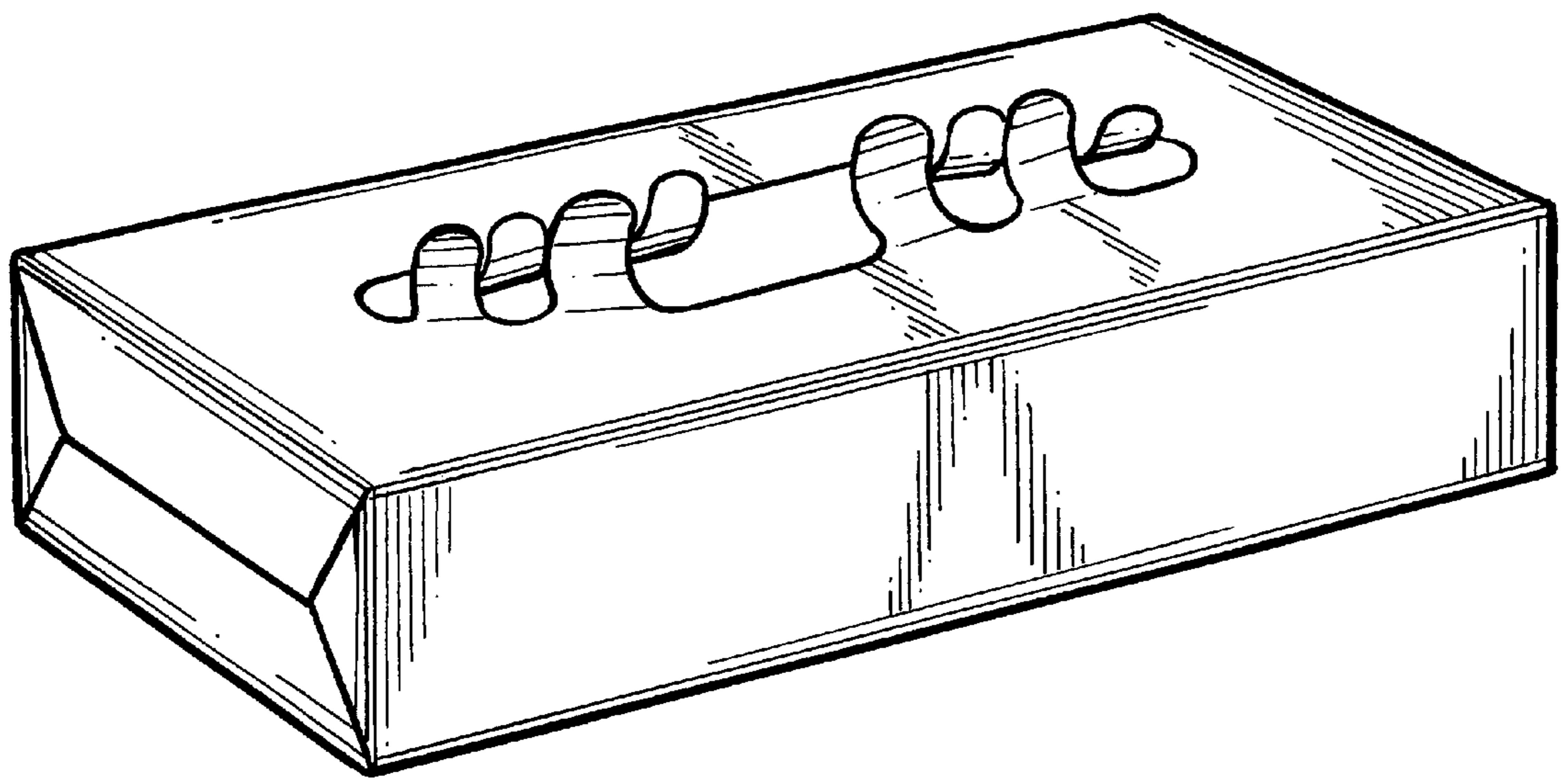


FIG. 2

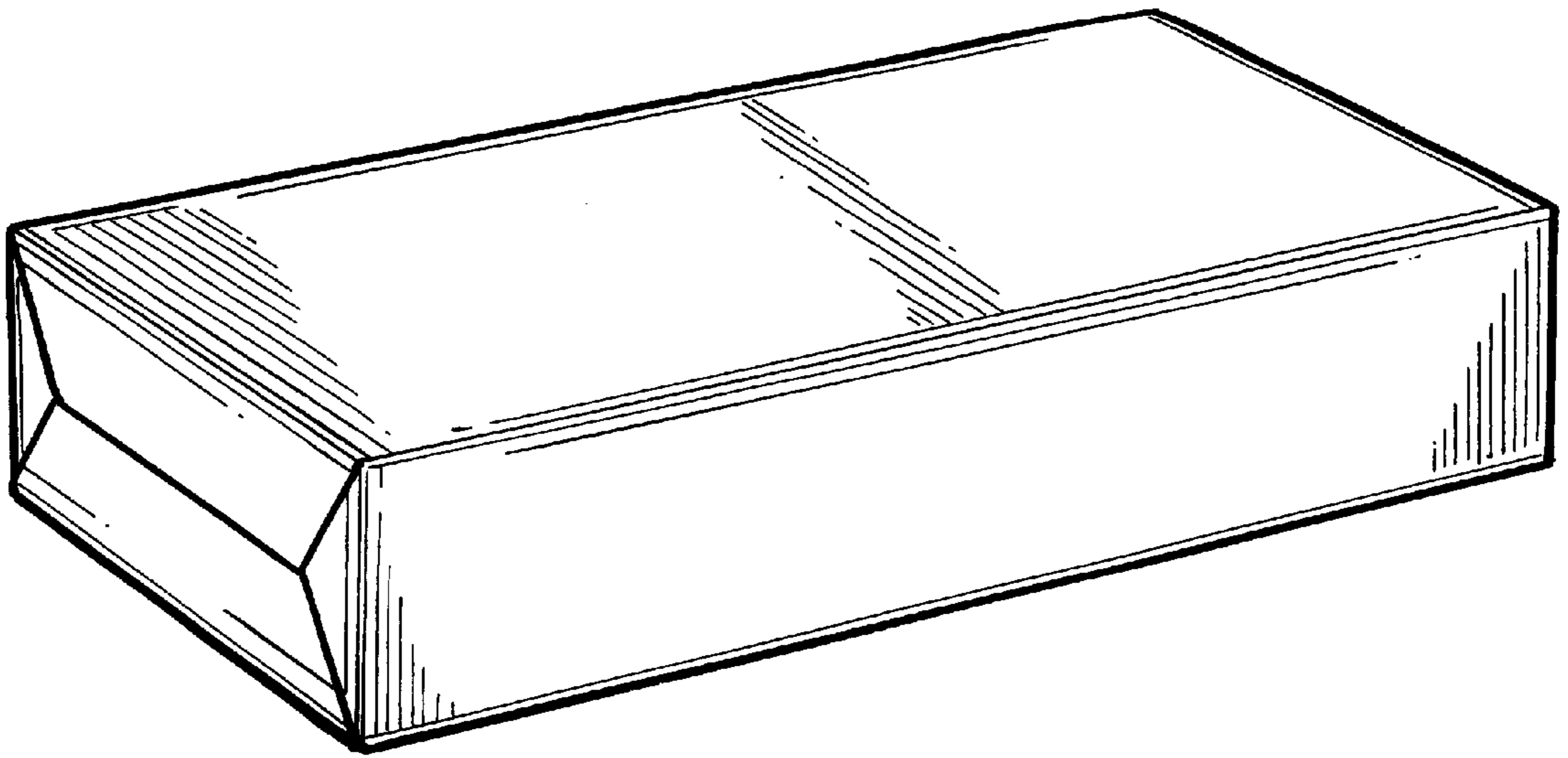


FIG. 3

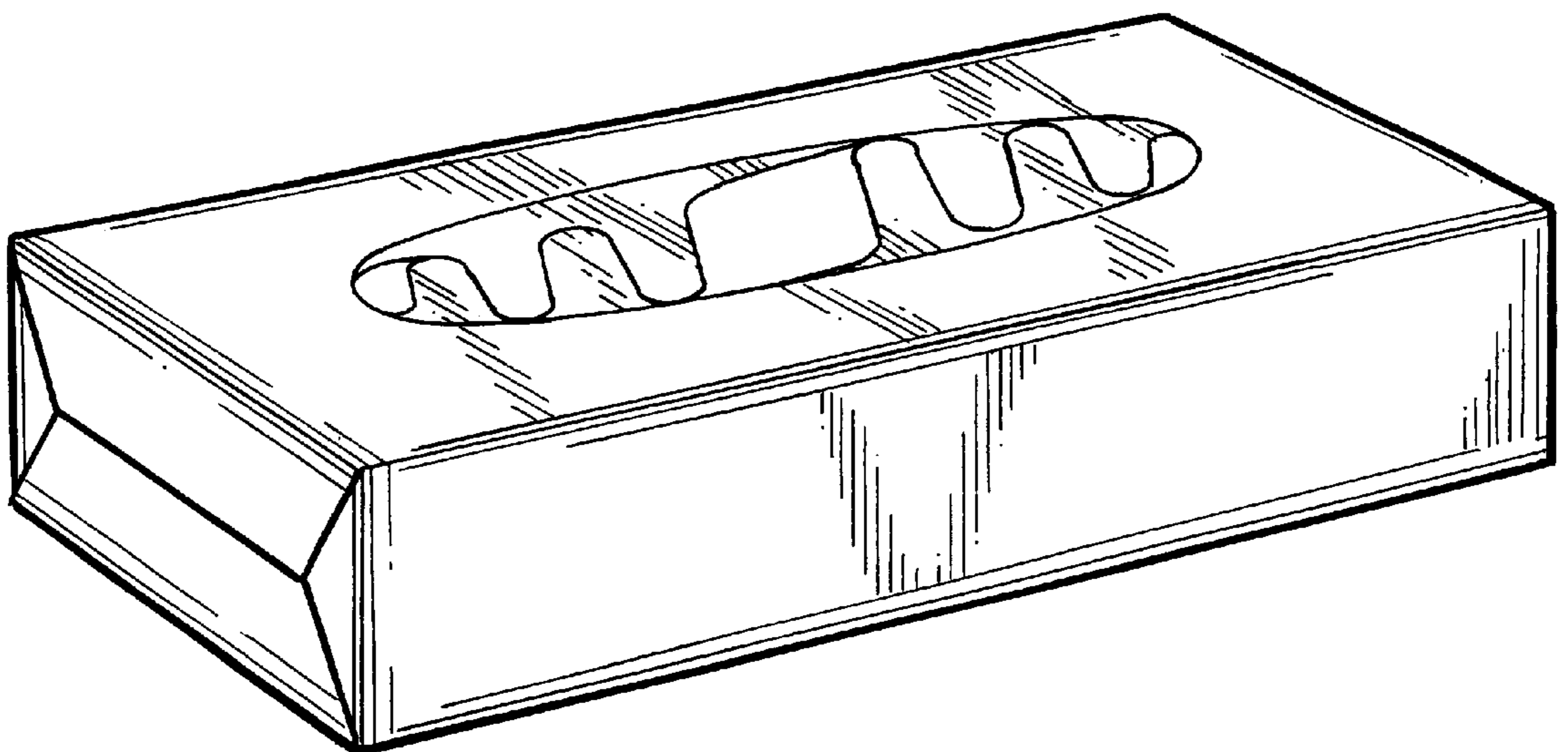


FIG. 4

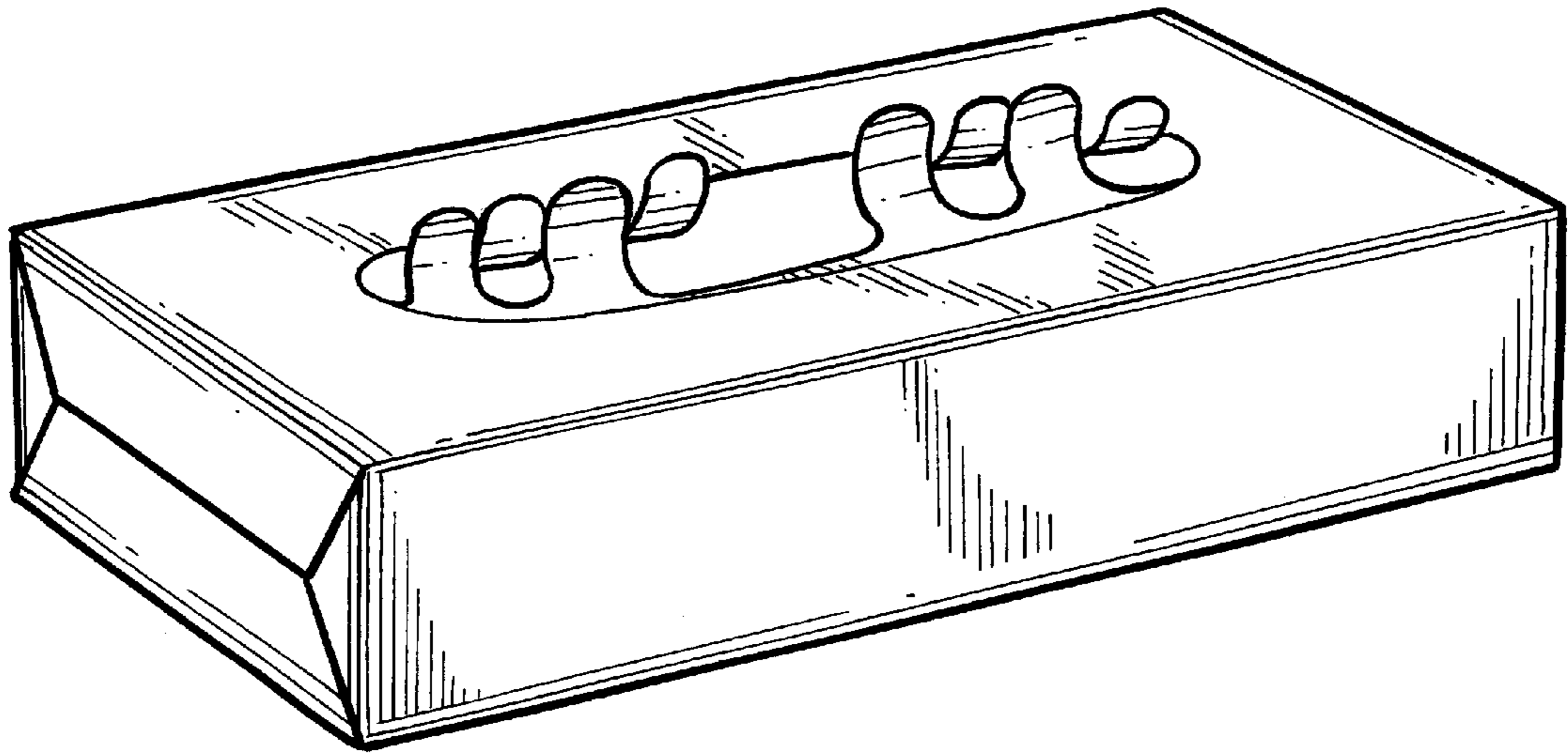


FIG. 5

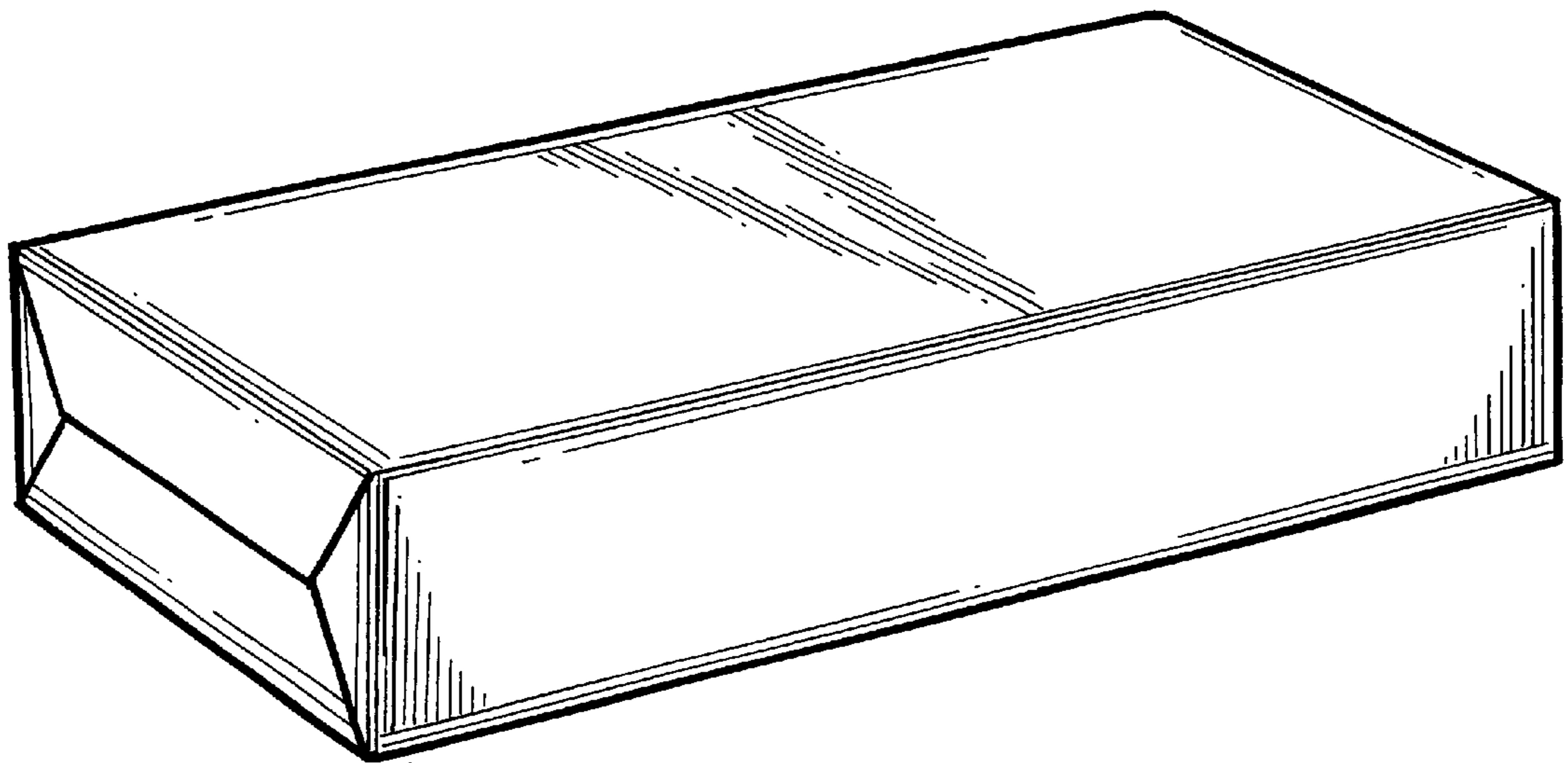


FIG. 6

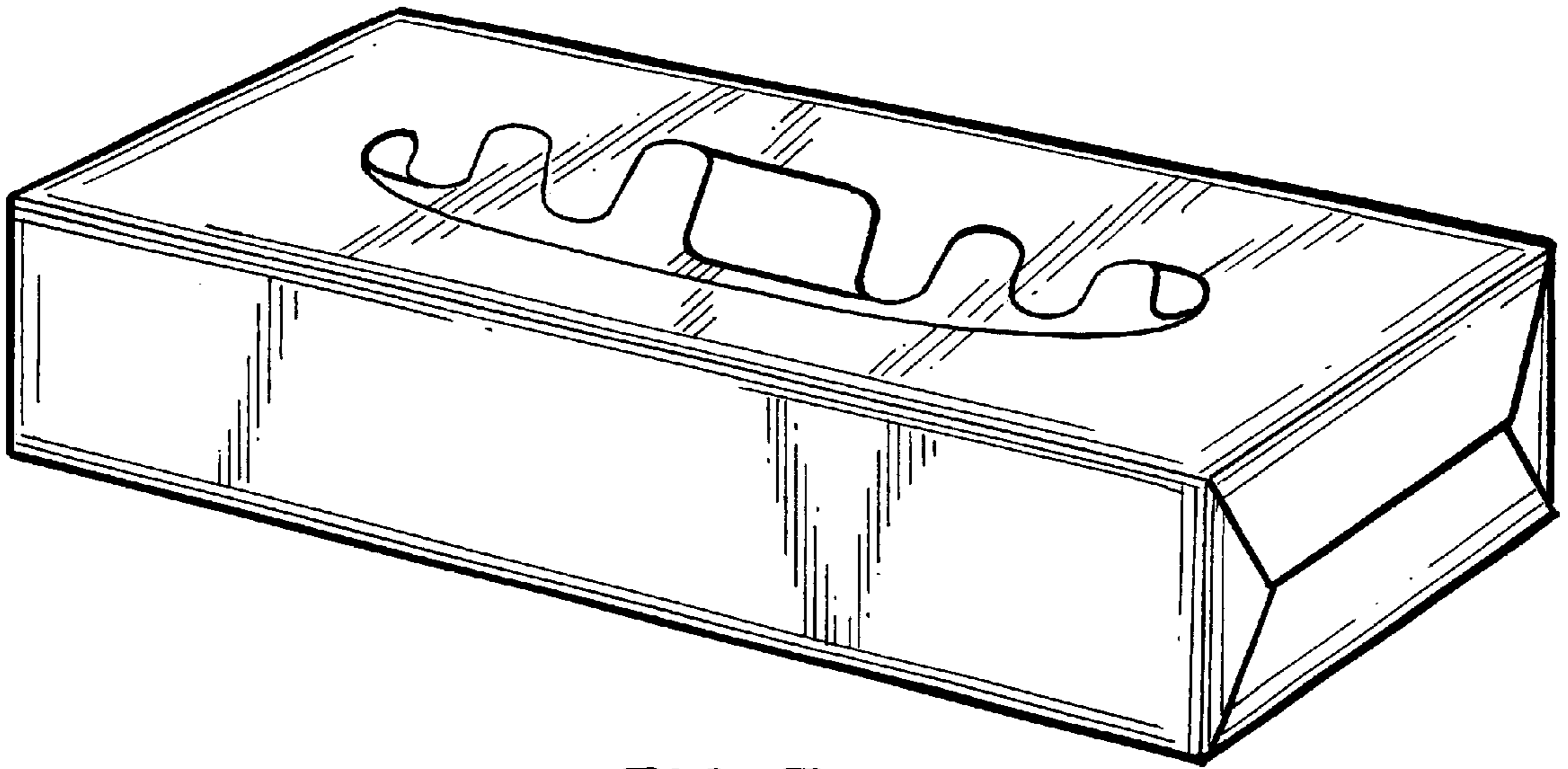


FIG. 7

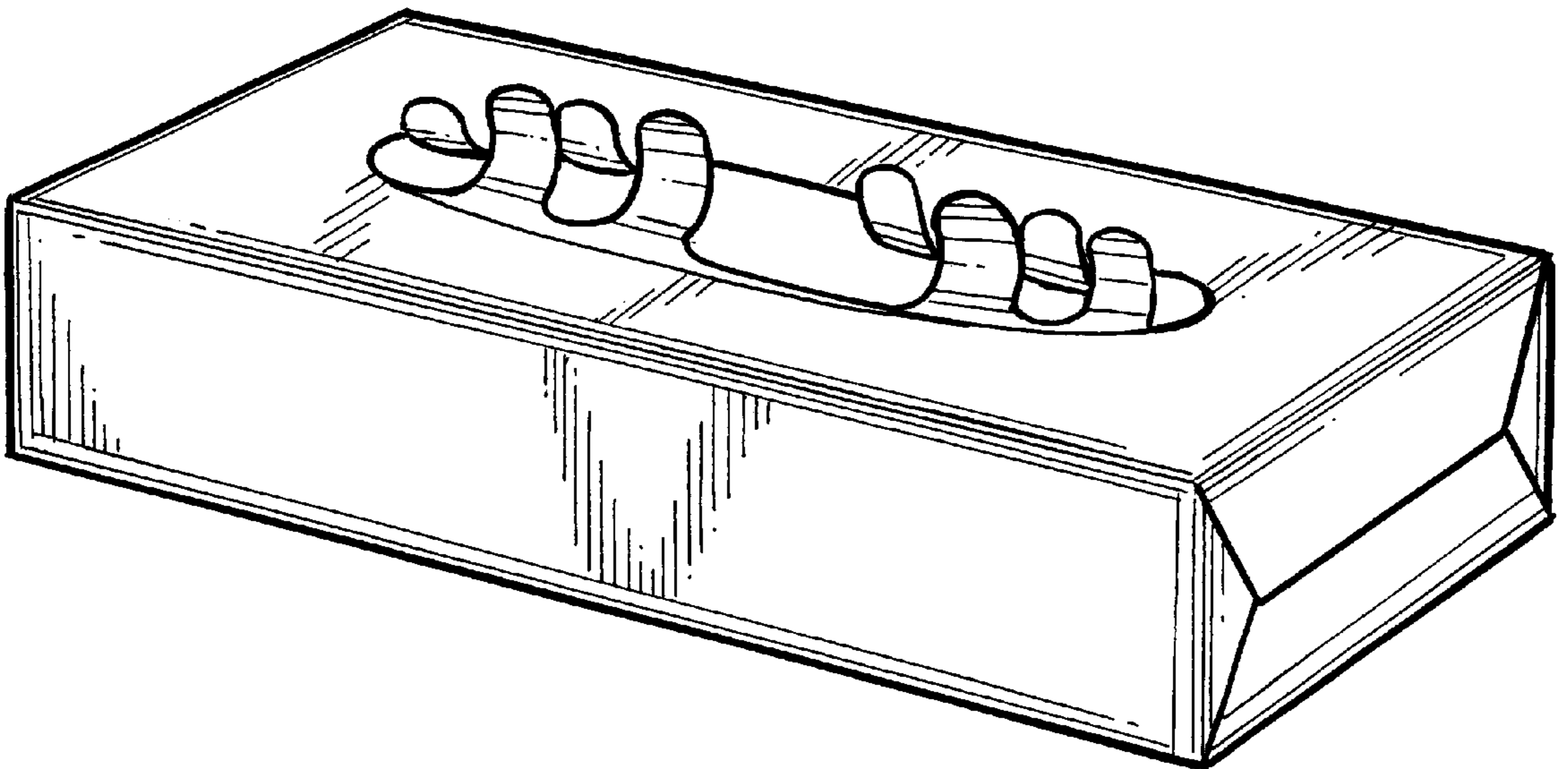


FIG. 8

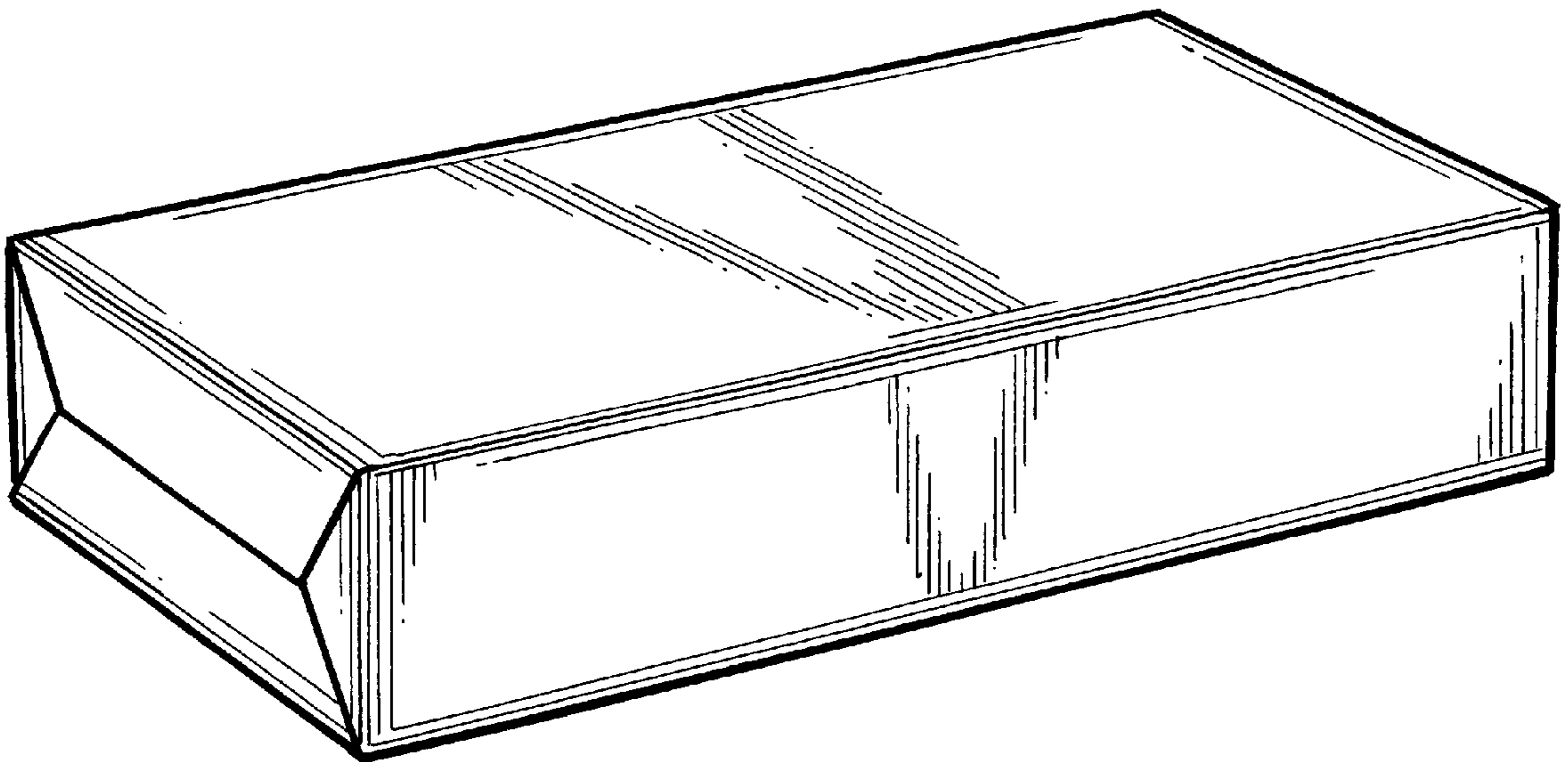


FIG. 9