



US00D484404S

(12) **United States Design Patent**
Porzio

(10) **Patent No.:** **US D484,404 S**

(45) **Date of Patent:** **** Dec. 30, 2003**

(54) **PORTABLE DISPENSER FOR
DISTRIBUTING DE-ICING PARTICULATE**

(76) **Inventor:** **Suzanne J. Porzio**, 25 Talmadge Hill
Rd., Prospect, CT (US) 06712

(**) **Term:** **14 Years**

(21) **Appl. No.:** **29/157,397**

(22) **Filed:** **Mar. 18, 2002**

(51) **LOC (7) Cl.** **09-01**

(52) **U.S. Cl.** **D9/338**

(58) **Field of Search** D7/300, 300.1,
D7/302, 591; D9/338-339, 551, 516-517,
529, 531-532, 537, 543, 549, 575, 499;
206/219, 221, 524.1, 525, 527, 822; 215/40,
200, 316, 329, 365, 379, 400; 220/200,
260, 375, 675, 735, 737

(56) **References Cited**

U.S. PATENT DOCUMENTS

617,406 A * 1/1899 Pinchin 220/763
D85,279 S * 10/1931 Brooke D9/521
3,799,426 A * 3/1974 Pates et al. 229/4.5
3,940,013 A * 2/1976 Bonnett 220/751

D318,778 S * 8/1991 Fiore et al. D7/591
5,150,808 A * 9/1992 Hamilton 220/375
D403,821 S * 1/1999 Kerridge D32/53.1
5,971,200 A * 10/1999 Reynolds 220/694
D452,119 S * 12/2001 Zeller et al. D7/591

* cited by examiner

Primary Examiner—Philip S. Hyder

Assistant Examiner—Daniel Bui

(74) *Attorney, Agent, or Firm*—Raymond A. Nuzzo

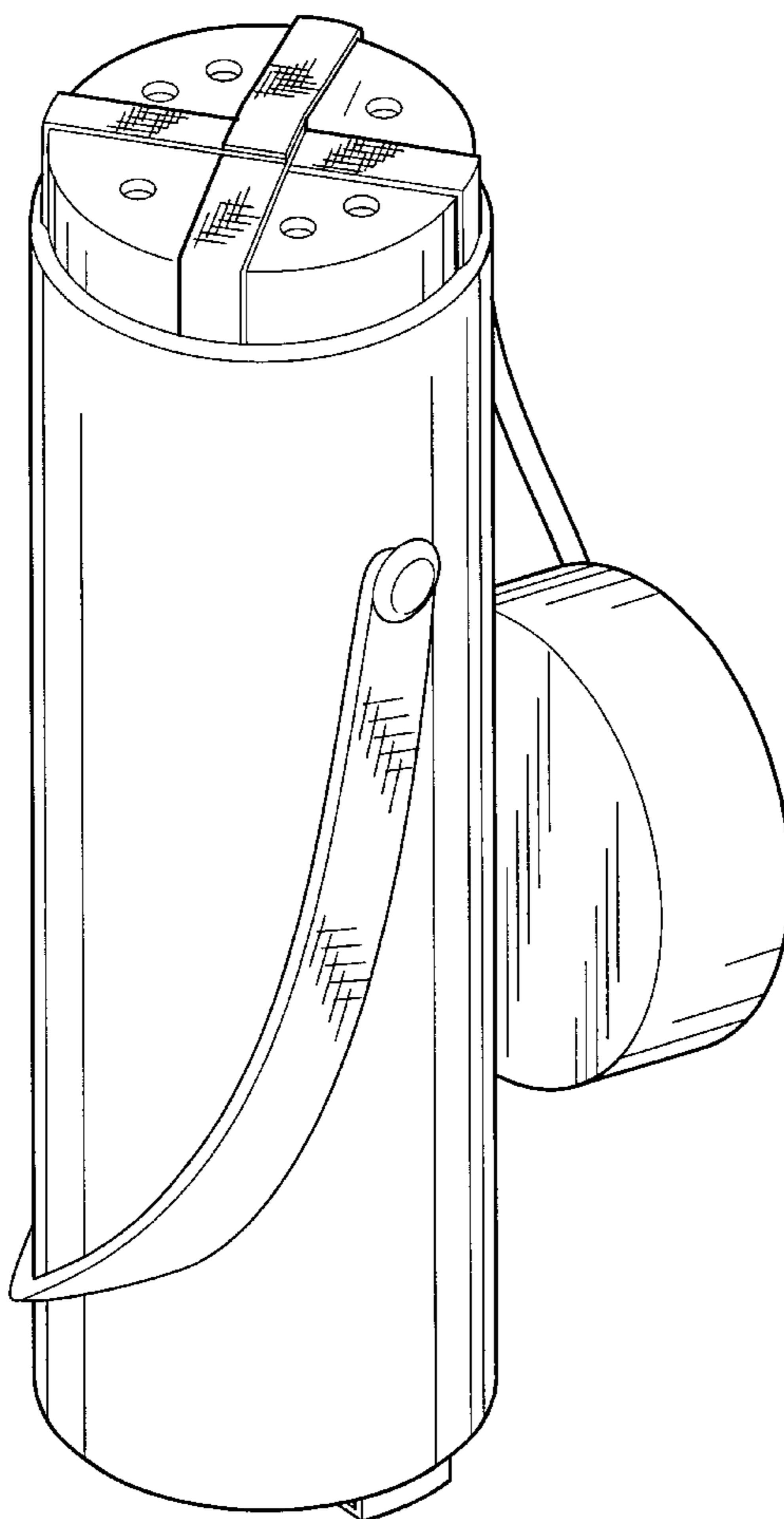
(57) **CLAIM**

The ornamental design for a portable dispenser for distrib-
uting de-icing particulate, as shown.

DESCRIPTION

FIG. 1 is a front perspective view of my new design;
FIG. 2 is a front elevational view thereof;
FIG. 3 is a rear perspective view thereof;
FIG. 4 is a top view thereof;
FIG. 5 is a bottom view thereof; and,
FIG. 6 is front perspective view of the portable dispenser
showing the cover, which is depicted in FIGS. 1-5, remov-
ably attached to the top of the portable dispenser.

1 Claim, 6 Drawing Sheets



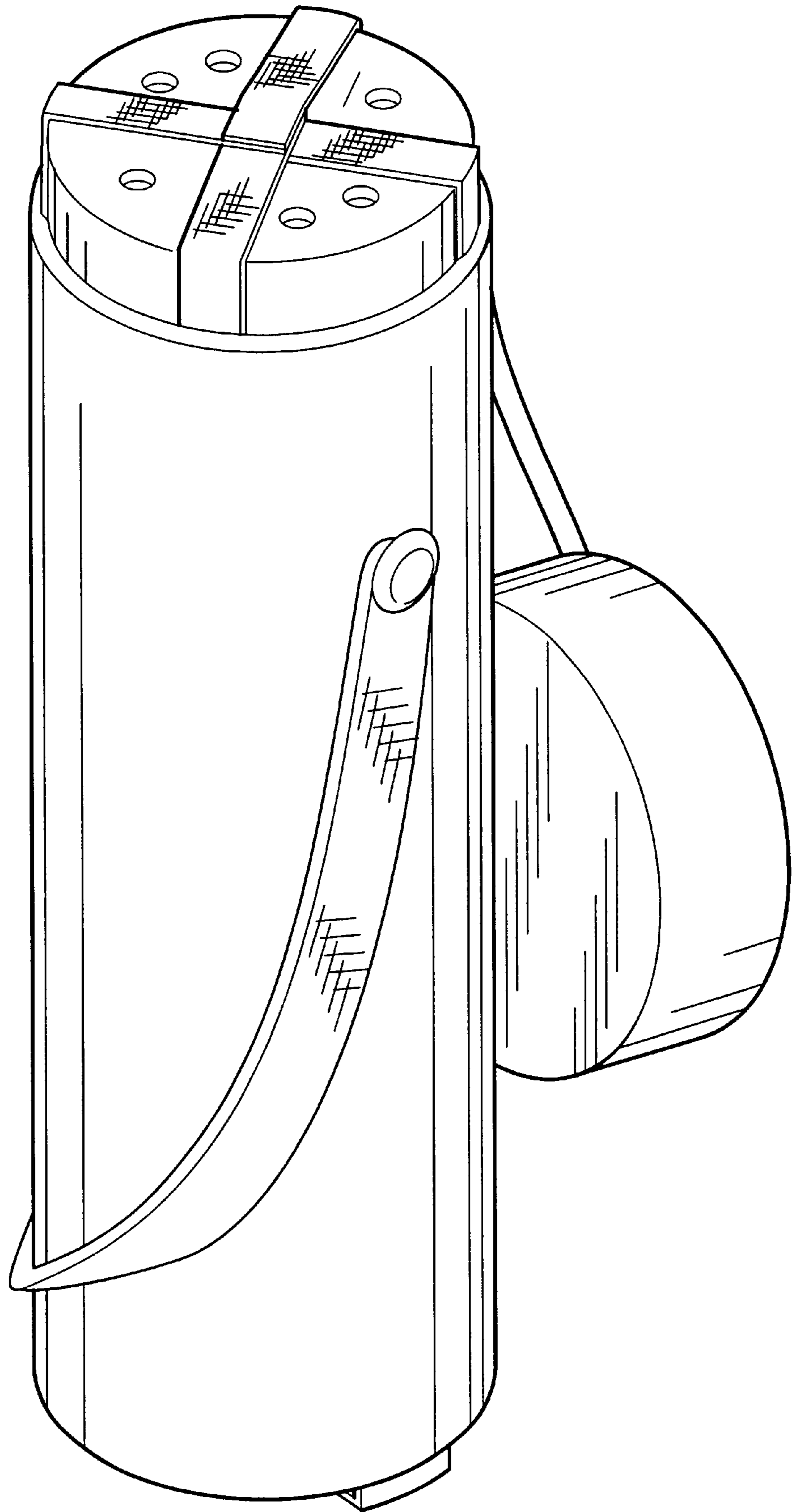


Fig. 1

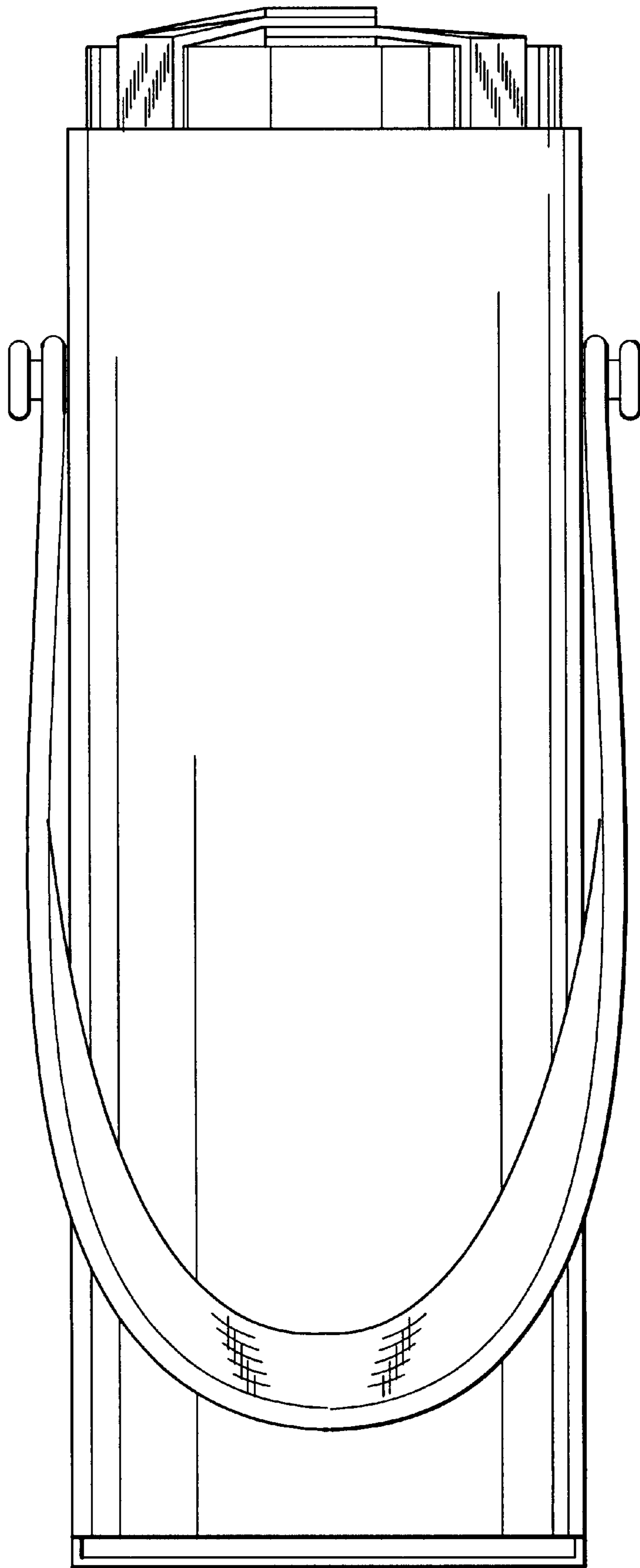


Fig. 2

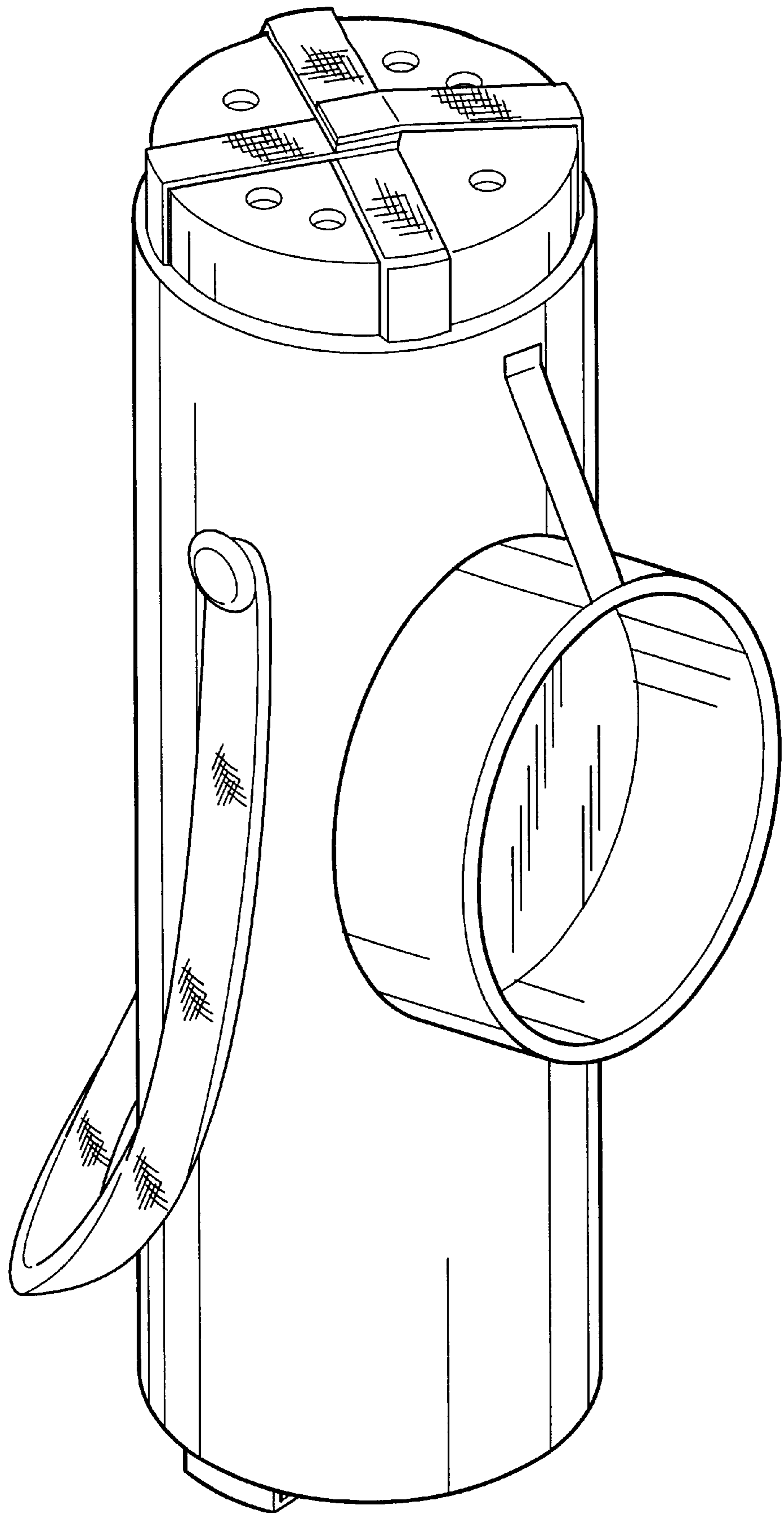


Fig. 3

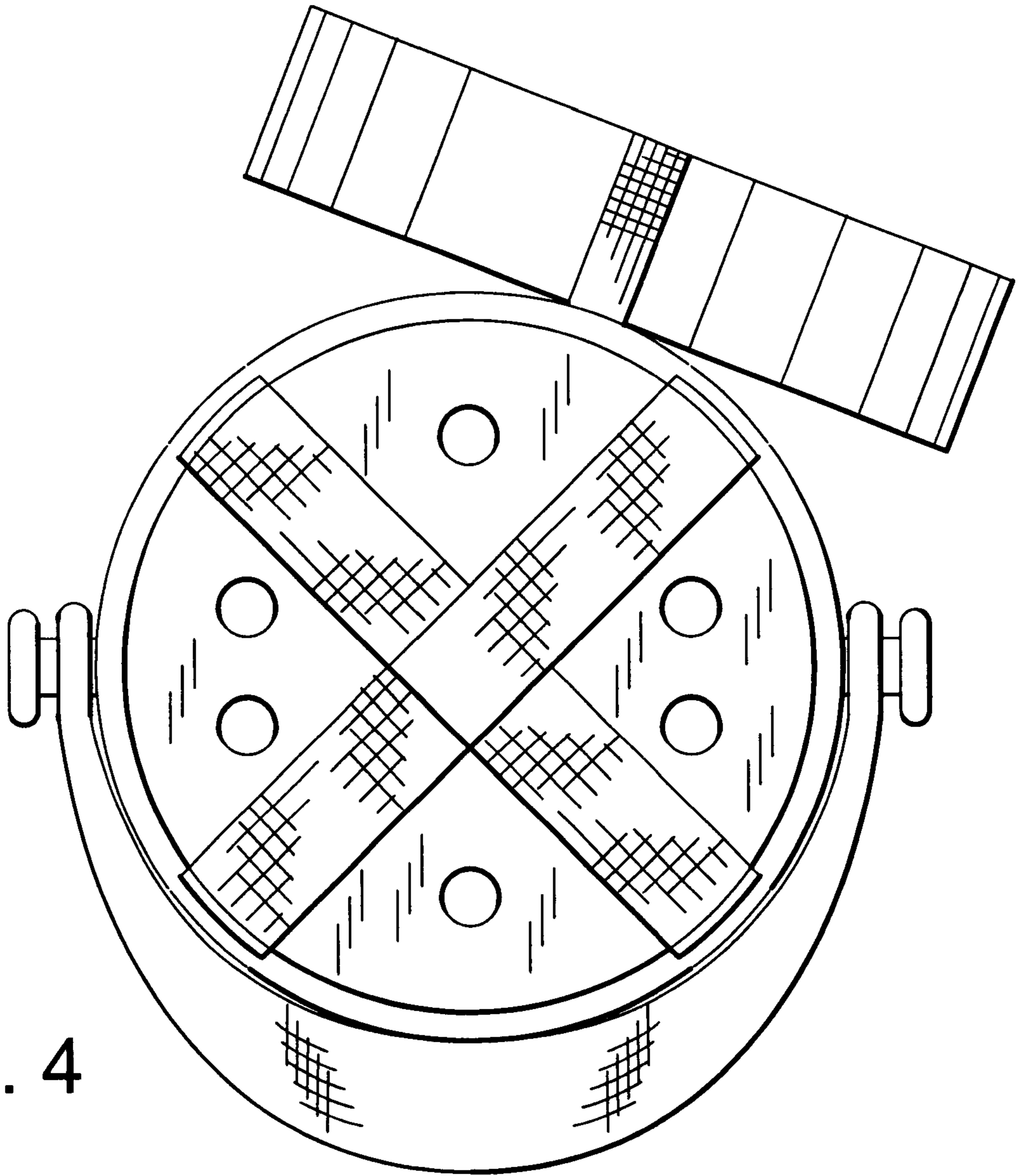


Fig. 4

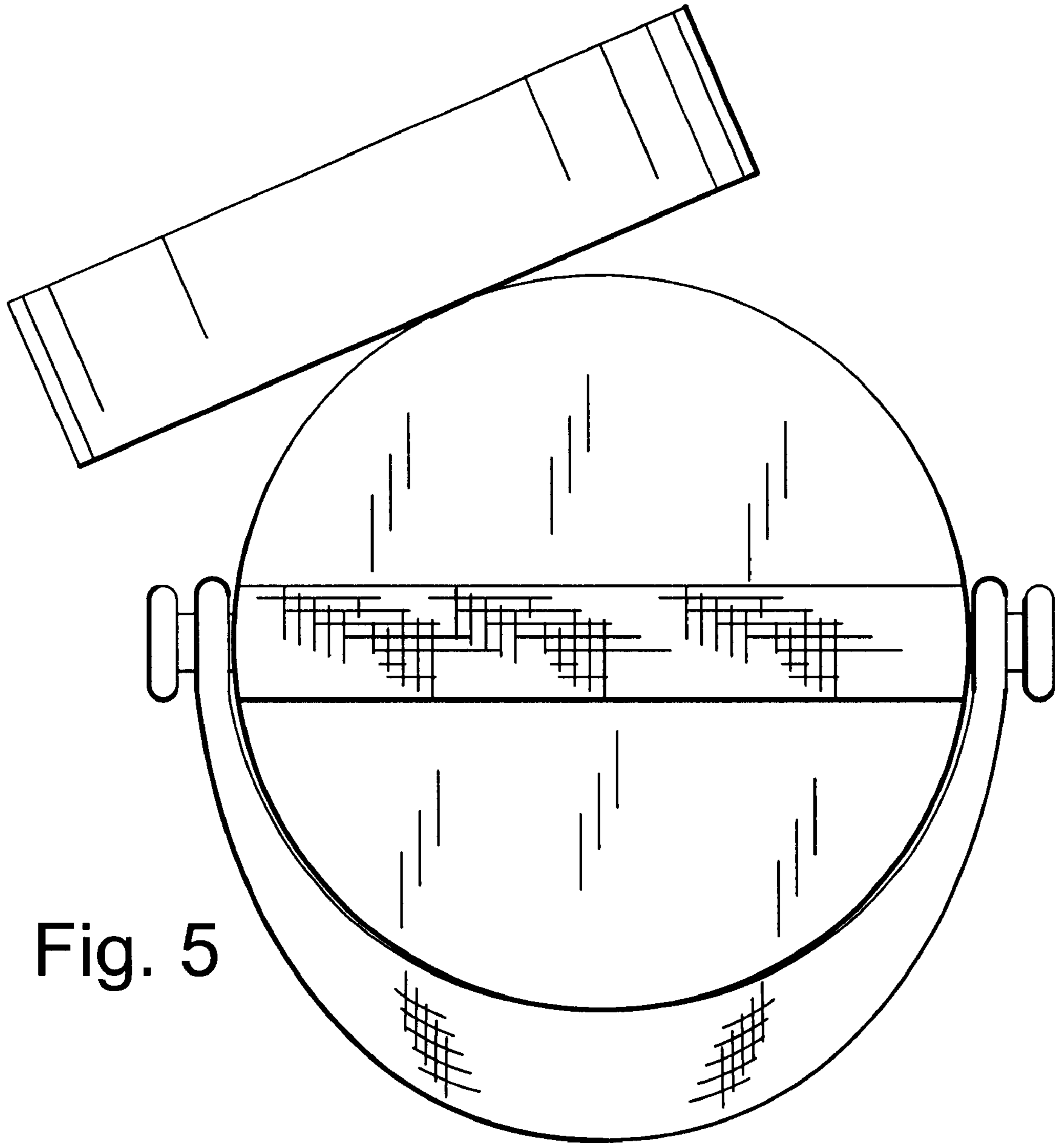


Fig. 5

Fig. 6

