



US00D484400S

(12) **United States Design Patent**  
**Blake et al.**

(10) **Patent No.:** **US D484,400 S**

(45) **Date of Patent:** **\*\* Dec. 30, 2003**

(54) **CABLE CLIP**

(76) Inventors: **Joshua Blake**, 5600 NW. 12th Ave., Suite 306, Ft. Lauderdale, FL (US) 33309; **Jason Cohen**, 5600 NW. 12th Ave., Suite 306, Ft. Lauderdale, FL (US) 33309

(\*\*) Term: **14 Years**

(21) Appl. No.: **29/176,663**

(22) Filed: **Feb. 25, 2003**

(51) **LOC (7) Cl.** ..... **08-08**

(52) **U.S. Cl.** ..... **D8/394; D8/356**

(58) **Field of Search** ..... D8/356, 394-396, D8/72; 24/132 R, 132 AA, 122.6; 246/74.1-74.3

(56) **References Cited**

**U.S. PATENT DOCUMENTS**

4,265,420 A	5/1981	McCormick	
D270,329 S	8/1983	Hardy	
D284,810 S	* 7/1986	Kelemen, Sr. ....	D8/72
4,623,102 A	* 11/1986	Hough, Jr. ....	248/74.3
4,637,097 A	1/1987	Secord	
D302,655 S	8/1989	Sachs	
4,903,920 A	2/1990	Merritt	
D308,819 S	6/1990	Anscher	
D329,373 S	9/1992	Kaga	
D331,358 S	12/1992	Sachs	
D342,013 S	12/1993	Sachs	
D349,038 S	7/1994	Sachs	
5,411,228 A	5/1995	Morawa	
D372,420 S	* 8/1996	Mendez .....	D8/383
5,615,852 A	4/1997	Heidorn	
5,639,049 A	6/1997	Jennings	

D389,732 S	1/1998	Weishaar
5,739,474 A	4/1998	Bradley
D398,218 S	9/1998	Coll
D400,090 S	10/1998	Coll
6,010,100 A	1/2000	Merritt
6,021,982 A	2/2000	Mangone, Jr.
D428,330 S	7/2000	Johnston
6,243,928 B1	6/2001	Powell
6,257,920 B1	7/2001	Finona
6,279,208 B1	8/2001	Gillis
6,378,814 B1	4/2002	Kaplan

\* cited by examiner

*Primary Examiner*—Louis S. Zarfes

*Assistant Examiner*—Gregory Andoll

(74) *Attorney, Agent, or Firm*—Mark D. Bowen, Esq.; Stearns Weaver Miller Weissler Alhadeff & Sitterson, P.A.

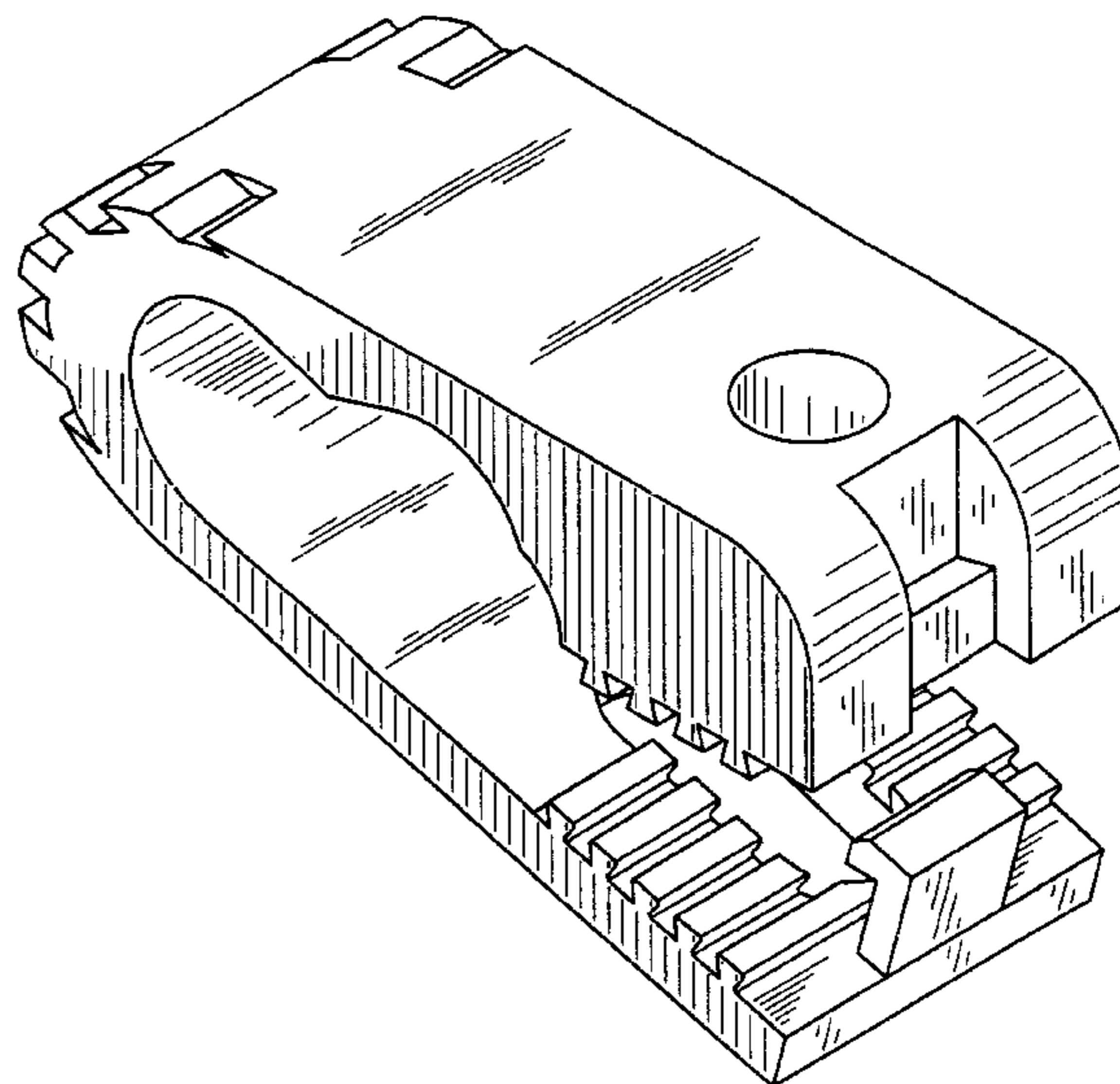
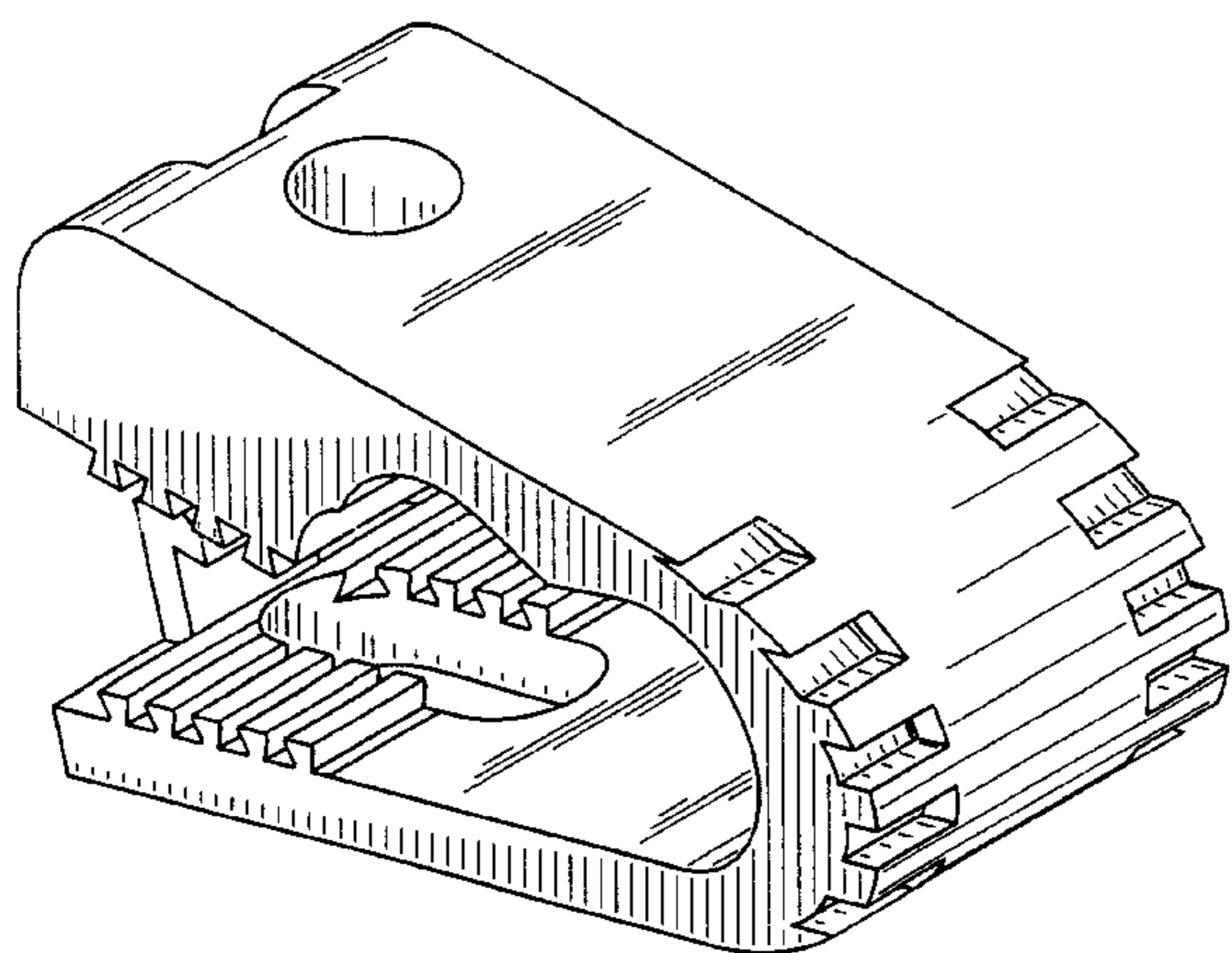
(57) **CLAIM**

The ornamental design for a cable clip, as shown and described.

**DESCRIPTION**

FIG. 1 is a rear top left perspective view a cable clip according to the present invention; FIG. 2 is a front top right view thereof; FIG. 3 is a front top left view thereof; FIG. 4 is a rear top right view thereof; FIG. 5 is a side view thereof; FIG. 6 is a rear view thereof; FIG. 7 is a front view thereof; FIG. 8 is a bottom view thereof; and, FIG. 9 is a top view thereof.

**1 Claim, 4 Drawing Sheets**



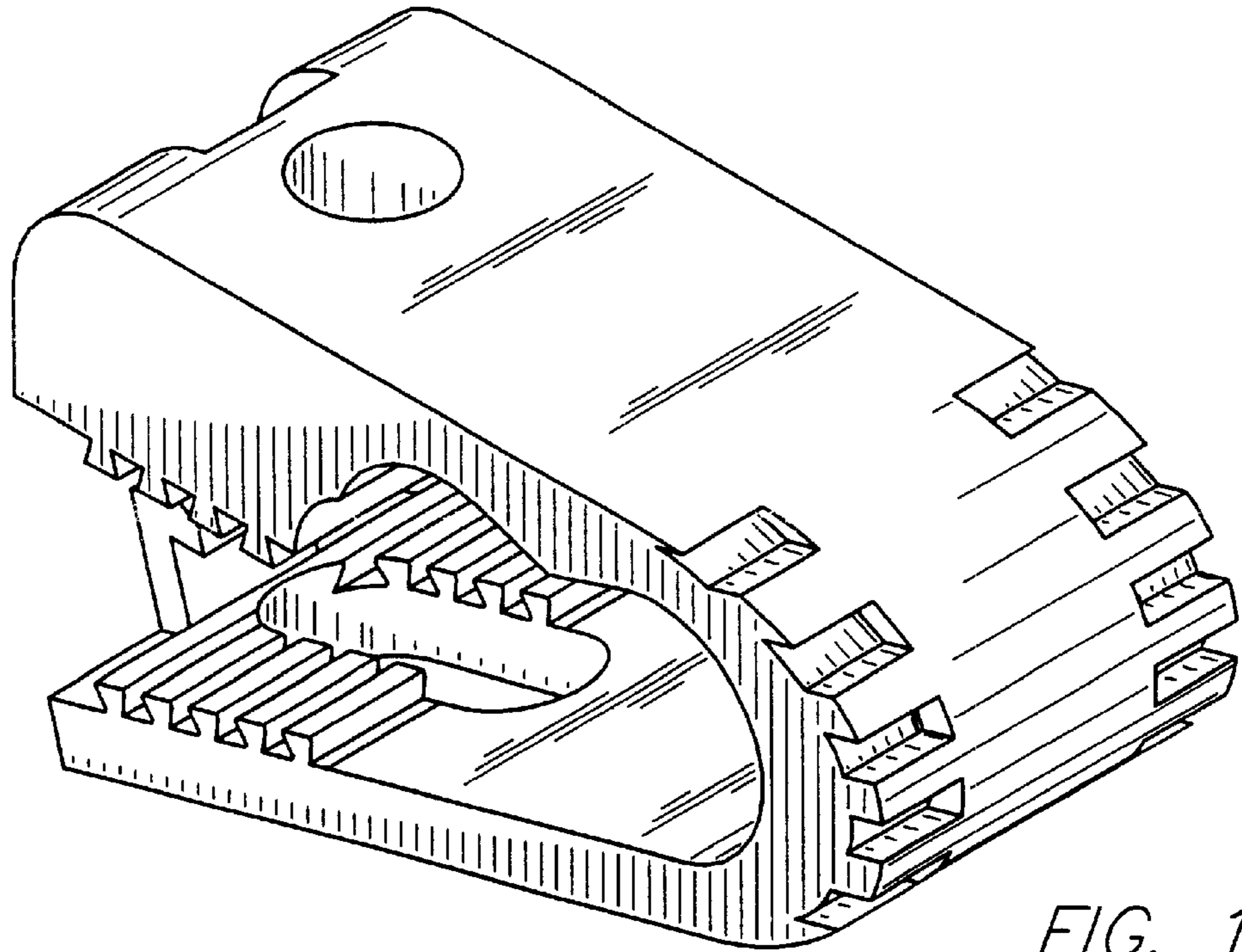


FIG. 1

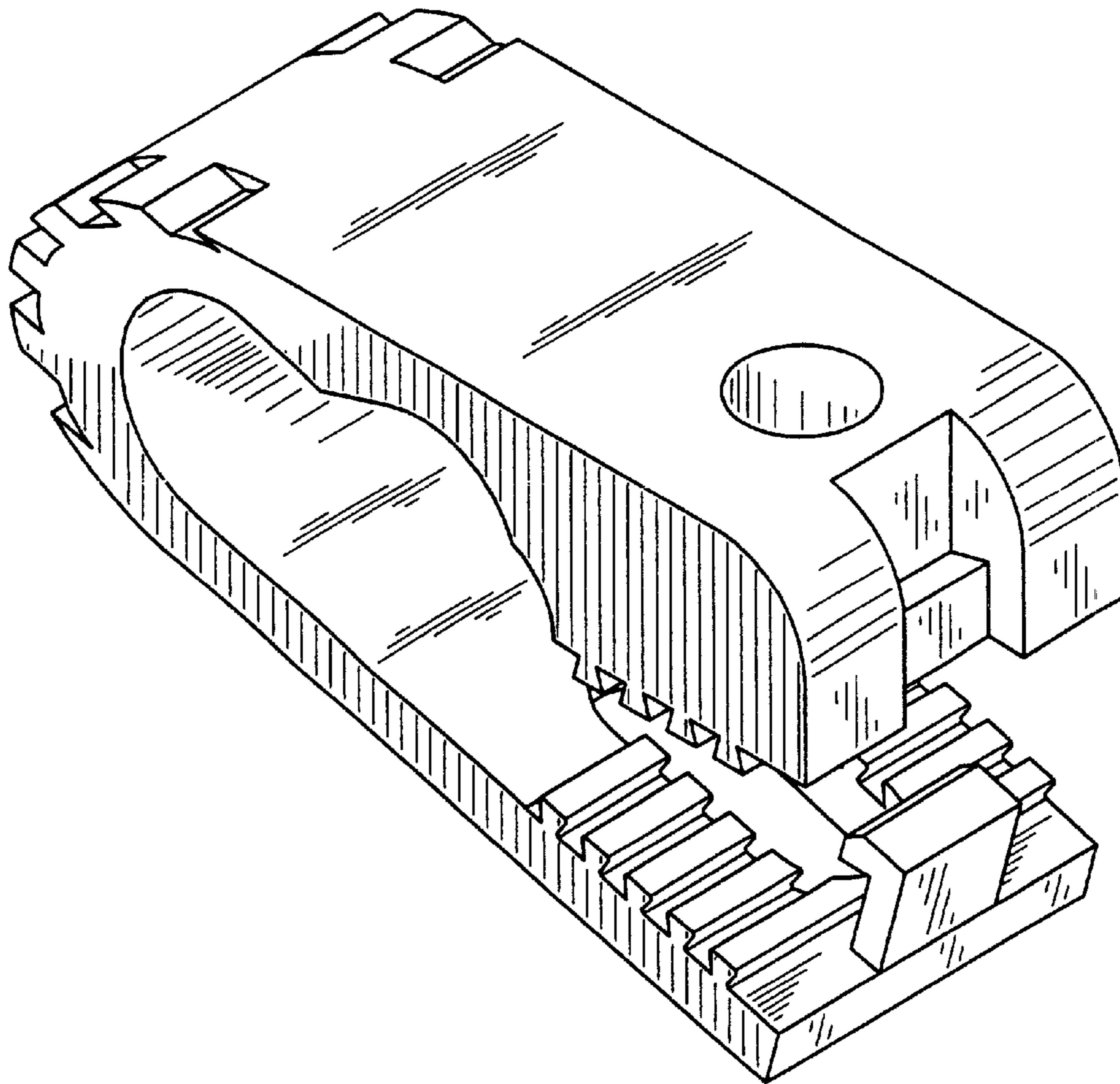


FIG. 2

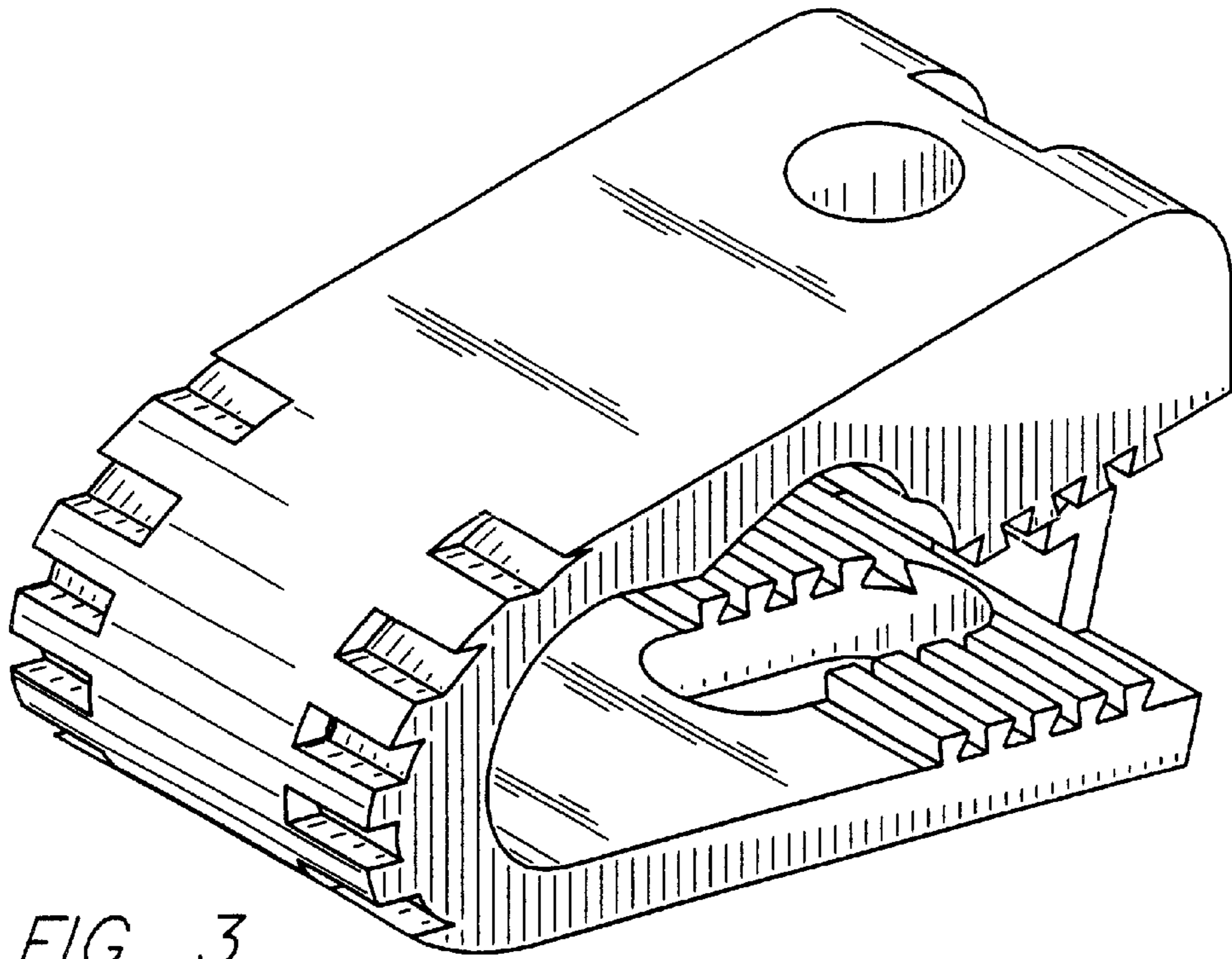


FIG. 3

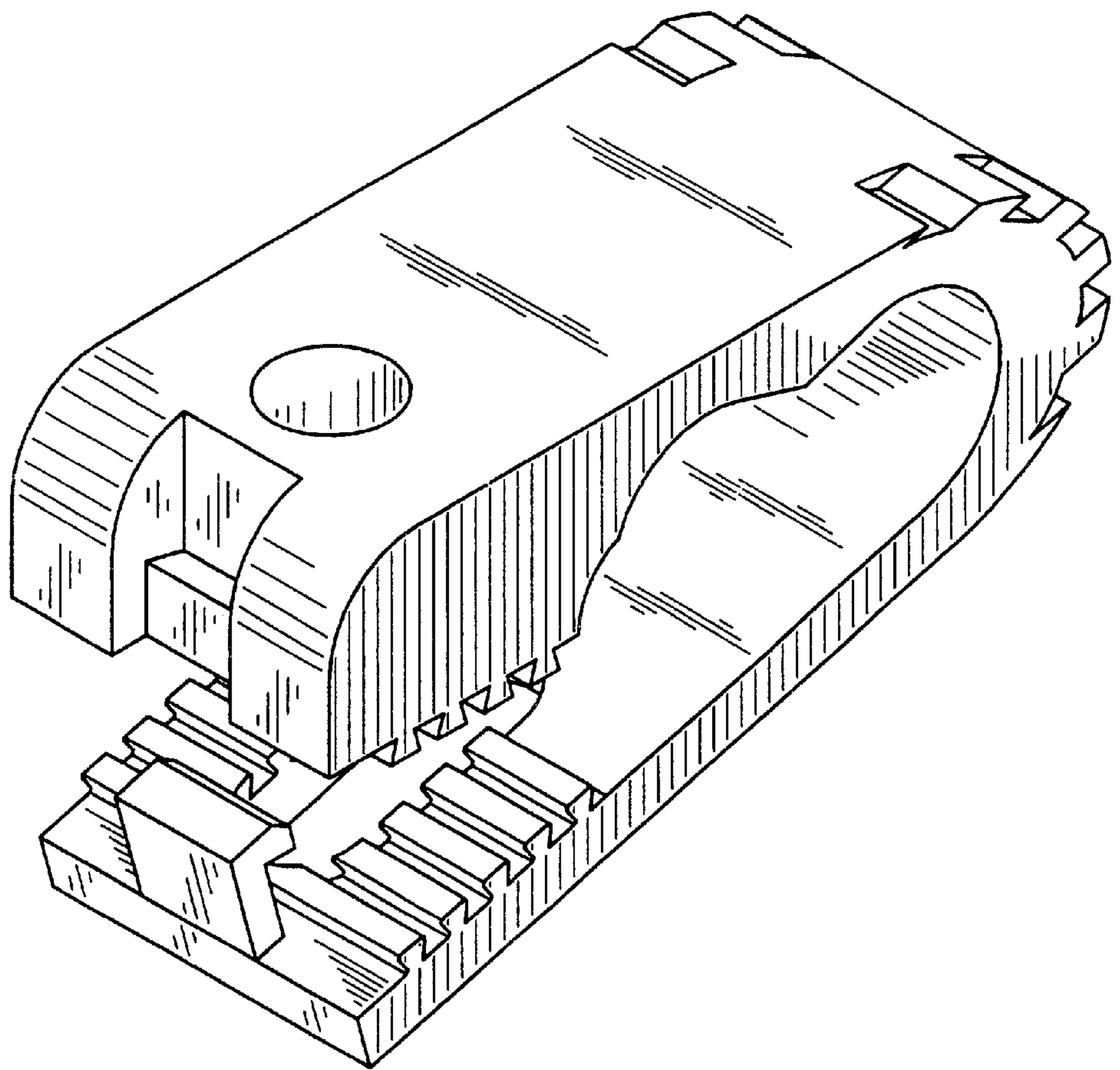


FIG. 4

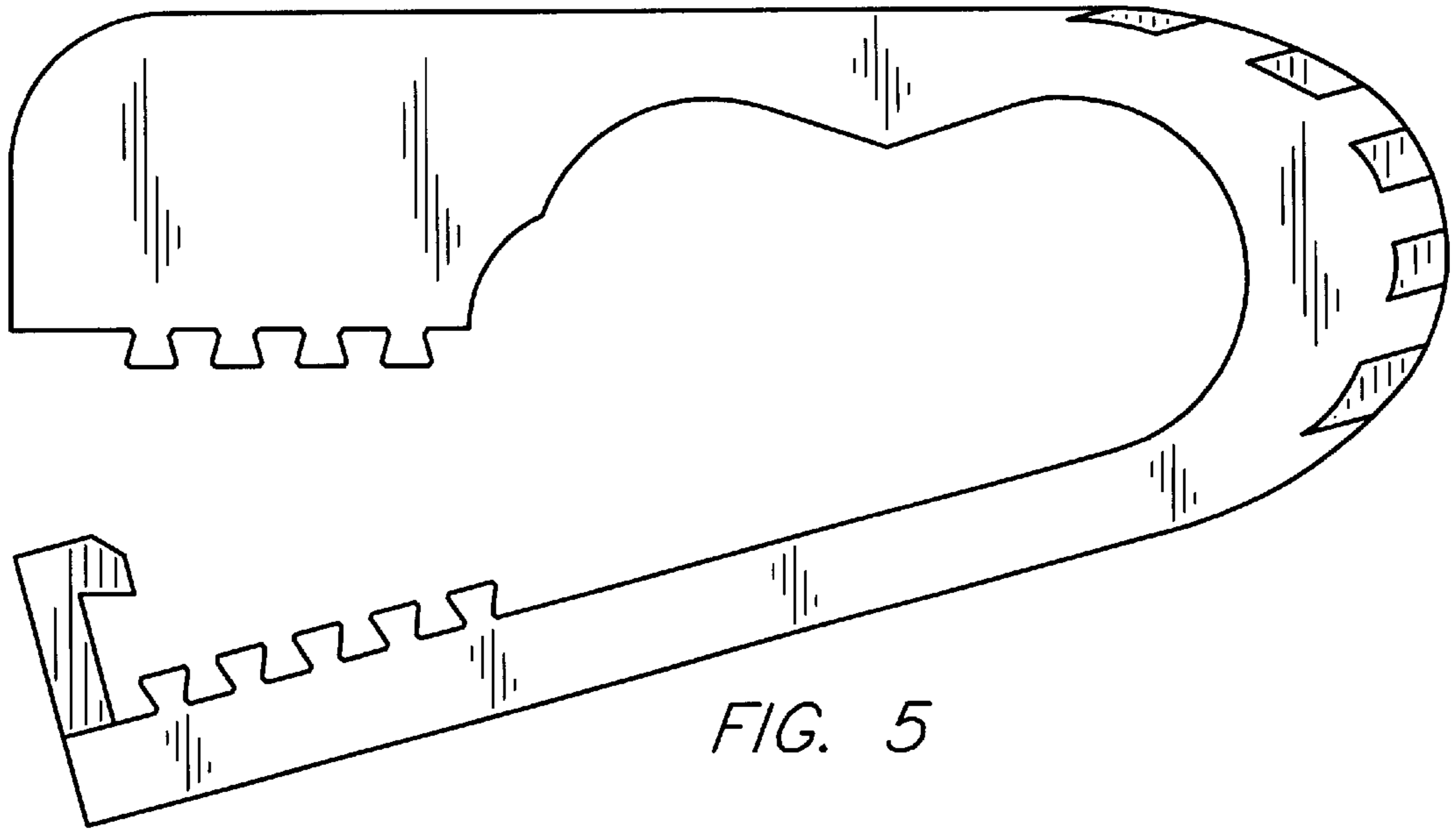


FIG. 5

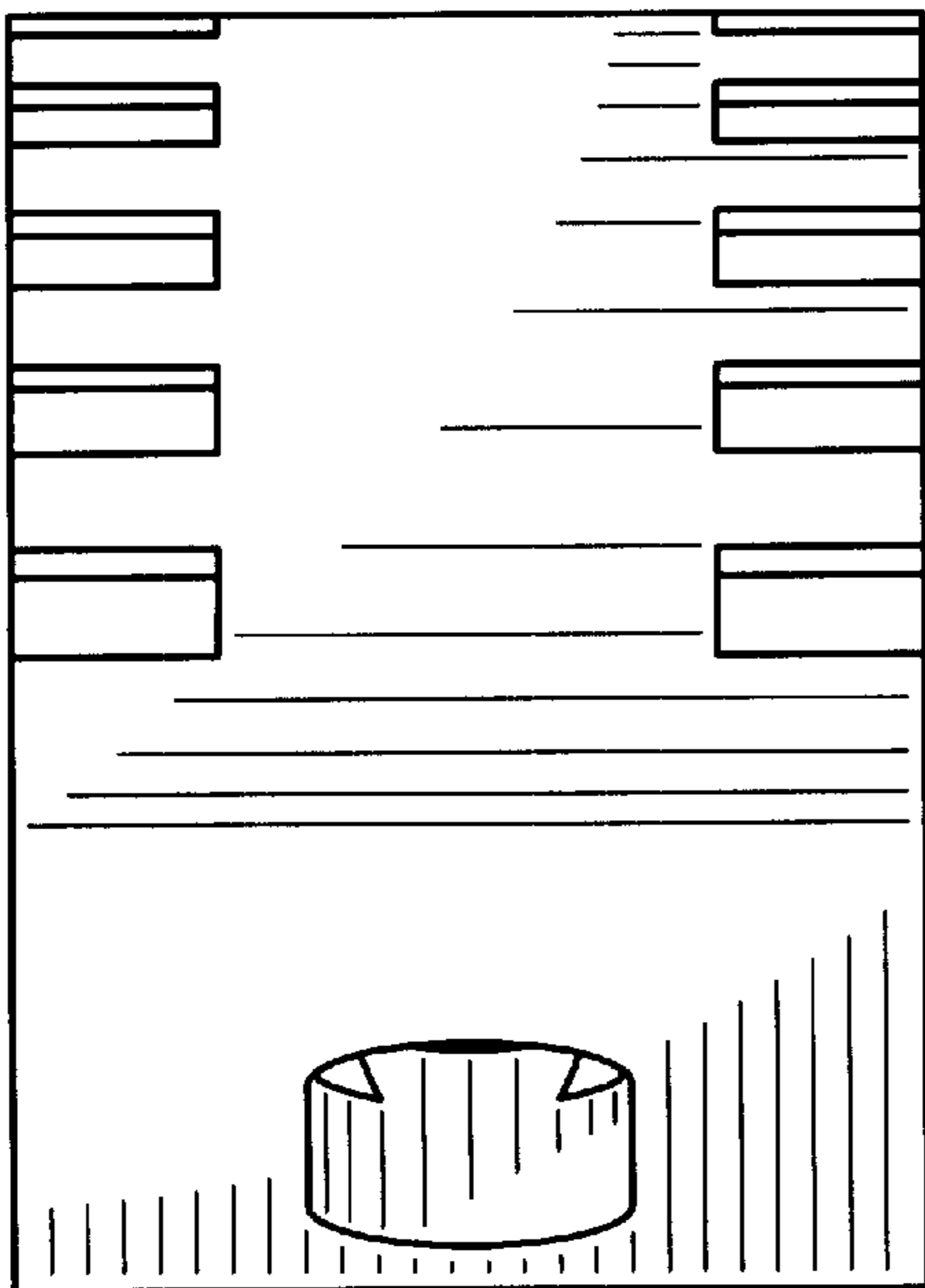


FIG. 6

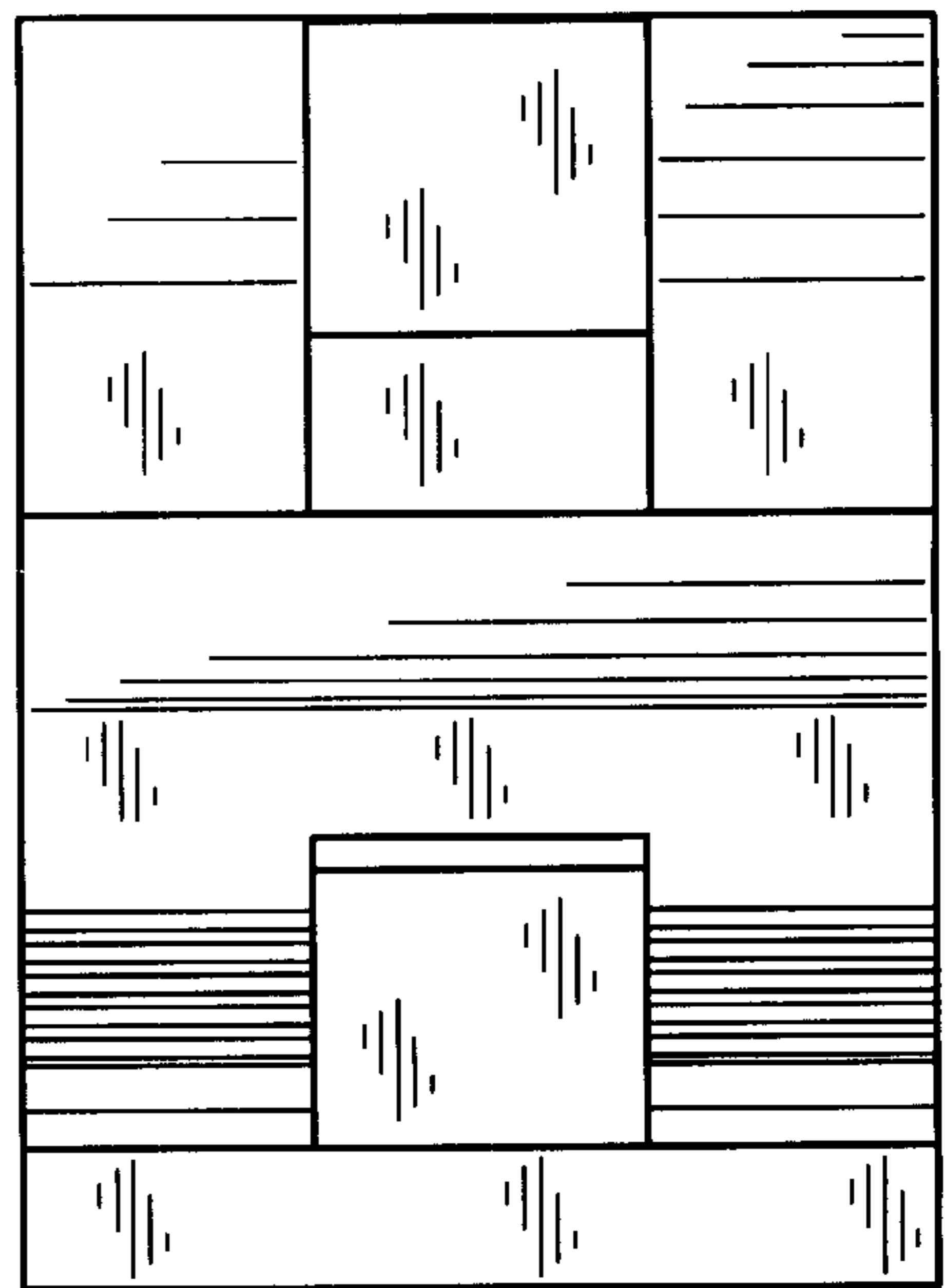


FIG. 7

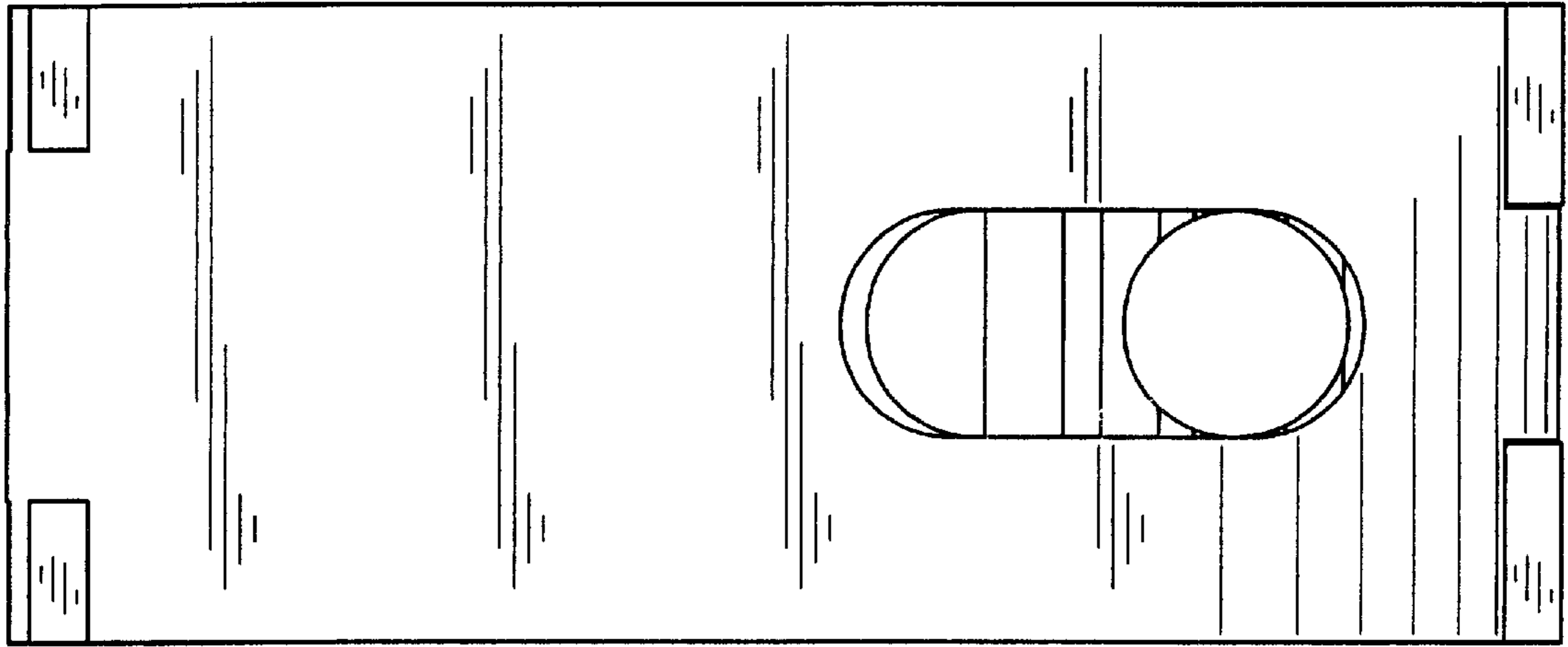


FIG. 8

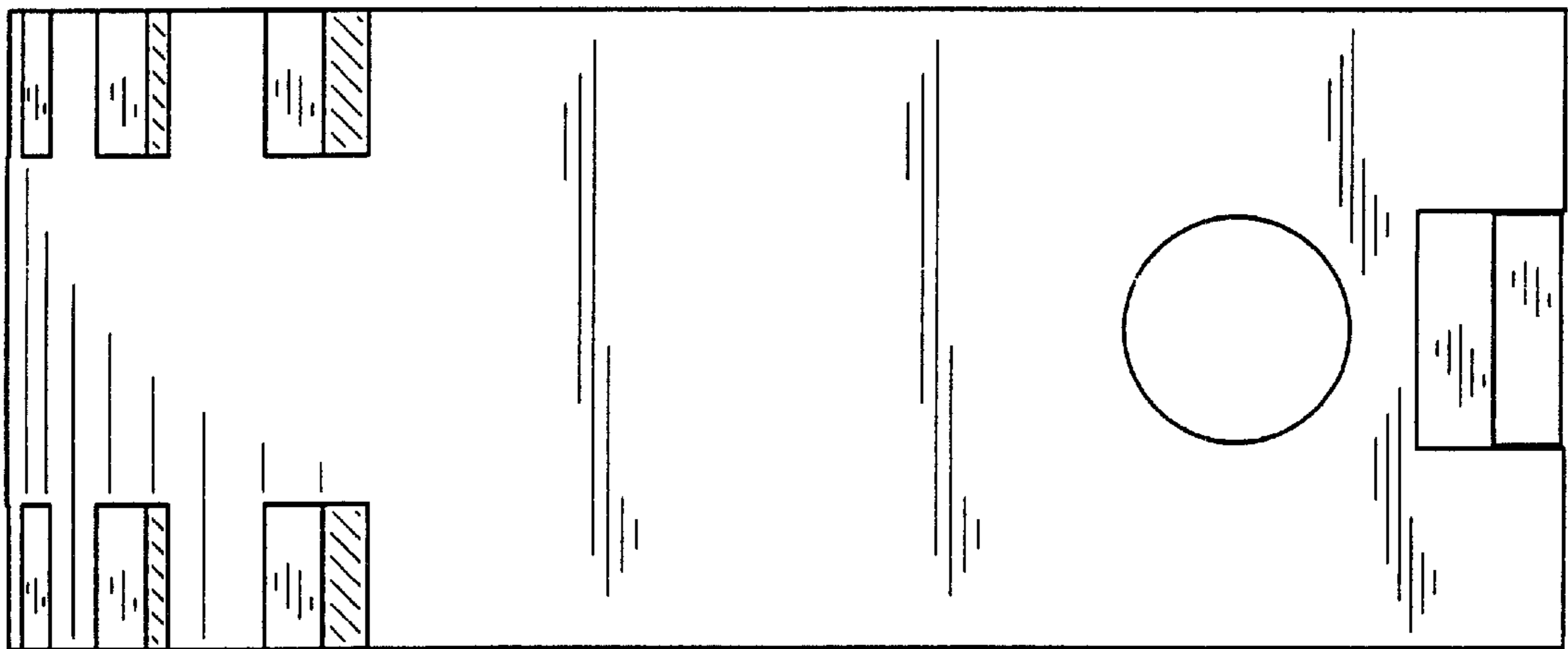


FIG. 9