



US00D484399S

(12) **United States Design Patent**
Arthur

(10) **Patent No.:** **US D484,399 S**

(45) **Date of Patent:** **** Dec. 30, 2003**

(54) **ADJUSTABLE CLAMPING BRACKET**

(75) Inventor: **Haig Arthur**, Acacia Hills (AU)

(73) Assignee: **Stack-Cast, LLC**, Dover, DE (US)

(**) Term: **14 Years**

(21) Appl. No.: **29/176,438**

(22) Filed: **Feb. 21, 2003**

(30) **Foreign Application Priority Data**

Aug. 23, 2002 (AU) 2600/02

(51) **LOC (7) Cl.** **08-08**

(52) **U.S. Cl.** **D8/394; D8/72**

(58) **Field of Search** D8/14, 71, 72,
D8/373, 394; 249/189; 52/DIG. 1, 741.15,
745.09; 269/46

(56) **References Cited**

U.S. PATENT DOCUMENTS

- D232,698 S * 9/1974 Lawlor D8/72
- D237,775 S * 11/1975 Hitomi D8/72
- D256,661 S * 9/1980 Graham D8/14
- 6,247,677 B1 * 6/2001 Vinet et al. 249/189

6,434,813 B1 * 8/2002 Grabmeister 52/DIG. 1

* cited by examiner

Primary Examiner—Louis S. Zarfes

Assistant Examiner—Gregory Andoll

(74) *Attorney, Agent, or Firm*—Brown, Martin, Haller & McClain LLP

(57) **CLAIM**

The ornamental design for an adjustable clamping bracket, as shown.

DESCRIPTION

FIG. 1 is an underside perspective view of an adjustable clamping bracket showing my new design;

FIG. 2 is an underside view of the bracket as shown in FIG. 1;

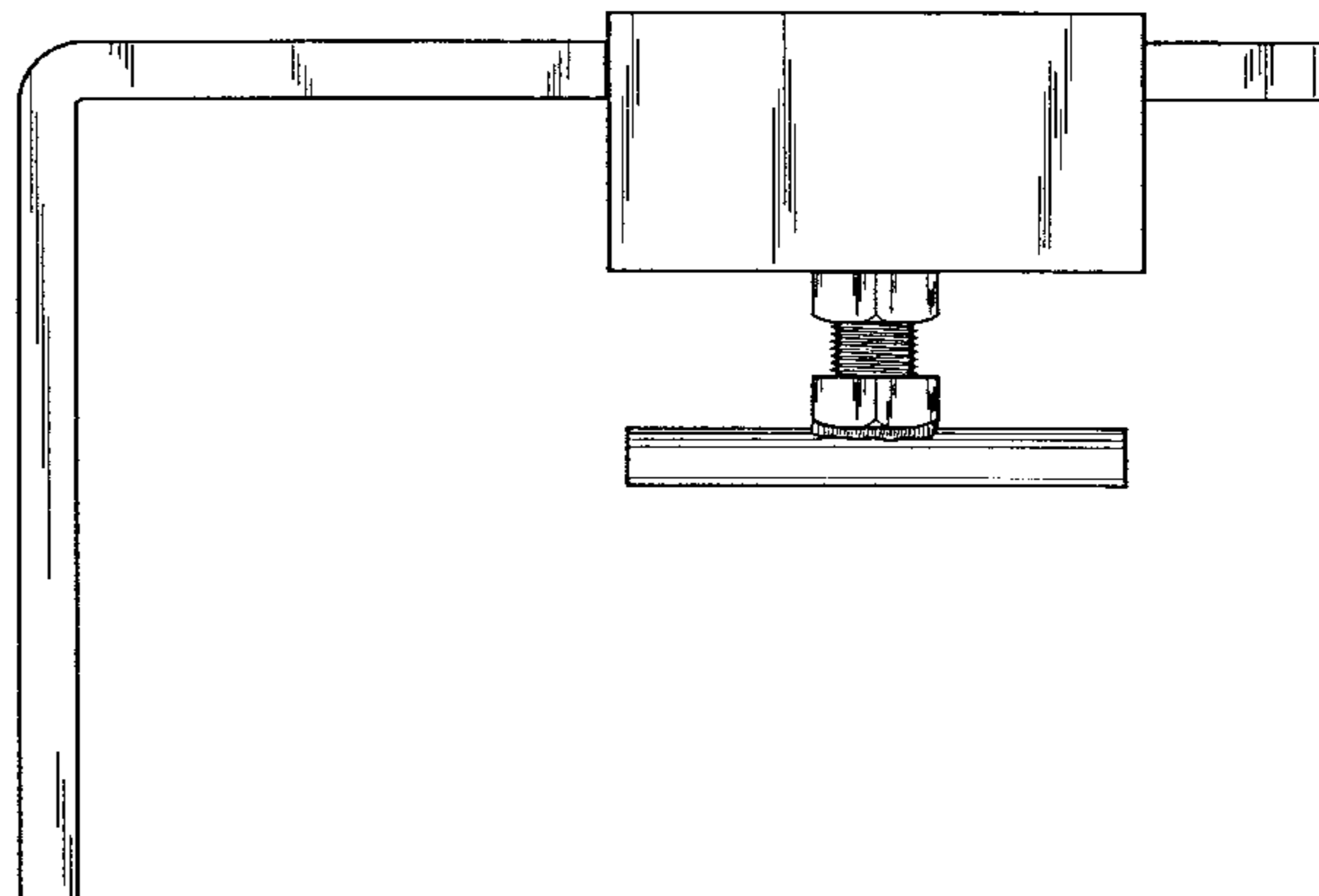
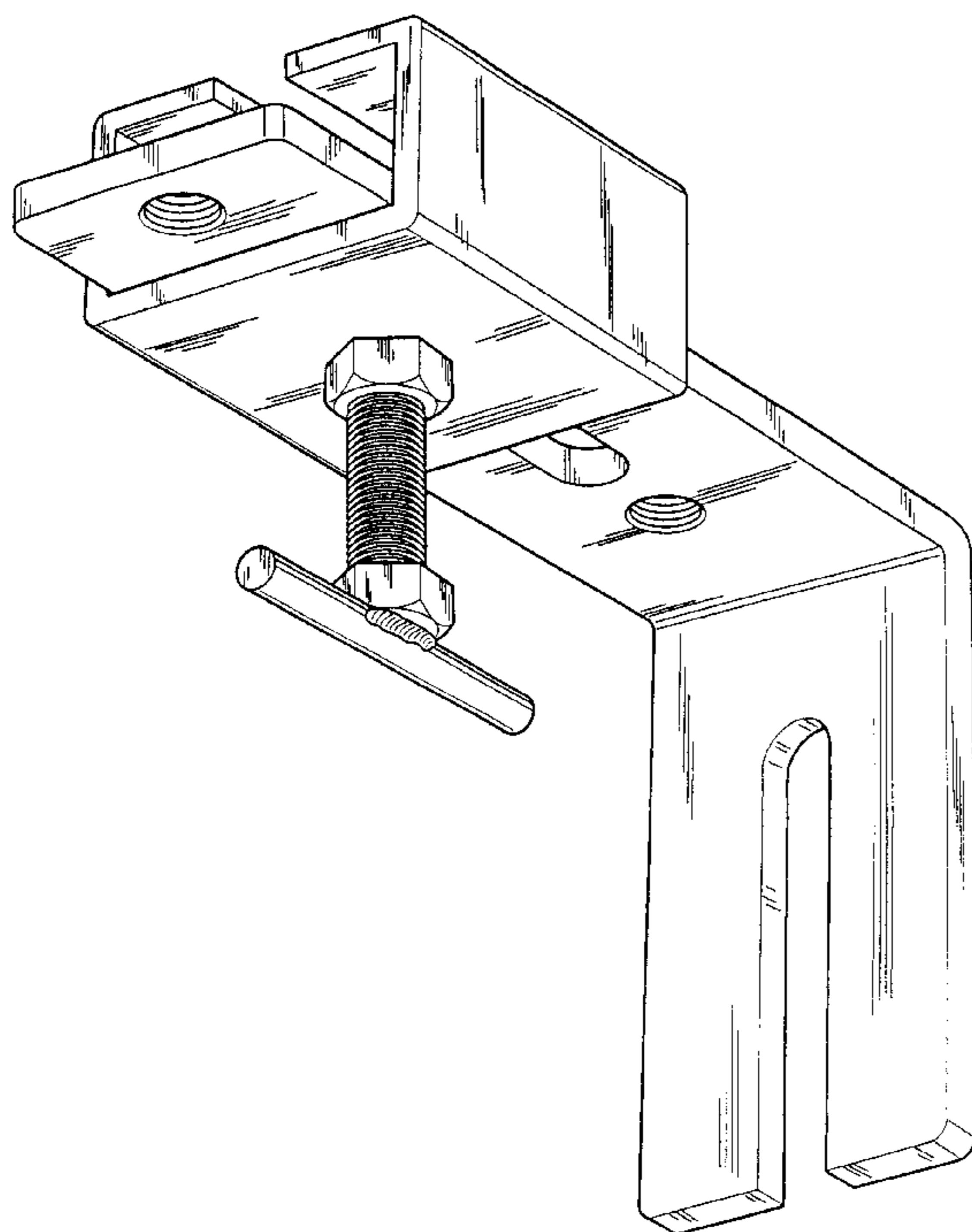
FIG. 3 is a top elevational view of the bracket as shown in FIG. 1;

FIG. 4 is a side elevational view of the bracket shown in a different position;

FIG. 5 is an end elevational view of the bracket as shown in FIG. 4; and,

FIG. 6 is a top perspective view of the bracket as shown in FIG. 4.

1 Claim, 3 Drawing Sheets



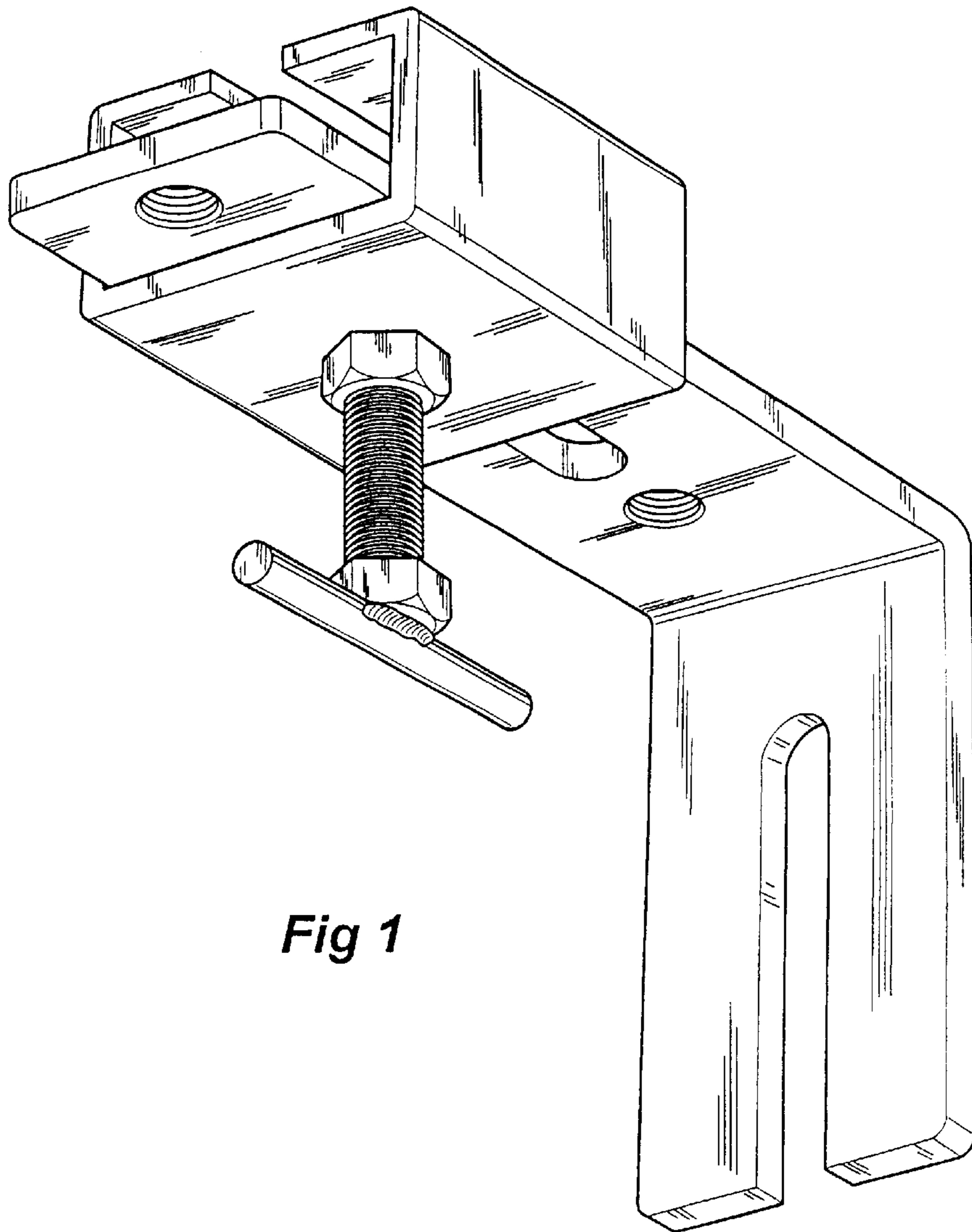


Fig 1

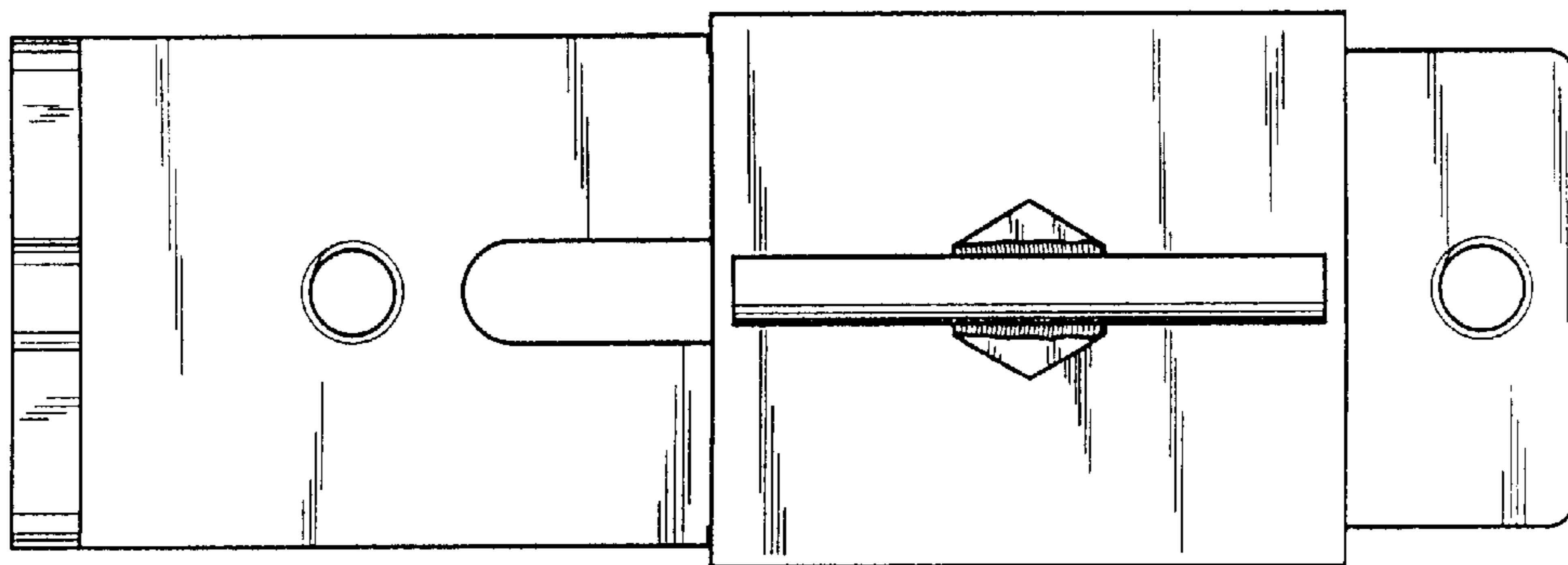


Fig 2

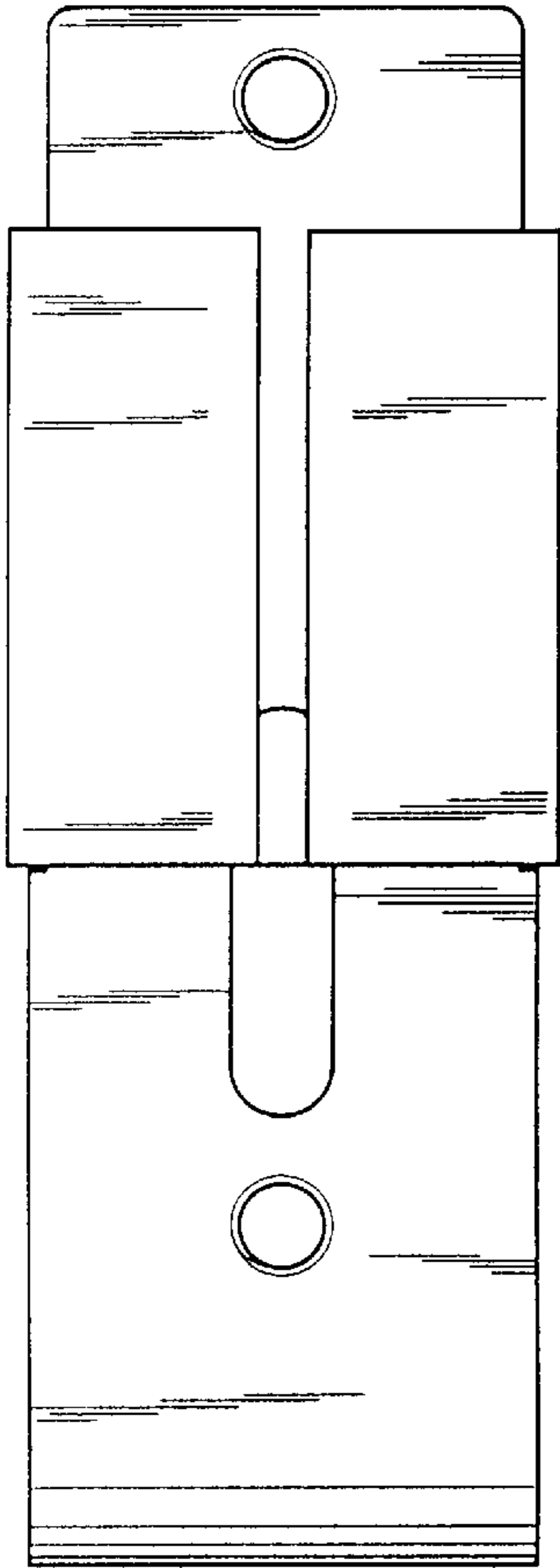


Fig 3

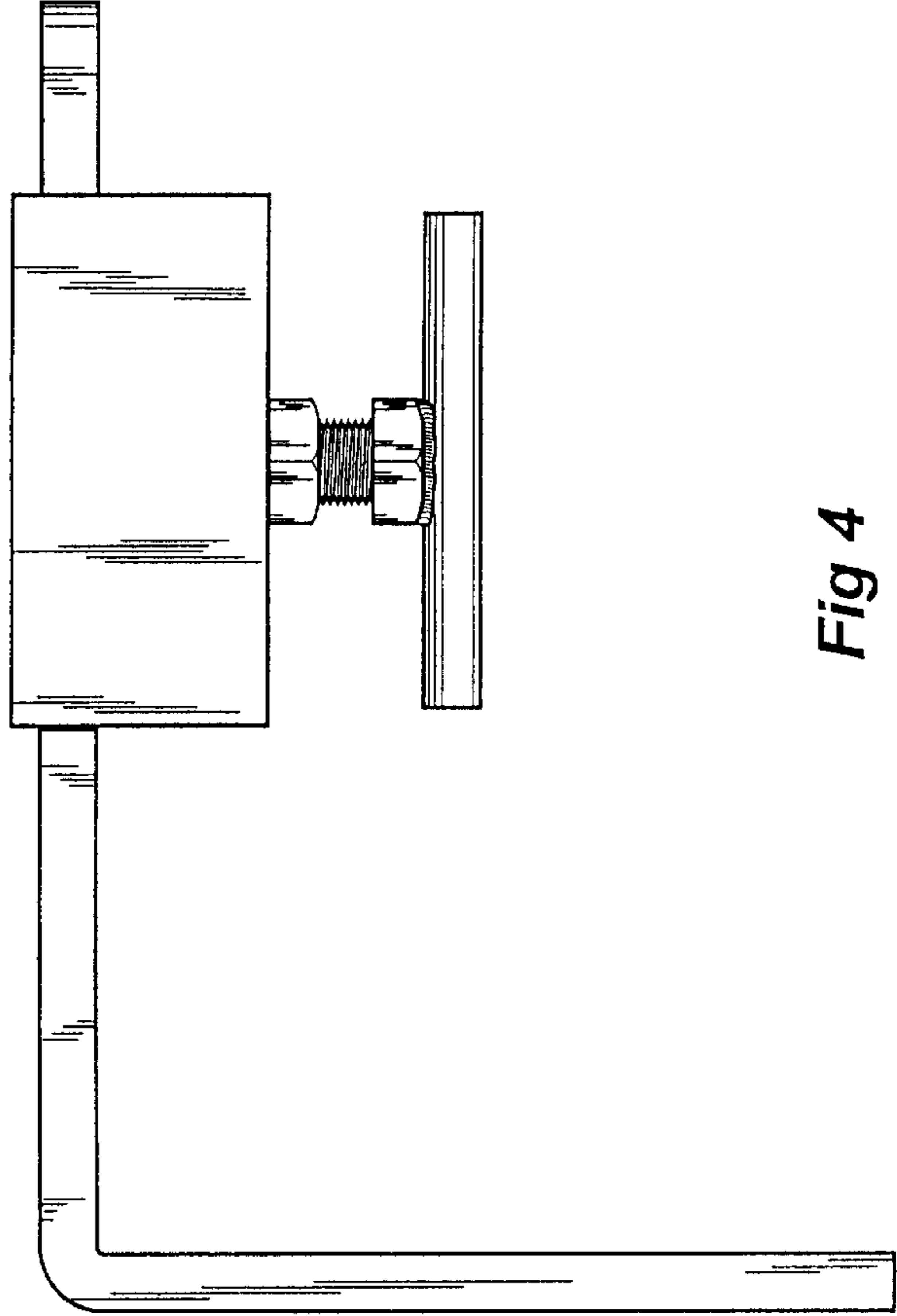


Fig 4

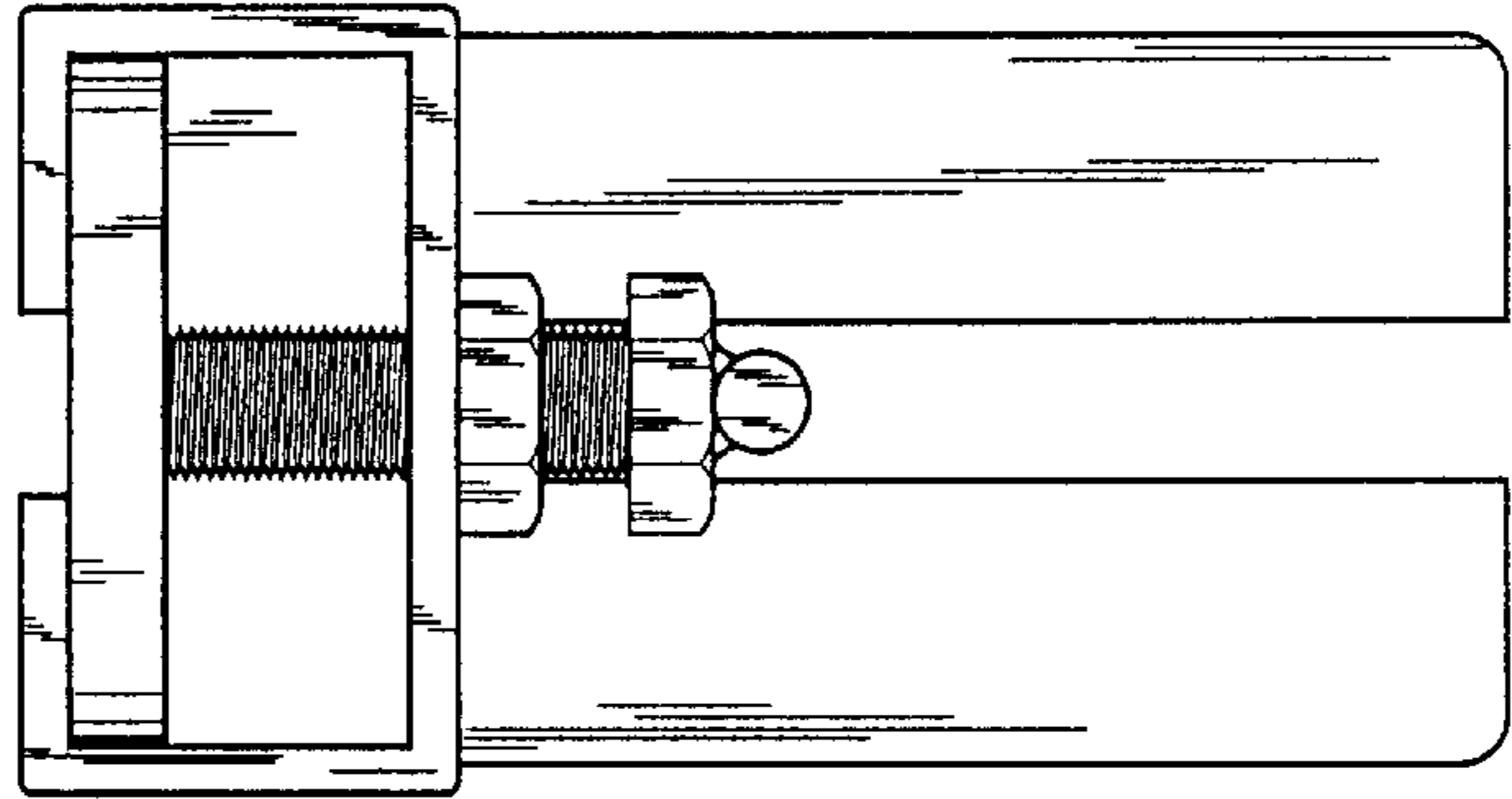


Fig 5

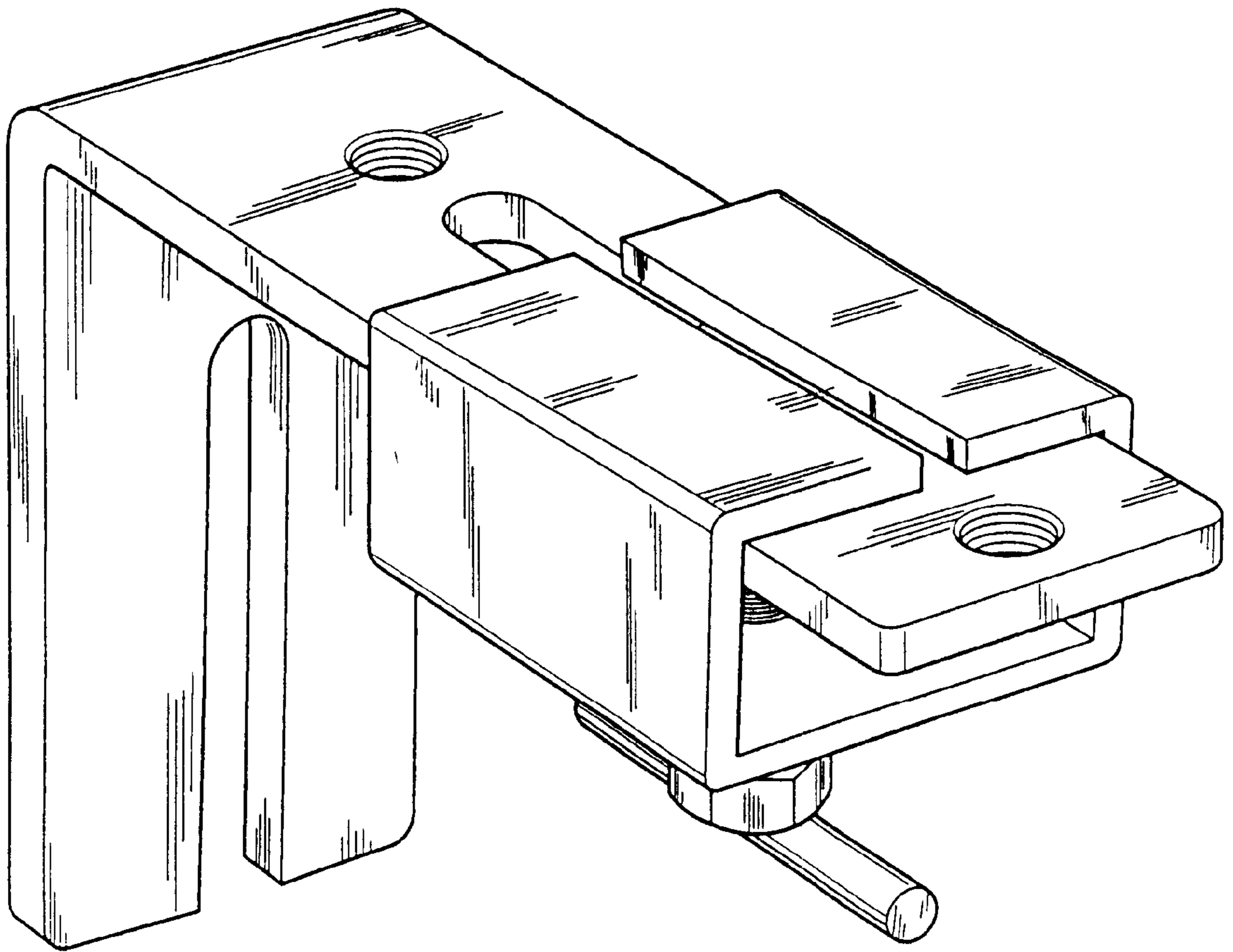


Fig 6