



US00D484398S

(12) **United States Design Patent**
Mariconti et al.

(10) **Patent No.:** **US D484,398 S**

(45) **Date of Patent:** **** Dec. 30, 2003**

(54) **PIN ASSEMBLY FOR TOWELS, SHEETS AND THE LIKE**

5,170,641 A * 12/1992 DiDomenico 63/1.17
5,309,737 A * 5/1994 Fountoulakis 63/12

(76) Inventors: **Donna J. Mariconti**, 348 Burr Rd.,
Commack, NY (US) 11725; **Peter L. Mariconti**, 348 Burr Rd., Commack,
NY (US) 11725

* cited by examiner

Primary Examiner—Holly Baynham

(**) Term: **14 Years**

(57) **CLAIM**

The ornamental design for a pin assembly for towels, sheets and the like, as shown and described.

(21) Appl. No.: **29/156,906**

DESCRIPTION

(22) Filed: **Mar. 8, 2002**

(51) **LOC (7) Cl.** **08-08**

(52) **U.S. Cl.** **D8/388**

(58) **Field of Search** D8/388, 391; D11/47,
D11/223, 88; 63/12; 411/487, 473

FIG. 1 is a front elevational view of a pin assembly for towels, sheets and the like showing my new design;
FIG. 2 is a rear elevational view thereof;
FIG. 3 is a side view, taken from the left side of FIG. 1, the right side view being a mirror image thereof;
FIG. 4 is a top plan view of my pin assembly, the bottom plan view being a mirror image thereof; and,
FIG. 5 is a reduced scale perspective view of my pin assembly in use.

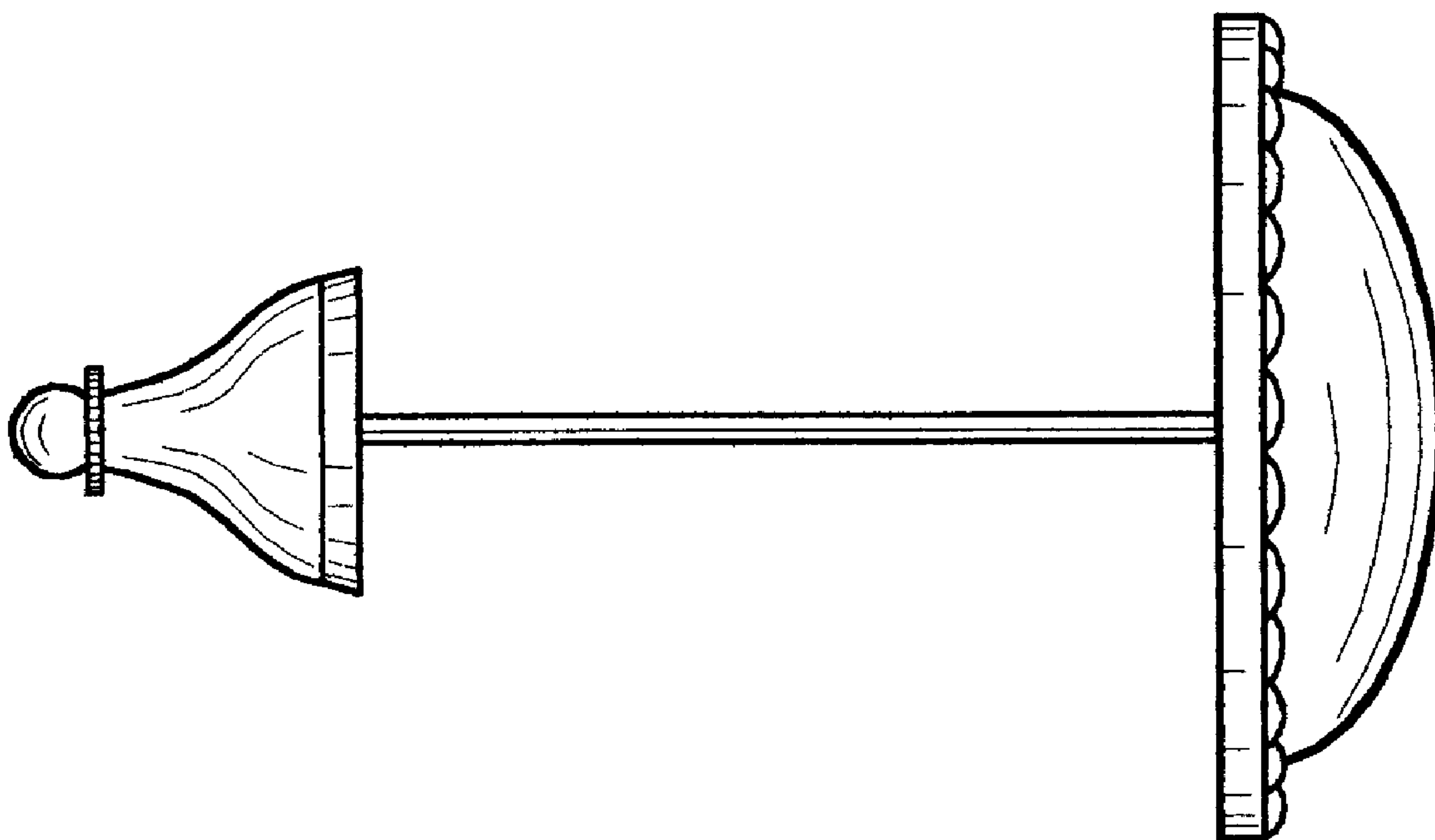
(56) **References Cited**

U.S. PATENT DOCUMENTS

1,306,279 A * 6/1919 Rohland 411/473
4,507,344 A * 3/1985 Baughman 428/99
4,593,540 A * 6/1986 Cuvar et al. 63/12
4,630,452 A * 12/1986 Connelly et al. 63/12
5,140,840 A * 8/1992 Miceli 63/12

The broken line showing a towel and towel bar in FIG. 5 is for illustrative purposes only and forms no part of the claimed design.

1 Claim, 2 Drawing Sheets



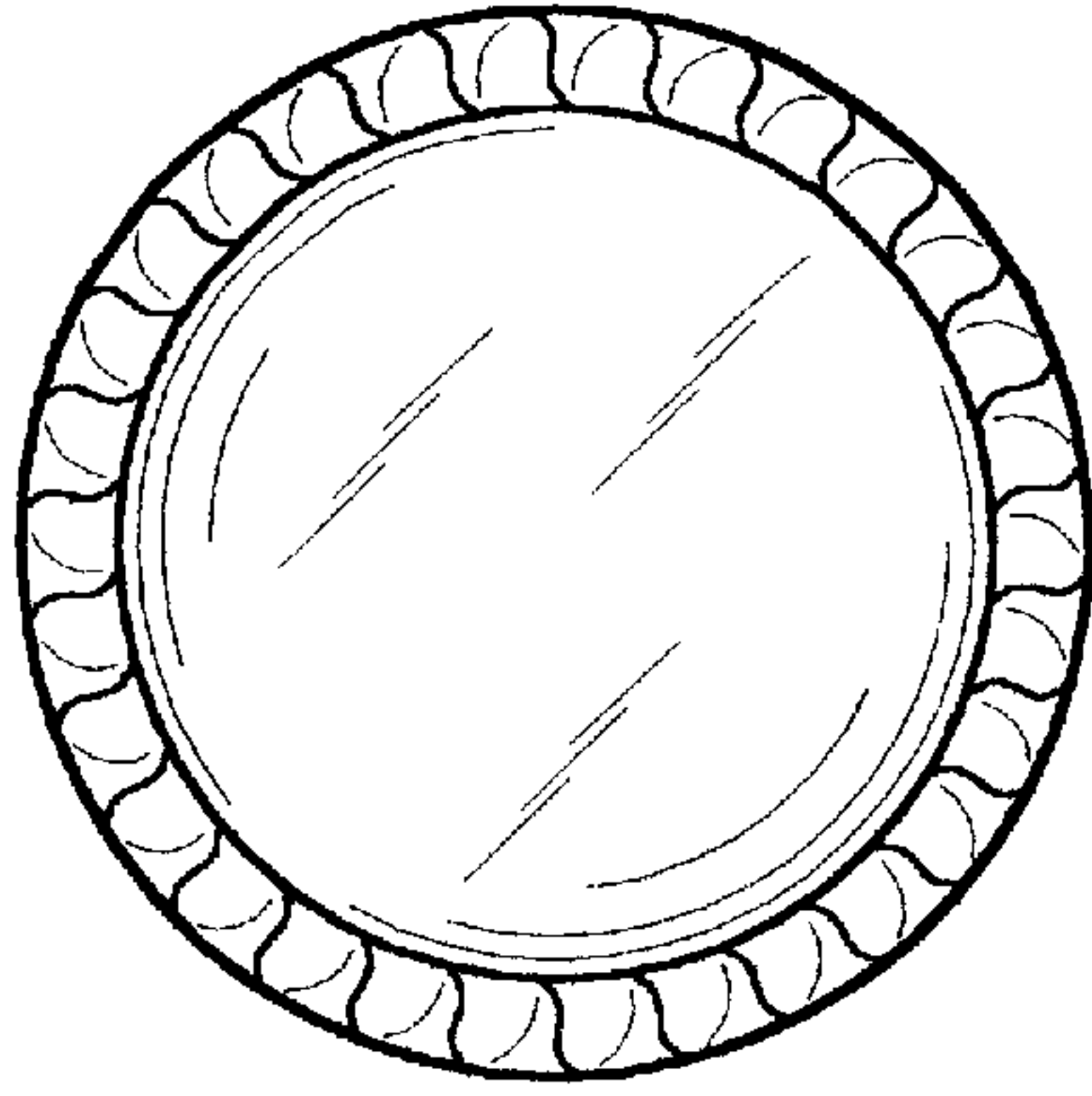


FIG. 1

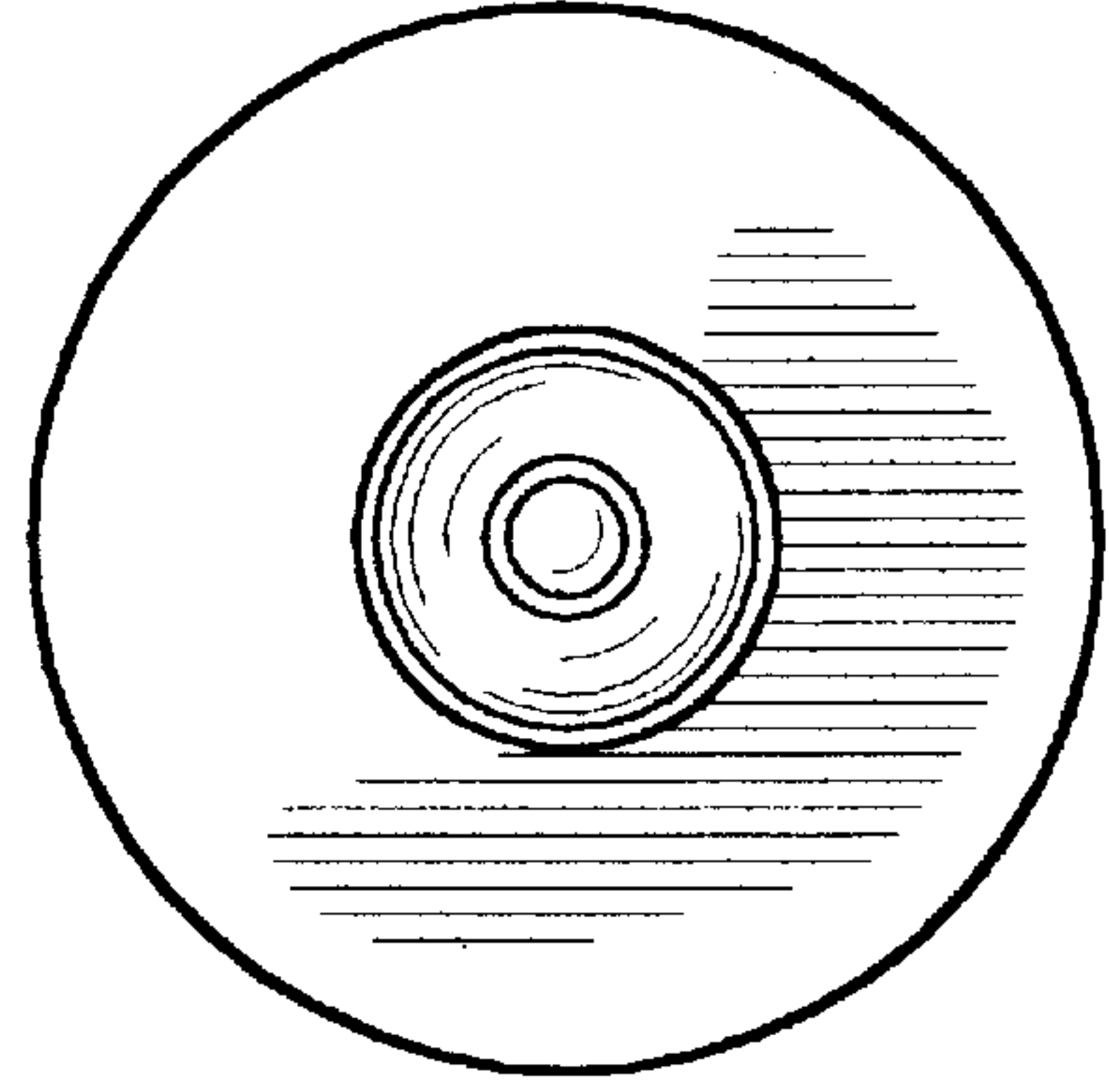


FIG. 2

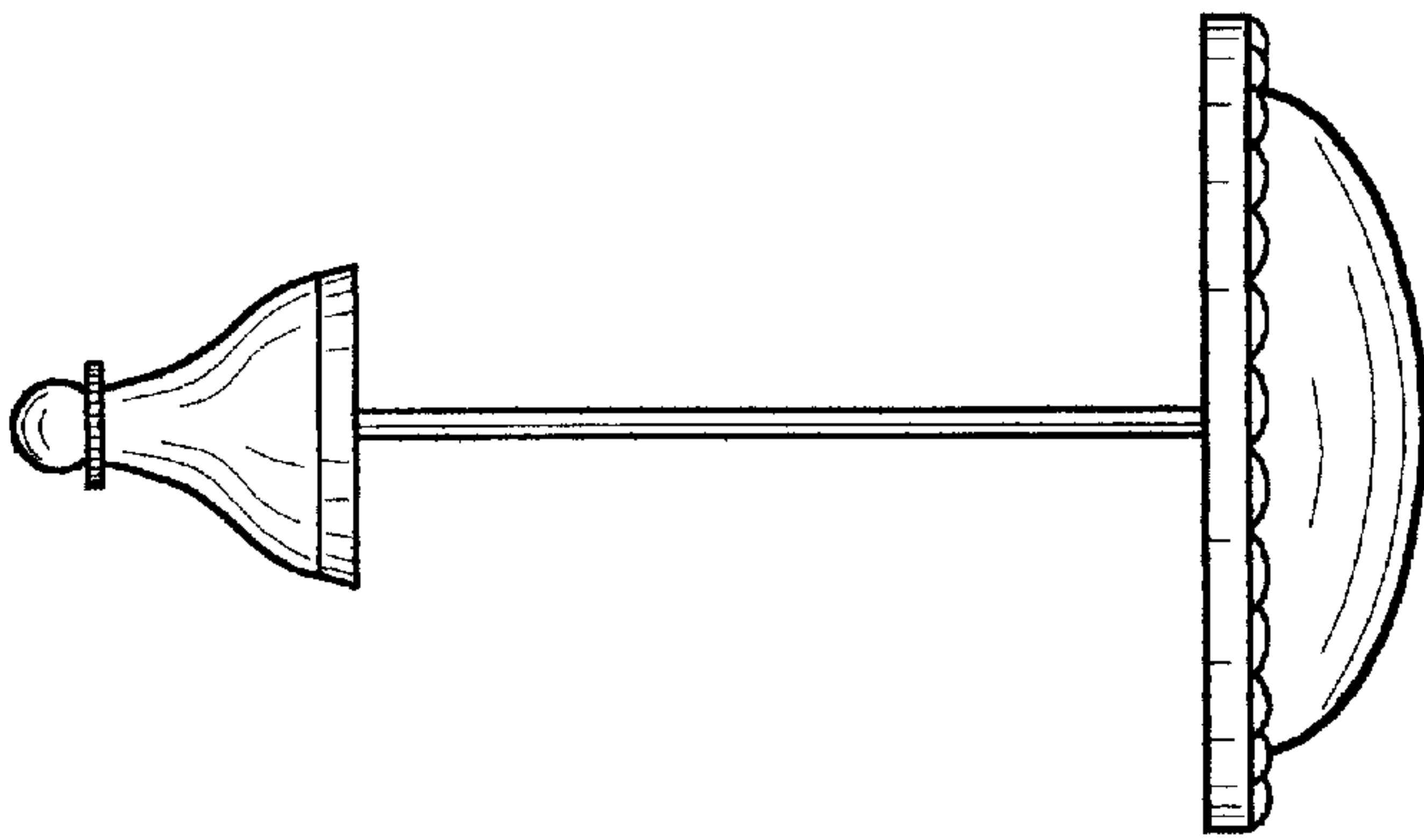


FIG. 3

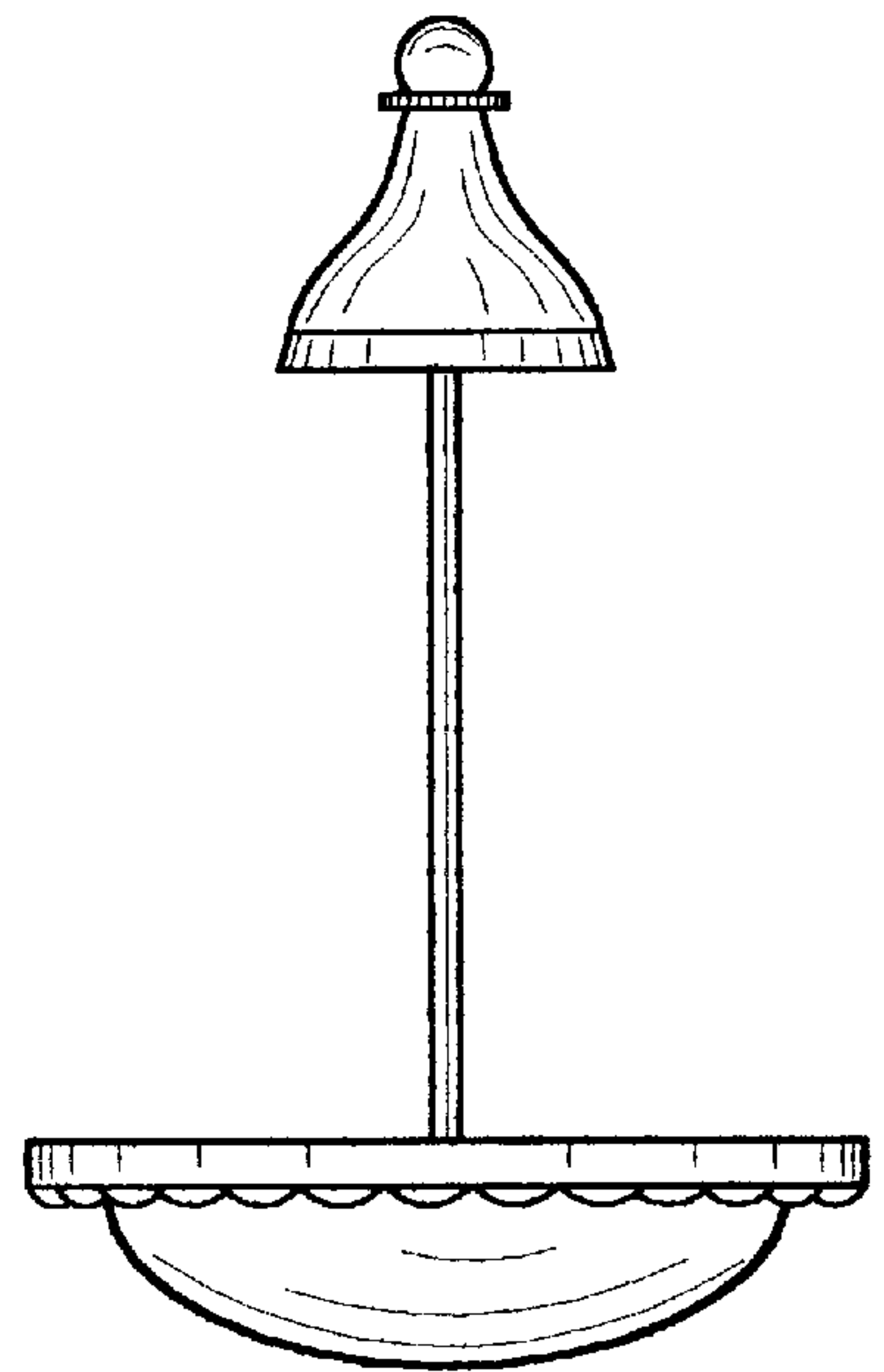


FIG. 4

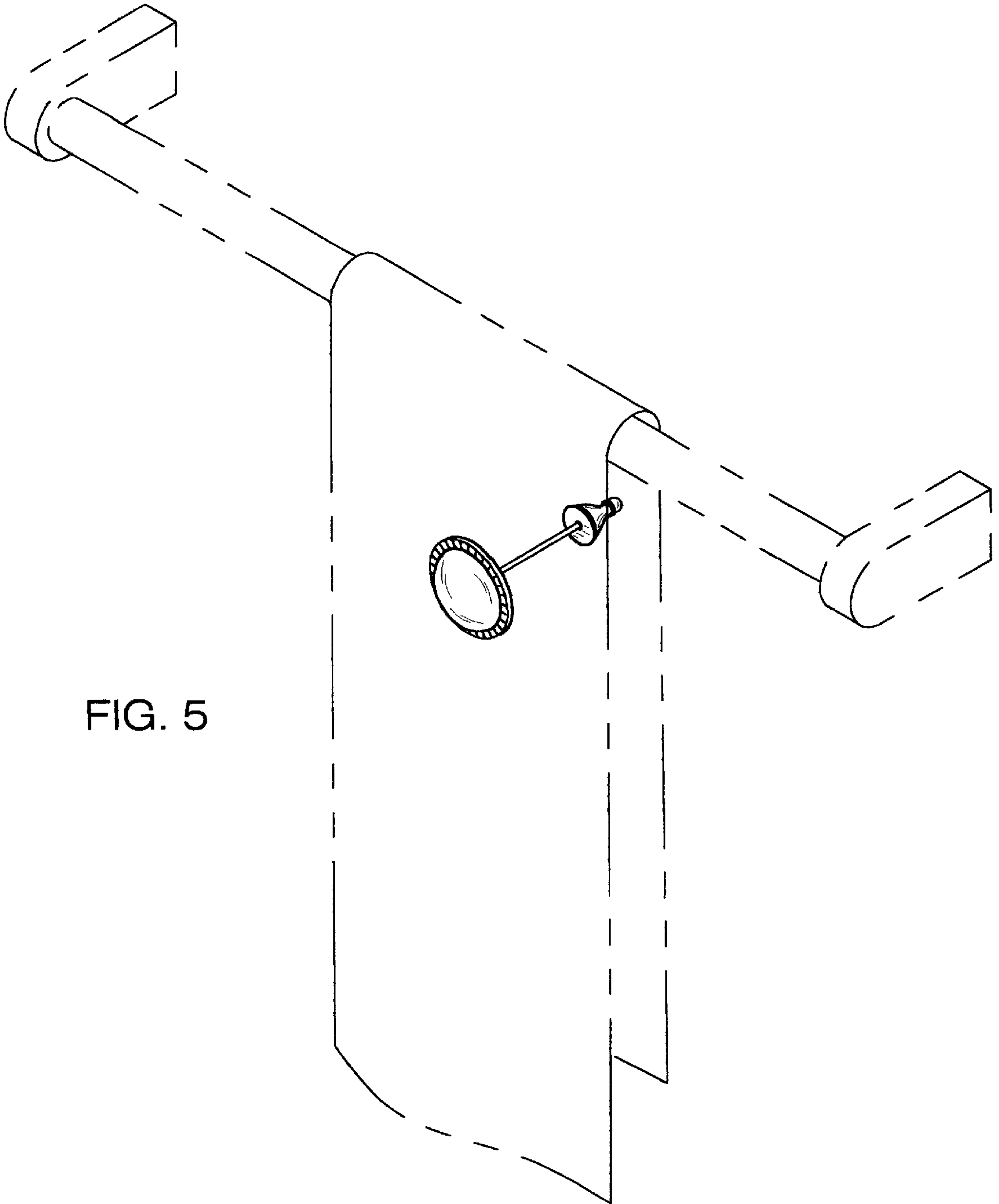


FIG. 5