



US00D484395S

(12) **United States Design Patent**
Felsenthal

(10) **Patent No.:** **US D484,395 S**

(45) **Date of Patent:** **** Dec. 30, 2003**

(54) **CLIP WITH SUCTION CUP**

(76) **Inventor:** **Sandy A. Felsenthal**, 5428
Collingwood Cove, Memphis, TN (US)
38117

(**) **Term:** **14 Years**

(21) **Appl. No.:** **29/172,452**

(22) **Filed:** **Dec. 12, 2002**

(51) **LOC (7) Cl.** **08-08**

(52) **U.S. Cl.** **D8/373**

(58) **Field of Search** D8/373, 395; D6/328;
D19/65; 248/206.5, 206.3, 205.4, 206.2,
205.5; 24/67.7, 499, 511

(56) **References Cited**

U.S. PATENT DOCUMENTS

D264,662 S * 6/1982 Bisk et al. D6/328
4,878,276 A * 11/1989 Morrish et al. 24/511
D316,333 S * 4/1991 Maki D6/328

5,075,935 A * 12/1991 Abdi 24/511
6,131,865 A * 10/2000 Adams 248/206.2
6,237,885 B1 * 5/2001 Mitchell 248/205.4

* cited by examiner

Primary Examiner—Holly Baynham
(74) *Attorney, Agent, or Firm*—Peter J. Georges; Todd A. Vaughn; Breneman & Georges

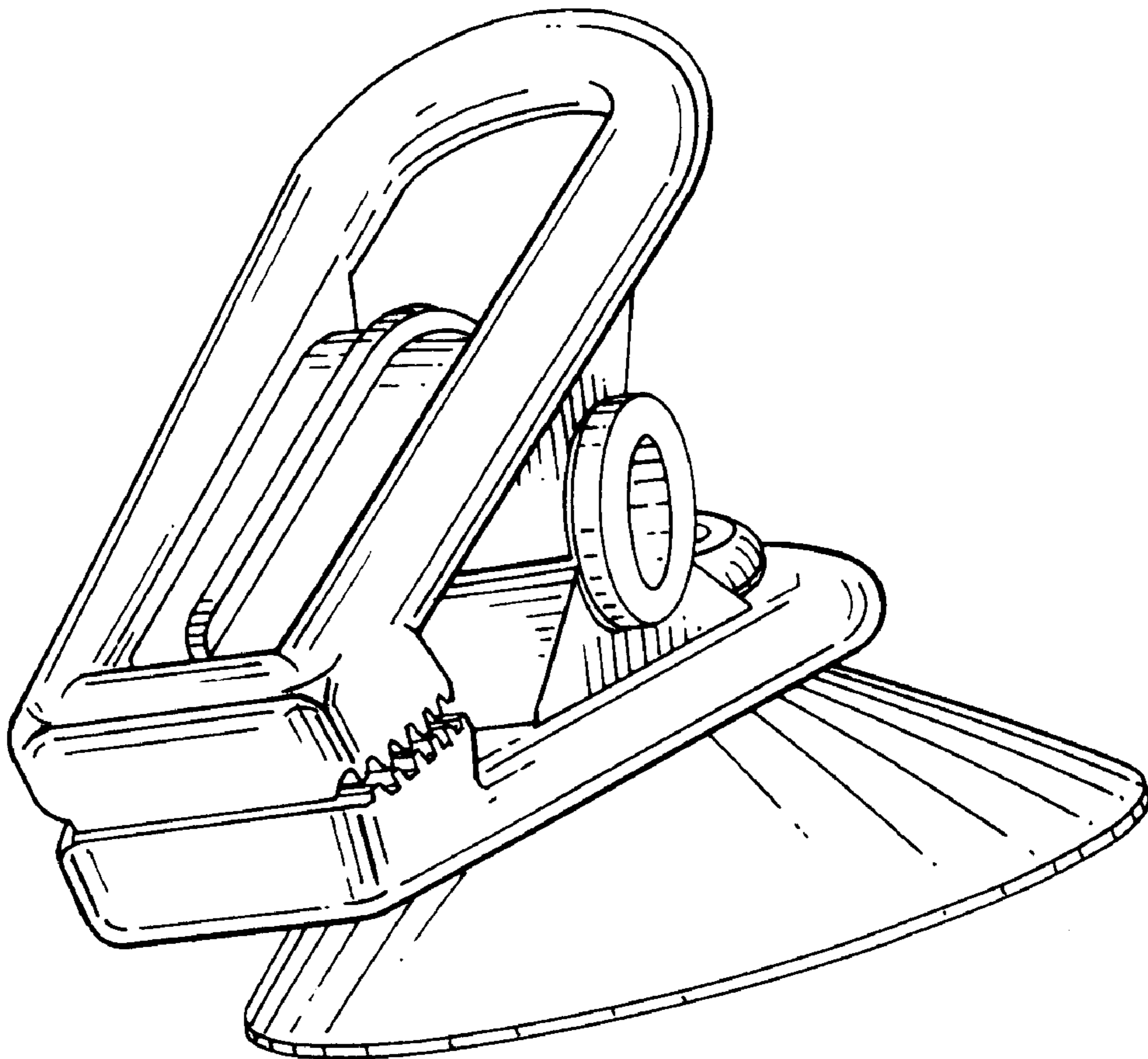
(57) **CLAIM**

The ornamental design for the clip with suction cup, as shown.

DESCRIPTION

FIG. 1 is a front perspective view of the present invention; FIG. 2 is a front elevation view of the invention; FIG. 3 is a rear elevation view of the invention; FIG. 4 is a left side elevation view of the invention; FIG. 5 is a top plan view of the invention; and, FIG. 6 is a bottom plan view of the present invention.

1 Claim, 6 Drawing Sheets



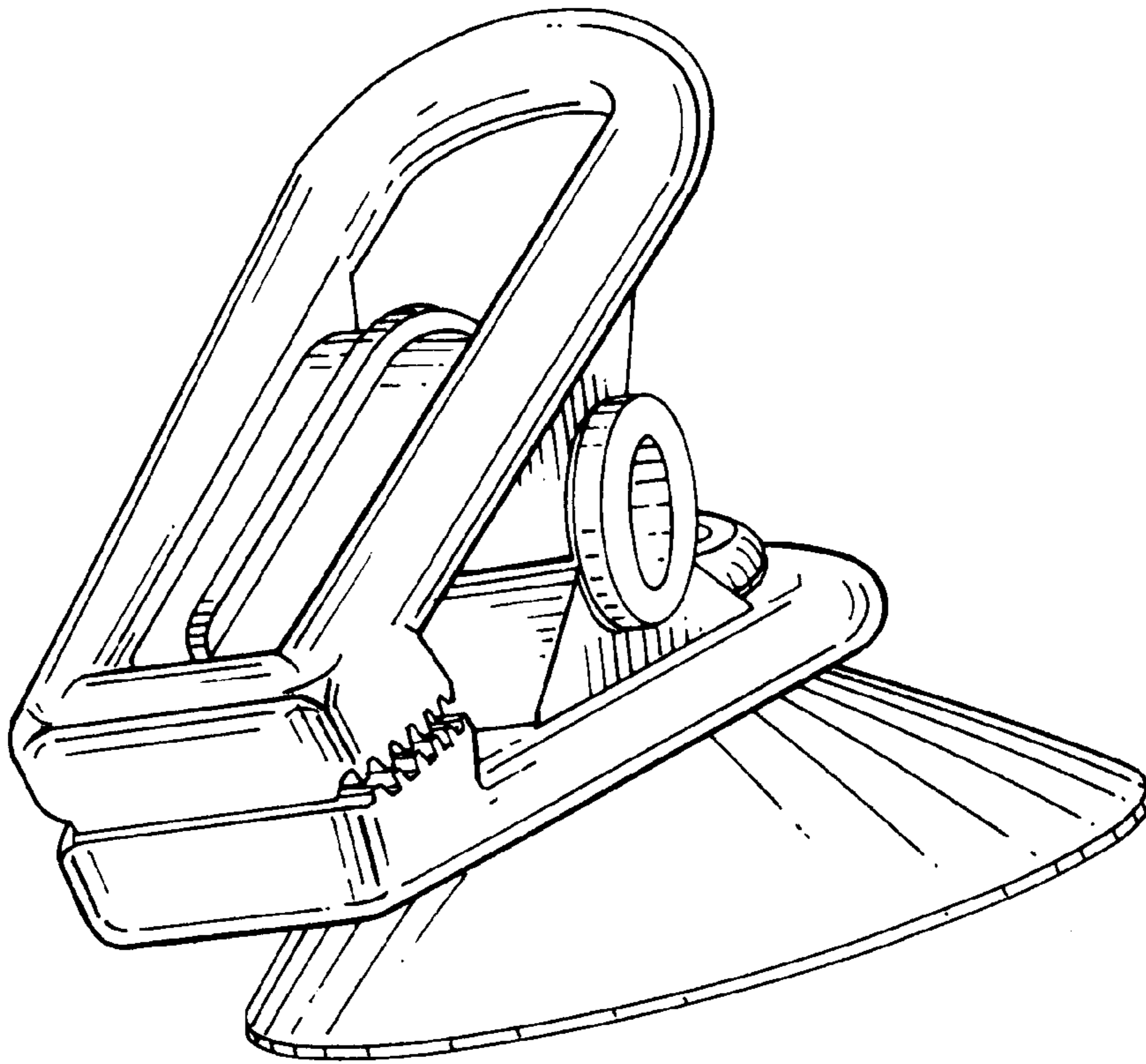


FIG. 1

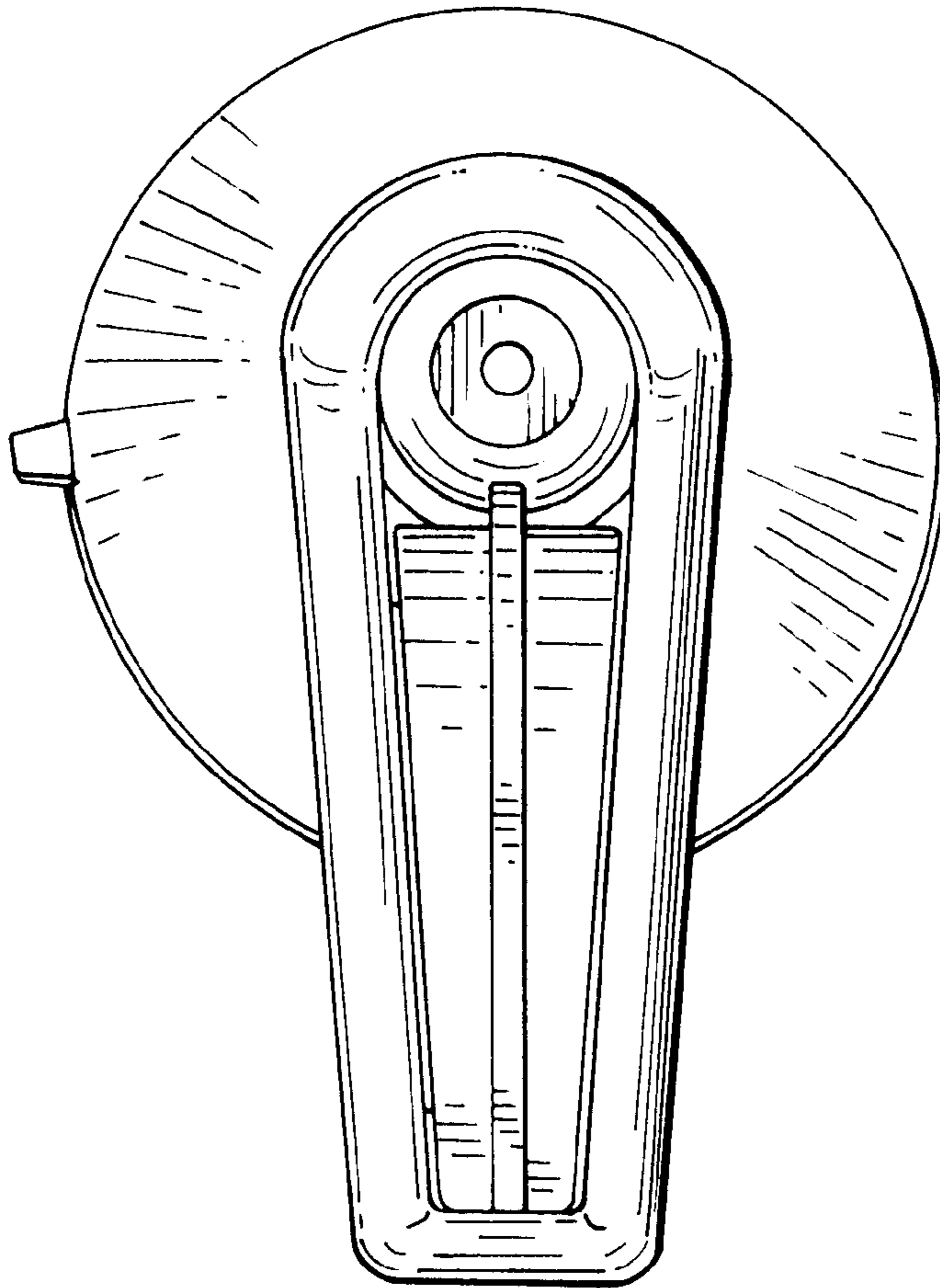


FIG. 2

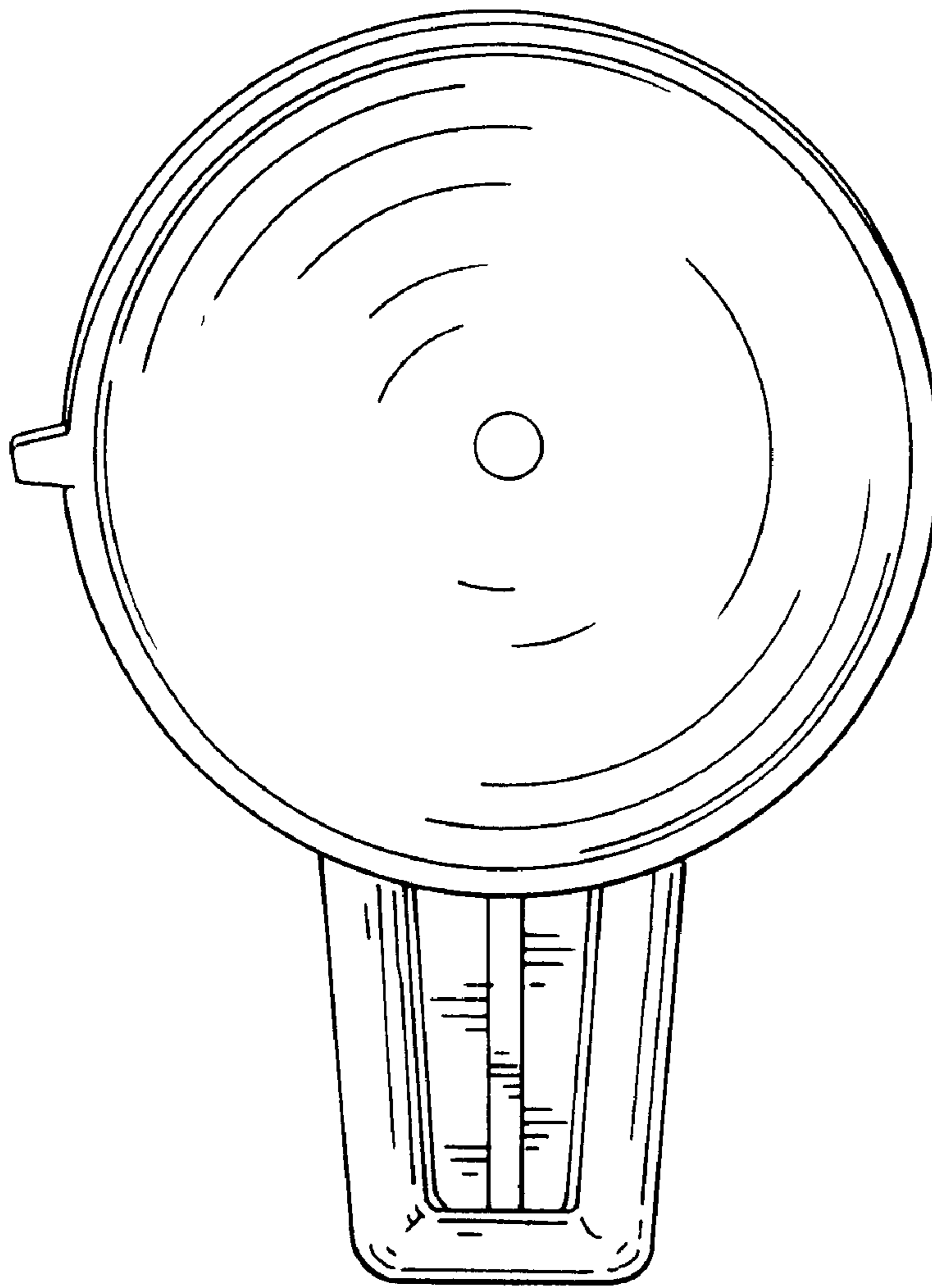


FIG. 3

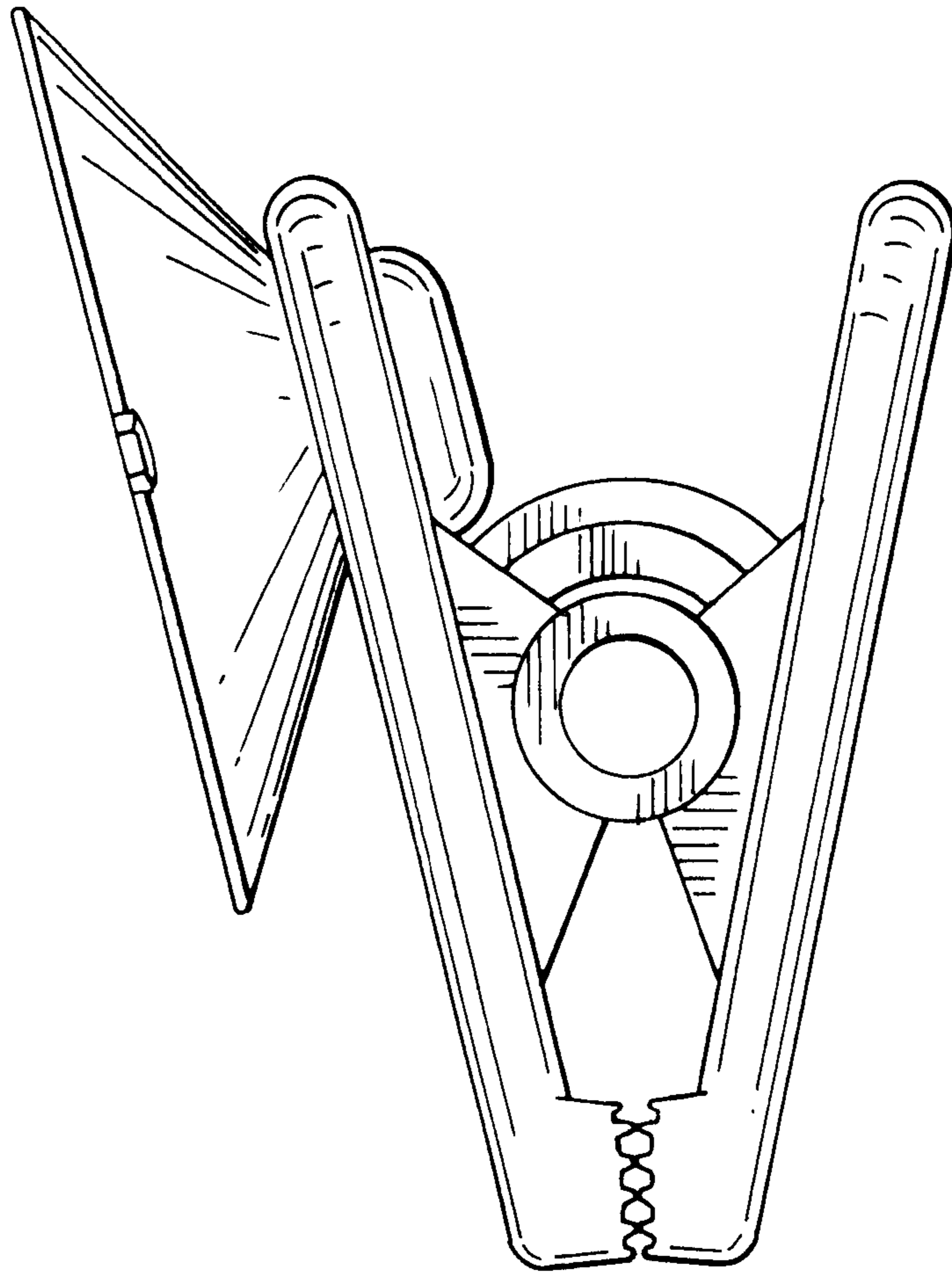


FIG. 4

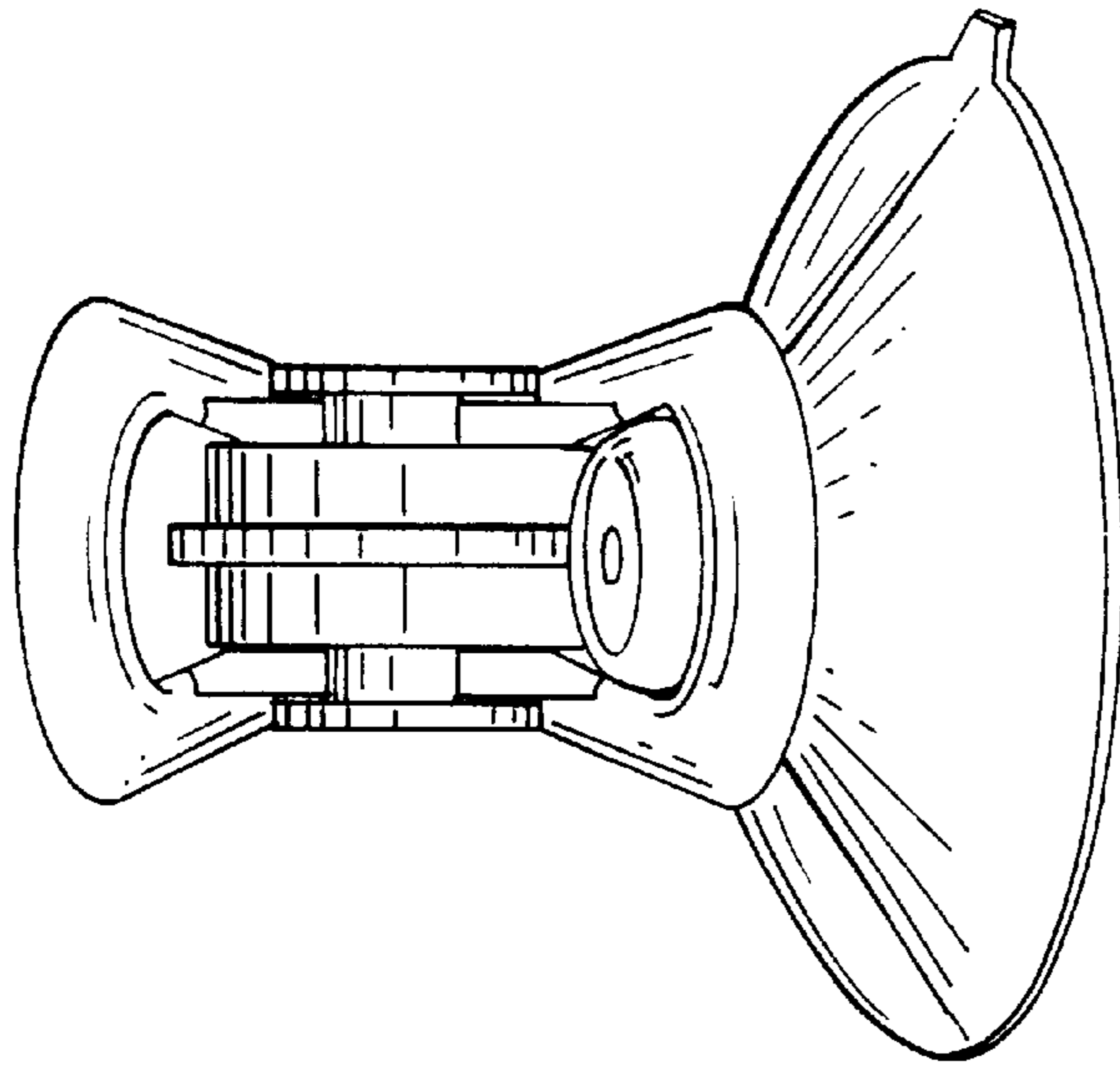


FIG. 5

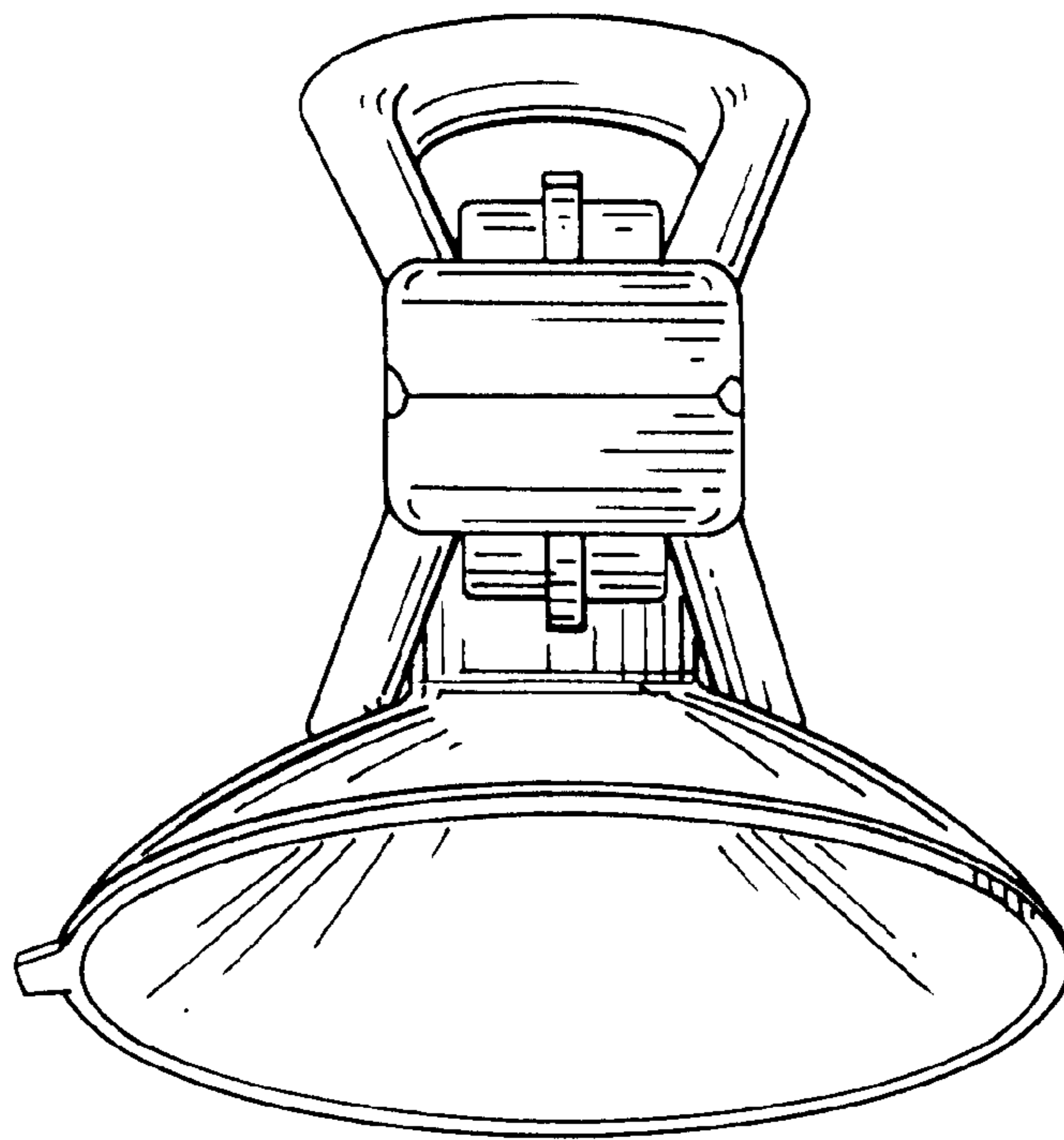


FIG. 6