



US00D484389S

(12) **United States Design Patent**
Evans

(10) **Patent No.:** **US D484,389 S**

(45) **Date of Patent:** **** Dec. 30, 2003**

(54) **FACE MOUNTED DEADBOLT**

(75) **Inventor:** **David J. Evans, Dee Why (AU)**

(73) **Assignee:** **D & D Group PTY Limited (AU)**

(**) **Term:** **14 Years**

(21) **Appl. No.:** **29/165,350**

(22) **Filed:** **Aug. 7, 2002**

(30) **Foreign Application Priority Data**

Feb. 7, 2002 (AU) 326/2002

(51) **LOC (7) Cl. 08-07**

(52) **U.S. Cl. D8/331**

(58) **Field of Search** D8/330, 331, 300-302,
D8/339-341; 70/91, 101, 102, 104, 106-111,
158, 288; 292/2, 32, 70, 137

(56) **References Cited**

U.S. PATENT DOCUMENTS

1,733,442 A * 10/1929 Bartholomew 70/106
2,656,704 A * 10/1953 Mancuso 292/57
D212,861 S * 12/1968 Raymond D8/341
D259,856 S * 7/1981 Clener D8/331
D285,772 S * 9/1986 Oliver D8/331
D312,957 S * 12/1990 Huang D8/341

D365,744 S * 1/1996 Leung D8/331

D380,136 S * 6/1997 Denzer, Jr. D8/341

5,787,741 A * 8/1998 Shen 70/107

D454,050 S * 3/2002 Kelly et al. D8/331

6,526,787 B2 * 3/2003 Ming-Chih 70/107

* cited by examiner

Primary Examiner—Prabhakar Deshmukh

(74) *Attorney, Agent, or Firm*—Kelly Bauersfeld Lowry & Kelley, LLP

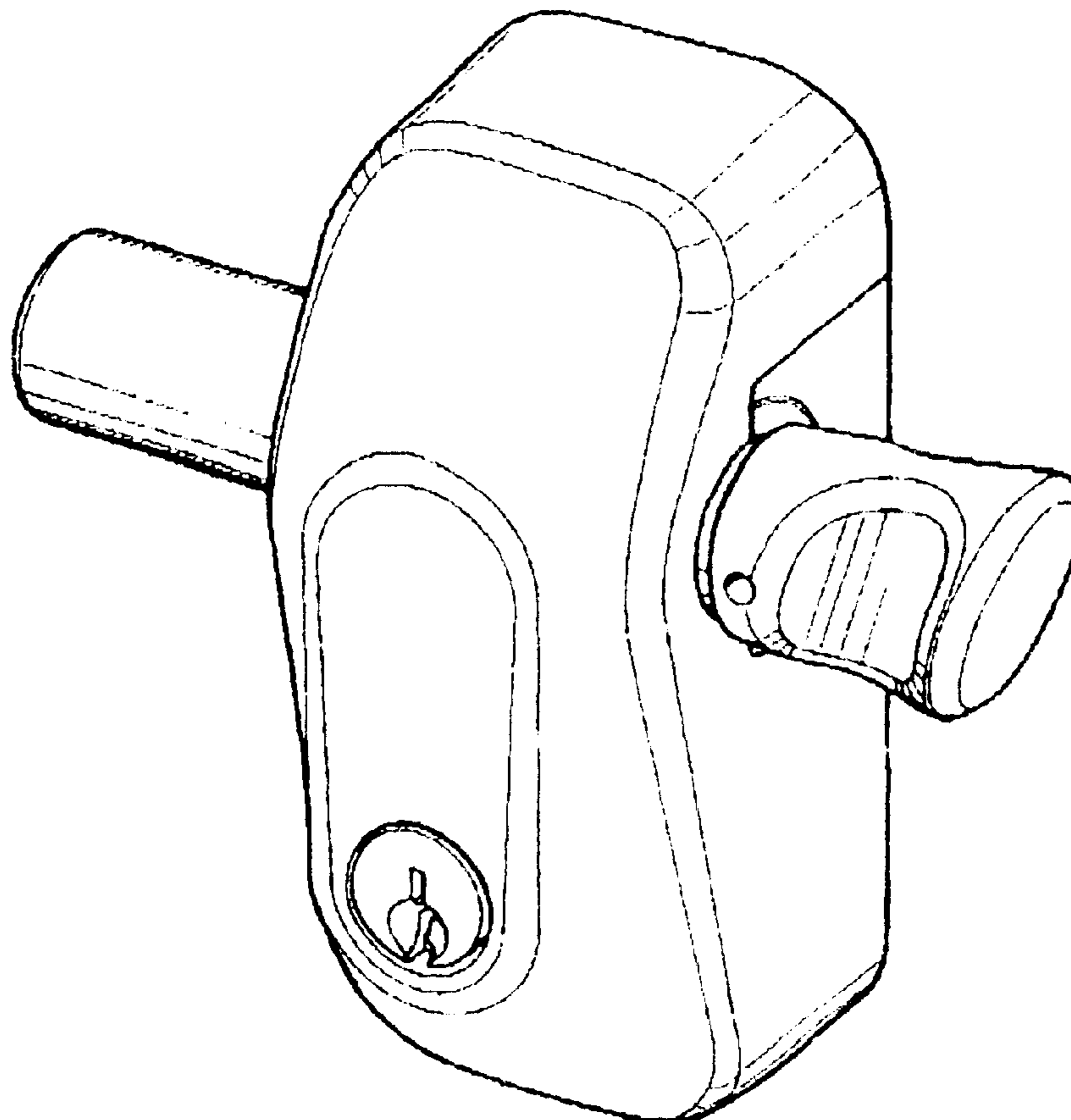
(57) **CLAIM**

The ornamental design for a face mounted deadbolt, as shown.

DESCRIPTION

FIG. 1 is a front, top and left side perspective view of the face mounted deadbolt embodying my new design;
FIG. 2 is a front elevational view thereof;
FIG. 3 is a left side elevational view thereof;
FIG. 4 is right side elevational view thereof;
FIG. 5 is a top plan view thereof;
FIG. 6 is a rear elevational view thereof;
FIG. 7 is a bottom plan view thereof; and,
FIG. 8 is a front, top and left side perspective view with the deadbolt in a second position.

1 Claim, 4 Drawing Sheets



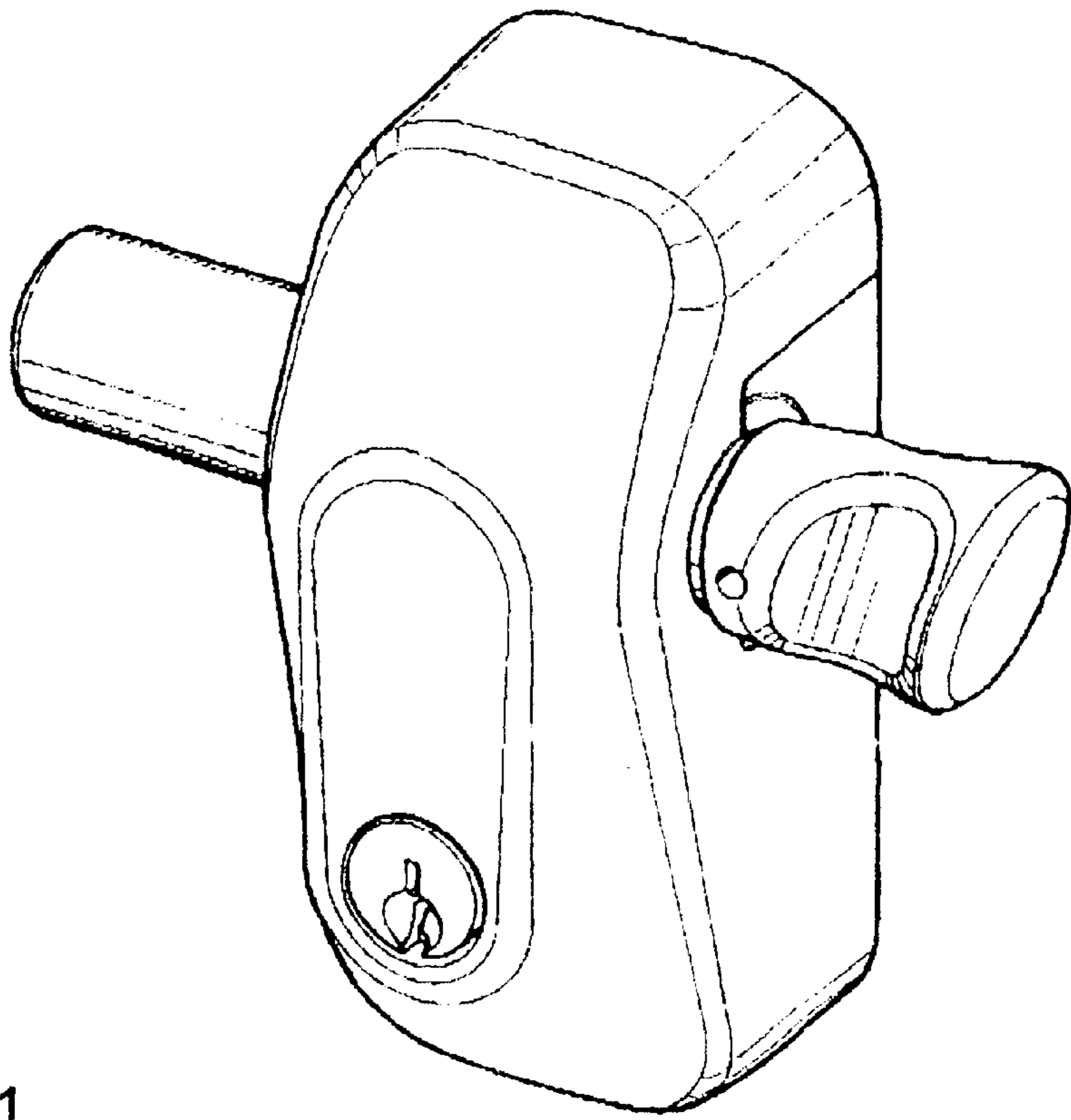


FIG. 1

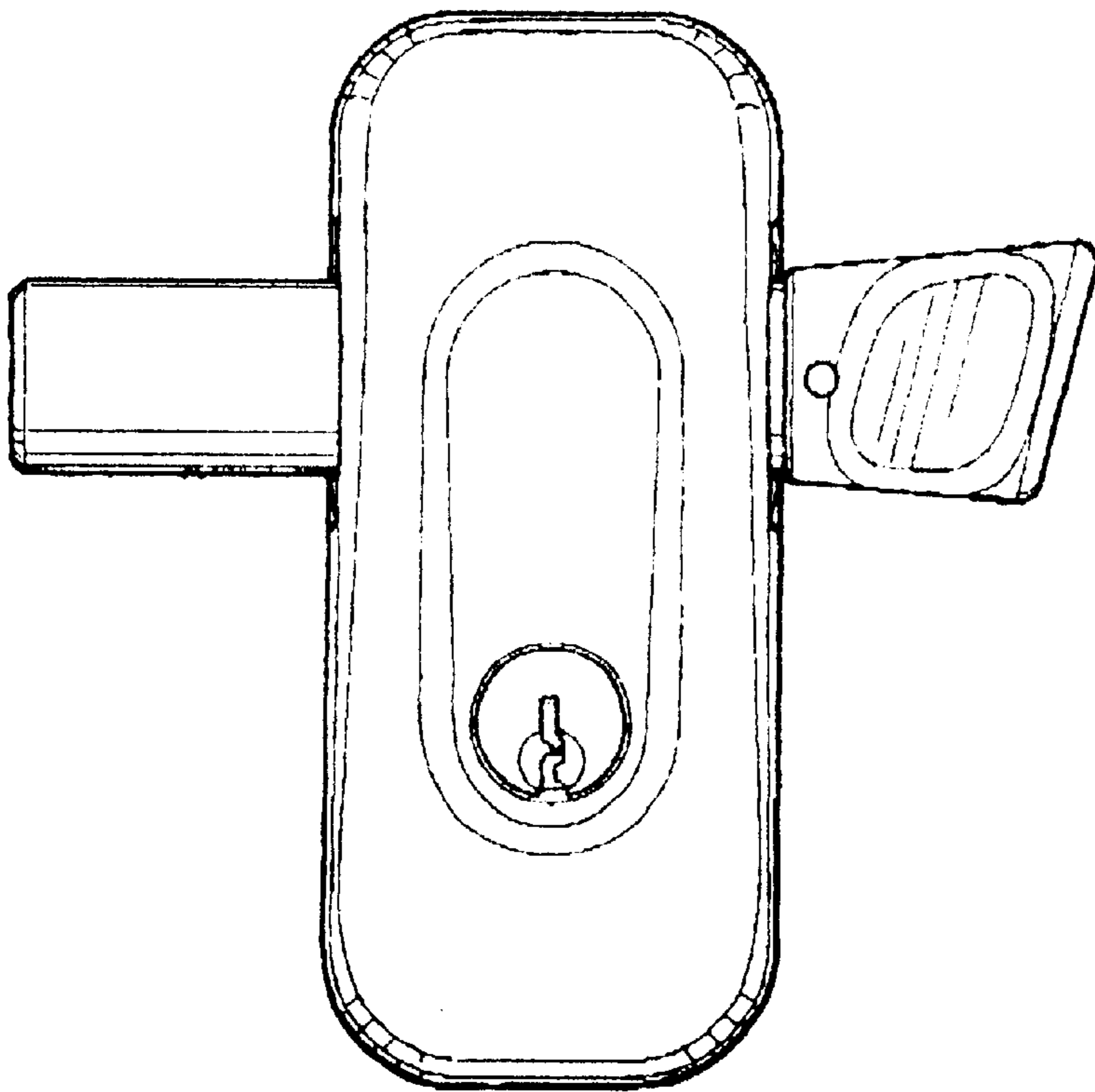


FIG. 2

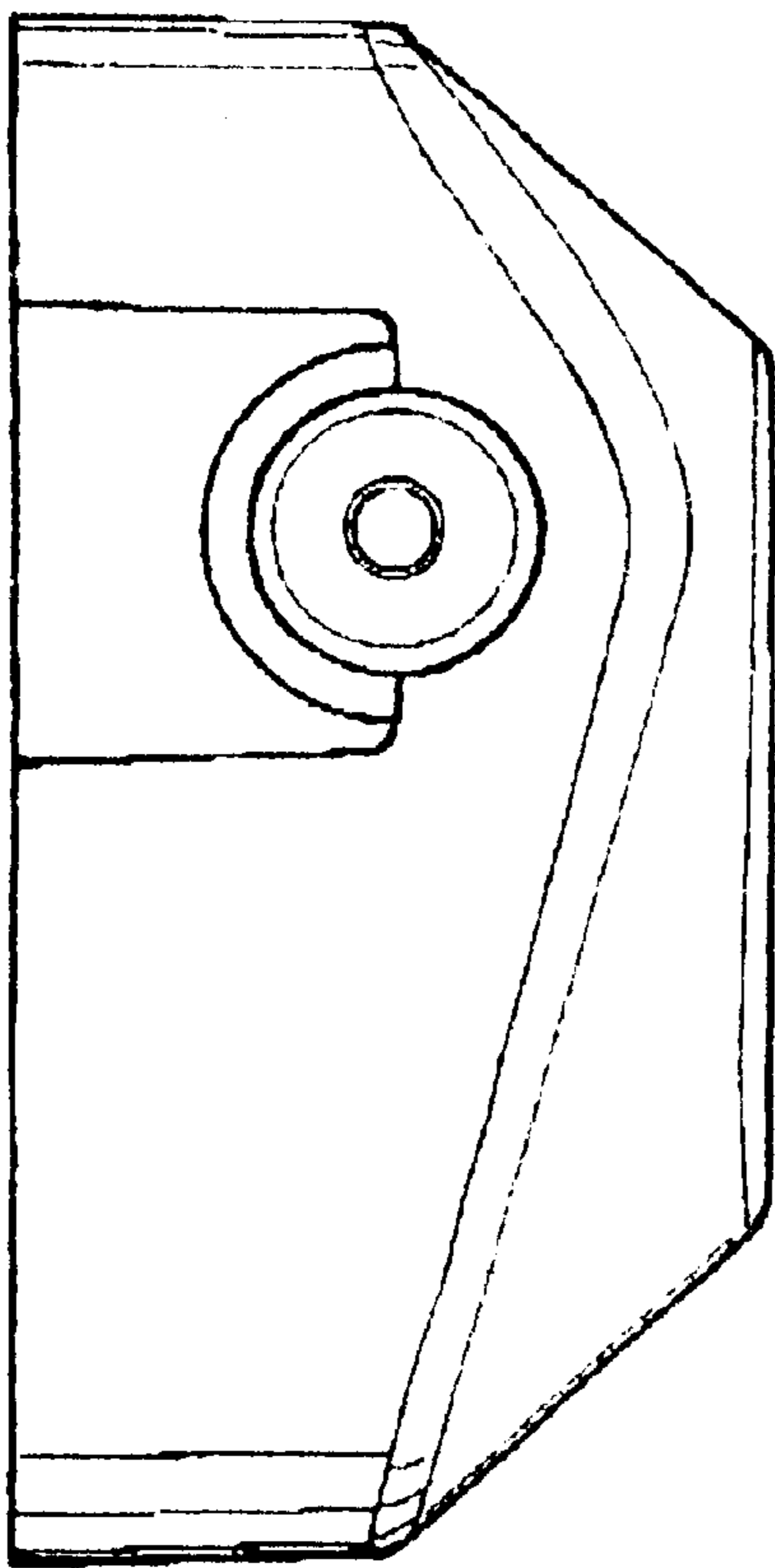


FIG. 3

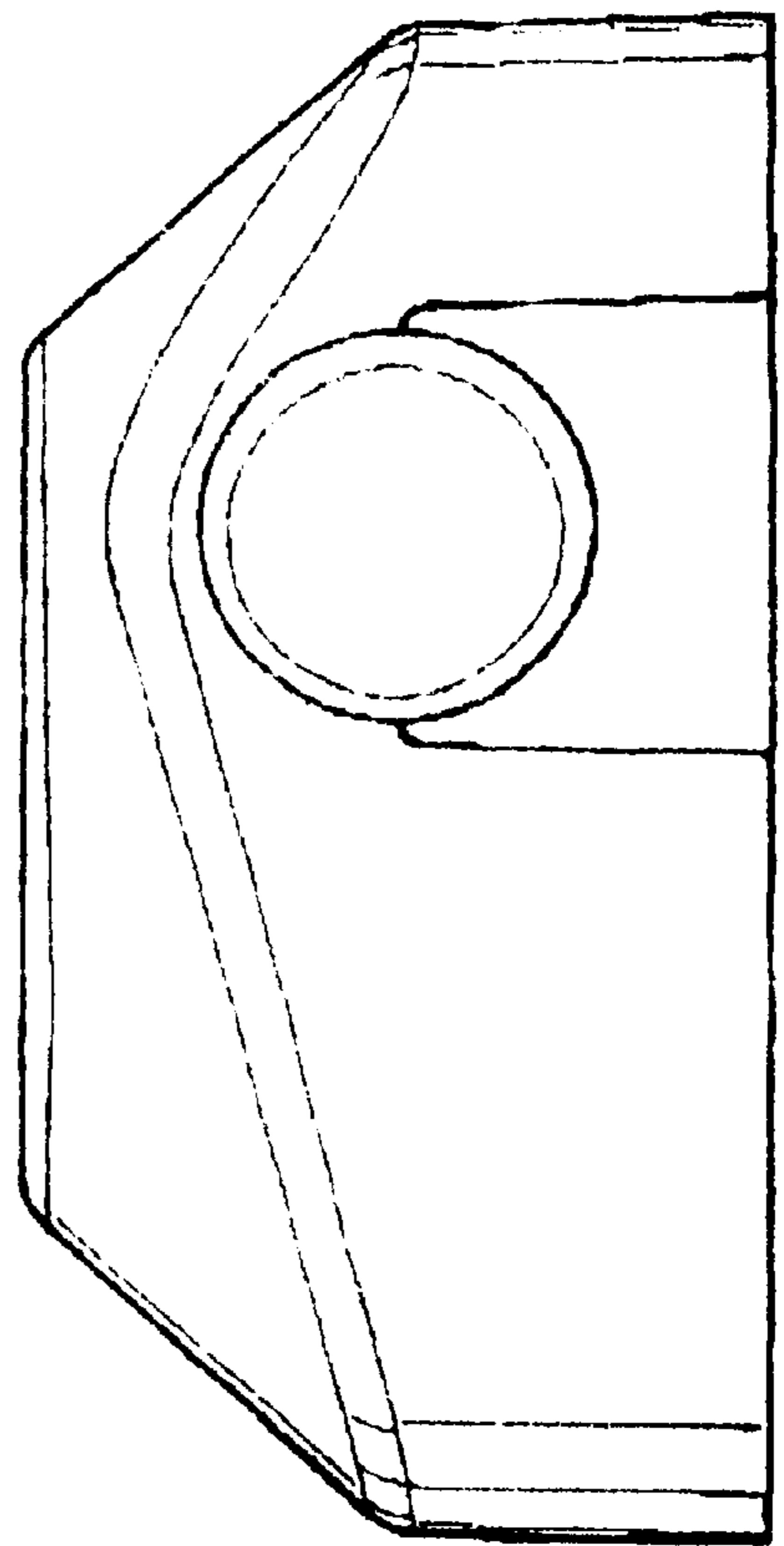


FIG. 4

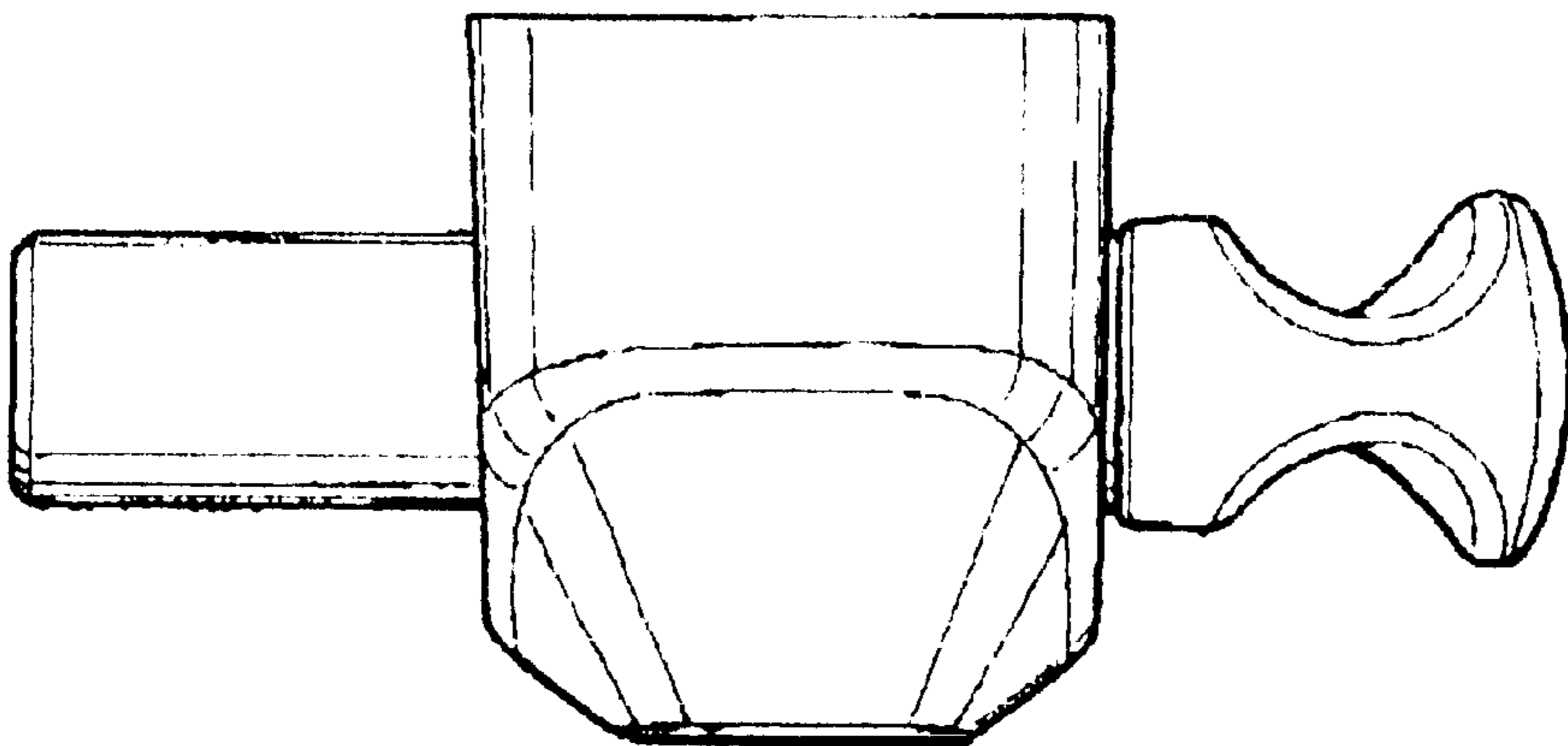


FIG. 5

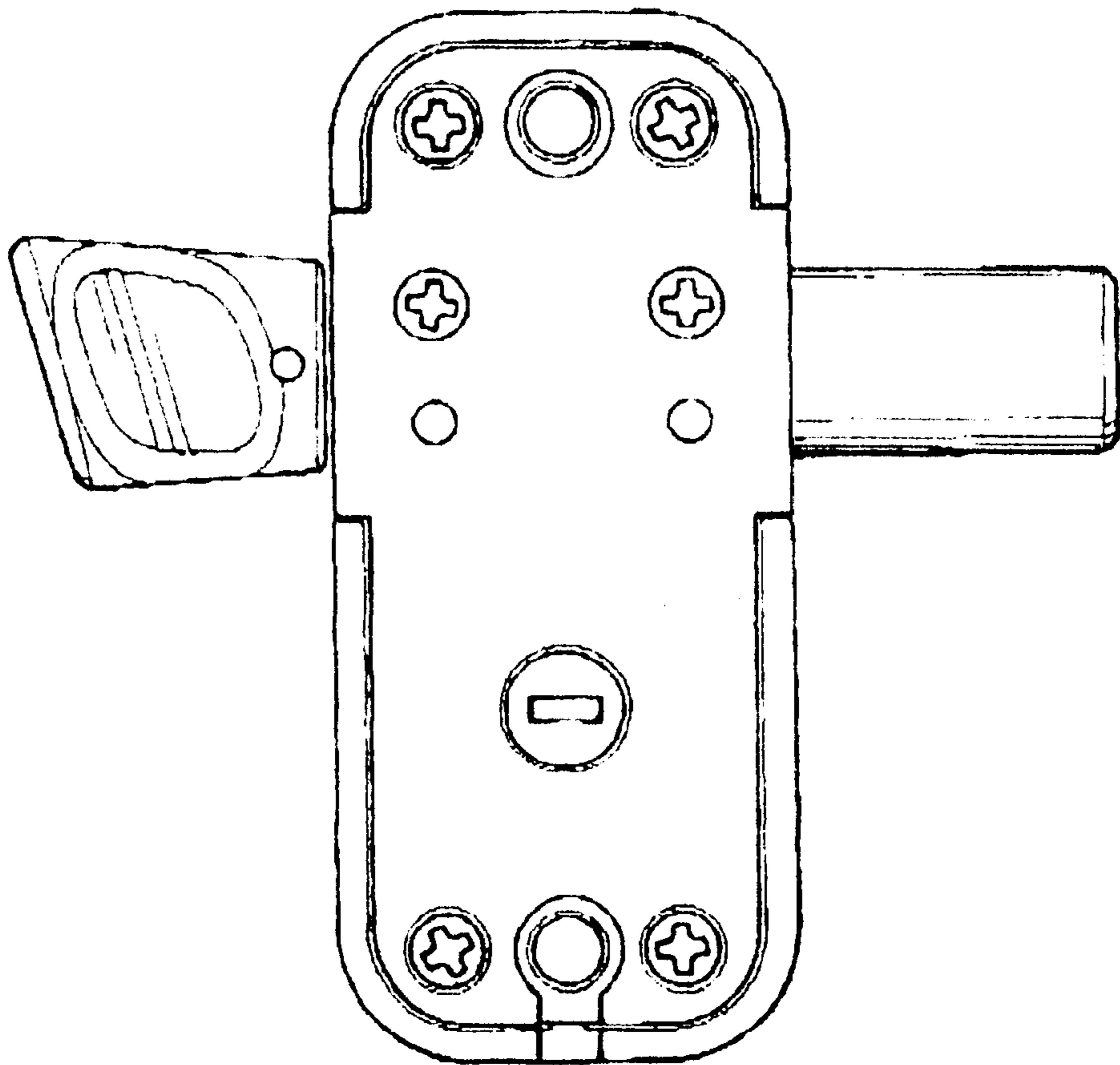


FIG. 6

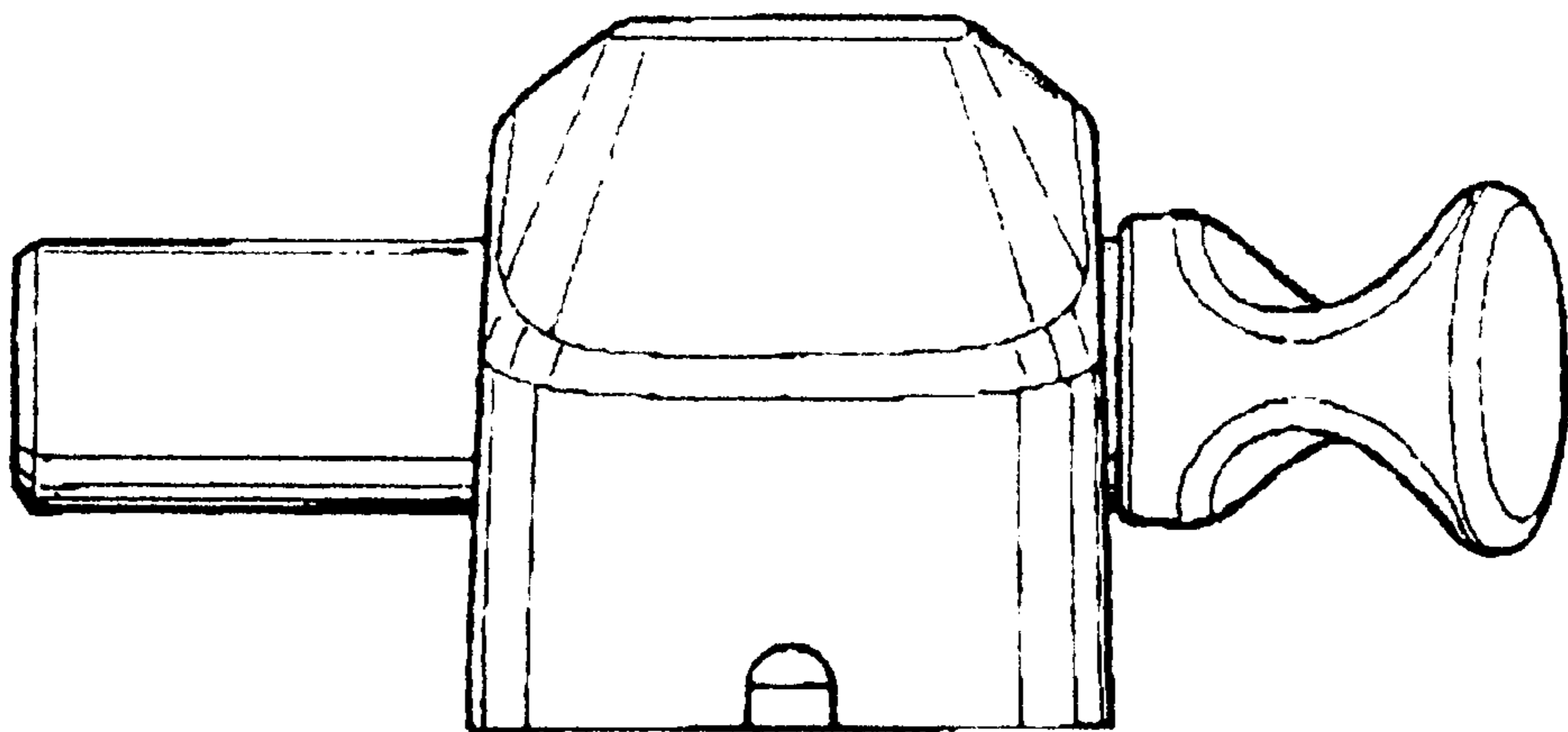


FIG. 7

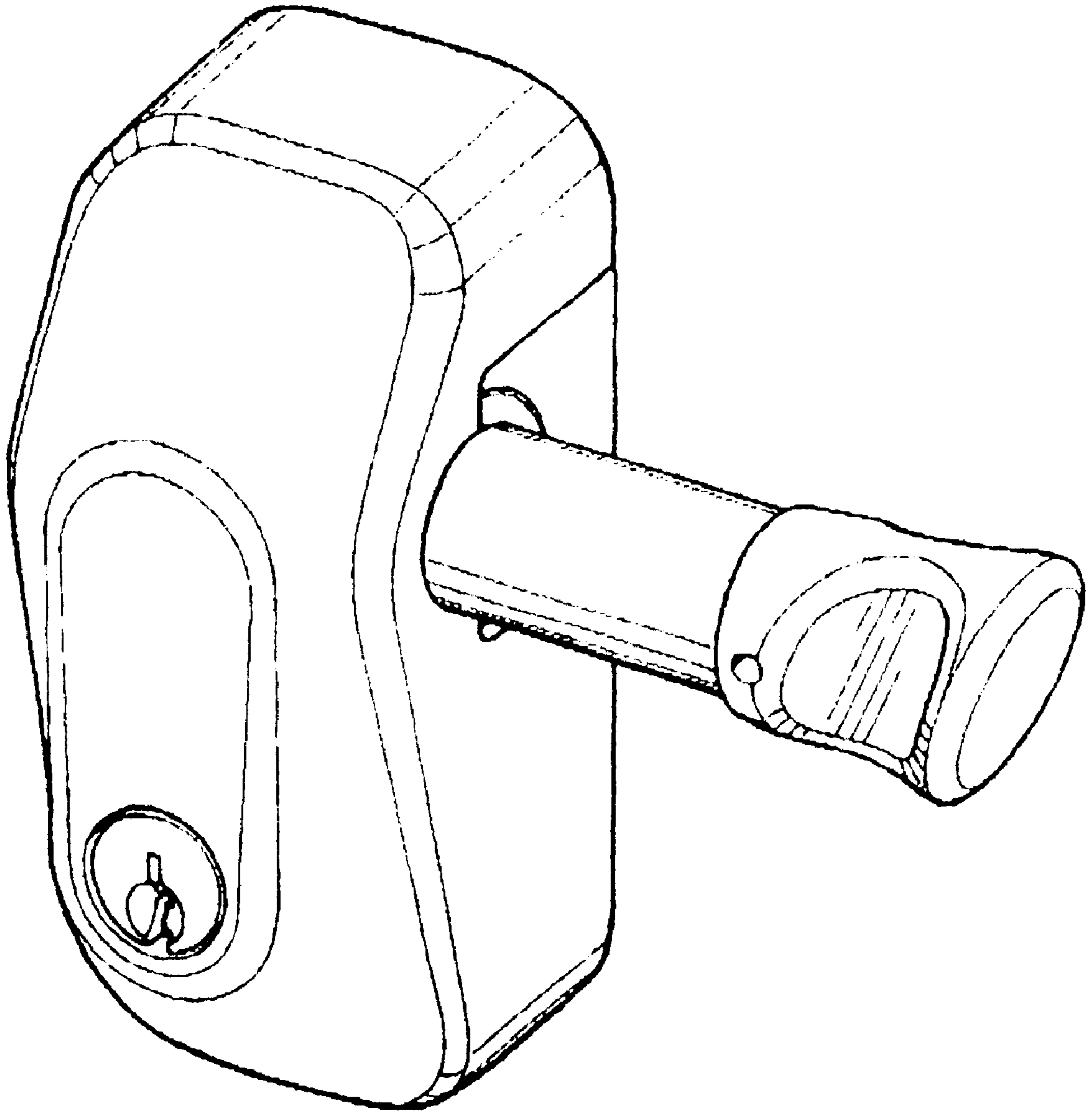


FIG. 8