



US00D484388S

(12) **United States Design Patent**
Nassie et al.

(10) **Patent No.:** **US D484,388 S**

(45) **Date of Patent:** **** Dec. 30, 2003**

(54) **PROPELLER LOCK FOR MARINE ENGINE**

D382,194 S * 8/1997 Hodges D8/355

(75) Inventors: **Robert J. Nassie**, Crowley, TX (US);
Frederick C. Ferguson, Fort Worth, TX (US)

* cited by examiner

Primary Examiner—Prabhakar Deshmukh
(74) *Attorney, Agent, or Firm*—James E. Walton

(73) Assignee: **FFN, Inc.**, Fort Worth, TX (US)

(57) **CLAIM**

(**) Term: **14 Years**

The ornamental design for a propeller lock for marine engine, as shown and described.

(21) Appl. No.: **29/176,871**

DESCRIPTION

(22) Filed: **Feb. 27, 2003**

(51) **LOC (7) Cl.** **08-07**

(52) **U.S. Cl.** **D8/330**

(58) **Field of Search** D8/330, 331, 343,
D8/14, 339; 70/14, 19, 38 R, 266; 292/288,
256, 258, 260, 150, 262, DIG. 46

FIG. 1 is an assembled perspective view of the propeller lock for marine engine according to the present invention. FIG. 2 is an exploded perspective view of the propeller lock for marine engine according to the present invention.

FIG. 3 is a front view of the propeller lock for marine engine according to the present invention.

FIG. 4 is a top view of the propeller lock for marine engine according to the present invention.

FIG. 5 is a left side view of the propeller lock for marine engine according to the present invention.

FIG. 6 is a rear view of the propeller lock for marine engine according to the present invention.

FIG. 7 is a right side view of the propeller lock for marine engine according to the present invention; and,

FIG. 8 is a bottom view of the propeller lock for marine engine according to the present invention.

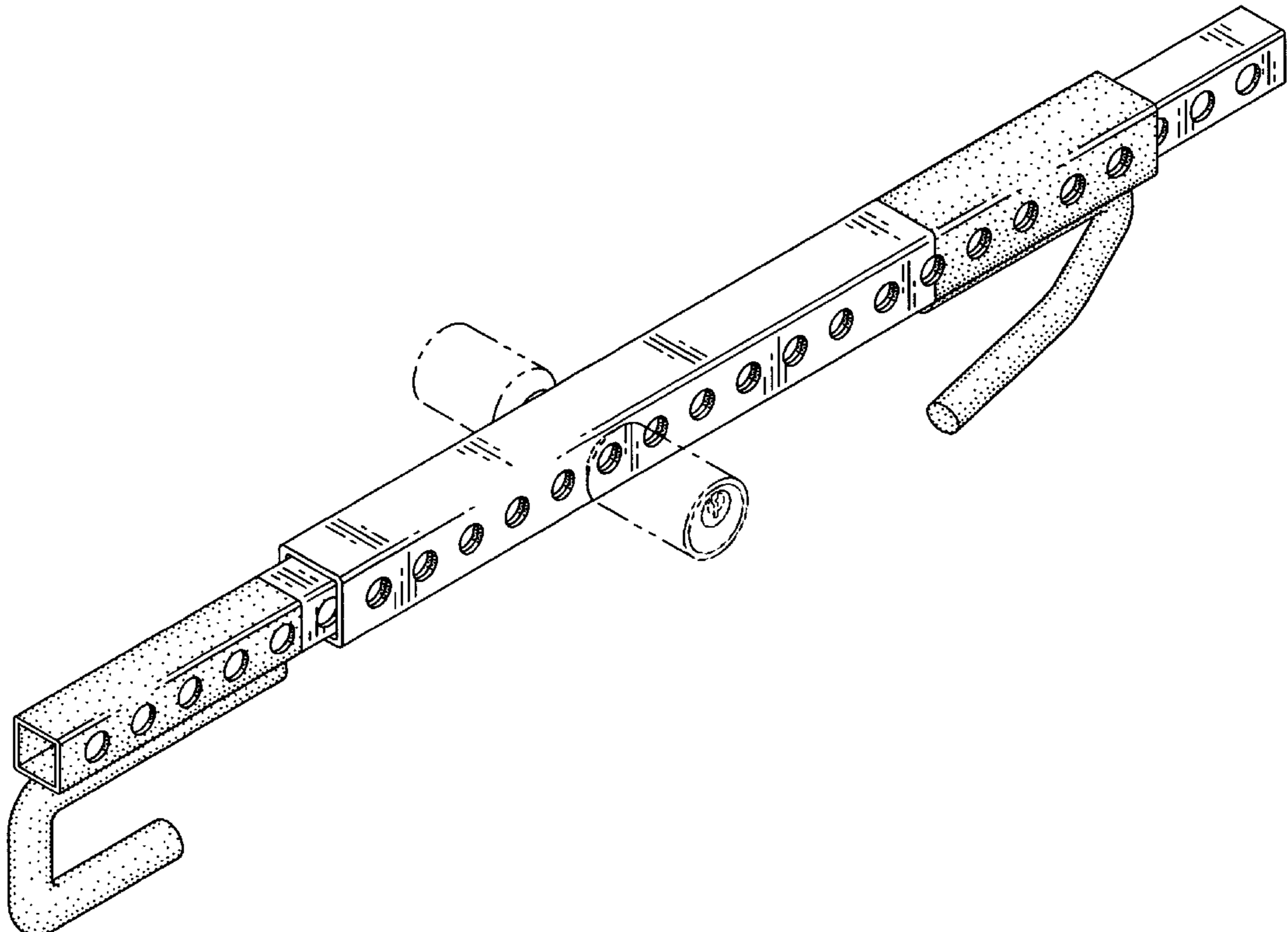
The broken lines in all views are for illustrative purposes only and form no part of the claimed design.

(56) **References Cited**

U.S. PATENT DOCUMENTS

D195,132 S	*	4/1963	Kore, Jr.	D8/355
D267,698 S	*	1/1983	Domes	D8/339
4,372,136 A	*	2/1983	Mickelson	70/14
4,491,354 A	*	1/1985	Williams	292/148
4,570,985 A	*	2/1986	Waldo et al.	292/262
D303,623 S	*	9/1989	Pearson	D8/330
5,222,381 A	*	6/1993	Wilcox	70/19
D339,057 S	*	9/1993	Lofland	D8/343
5,355,272 A	*	10/1994	Kung	D8/330 X
D351,984 S	*	11/1994	Victor	D8/331
D380,662 S	*	7/1997	Sage	D8/343

1 Claim, 4 Drawing Sheets



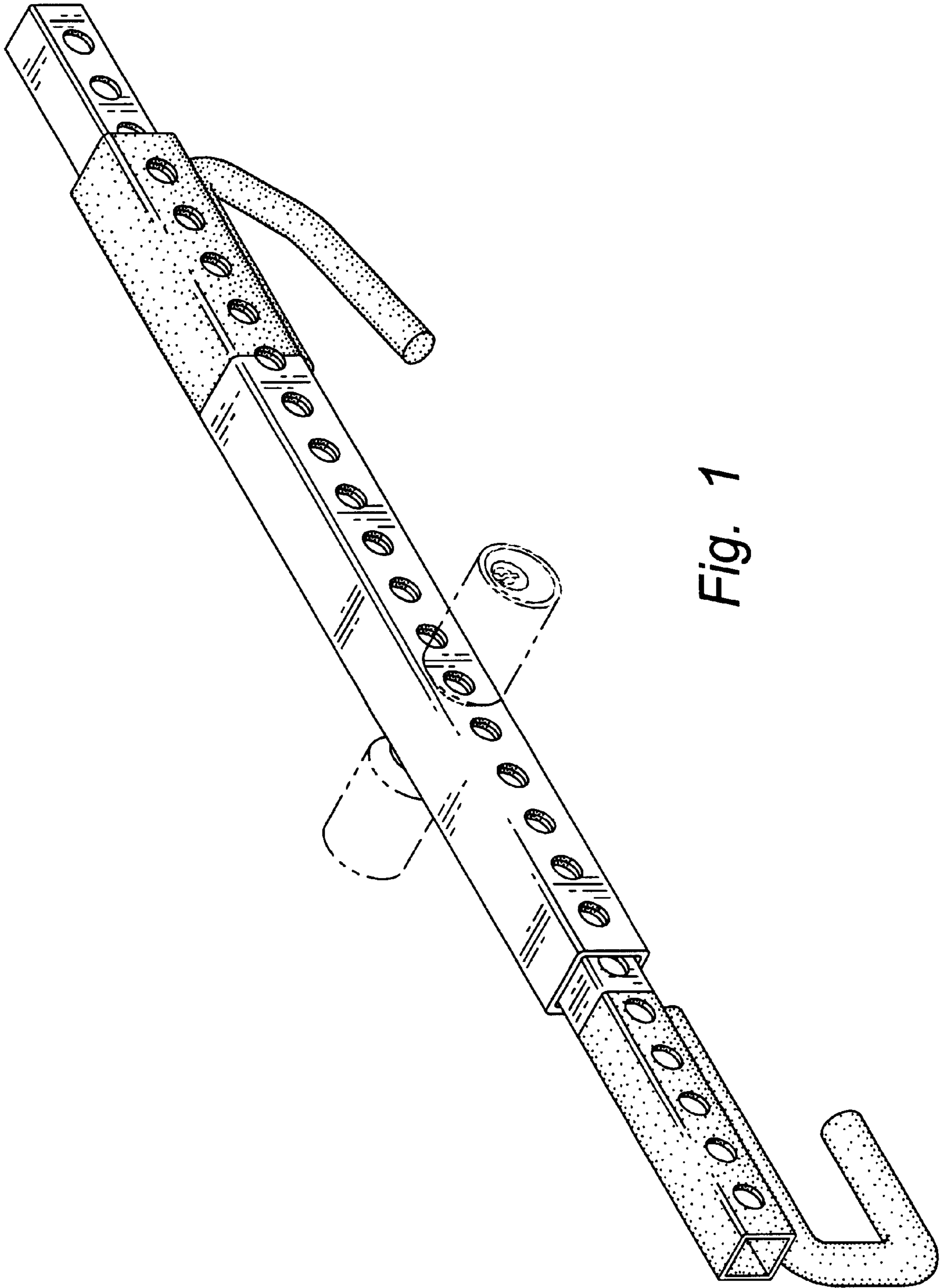


Fig. 1

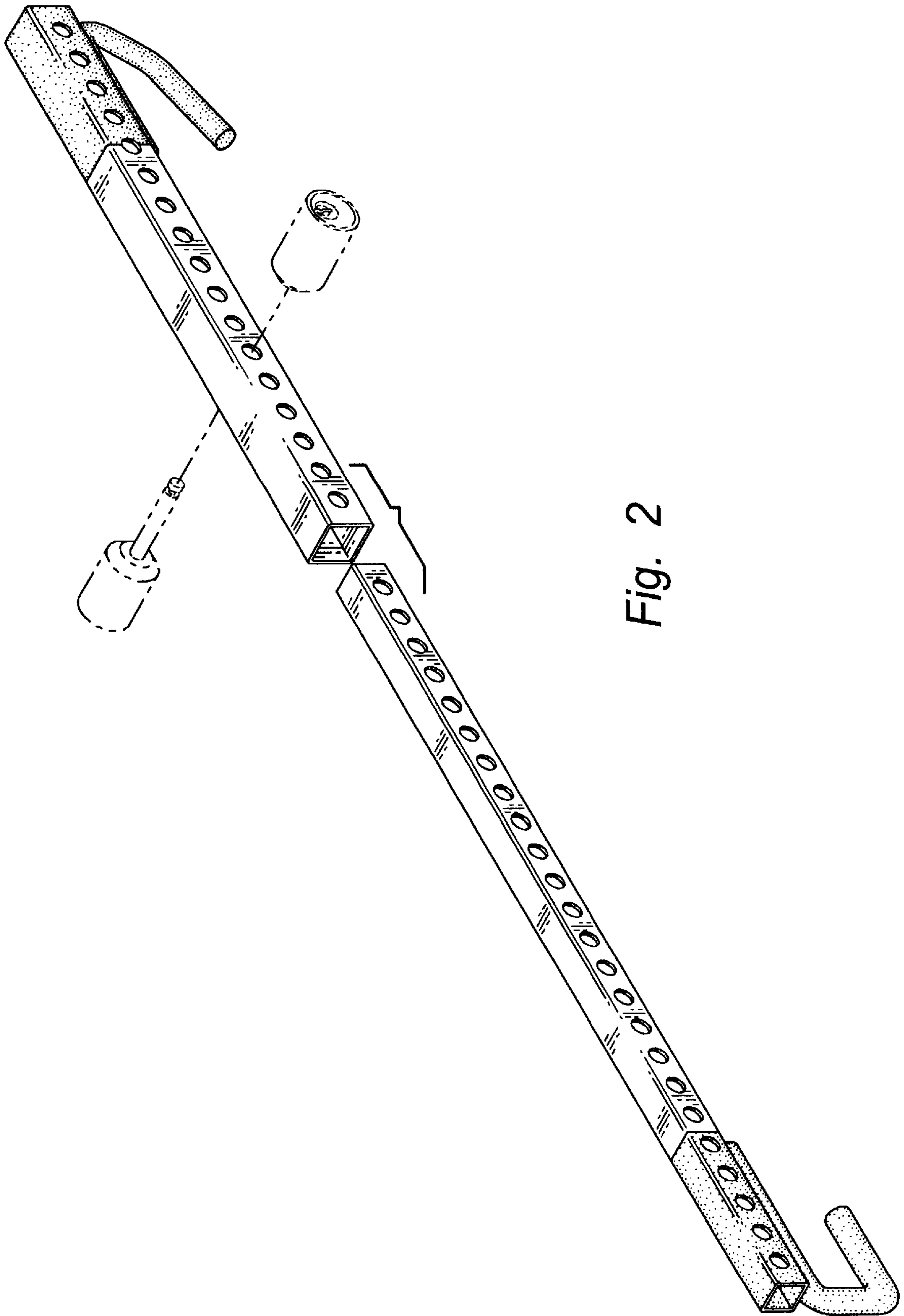


Fig. 2

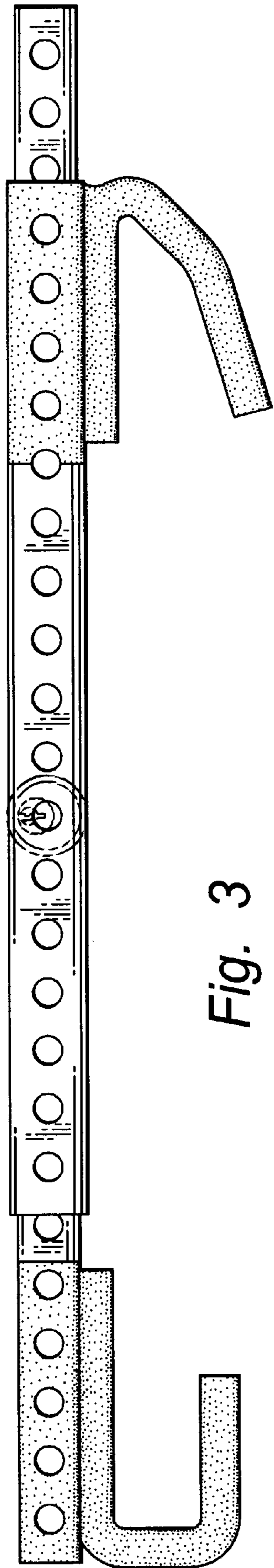


Fig. 3

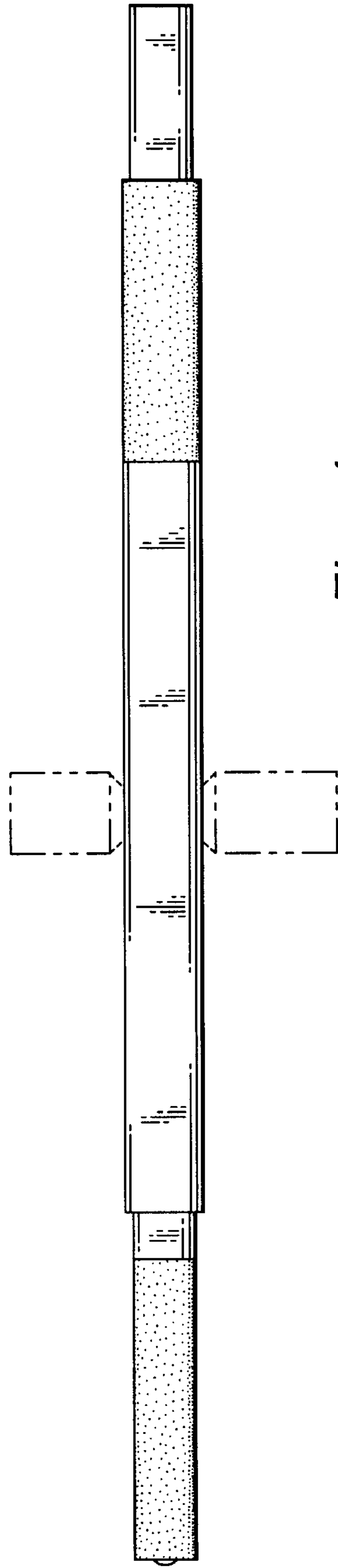


Fig. 4

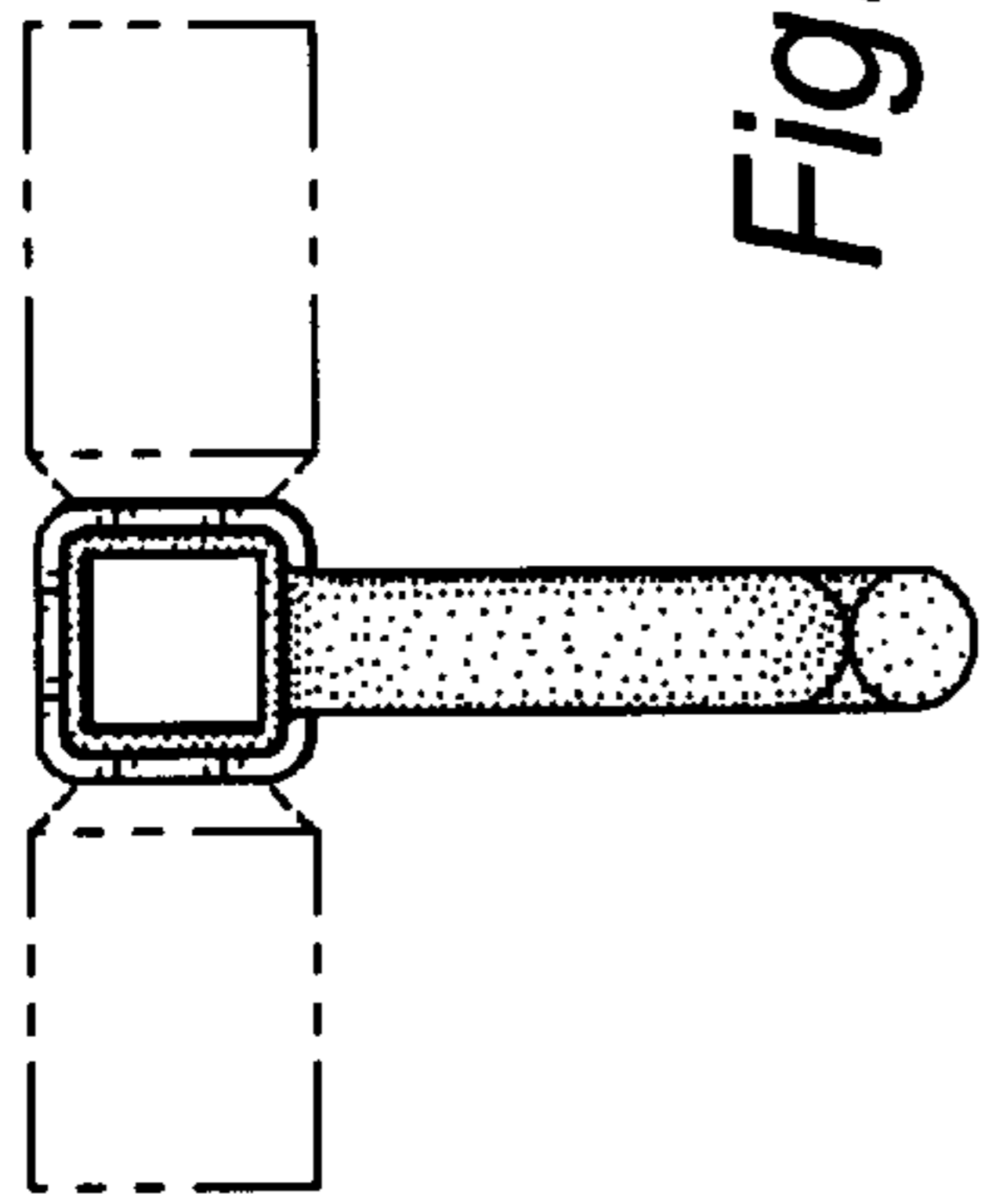


Fig. 5

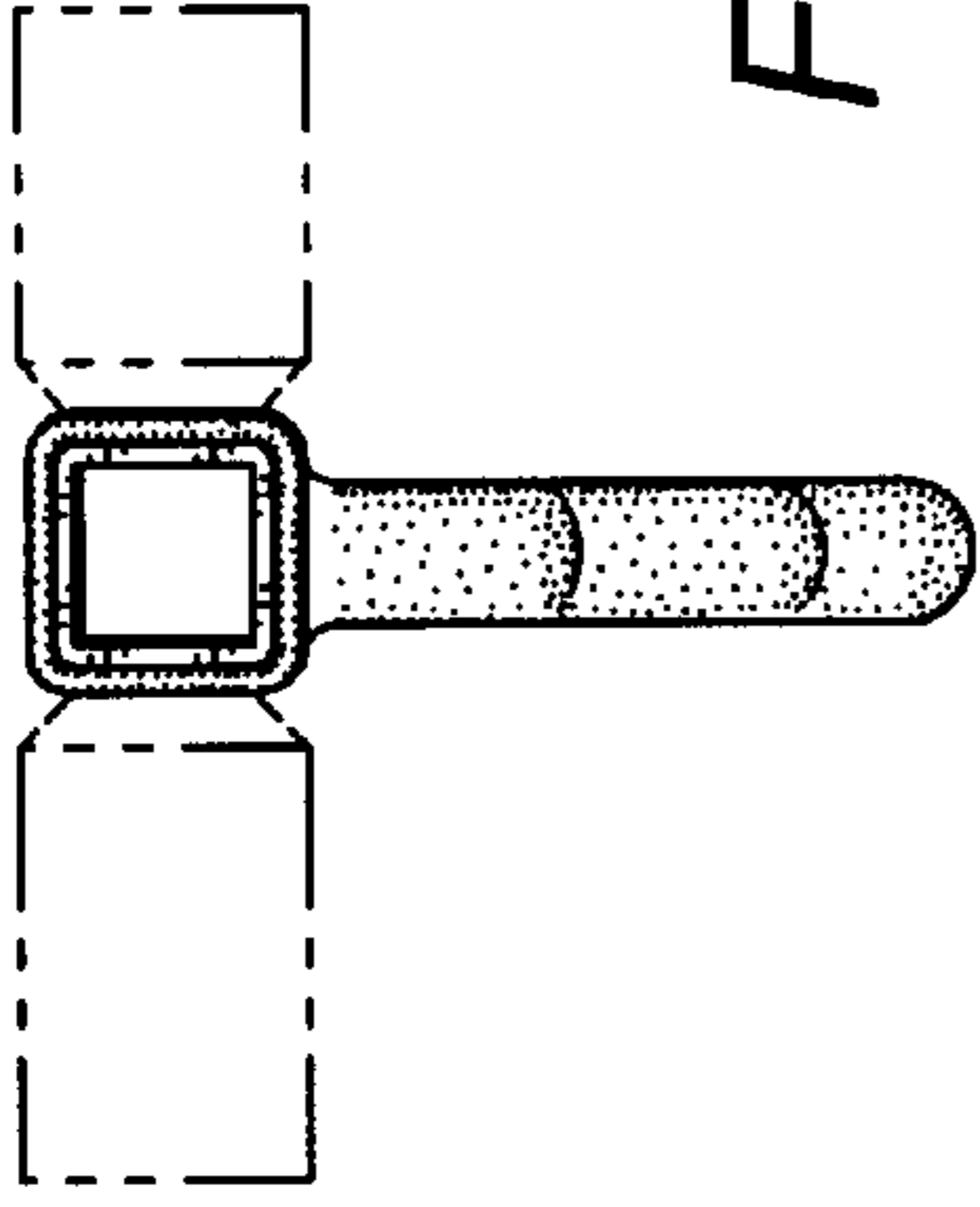


Fig. 7

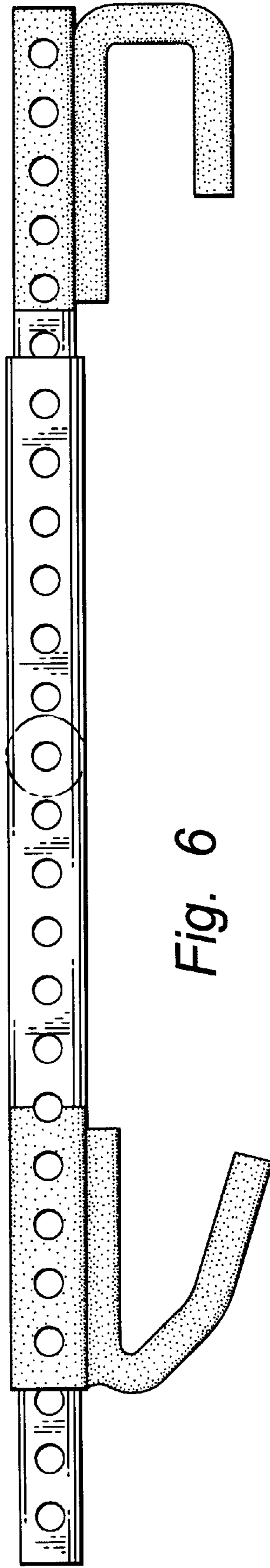


Fig. 6

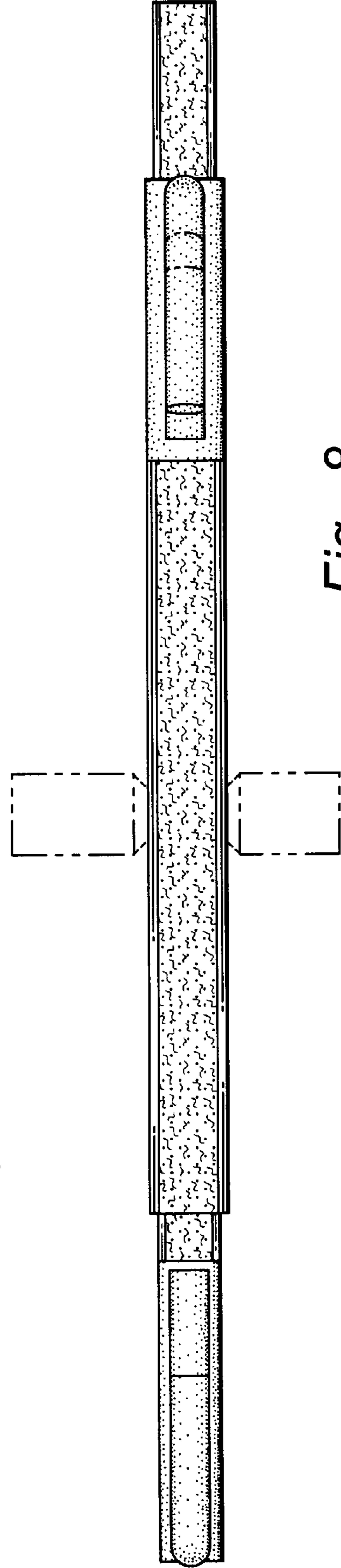


Fig. 8