



US00D484387S

(12) **United States Design Patent**
Hsiao

(10) **Patent No.:** **US D484,387 S**

(45) **Date of Patent:** **** Dec. 30, 2003**

(54) **TOOL HANDLE**

(76) **Inventor:** **Chieh-Jen Hsiao**, 2F, No. 215, Yu-Te Rd., Pei Dist., Taichung City (TW)

(**) **Term:** **14 Years**

(21) **Appl. No.:** **29/169,145**

(22) **Filed:** **Oct. 14, 2002**

(51) **LOC (7) Cl.** **08-04**

(52) **U.S. Cl.** **D8/107**

(58) **Field of Search** D8/82-87, 107,
D8/45, 47, 303; 81/177.1, 177.5, 177.7,
177.8, 436-440, 489; 16/110.1, 421, 422,
430

(56) **References Cited**

U.S. PATENT DOCUMENTS

- 1,177,604 A * 4/1916 Cowell 81/177.8
- 1,558,763 A * 10/1925 Rossberg 81/450
- 6,386,075 B1 * 5/2002 Shiao 81/177.8
- 6,397,708 B1 * 6/2002 Hung 81/177.7

- D474,097 S * 5/2003 Hsiao D8/107
- 6,564,680 B1 * 5/2003 Rinner et al. 81/177.5

* cited by examiner

Primary Examiner—Clare E. Heflin

(74) *Attorney, Agent, or Firm*—Orrick, Herrington & Sutcliffe; Kurt T. Mulville

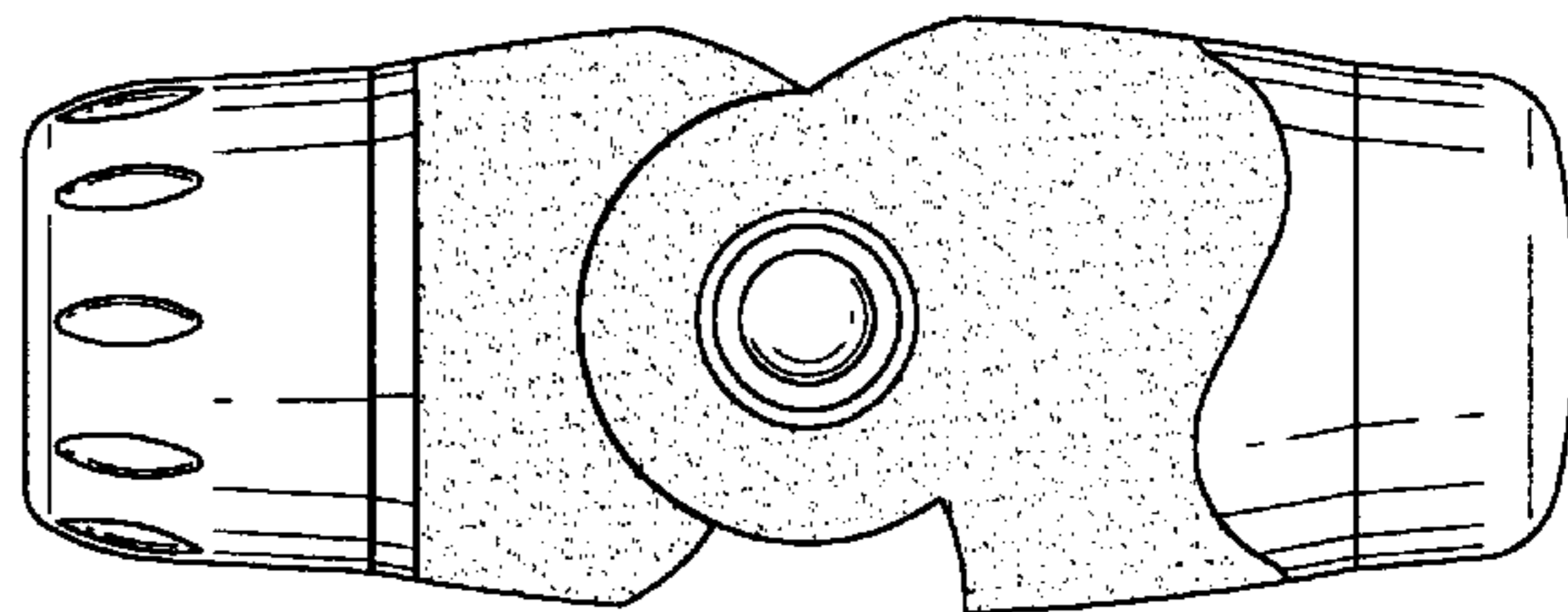
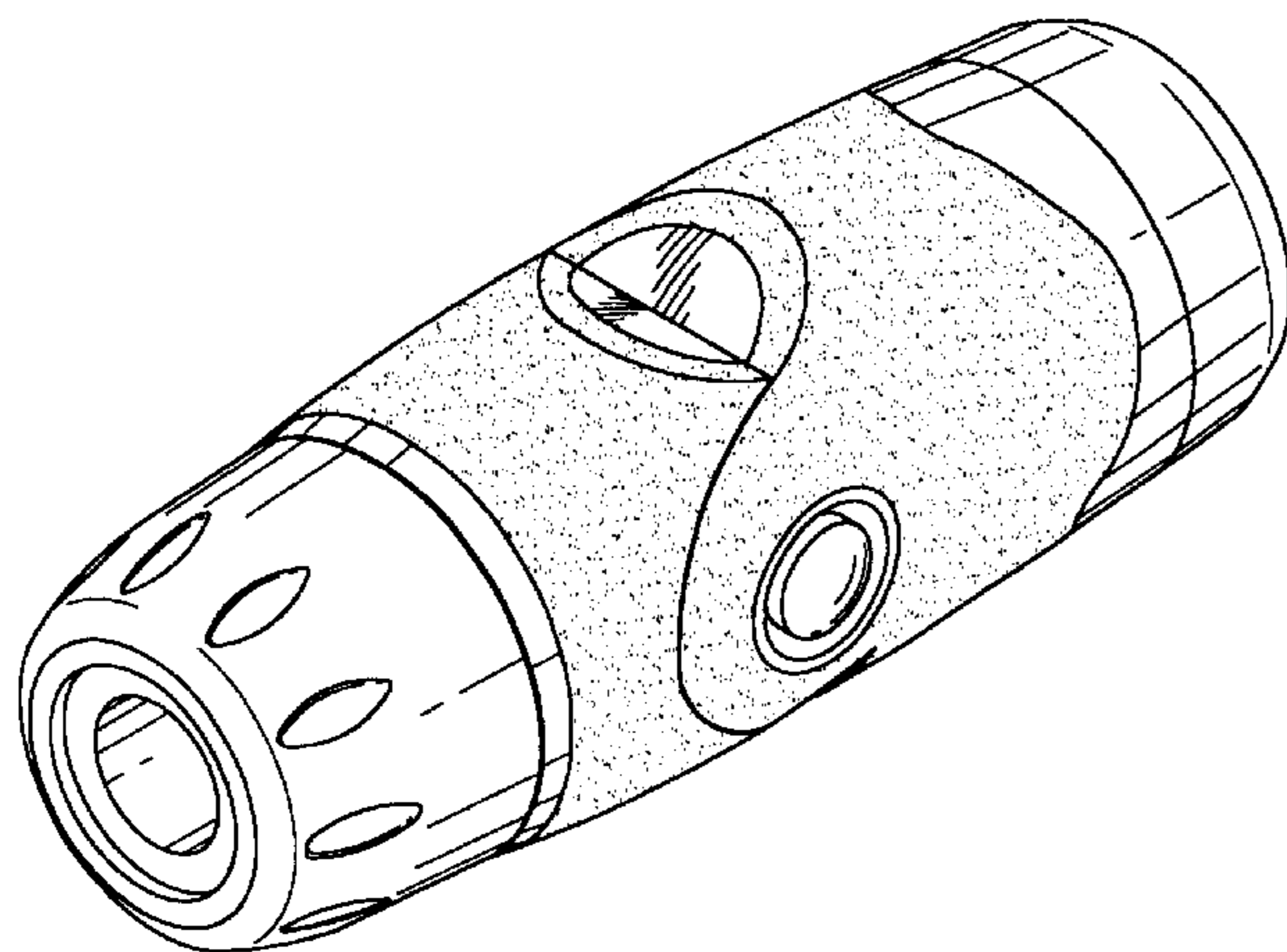
(57) **CLAIM**

The ornamental design for a tool handle, as shown and described.

DESCRIPTION

FIG. 1 is a perspective view of a tool handle showing the new design;
 FIG. 2 is a front elevational view thereof;
 FIG. 3 is a rear elevational view thereof;
 FIG. 4 is a left side elevational view thereof;
 FIG. 5 is a right side elevational view thereof;
 FIG. 6 is a top plan view thereof; and,
 FIG. 7 is a bottom plan view thereof.

1 Claim, 3 Drawing Sheets



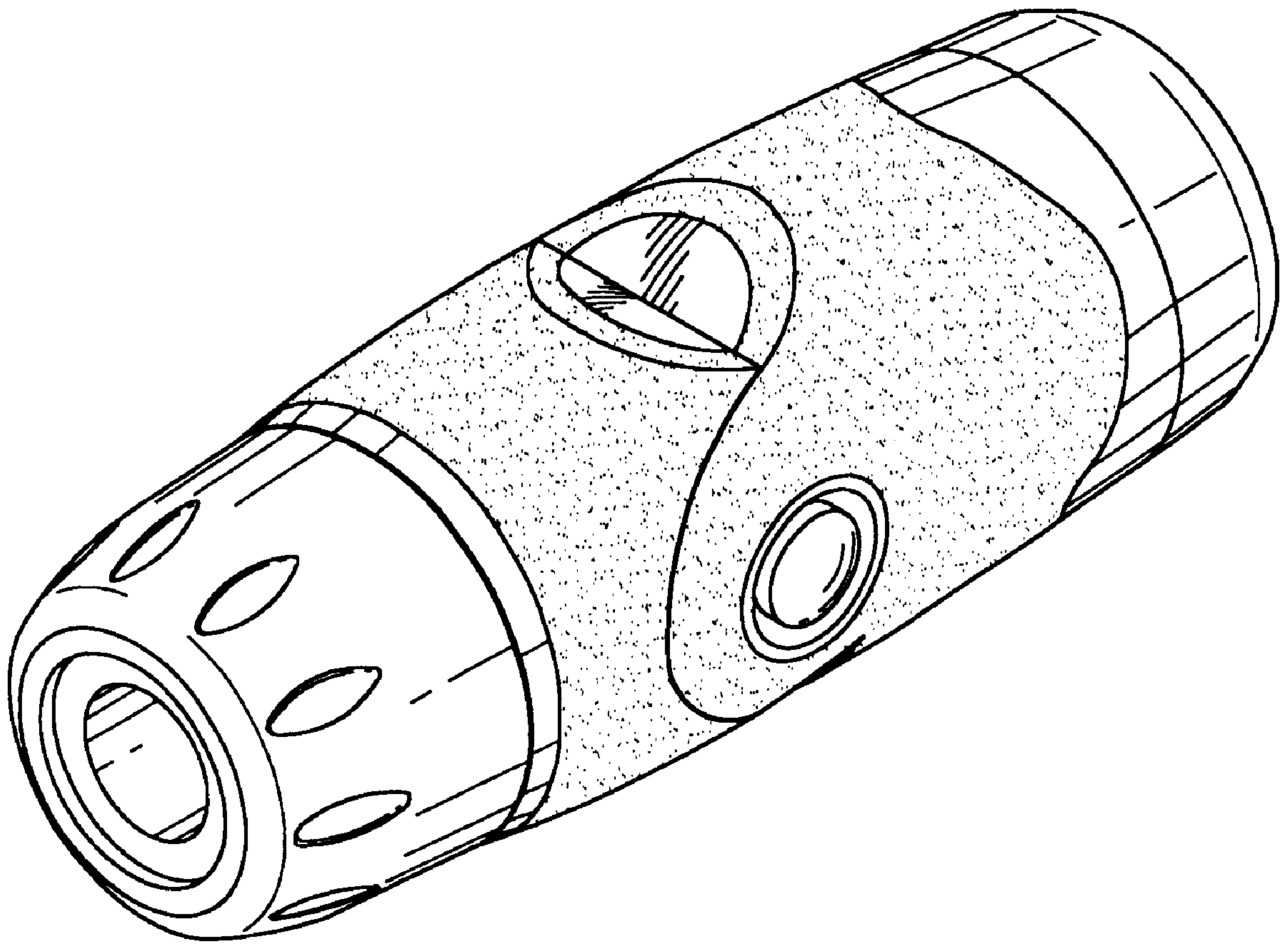


FIG. 1

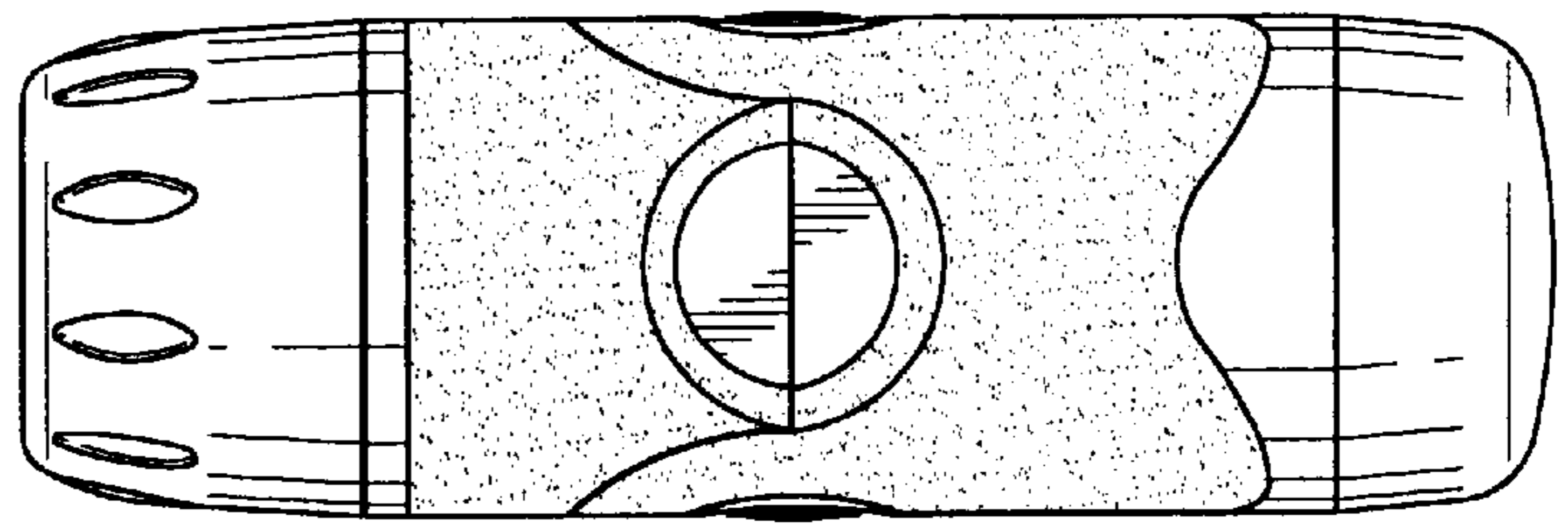


FIG. 6

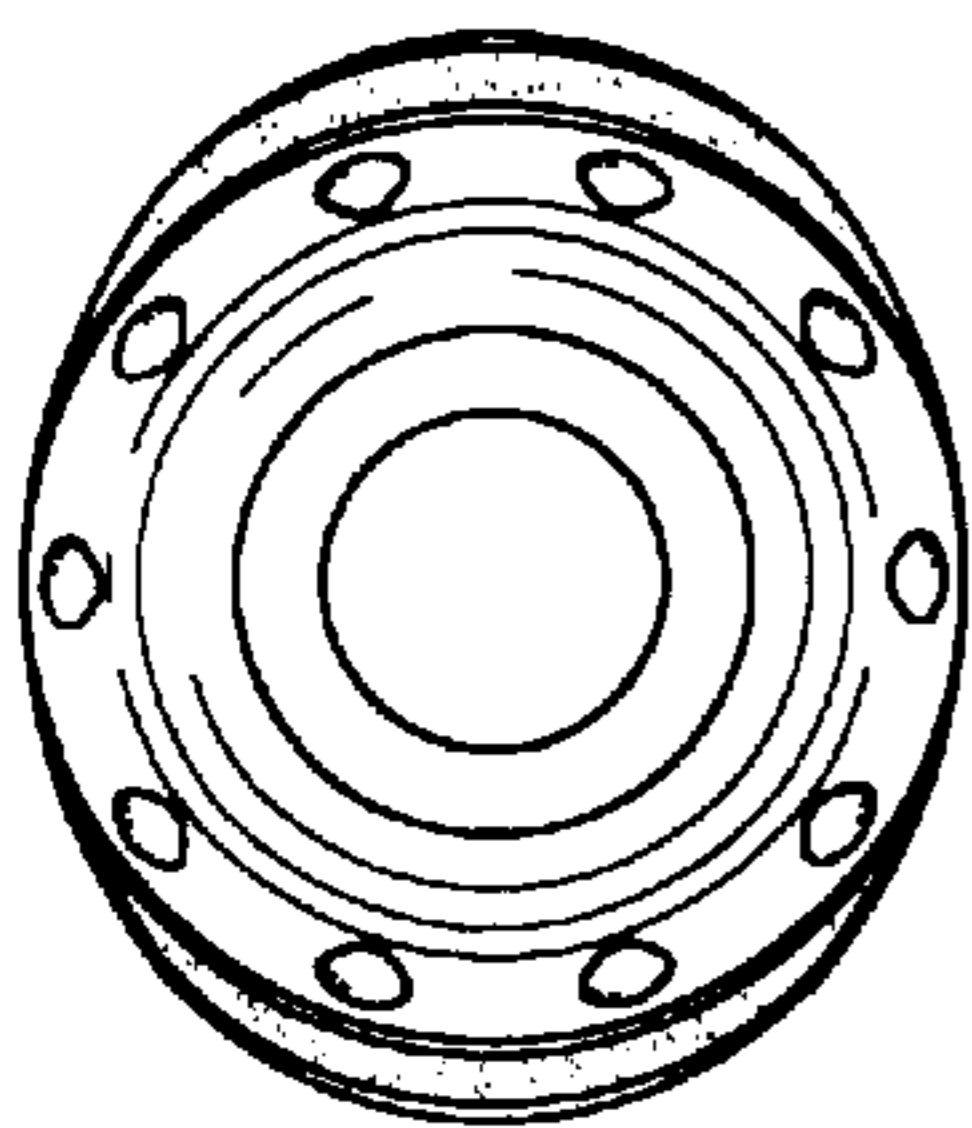


FIG. 4

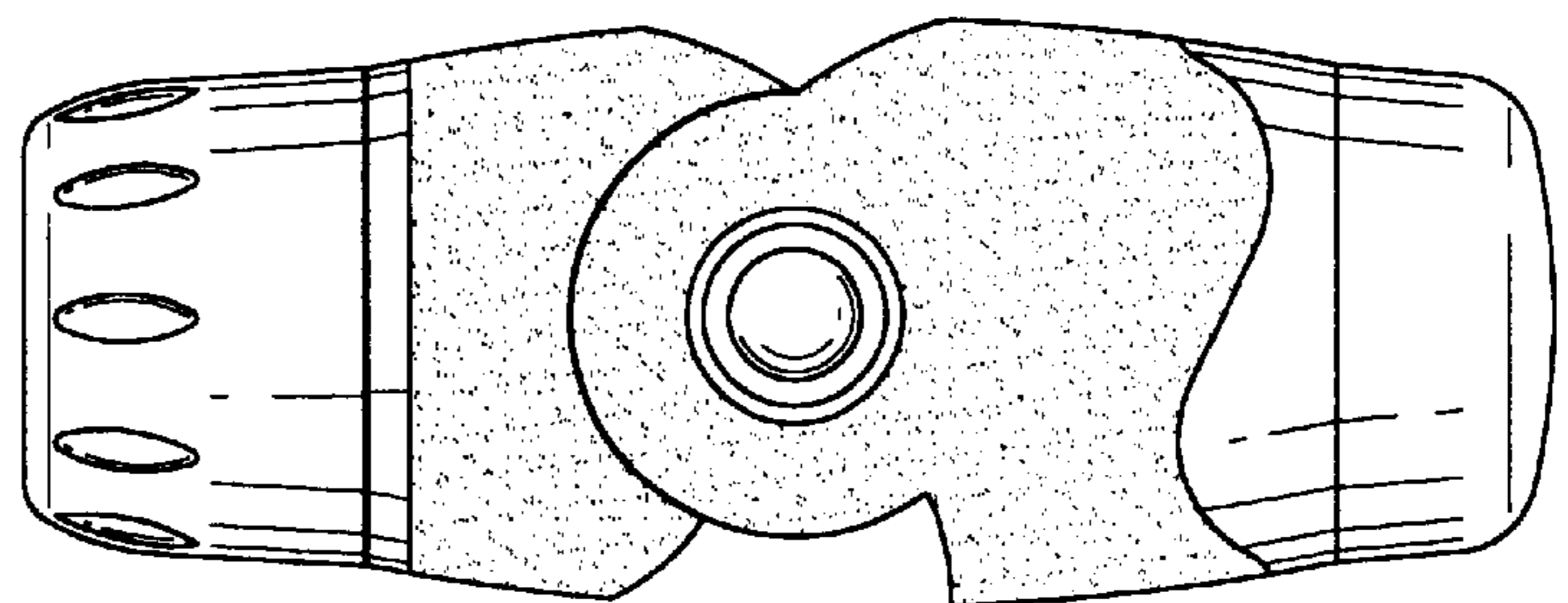


FIG. 2

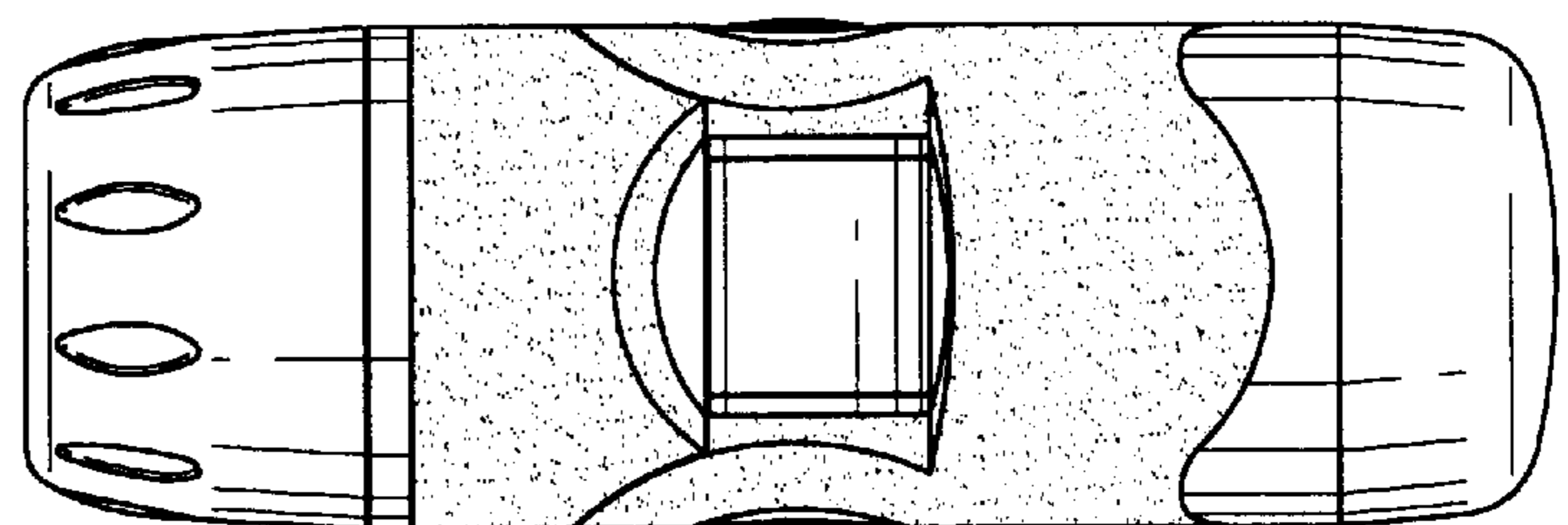


FIG. 7

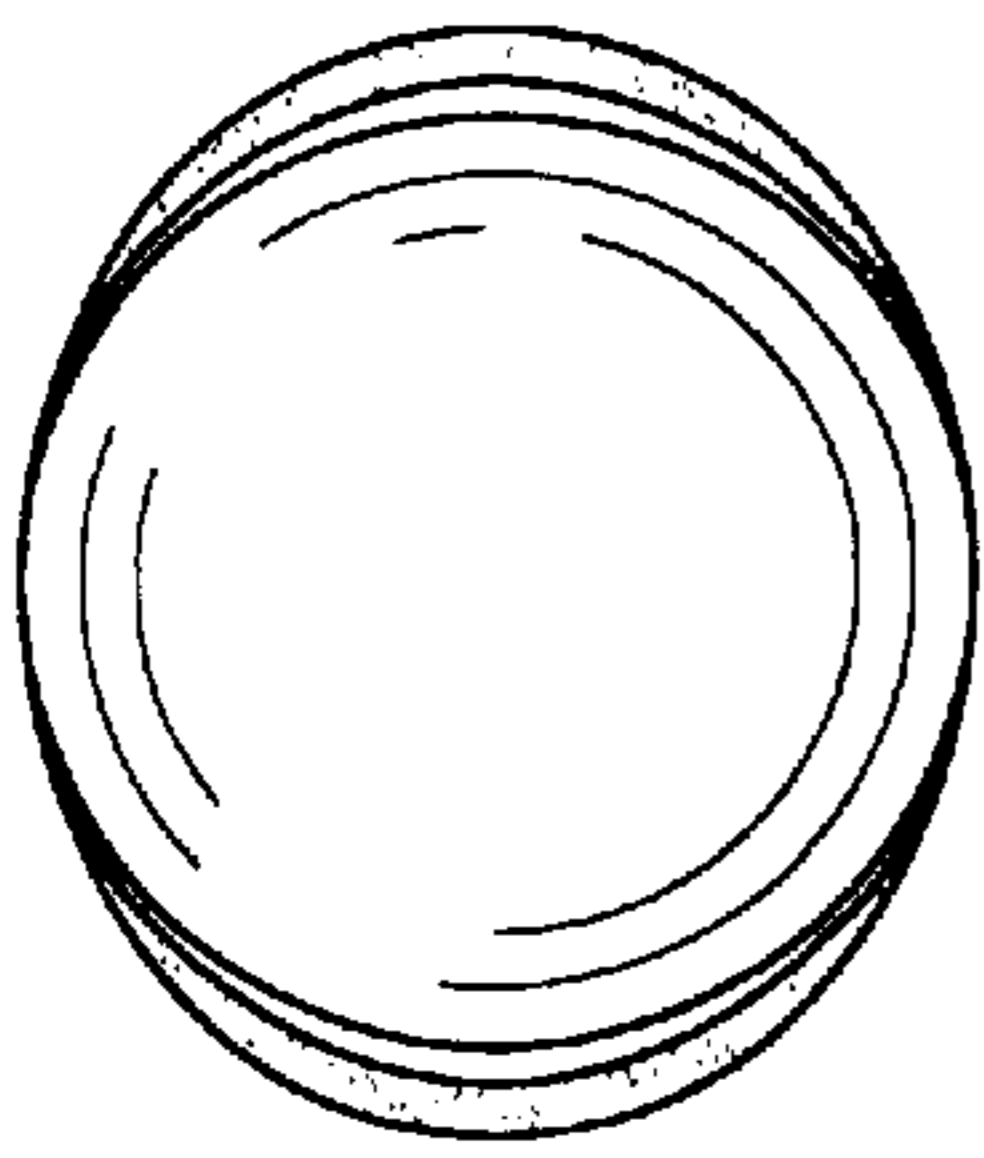


FIG. 5

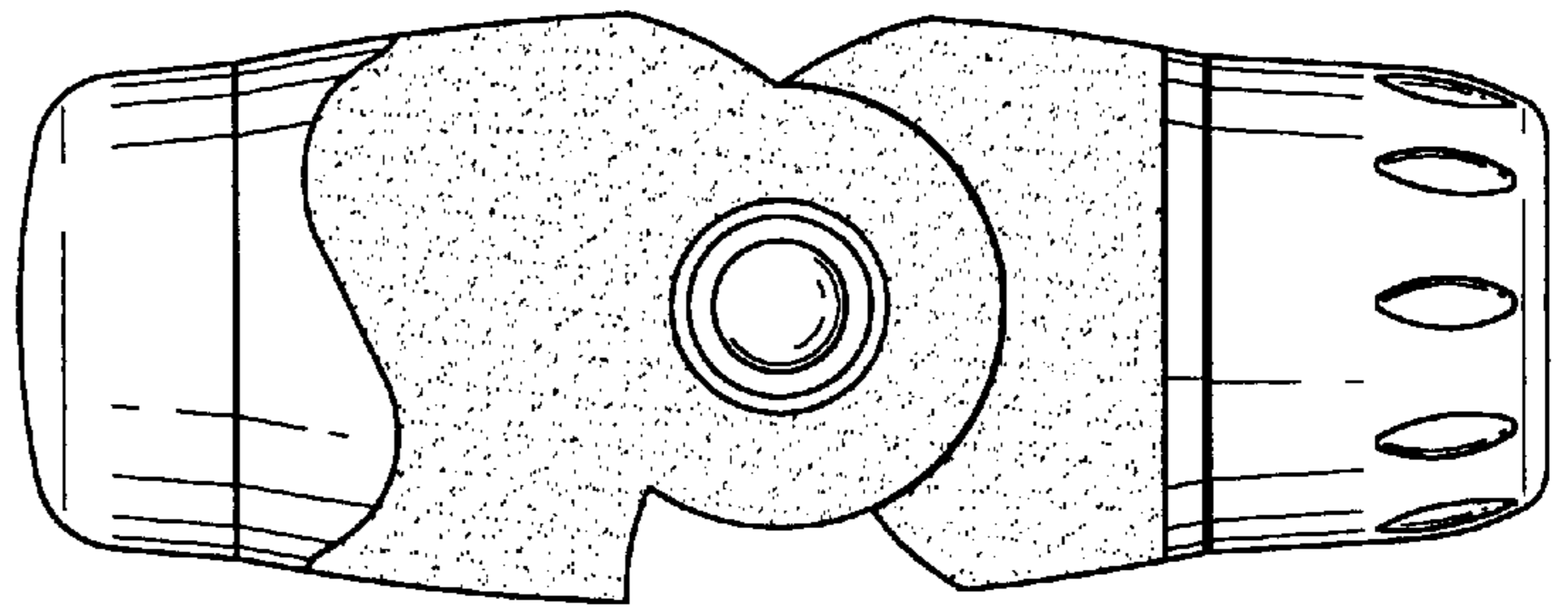


FIG. 3