



US00D484386S

(12) **United States Design Patent**  
**Thomas et al.**

(10) **Patent No.: US D484,386 S**

(45) **Date of Patent: \*\* Dec. 30, 2003**

(54) **RAISED SURFACE FOR A POWER TOOL CLAMPING KNOB**

(75) Inventors: **Benjamin J. Thomas**, Anderson, SC (US); **Ernest W. Spangler, III**, Raleigh, NC (US); **Kenneth M. Brazell**, Piedmont, SC (US); **Taku Ohi**, Greer, SC (US)

(73) Assignee: **Homelite Technologies, Ltd.**, Hamilton (BM)

(\*\*) Term: **14 Years**

(21) Appl. No.: **29/167,847**

(22) Filed: **Sep. 19, 2002**

(51) **LOC (7) Cl. .... 08-06**

(52) **U.S. Cl. .... D8/70; D8/310**

(58) **Field of Search .... D8/70, 61, 68, D8/69, 300, 301, 302, 305, 310, 307, 312, 341; 16/110.1, 414, 417, 441; D11/222, 223, 225, 227; D23/250, 251, 252, 253, 254; 292/347**

(56) **References Cited**

**U.S. PATENT DOCUMENTS**

D22,756 S	*	8/1893	Russell	.....	D8/310
D34,067 S	*	2/1901	Moores	.....	D23/253
760,298 A		5/1904	Bassick		
D39,779 S		1/1909	Herrick		
1,668,716 A		5/1928	Herdman et al.		
1,735,604 A	*	11/1929	Delany	.....	292/347
D98,957 S	*	3/1936	Patten	.....	D8/312
D101,945 S	*	11/1936	Fisher	.....	D11/222
D106,250 S	*	9/1937	Davies	.....	D8/312
D113,395 S	*	2/1939	Reinecke	.....	D23/254
D115,158 S	*	6/1939	Maerz	.....	D8/312
D143,100 S	*	12/1945	Stanitz	.....	D23/250
D143,287 S	*	12/1945	Dreyfuss	.....	D23/250
D145,607 S	*	9/1946	Zinkil	.....	D23/250
2,610,877 A		9/1952	Weaver et al.	.....	292/1
D175,538 S	*	9/1955	Dawson	.....	D25/250

D181,596 S	*	12/1957	McLean	.....	D23/250
3,437,350 A		4/1969	Clark	.....	280/150
D220,933 S	*	6/1971	Kartarik	.....	D8/307
D271,464 S	*	11/1983	Carlson	.....	D8/301
4,638,918 A		1/1987	Marzabal Martinez	.....	215/295
D349,258 S	*	8/1994	Witte	.....	D11/222
D361,257 S	*	8/1995	Chieda	.....	D8/310
D373,066 S	*	8/1996	De'Armond	.....	D8/310
D396,180 S	*	7/1998	Burns et al.	.....	D8/310
D399,723 S	*	10/1998	Burns et al.	.....	D8/310
D415,190 S	*	10/1999	Hoshino	.....	D17/20
D424,416 S	*	5/2000	Gary et al.	.....	D8/387
D461,876 S	*	8/2002	Green	.....	D23/250
D464,249 S	*	10/2002	Laabs et al.	.....	D8/343
D466,988 S	*	12/2002	Marshall	.....	D23/250
D470,741 S	*	2/2003	Fields	.....	D8/310
D472,448 S	*	4/2003	Fields	.....	D8/310
D472,947 S	*	4/2003	Wu	.....	D8/312

\* cited by examiner

*Primary Examiner*—Doris V. Coles

*Assistant Examiner*—T. Chase Nelson

(74) *Attorney, Agent, or Firm*—Harrington & Smith, LLP

(57) **CLAIM**

The ornamental design for a raised surface for a power tool clamping knob, as shown and described.

**DESCRIPTION**

FIG. 1 is a perspective view of a top, front and left side of the raised surface for a power tool clamping knob incorporating our new design;

FIG. 2 is a front elevational view thereof;

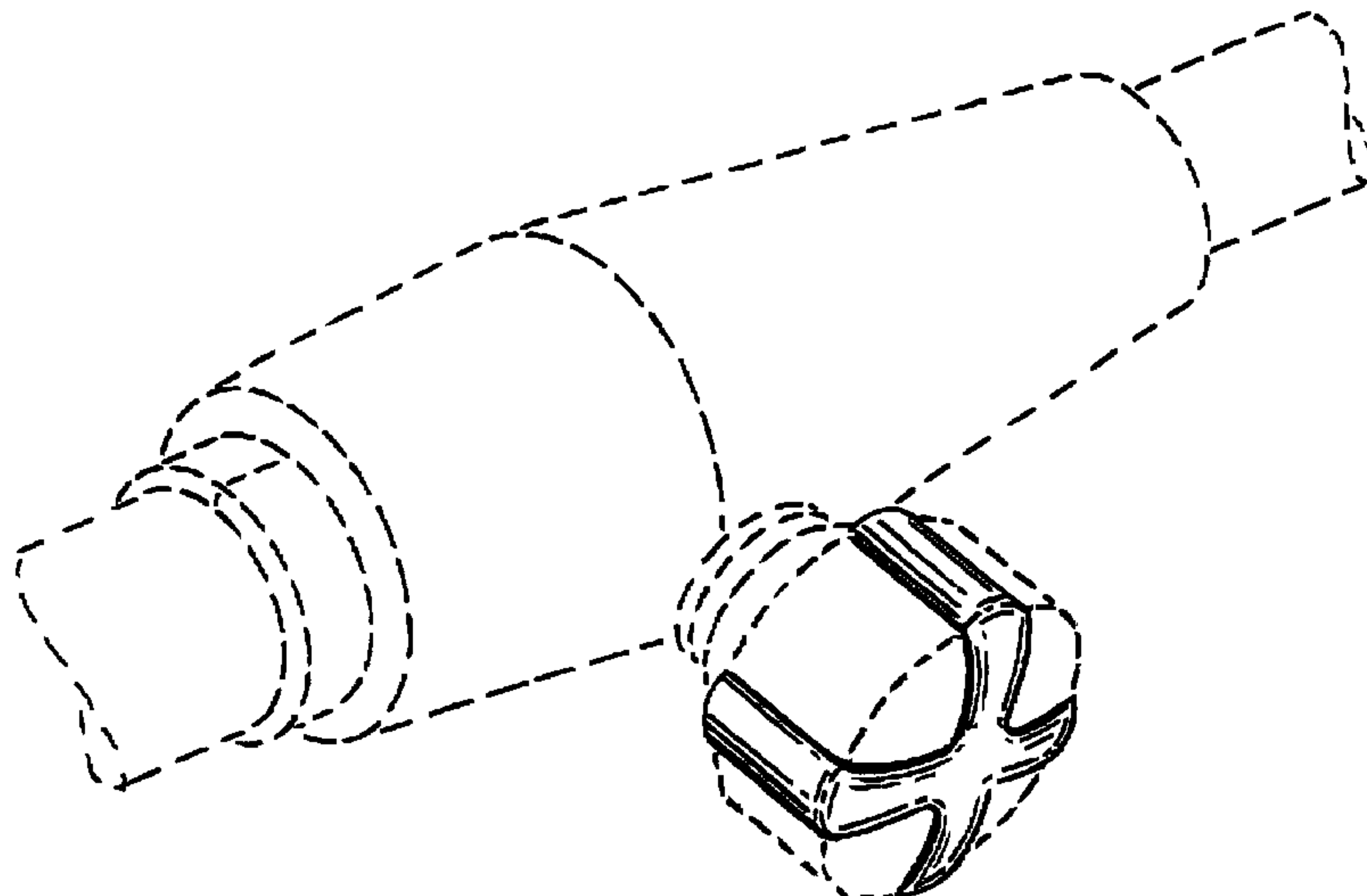
FIG. 3 is a top side plan view thereof, the bottom side being a mirror image thereof;

FIG. 4 is a right side elevational view thereof, the left side being a mirror image thereof; and,

FIG. 5 is a rear elevational view thereof.

The broken lines showing of the knob body and the power tool shafts and connecting coupling shown in FIG. 1, and the knob body shown in FIGS. 2–5 is for illustrative purposes only and forms no part of the claimed design.

**1 Claim, 2 Drawing Sheets**



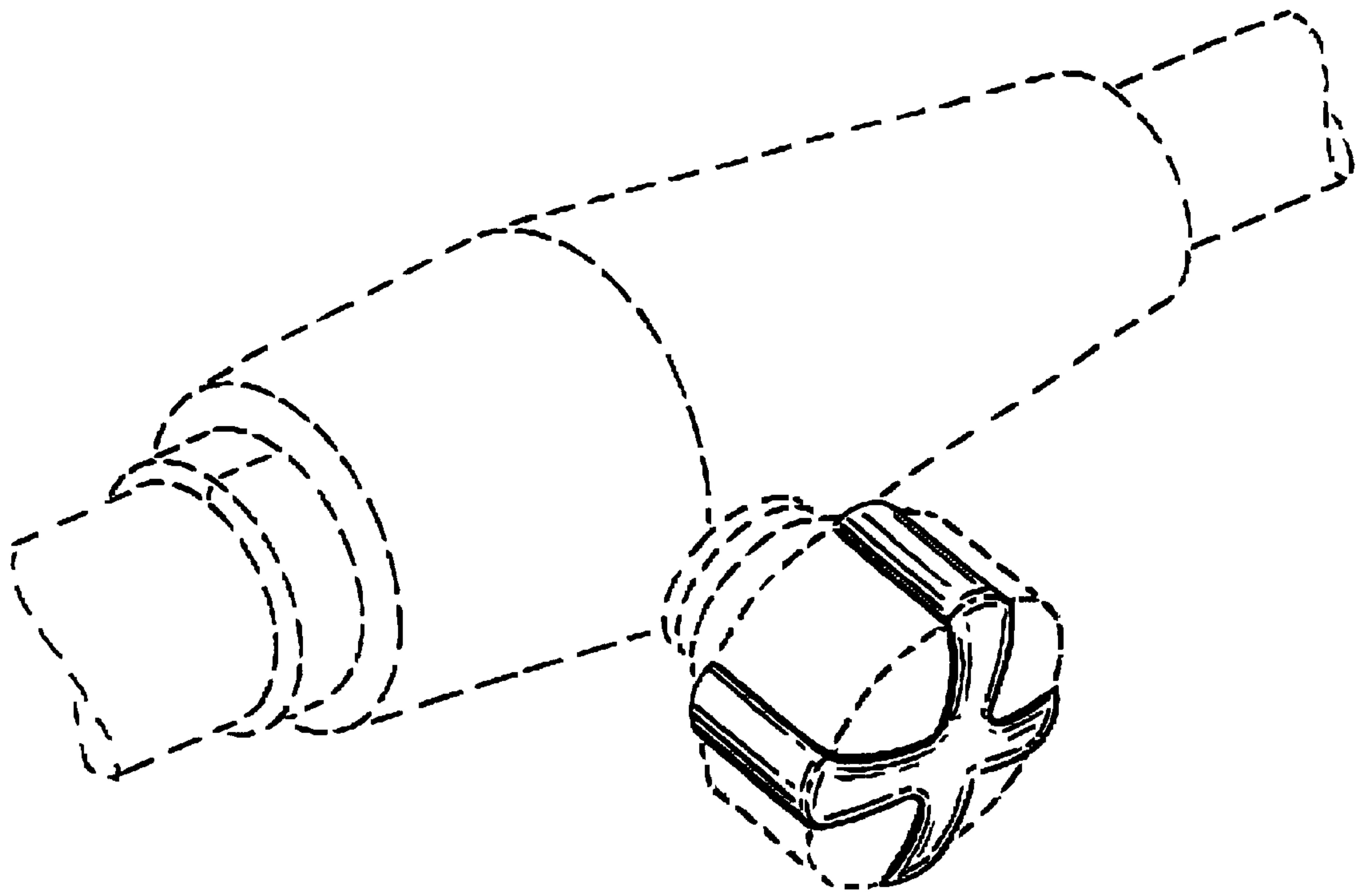


FIG. 1

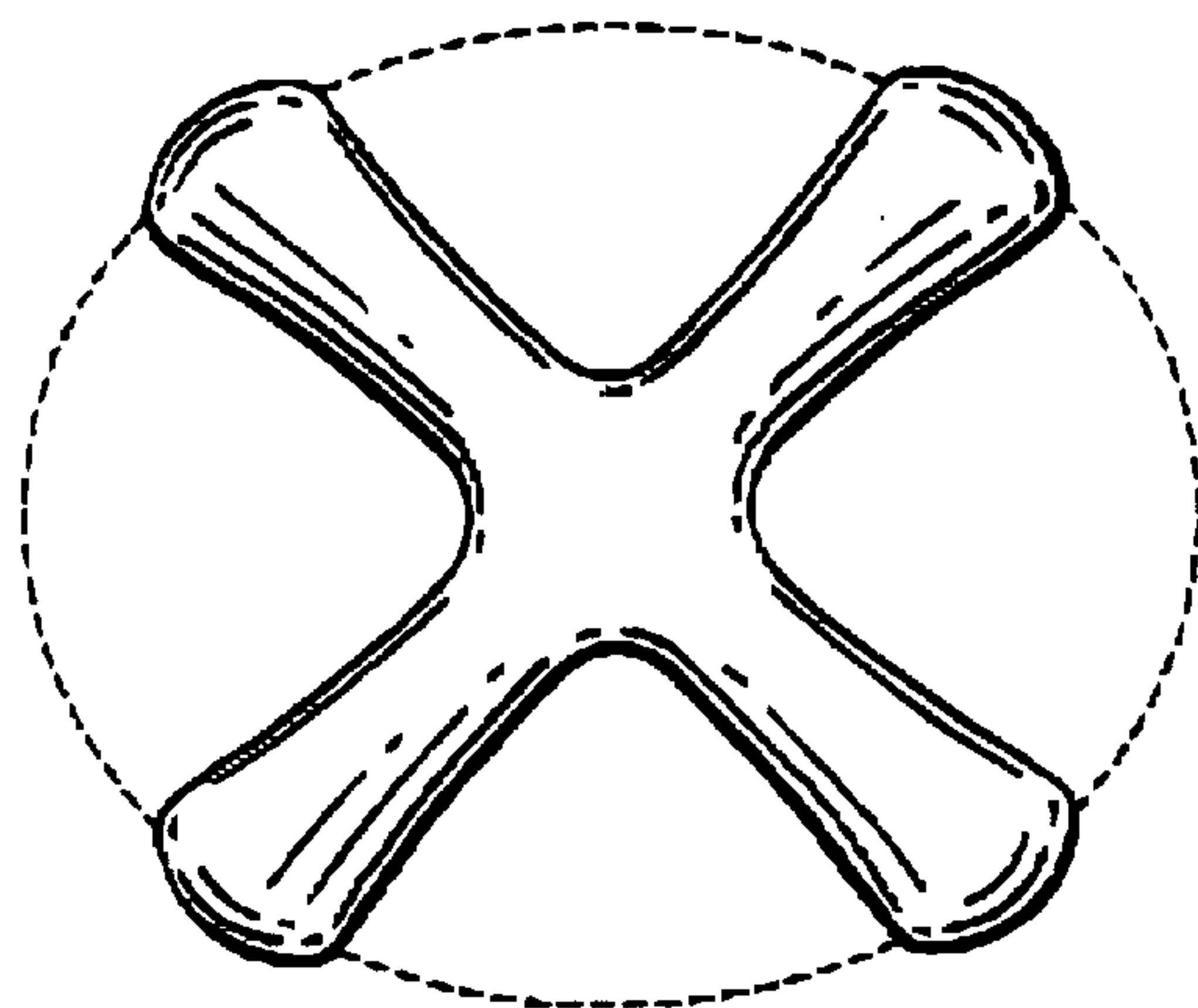


FIG. 2

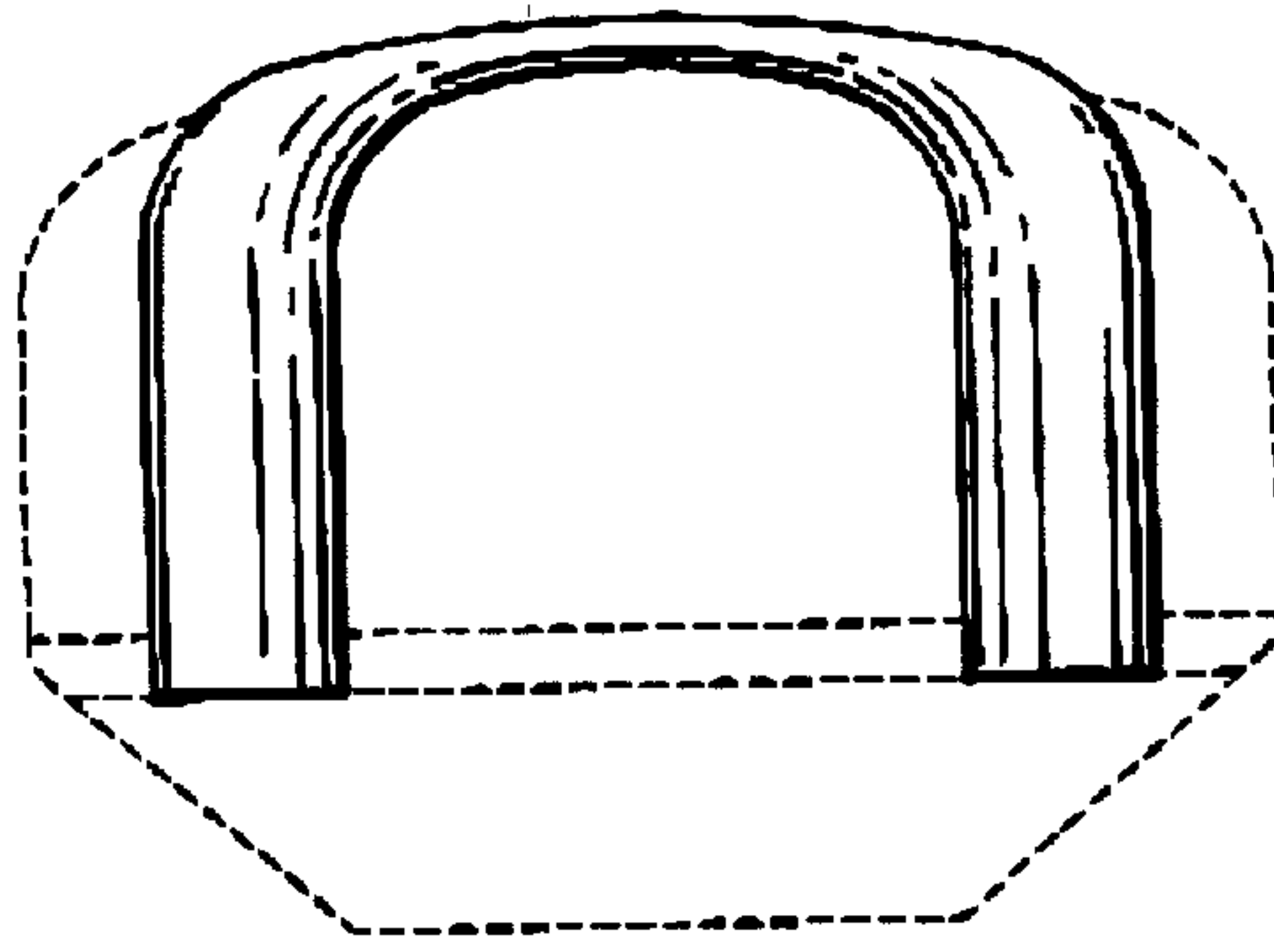


FIG. 3

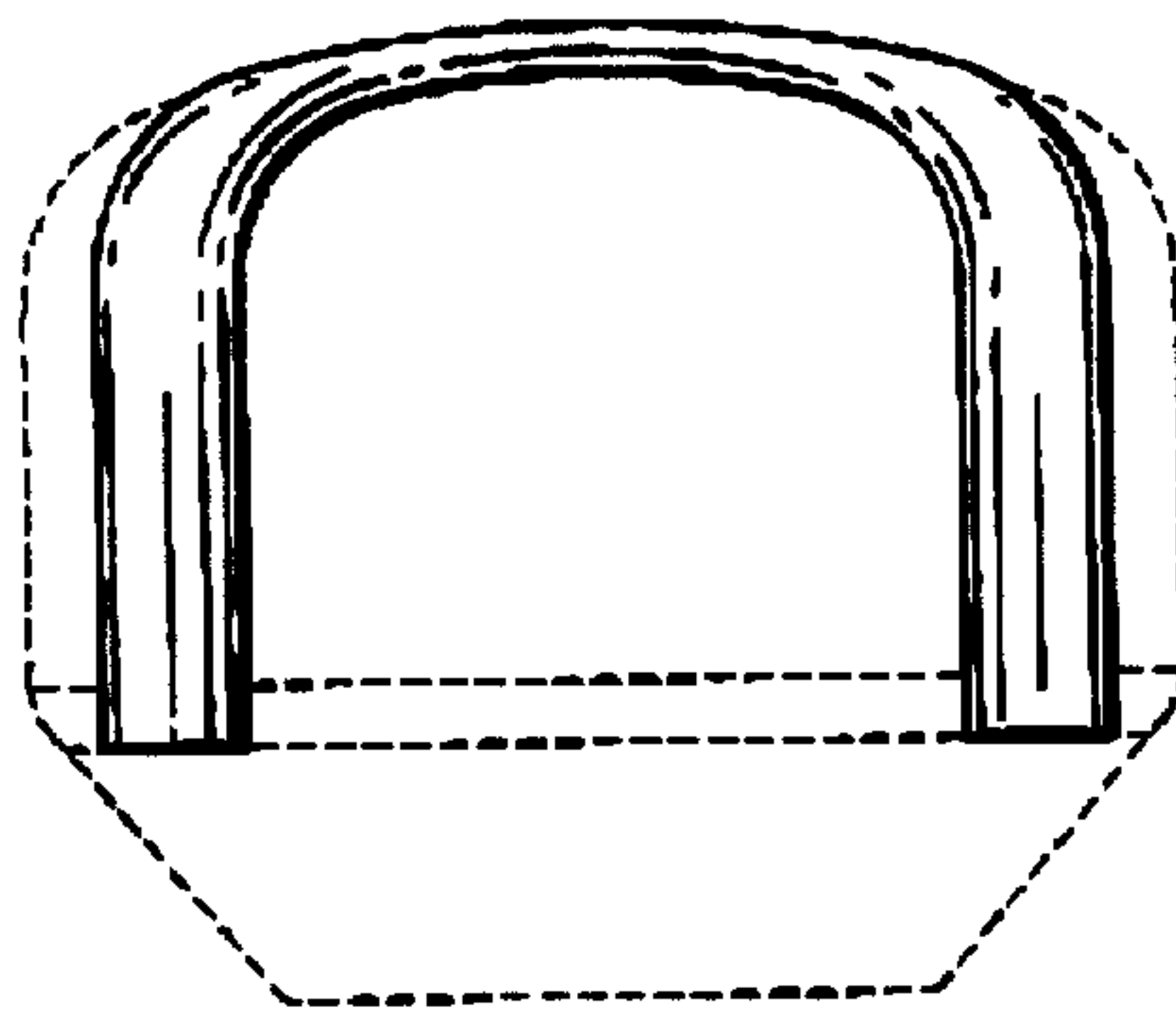


FIG. 4

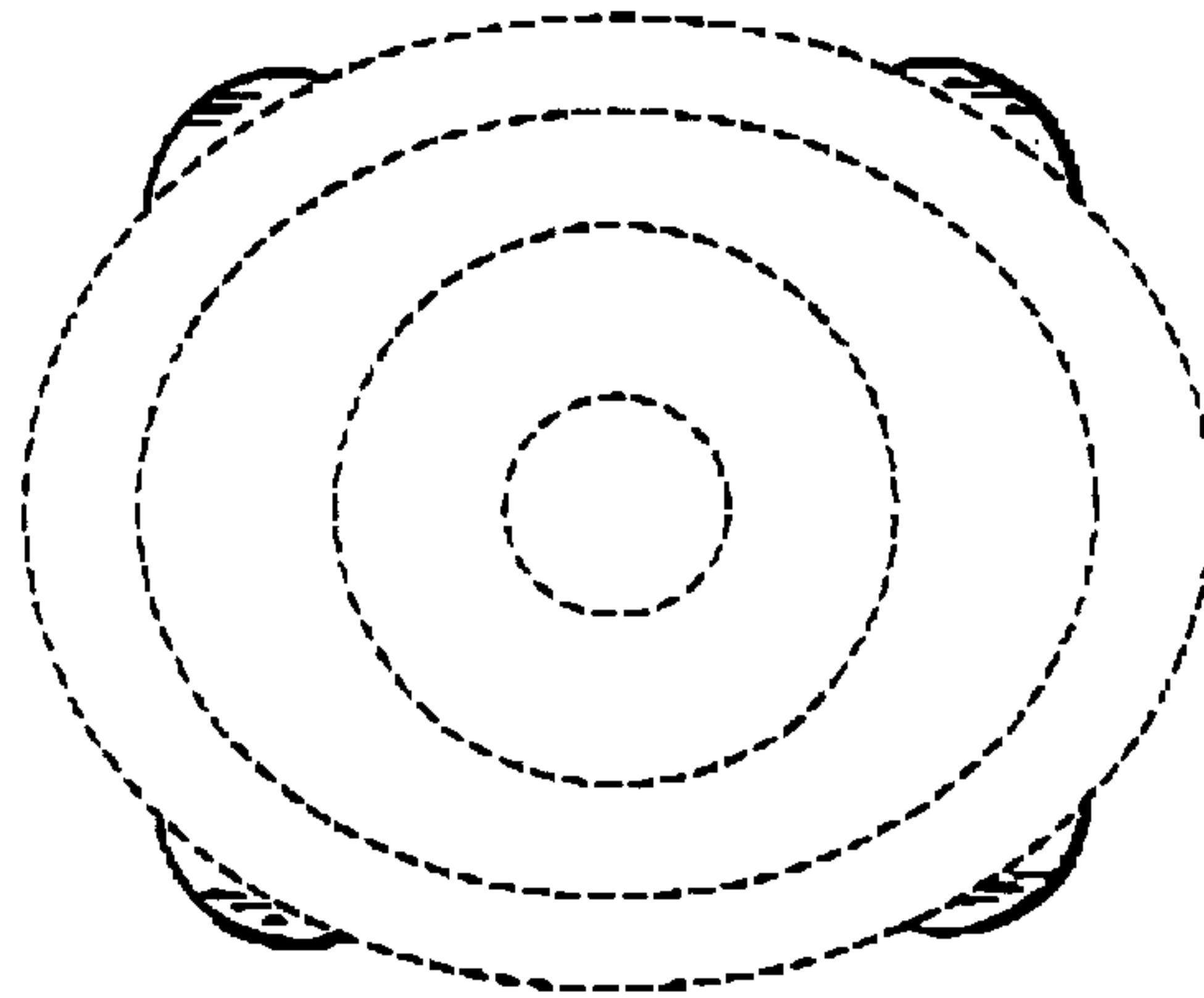


FIG. 5