



US00D484385S

(12) **United States Design Patent**  
**Sakai et al.**

(10) **Patent No.:** **US D484,385 S**

(45) **Date of Patent:** **\*\* Dec. 30, 2003**

(54) **PORTABLE ELECTRIC DRIVER**  
(75) Inventors: **Masato Sakai**, Hitachinaka (JP);  
**Katsuhiro Oomori**, Hitachinaka (JP);  
**Yoshihiro Komuro**, Hitachinaka (JP)  
(73) Assignee: **Hitachi Koki Co., Ltd.**, Tokyo (JP)  
(\*\*) Term: **14 Years**  
(21) Appl. No.: **29/182,222**  
(22) Filed: **May 22, 2003**  
(30) **Foreign Application Priority Data**  
Nov. 26, 2002 (JP) ..... 2002-032648

(51) **LOC (7) Cl.** ..... **08-05**  
(52) **U.S. Cl.** ..... **D8/68**  
(58) **Field of Search** ..... D8/14.1, 61, 62,  
D8/63, 64, 65, 66, 67, 68, 69, 70; 81/57.11,  
429, 464, 465, 466, 469, 489; 173/13, 169,  
178, 213, 217; 227/8, 114, 120, 130, 136,  
142; 310/50; 408/20, 124, 125, 234, 241 R;  
451/358

(56) **References Cited**  
**U.S. PATENT DOCUMENTS**  
D392,863 S \* 3/1998 Sugimoto et al. .... D8/68  
D426,126 S \* 6/2000 Schultz ..... D8/68

D440,850 S \* 4/2001 Ozawa et al. .... D8/68  
D475,596 S \* 6/2003 Ozawa et al. .... D8/68  
D477,205 S \* 7/2003 Sakai et al. .... D8/68

**FOREIGN PATENT DOCUMENTS**

JP 1123928 10/2001

\* cited by examiner

*Primary Examiner*—Doris V. Coles

*Assistant Examiner*—T. Chase Nelson

(74) *Attorney, Agent, or Firm*—Sughrue Mion, PLLC

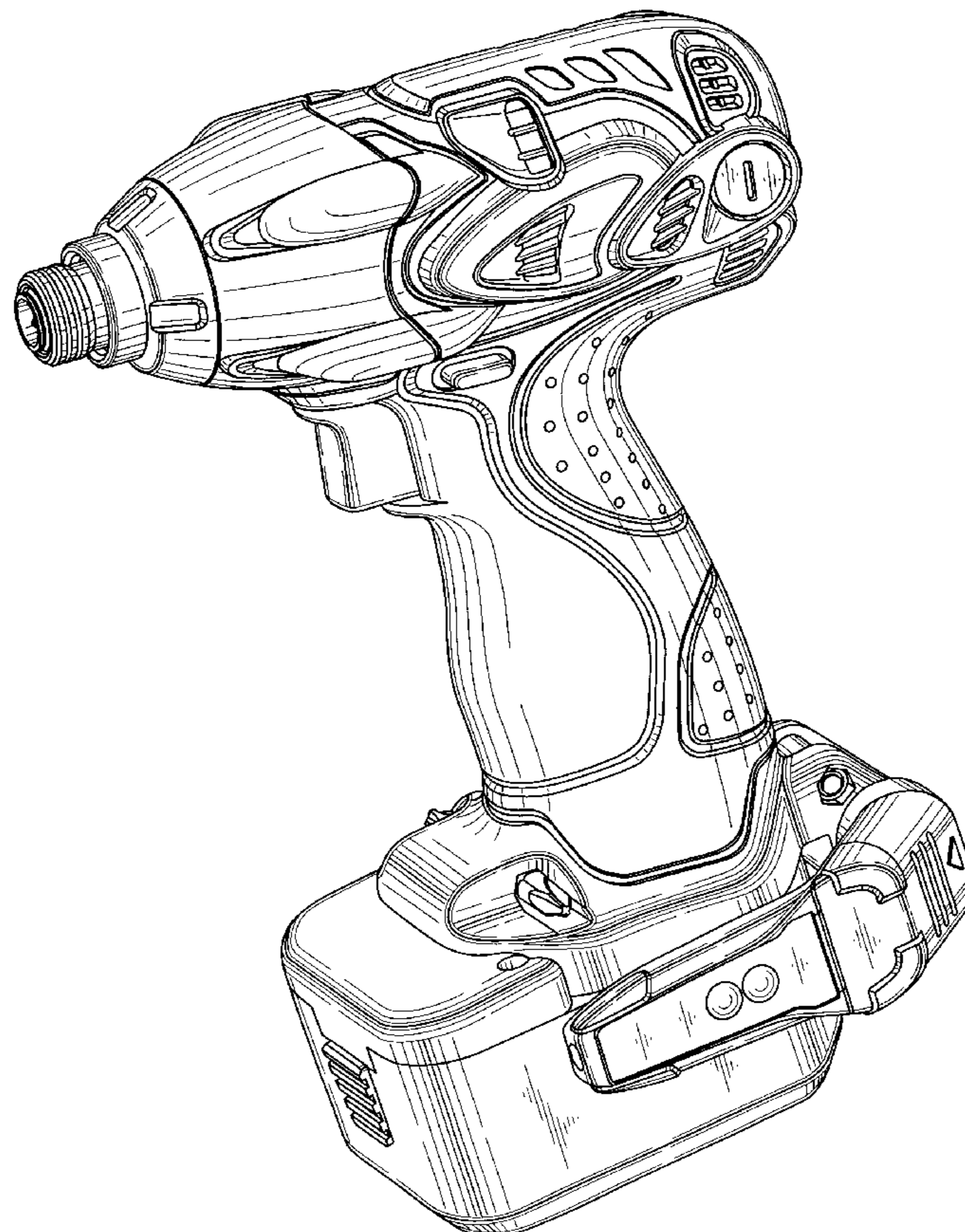
(57) **CLAIM**

The ornamental design for a portable electric driver, as shown and described.

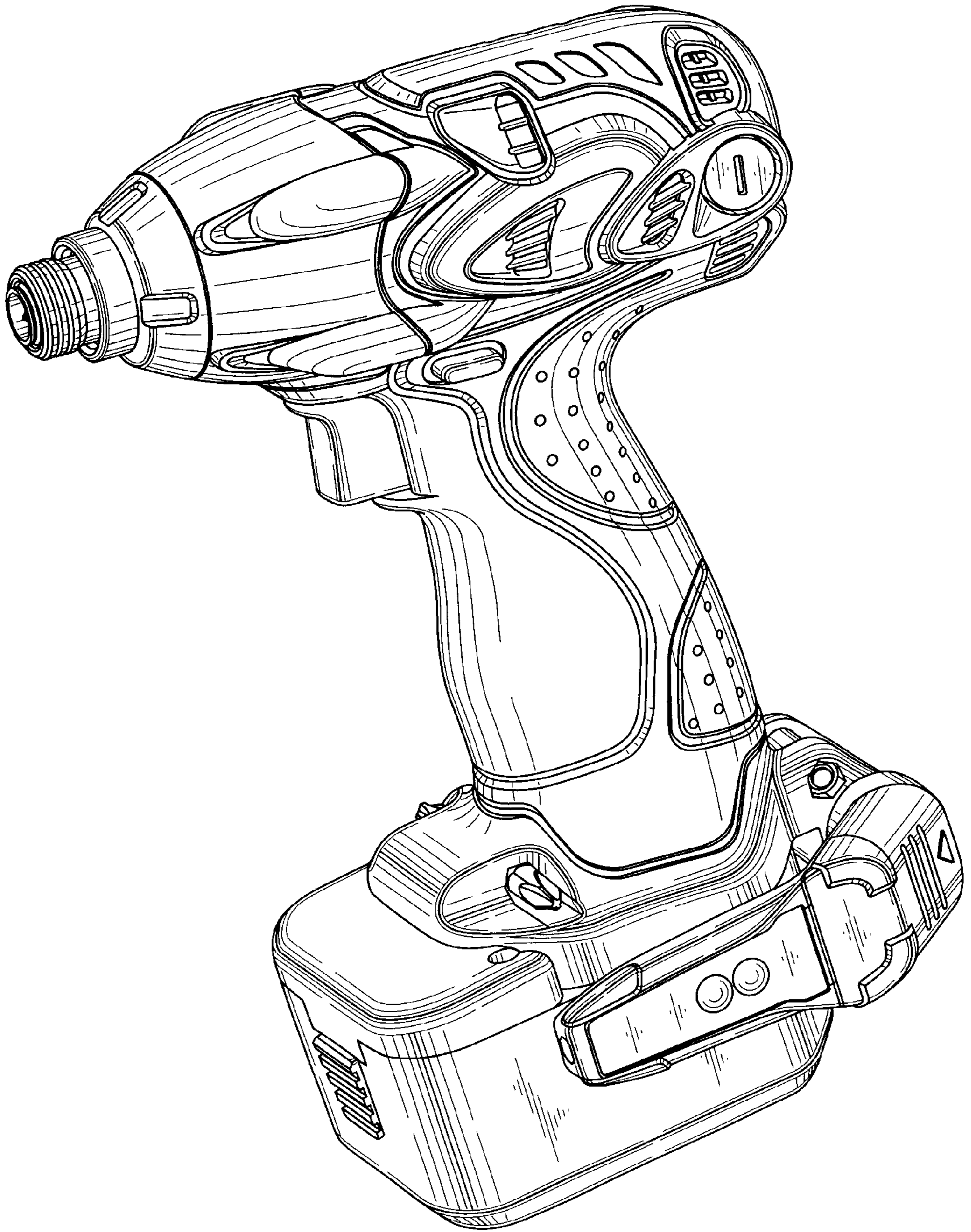
**DESCRIPTION**

FIG. 1 is a perspective view of the top, front and right side of a portable electric driver showing our new design; FIG. 2 is a right side elevational view thereof; FIG. 3 is a left side elevational view thereof; FIG. 4 is a front elevational view thereof; FIG. 5 is a rear elevational view thereof; FIG. 6 is a top plan view thereof; FIG. 7 is a bottom plan view thereof; and, FIG. 8 is a perspective view of the top rear and right side thereof with the hook disposed on the rear and pivoted upwardly.

**1 Claim, 7 Drawing Sheets**



*FIG. 1*



*FIG. 2*

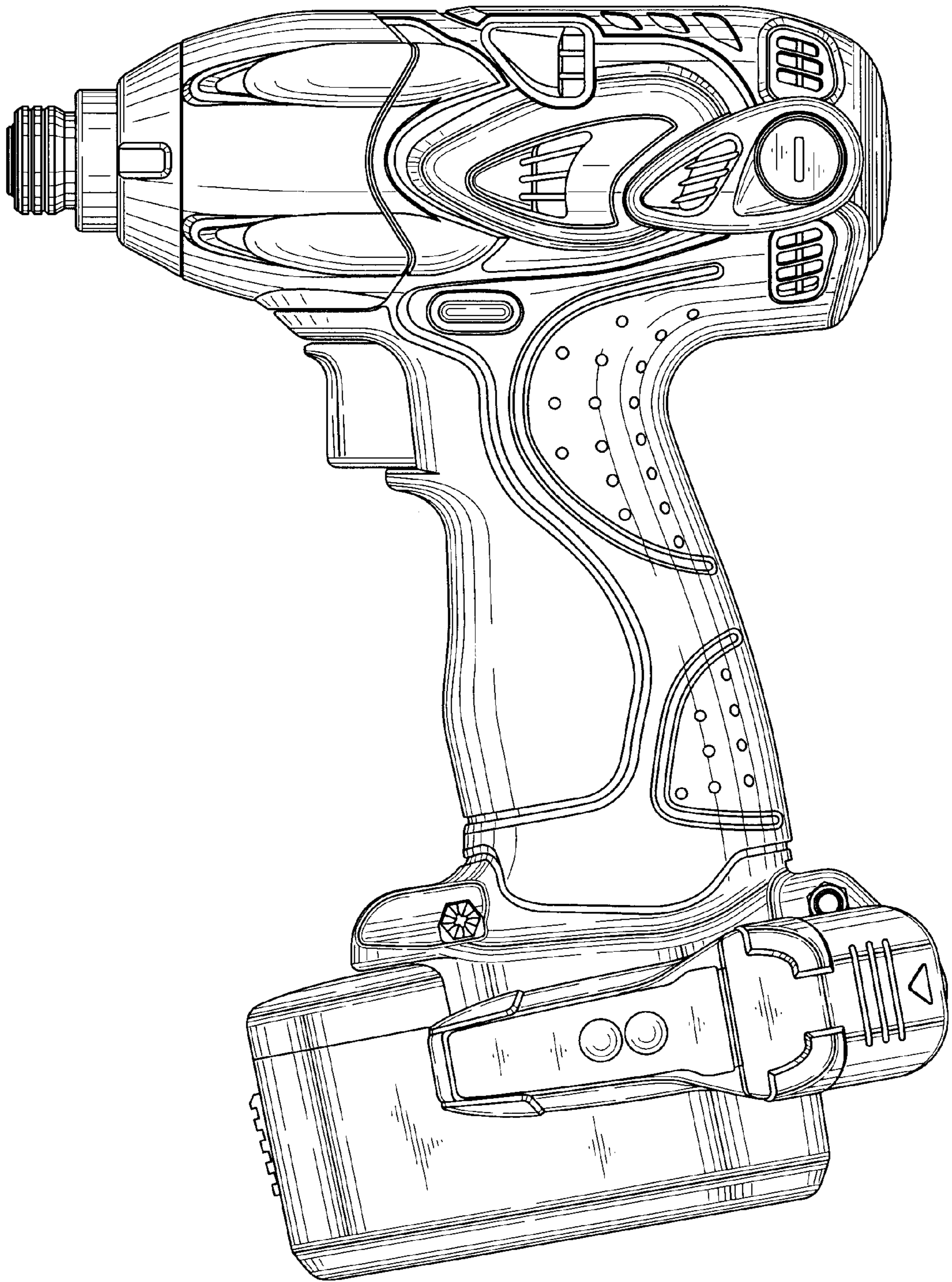
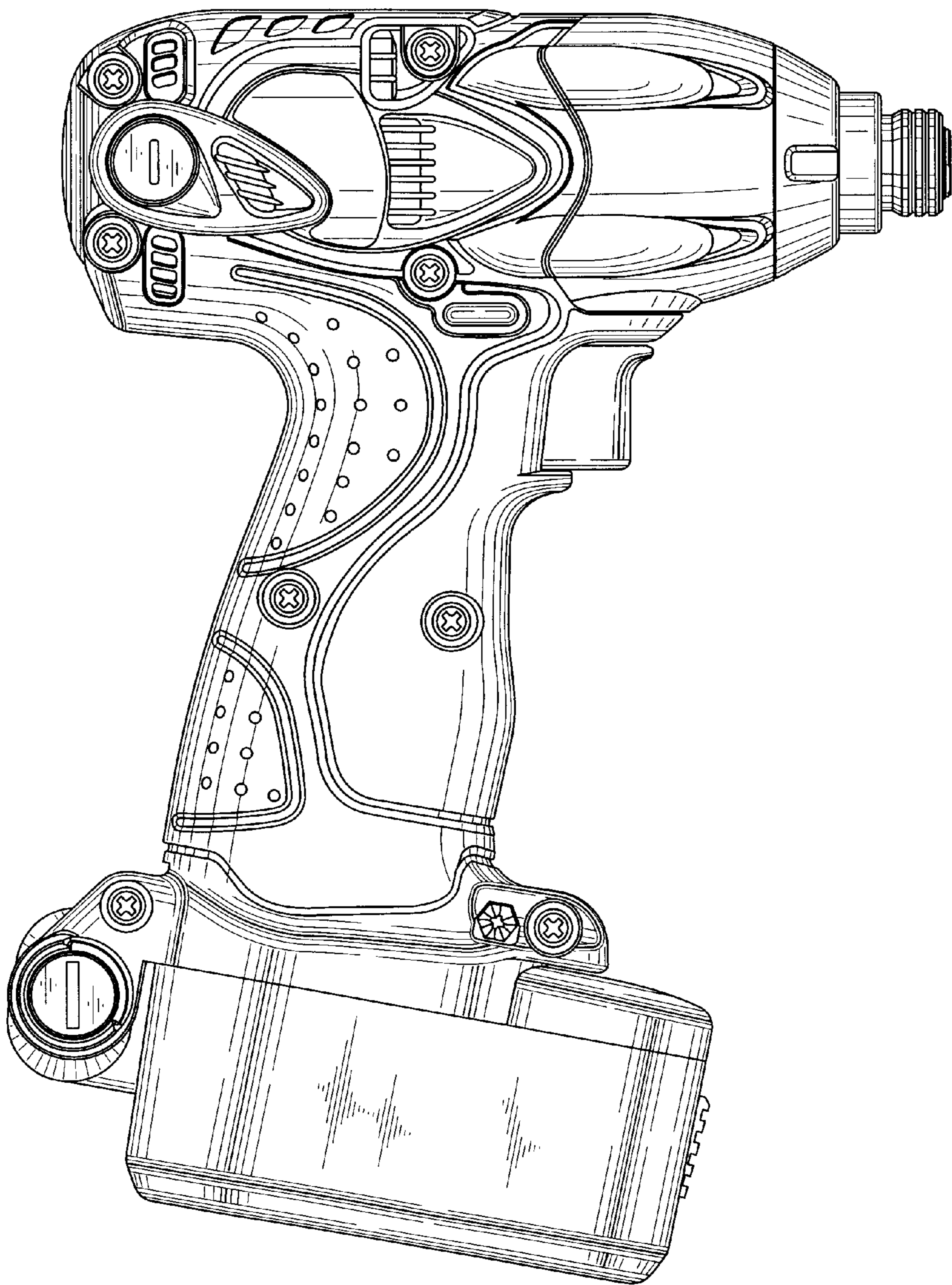
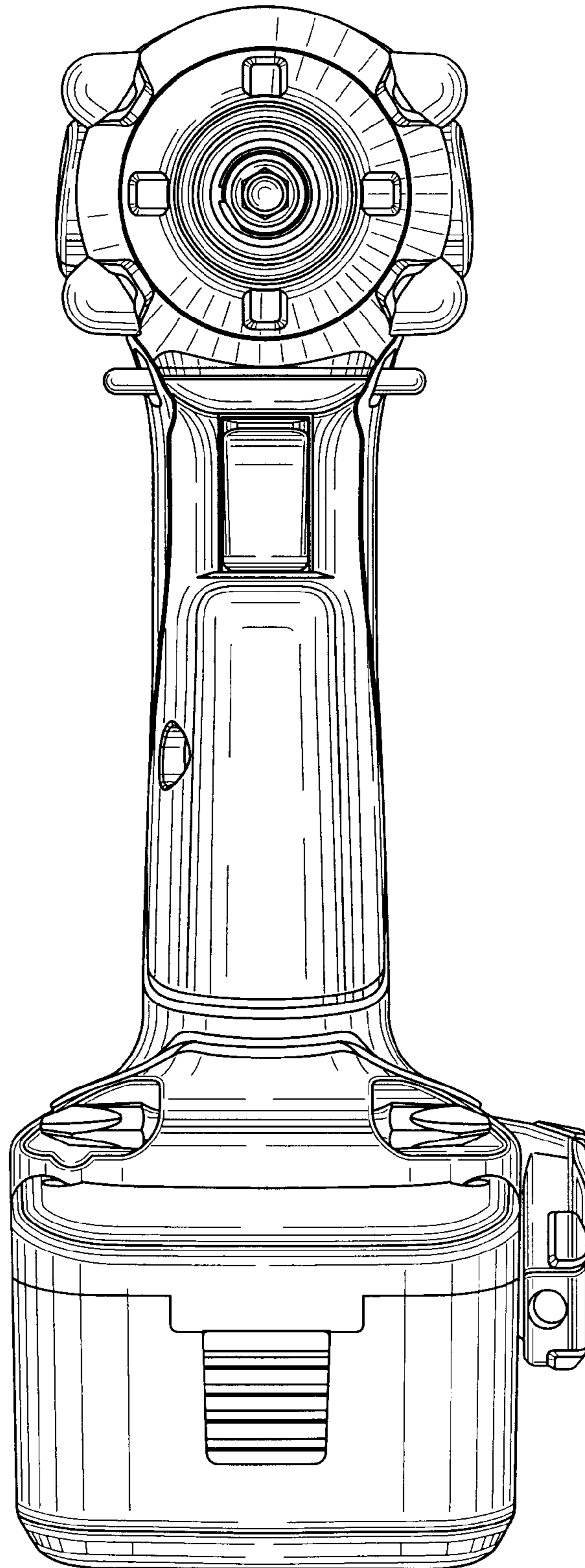


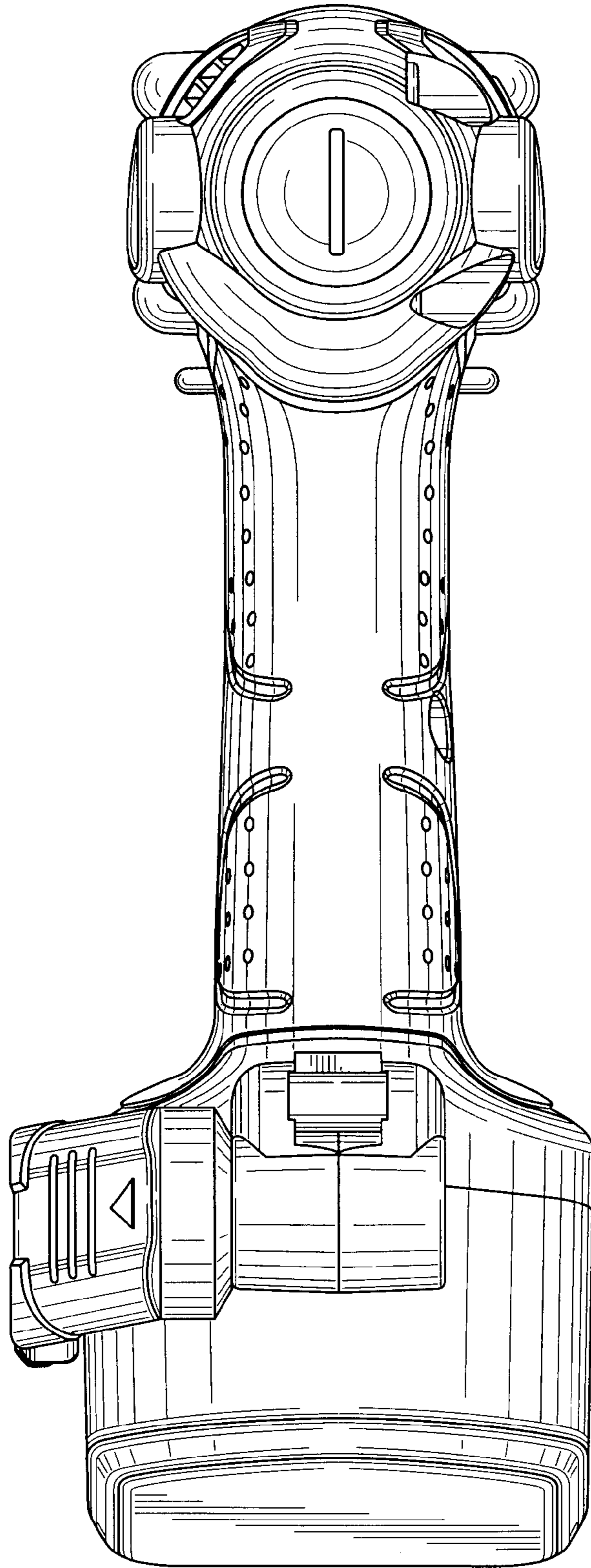
FIG. 3



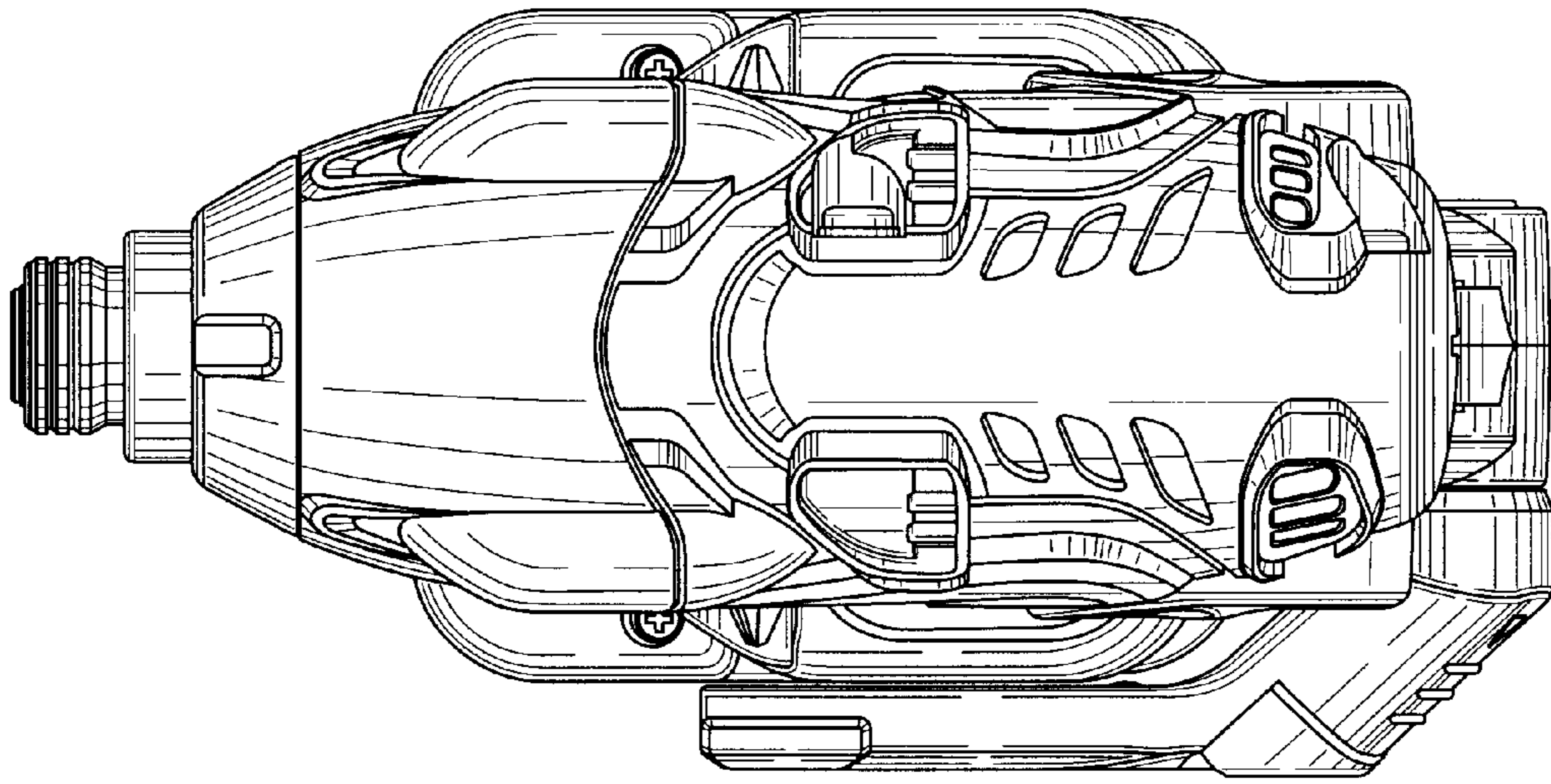
*FIG. 4*



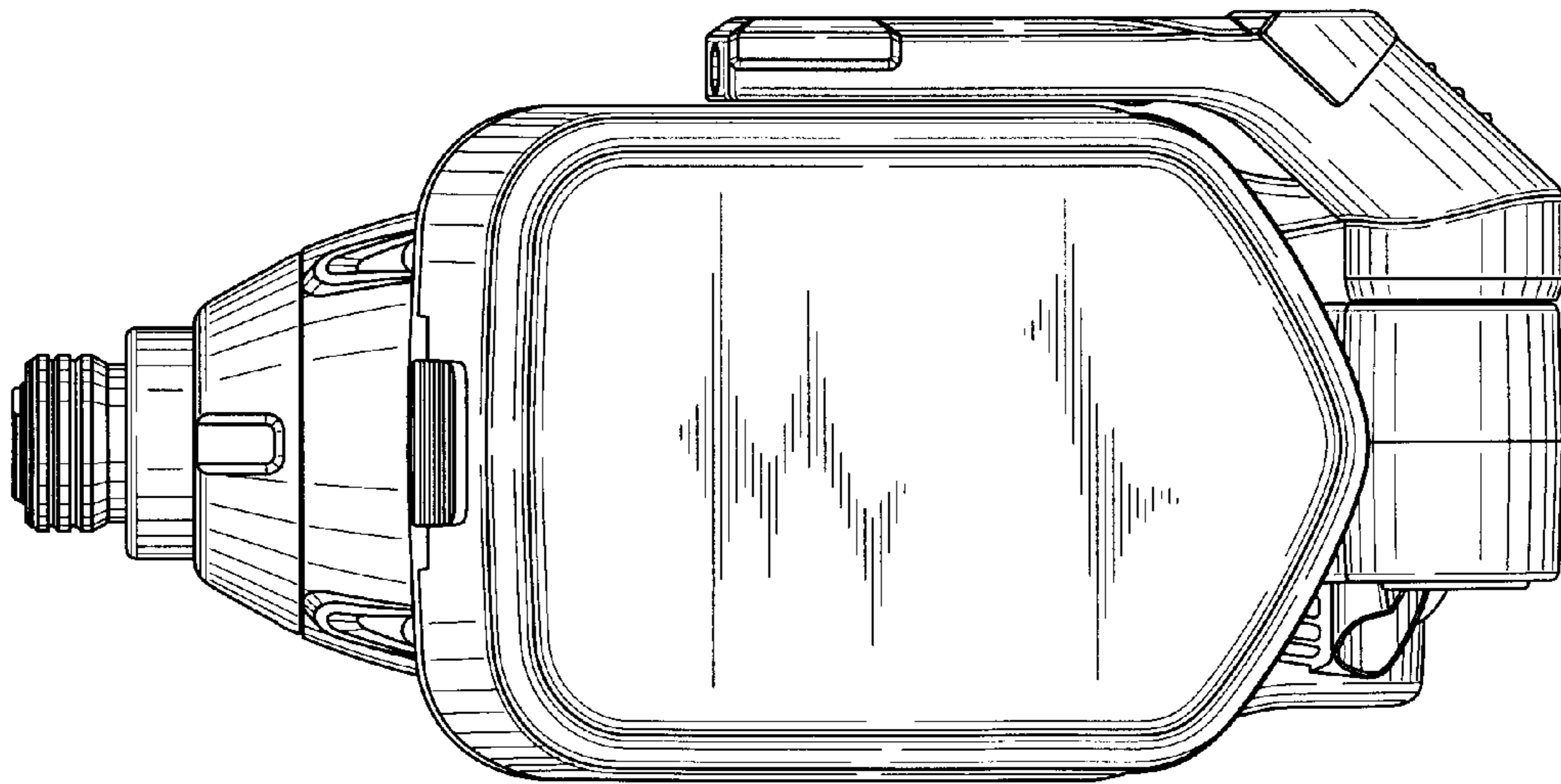
*FIG. 5*



*FIG. 6*



*FIG. 7*



*FIG. 8*

