



US00D484384S

(12) **United States Design Patent** (10) **Patent No.:** **US D484,384 S**
Ghode et al. (45) **Date of Patent:** **** Dec. 30, 2003**

(54) **CORDLESS POWER TOOL**
 (75) Inventors: **Anil P. Ghode**, Libertyville, IL (US);
Kenneth C. Happ, Burlington, WI
 (US); **Martin S. Scolaro**, Burlington,
 WI (US); **Isidro M. Alanis**, Kenosha,
 WI (US); **Scott H. Micoley**, Cedarburg,
 WI (US)

(73) Assignee: **Snap-on Technologies, Inc.**,
 Lincolnshire, IL (US)

(**) Term: **14 Years**

(21) Appl. No.: **29/180,508**

(22) Filed: **Apr. 24, 2003**

(51) **LOC (7) Cl.** **08-05**

(52) **U.S. Cl.** **D8/68**

(58) **Field of Search** D8/14.1, 61, 62,
 D8/63, 64, 65, 66, 67, 68, 69, 70; 81/57.11,
 429, 464, 465, 466, 469, 489; 173/13, 169,
 178, 213, 217; 227/8, 114, 120, 130, 136,
 142; 310/50; 408/20, 124, 125, 234, 241 R;
 451/358

(56) **References Cited**

U.S. PATENT DOCUMENTS

D296,412 S	6/1988	Nelson et al.	D8/68
D315,855 S	4/1991	Fushiya et al.	D8/68
D320,917 S	10/1991	Fushiya et al.	D8/68
D335,073 S	* 4/1993	Anthony et al.	D8/68
D339,046 S	9/1993	Fushiya et al.	D8/68
D342,430 S	12/1993	Saito et al.	D8/68
5,465,196 A	11/1995	Hasenberg et al.	362/183
D382,457 S	8/1997	Ghode et al.	D8/68
D392,863 S	3/1998	Sugimoto et al.	D8/68
D404,276 S	1/1999	Ghode et al.	D8/68
5,881,855 A	3/1999	Putney et al.	192/35
D409,776 S	5/1999	Ghode et al.	D26/42
5,941,360 A	8/1999	Putney et al.	192/150
6,043,575 A	* 3/2000	Ghode et al.	310/50
D424,902 S	5/2000	Gildersleeve et al.	D8/68
6,062,323 A	5/2000	Pusateri et al.	173/169

D437,761 S	2/2001	Okumura et al.	D8/68
6,227,308 B1	* 5/2001	Ghode et al.	173/93
D446,704 S	* 8/2001	Shibata et al.	D8/68
D458,101 S	6/2002	Hartman et al.	D8/61
D466,386 S	12/2002	Zurwelle	D8/68
6,488,451 B1	12/2002	Hartman	408/124
6,501,197 B1	12/2002	Cornog et al.	307/150
6,508,313 B1	* 1/2003	Carney et al.	173/217
D476,544 S	* 7/2003	Ghode et al.	D8/68
2002/0060082 A1	5/2002	Watanabe	173/176

OTHER PUBLICATIONS

“18 Volt ½ in. Impact Wrench Kit” Model No. 9079–22 from Milwaukee Tool Corporation Website www.milwaukee-tools.com, Jan. 24, 2003.

“Impact Wrench, Cordfree, 18 Volt, ½ Drive” Model No. CT3850 from Snap-on Website www.snapon.com, Jan. 24, 2003.

* cited by examiner

Primary Examiner—Doris V. Coles
Assistant Examiner—T. Chase Nelson

(74) *Attorney, Agent, or Firm*—Barnes & Thornburg

(57) **CLAIM**

The ornamental design for a cordless power tool, as shown and described.

DESCRIPTION

FIG. 1 is a perspective view of the cordless power tool, a battery unit and a lanyard attached to the cordless power tool being shown in broken line;

FIG. 2 is a perspective view as shown in FIG. 1 with the battery unit and lanyard being removed;

FIG. 3 is a left side view thereof; the right side view is not shown as it is a mirror image of the left side view;

FIG. 4 is a rear elevational view thereof;

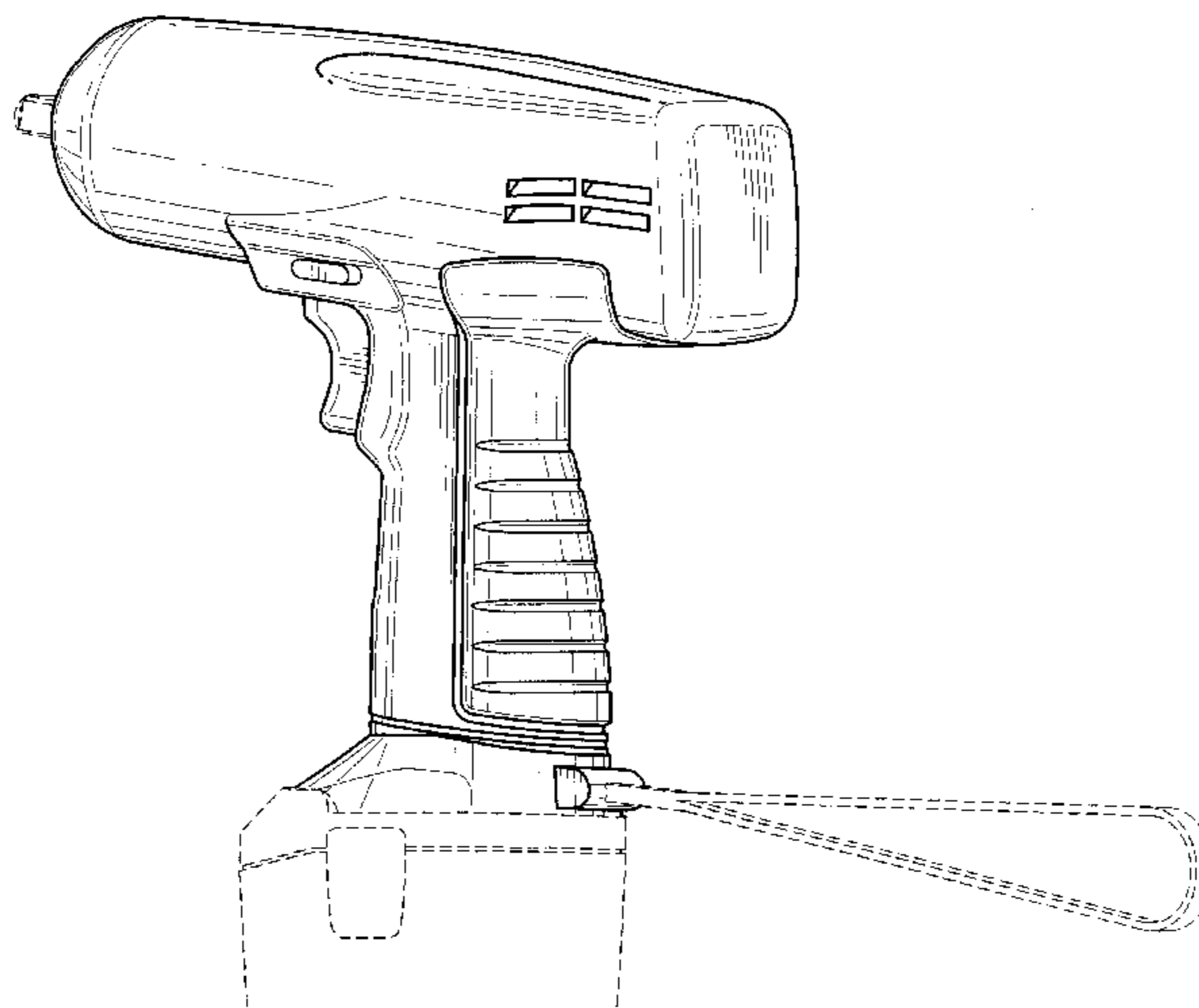
FIG. 5 is a front elevational view thereof;

FIG. 6 is a top plan view thereof; and,

FIG. 7 is a bottom plan view thereof.

The broken lines are shown in the views for illustrative purposes only and form no part of the claimed invention.

1 Claim, 4 Drawing Sheets



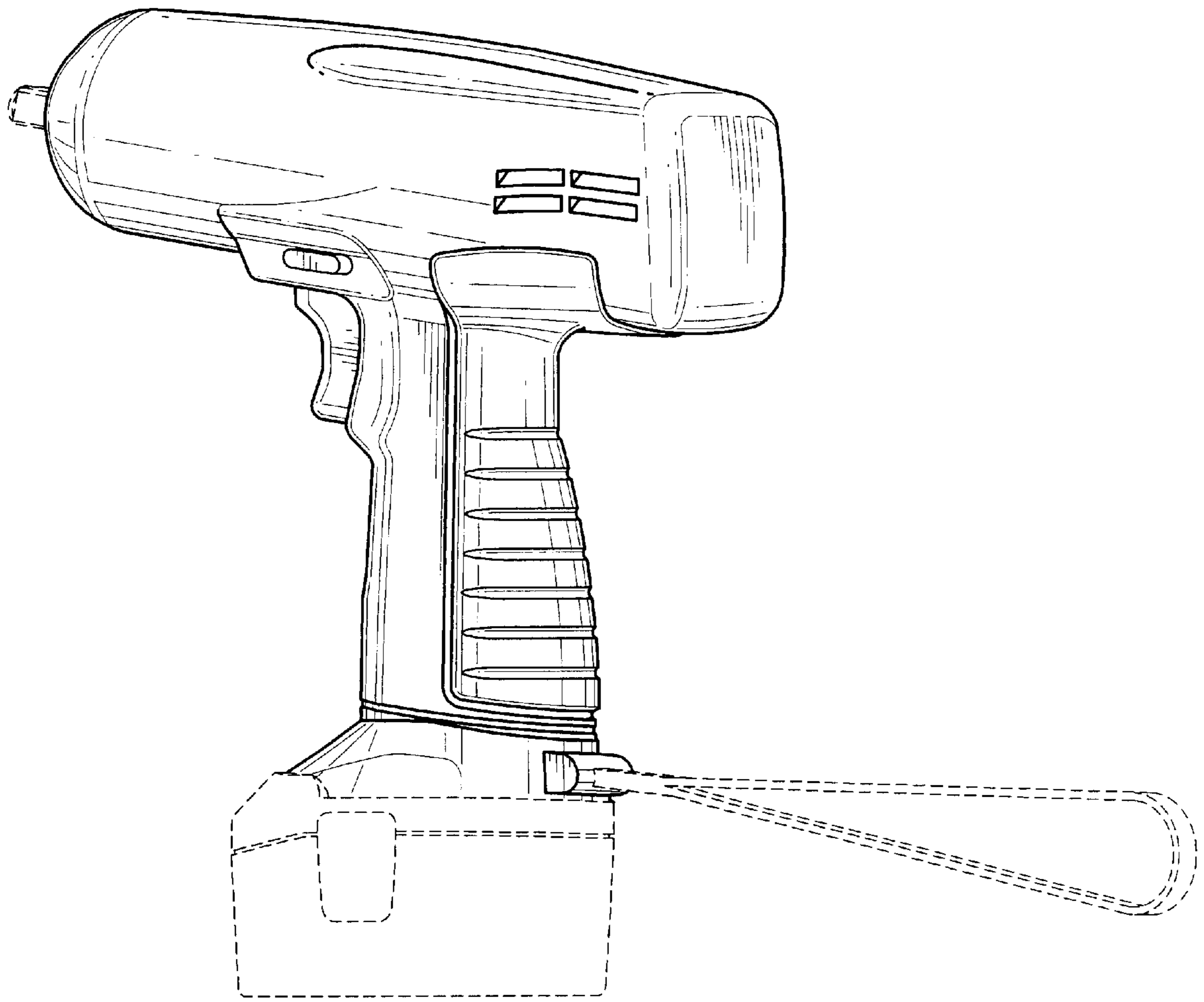


FIG. 1



FIG. 2

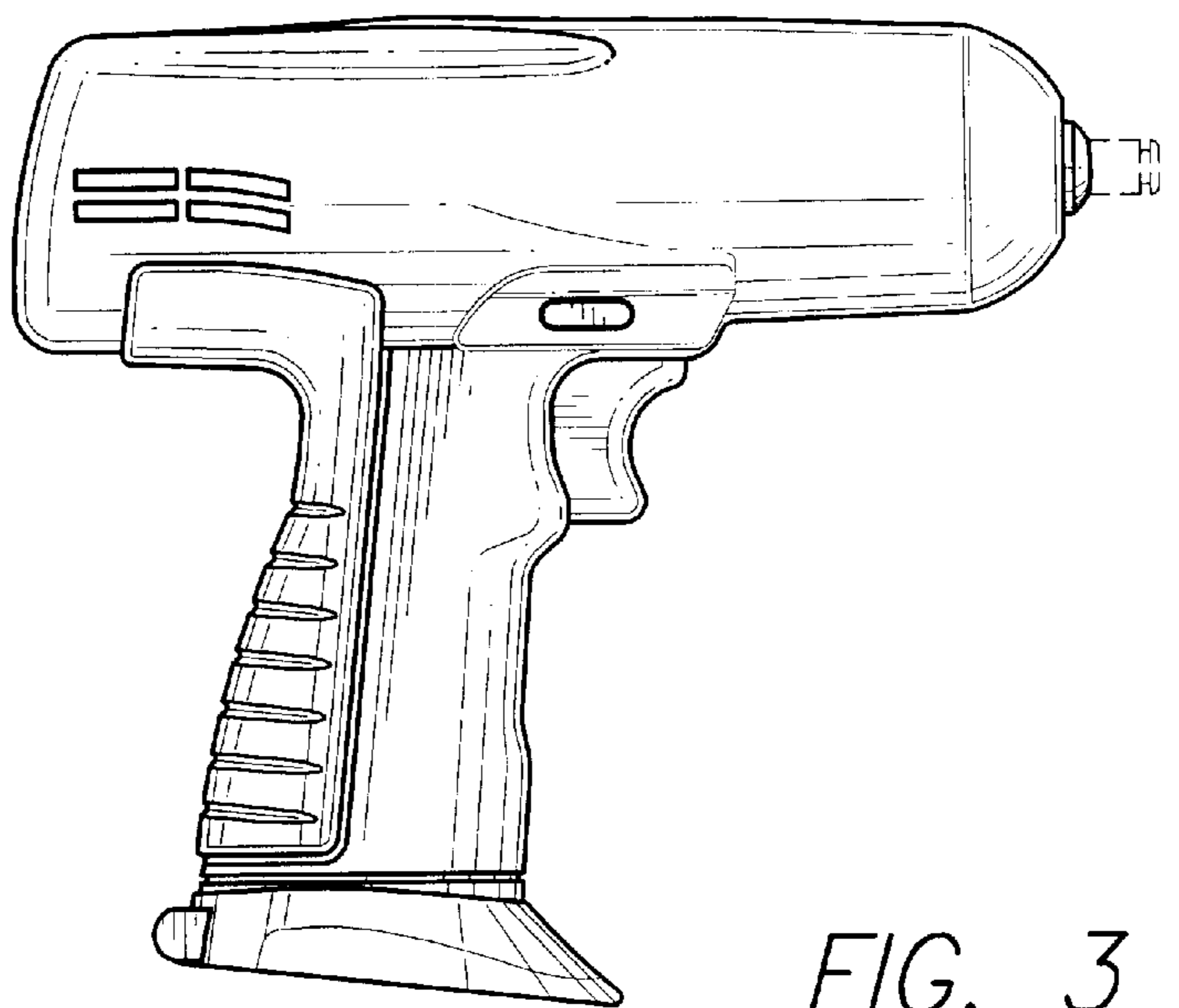


FIG. 3

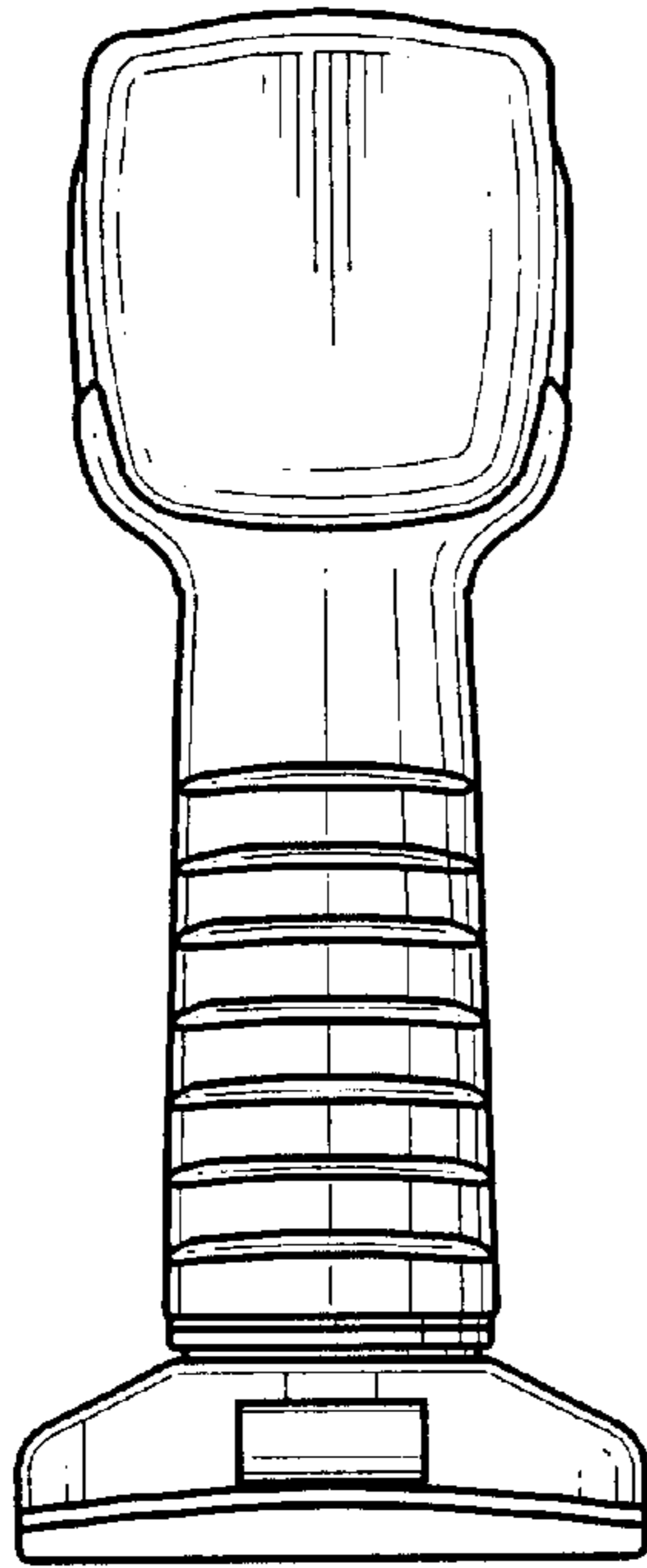


FIG. 4

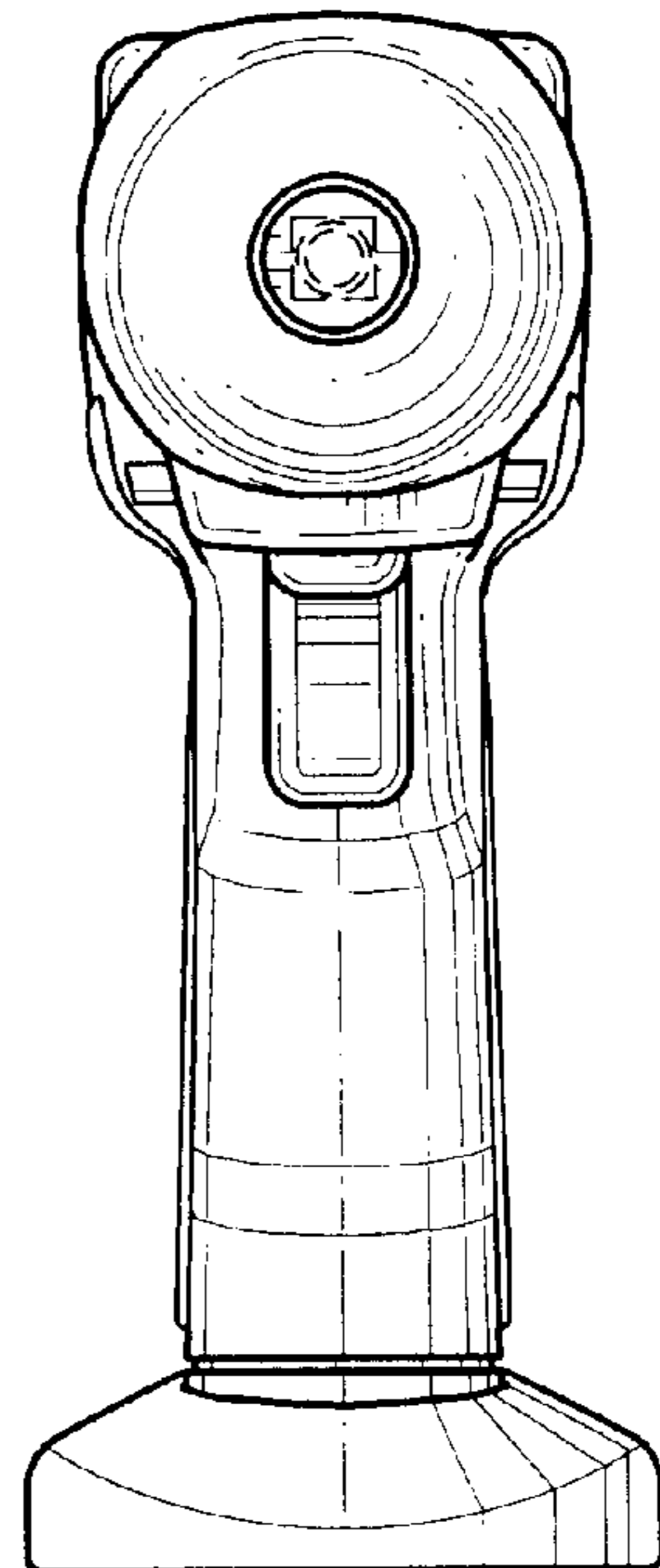


FIG. 5

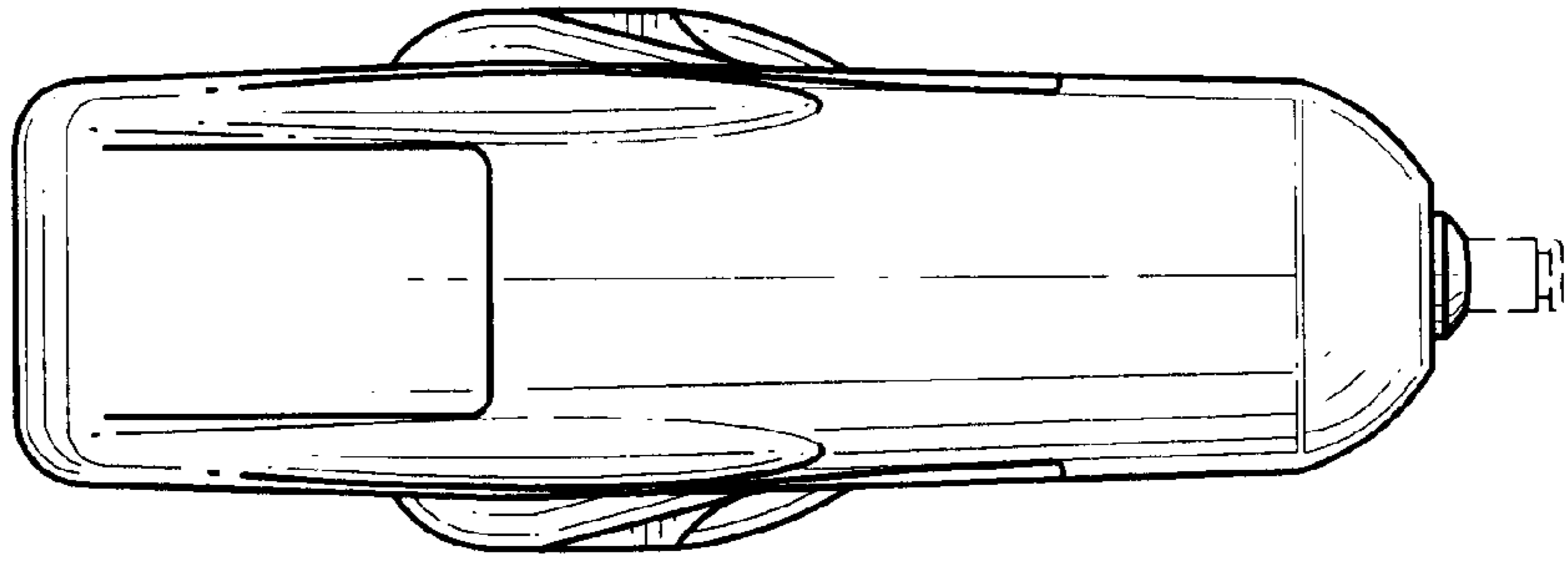


FIG. 6

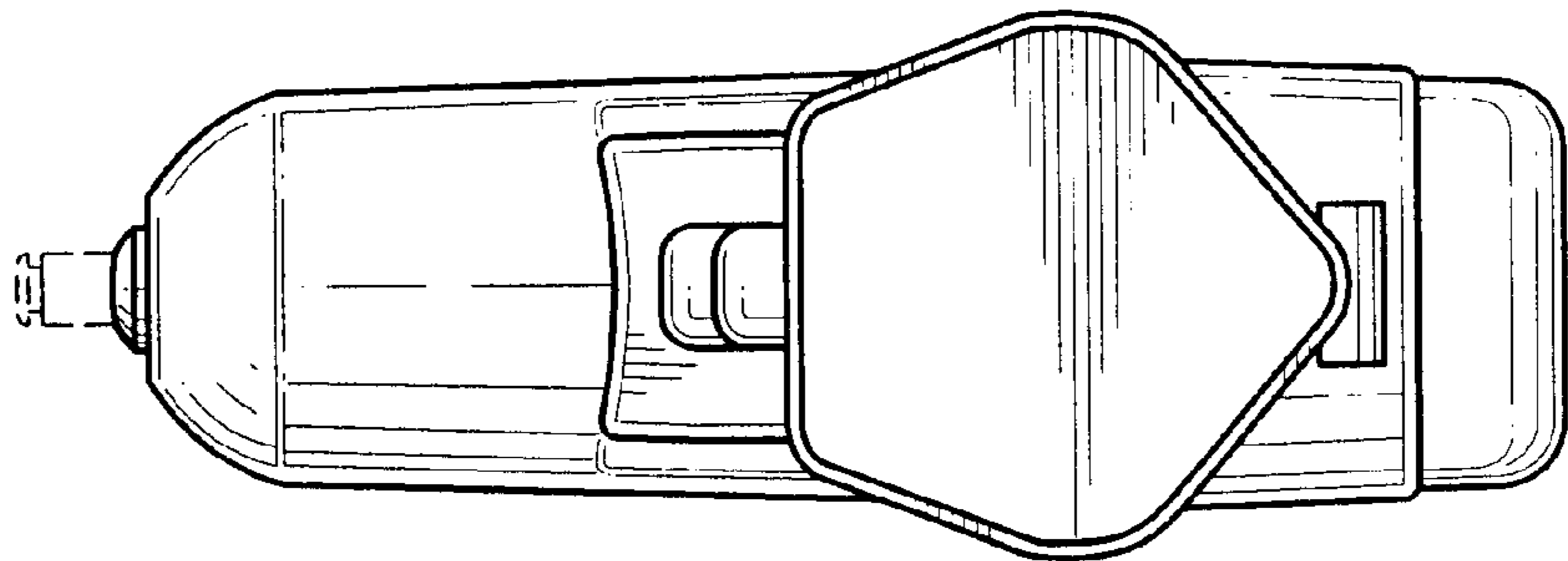


FIG. 7