



US00D484383S

(12) **United States Design Patent**
Yang

(10) **Patent No.:** **US D484,383 S**

(45) **Date of Patent:** **** Dec. 30, 2003**

(54) **NAILER HOUSING**

(75) **Inventor:** **Brad Yang, Tali (TW)**

(73) **Assignee:** **Testo Industry Corp., Taichung Hsien (TW)**

(**) **Term:** **14 Years**

(21) **Appl. No.:** **29/179,633**

(22) **Filed:** **Apr. 14, 2003**

(51) **LOC (7) Cl.** **08-05**

(52) **U.S. Cl.** **D8/68**

(58) **Field of Search** D8/14.1, 61, 62, D8/63, 64, 65, 66, 67, 68, 69, 70; 81/57.11, 429, 464, 465, 466, 469, 489; 173/13, 169, 178, 213, 217; 227/8, 114, 120, 130, 136, 142; 310/50; 408/20, 124, 125, 234, 241 R; 451/358

(56) **References Cited**

U.S. PATENT DOCUMENTS

D316,022 S	*	4/1991	Moraht	D8/68
5,193,730 A	*	3/1993	Tanaka et al.	227/136
D348,382 S	*	7/1994	Kaiser	D8/69
D353,664 S	*	12/1994	Eminger et al.	D8/69
D377,592 S	*	1/1997	Hattori	D8/69
D379,912 S	*	6/1997	Burke et al.	D8/68
D383,657 S	*	9/1997	Kaiser	D8/69
D387,260 S	*	12/1997	Hattori	D8/69

5,715,982 A	*	2/1998	Adachi	227/142
D392,170 S	*	3/1998	Hattori	D8/68
5,842,625 A	*	12/1998	Kimura	227/120
6,036,072 A	*	3/2000	Lee	227/120
D432,882 S	*	10/2000	Matsuoka et al.	D8/68
D435,770 S	*	1/2001	Arai	D8/68
6,296,167 B1	*	10/2001	Jen	227/136
D466,781 S	*	12/2002	Matsuoka et al.	D8/69
D474,091 S	*	5/2003	Arai	D8/69
D474,386 S	*	5/2003	Arai	D8/69
D475,597 S	*	6/2003	Arai	D8/68
6,592,016 B2	*	7/2003	Hamano et al.	227/120

* cited by examiner

Primary Examiner—Doris V. Coles

Assistant Examiner—T. Chase Nelson

(74) *Attorney, Agent, or Firm*—Rosenberg, Klein & Lee

(57) **CLAIM**

The ornamental design for a nailer housing, as shown.

DESCRIPTION

FIG. 1 is a perspective view of a nailer housing, showing my new design;

FIG. 2 is a front elevational view thereof;

FIG. 3 is a rear elevational view thereof;

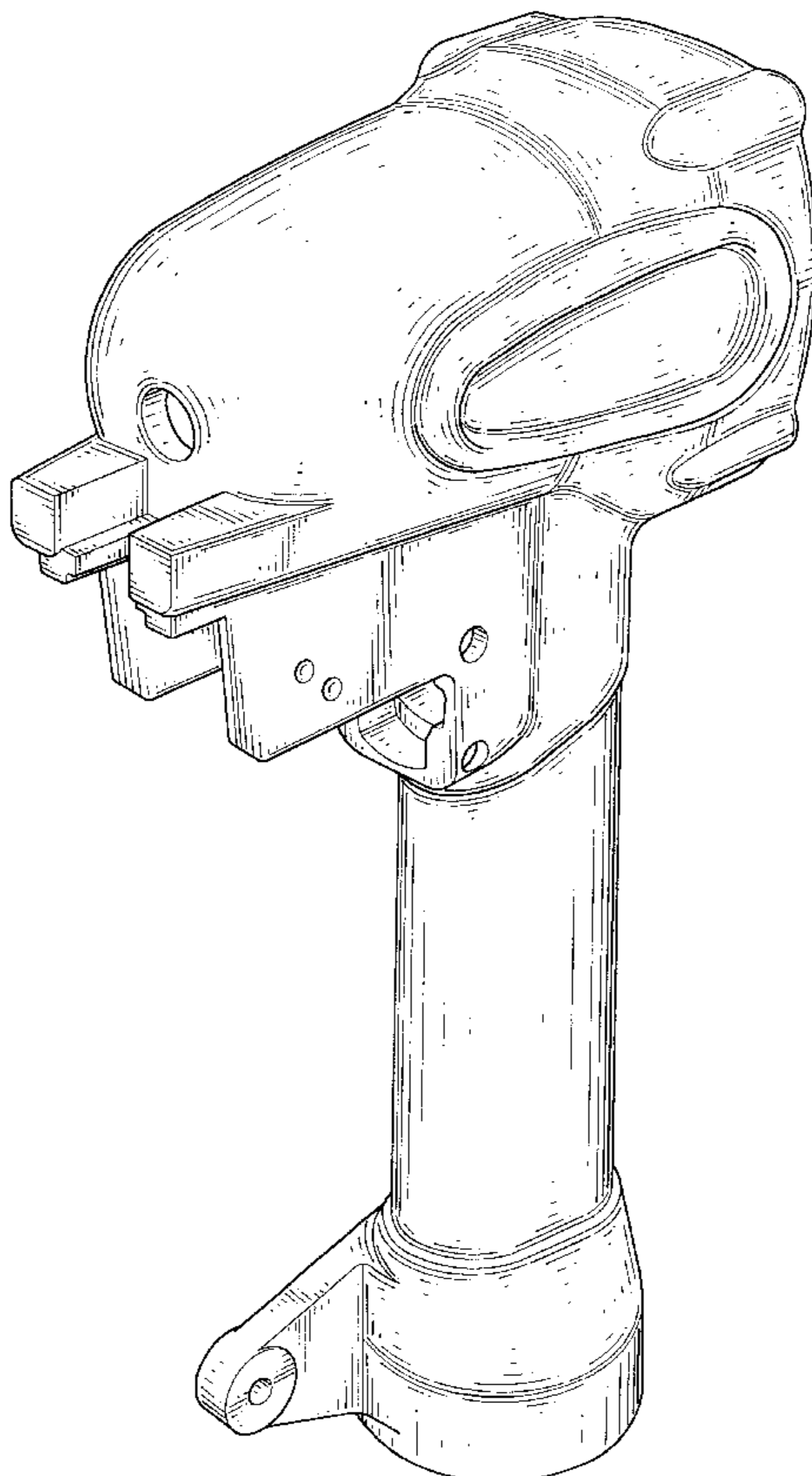
FIG. 4 is a left side elevational view thereof;

FIG. 5 is a right side elevational view thereof;

FIG. 6 is a top plan view thereof; and,

FIG. 7 is a bottom plan view thereof.

1 Claim, 6 Drawing Sheets



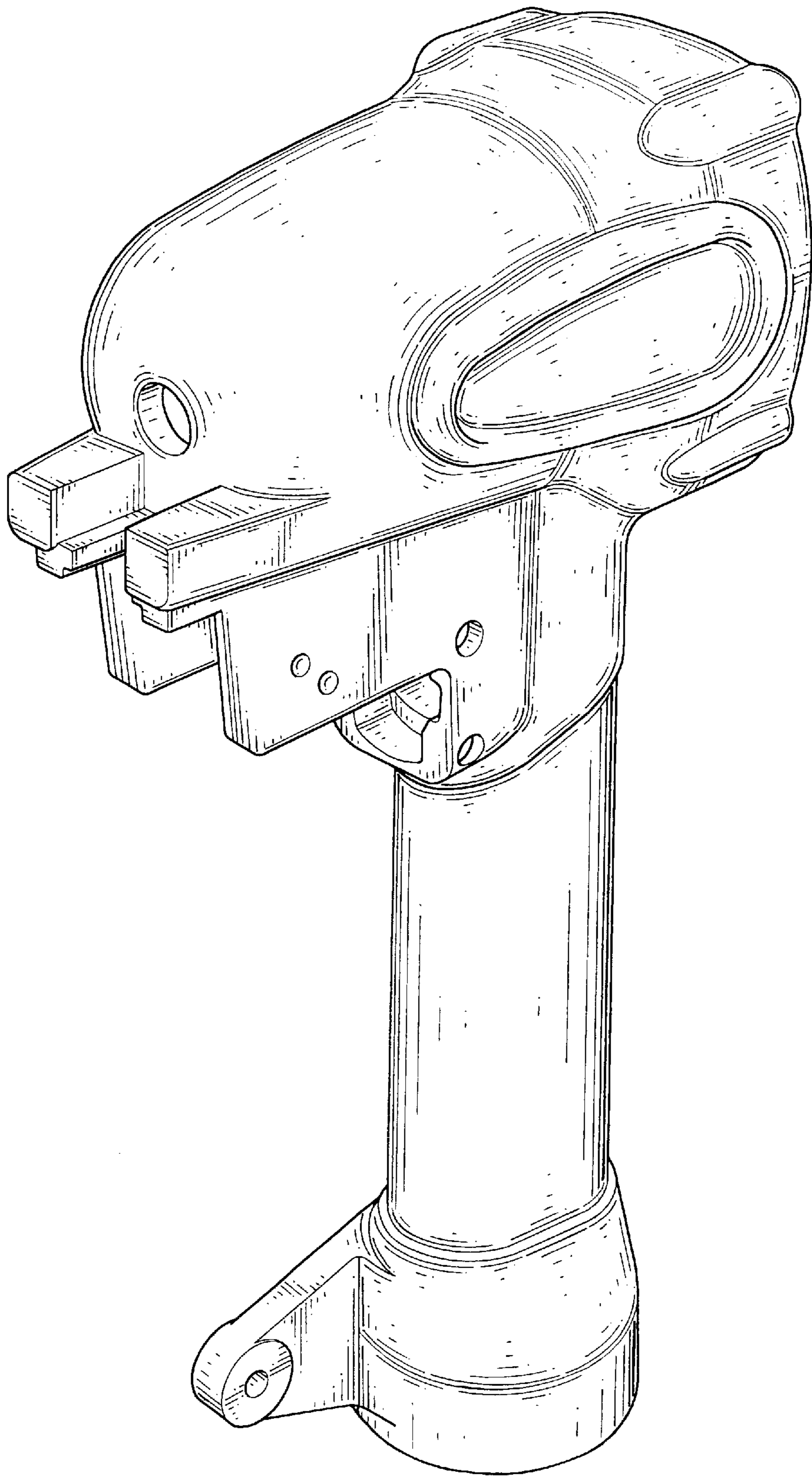


FIG. 1

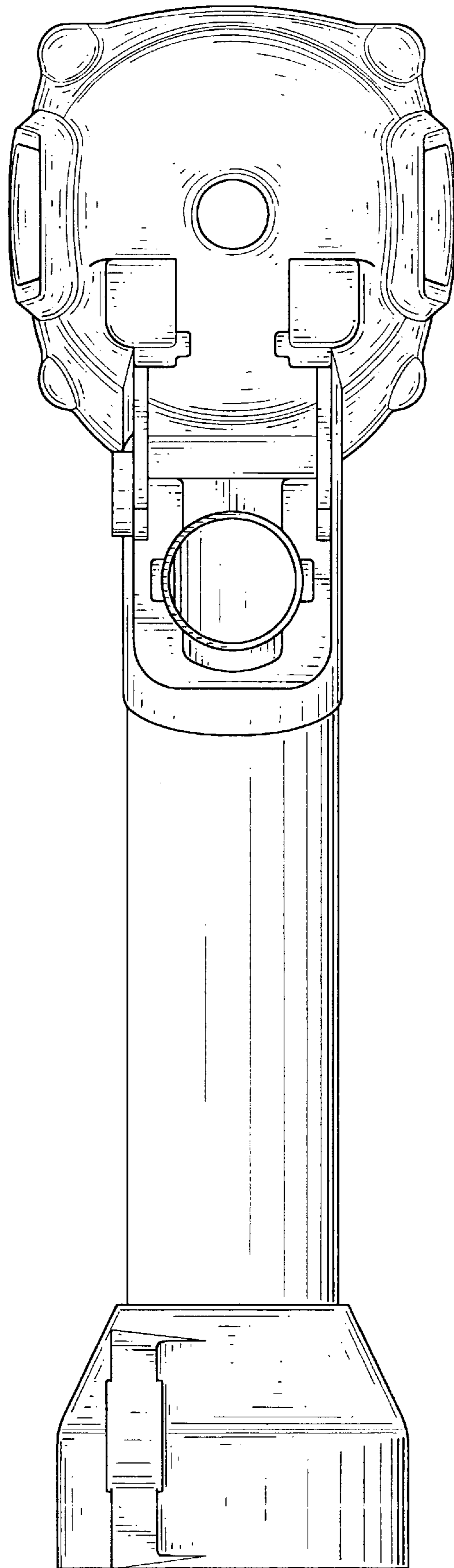


FIG.2

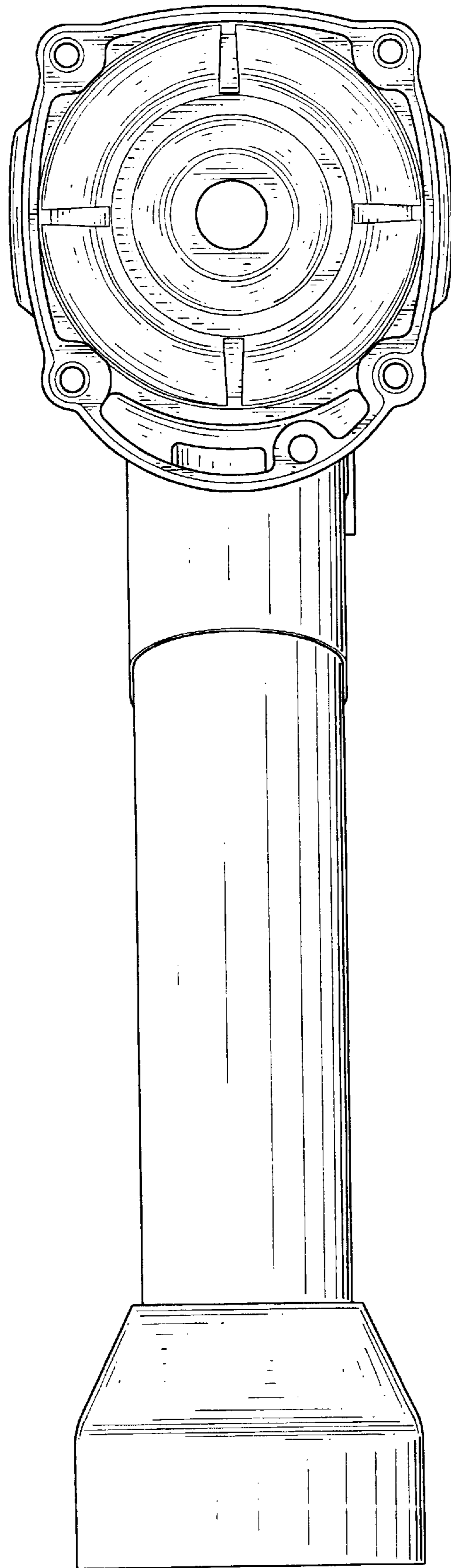


FIG.3

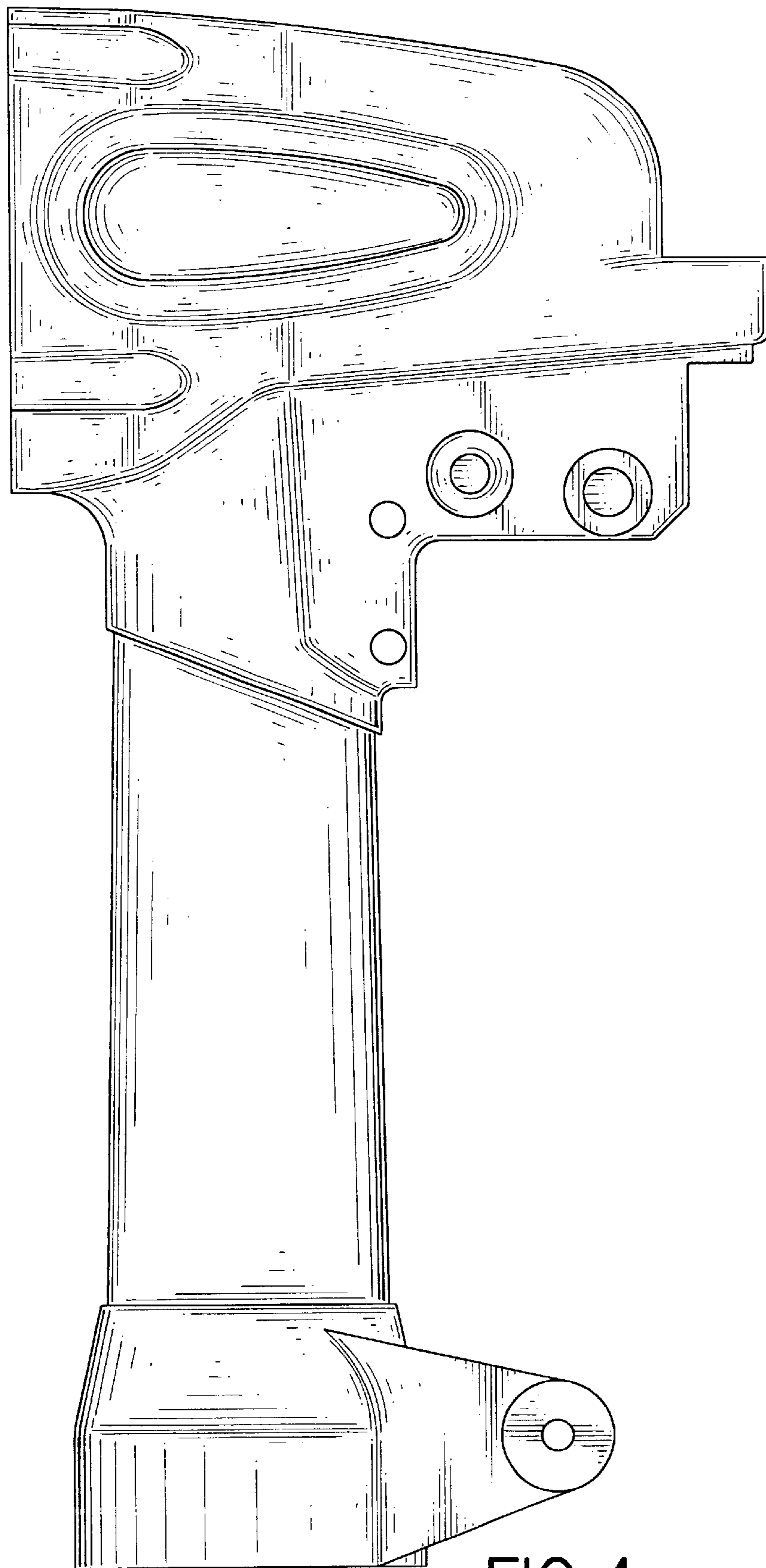


FIG. 4

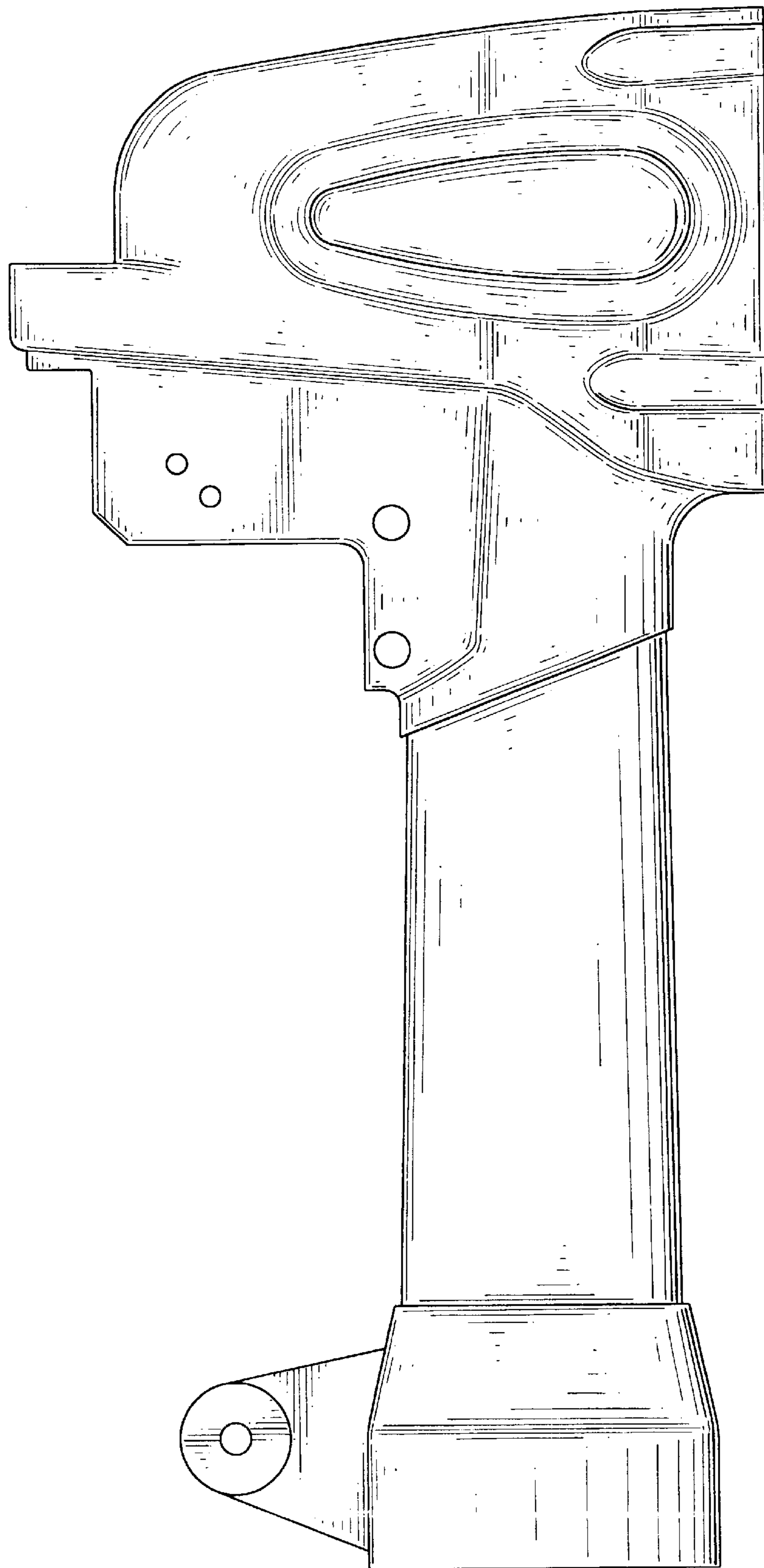


FIG. 5

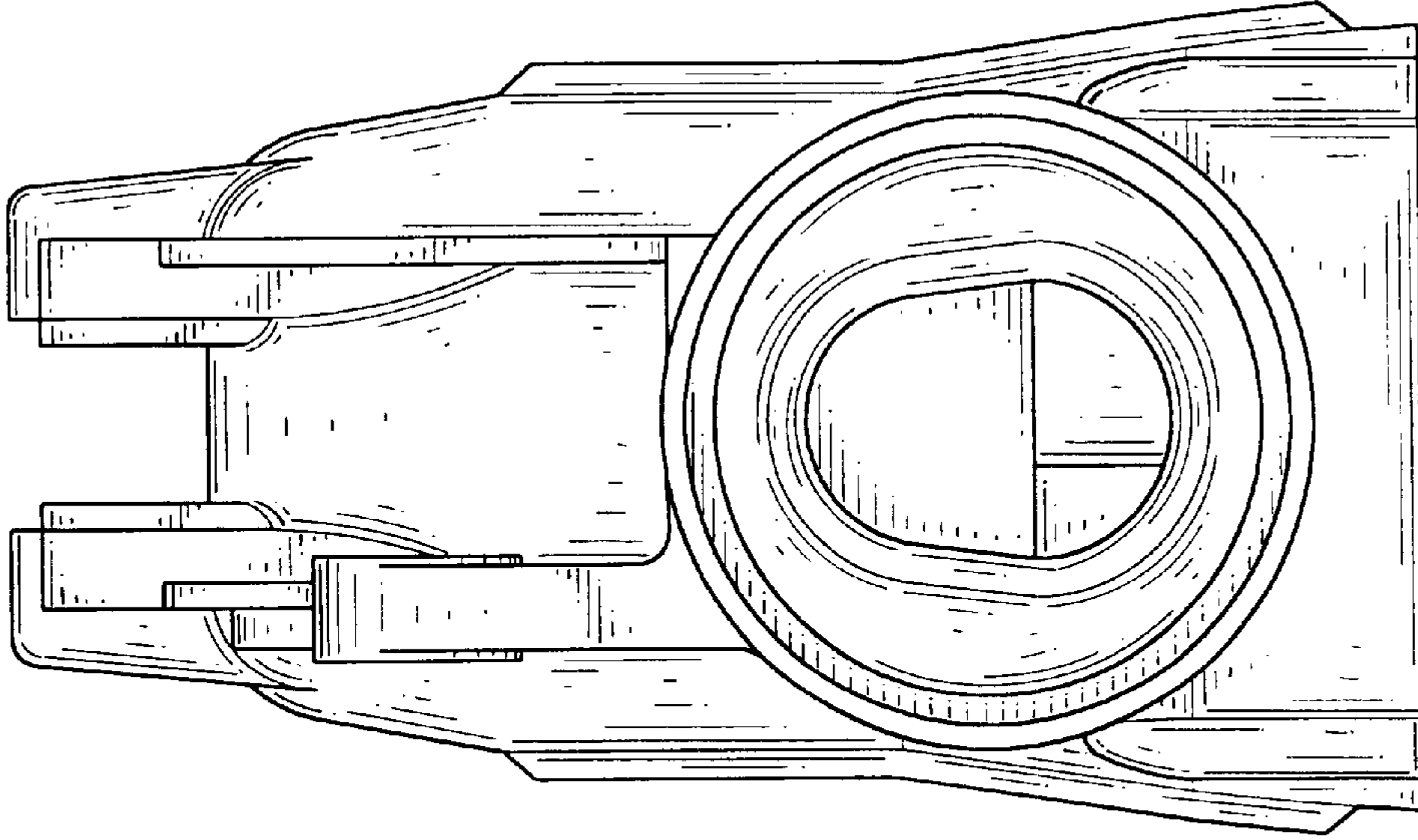


FIG. 6

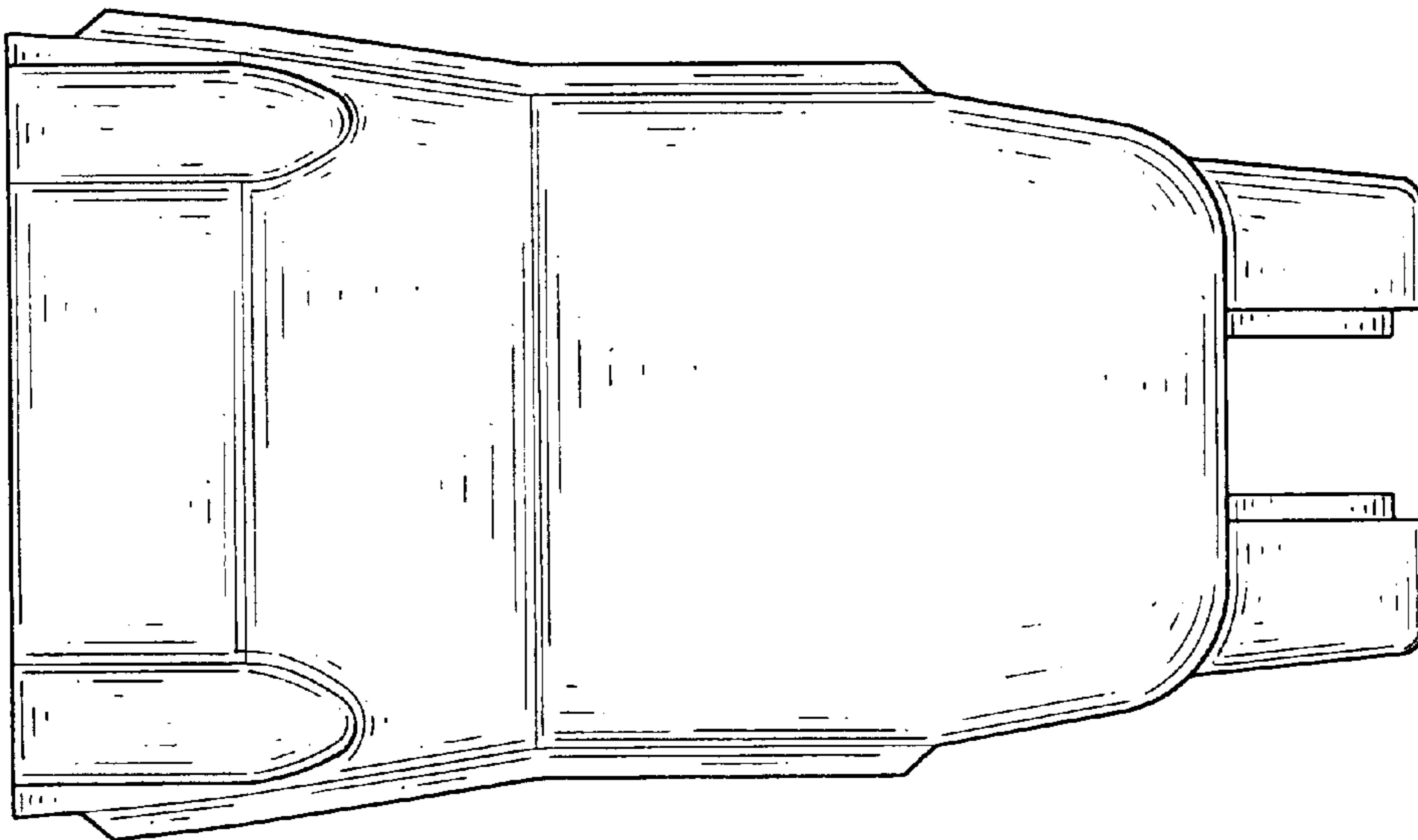


FIG. 7