



US00D484382S

(12) **United States Design Patent**  
**Su**

(10) **Patent No.:** **US D484,382 S**

(45) **Date of Patent:** **\*\* Dec. 30, 2003**

(54) **CORDLESS SCREWDRIVER**

(75) Inventor: **Yu-Min Su**, Taichung (TW)

(73) Assignee: **Techway Industrial Co., Ltd.** (TW)

(\*\*) Term: **14 Years**

(21) Appl. No.: **29/179,071**

(22) Filed: **Apr. 2, 2003**

(51) **LOC (7) Cl.** ..... **08-04**

(52) **U.S. Cl.** ..... **D8/68; D8/61**

(58) **Field of Search** ..... D8/14.1, 61, 62,  
D8/63, 64, 65, 66, 67, 68, 69, 70; 81/57.11,  
429, 464, 465, 466, 469, 489; 173/13, 169,  
178, 213, 217; 227/8, 114, 120, 130, 136,  
142; 310/50; 408/20, 124, 125, 234, 241 R;  
451/358

(56) **References Cited**

**U.S. PATENT DOCUMENTS**

4,522,270	A	*	6/1985	Kishi	.....	408/124
4,912,349	A	*	3/1990	Chang	.....	310/50
4,976,173	A	*	12/1990	Yang	.....	408/20
D418,729	S	*	1/2000	Snider	.....	D8/61
6,189,420	B1	*	2/2001	Shiao	.....	81/489
D441,267	S	*	5/2001	Heun	.....	D8/61
D443,491	S	*	6/2001	Robson	.....	D8/61

6,364,033	B1	*	4/2002	Hung et al.	.....	310/50
6,467,556	B2	*	10/2002	Alsrue	.....	173/217
D472,439	S	*	4/2003	Chunn et al.	.....	D8/68
D476,542	S	*	7/2003	Chunn et al.	.....	D8/68

\* cited by examiner

*Primary Examiner*—Doris V. Coles

*Assistant Examiner*—T. Chase Nelson

(74) *Attorney, Agent, or Firm*—Dellett & Walters

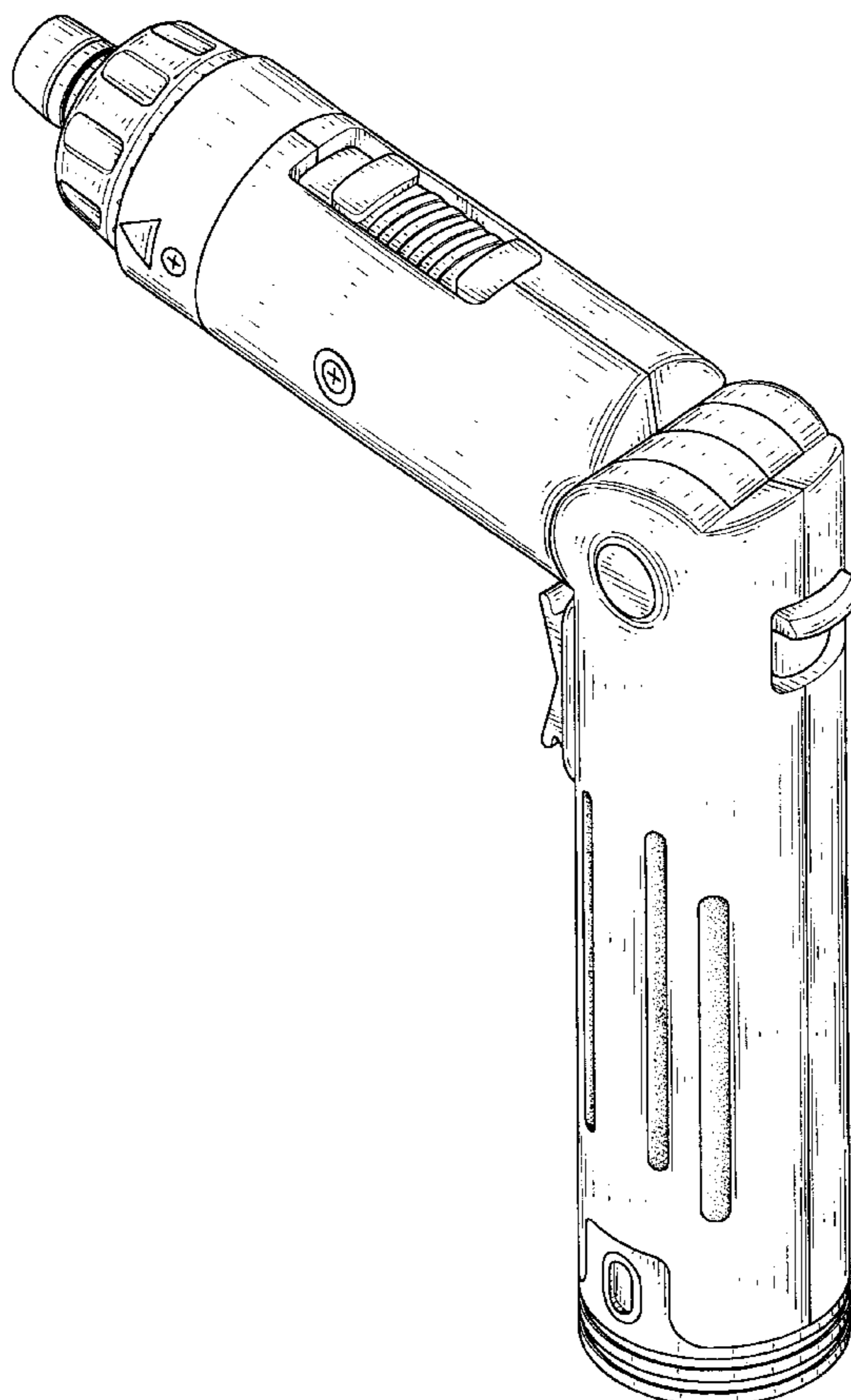
(57) **CLAIM**

The ornamental design for a cordless screwdriver, as shown and described.

**DESCRIPTION**

FIG. 1 is a perspective view of a cordless screwdriver, showing my new design;  
FIG. 2 is a front elevational view thereof;  
FIG. 3 is a rear elevational view thereof;  
FIG. 4 is a left side elevational view thereof;  
FIG. 5 is a right side elevational view thereof;  
FIG. 6 is a top plan view thereof; and  
FIG. 7 is a bottom plan view thereof; and,  
FIG. 8 is a perspective referential view showing the cordless screwdriver in an alternate position, wherein the broken lines of cruciform tip are shown for illustrative purposes only and form no part of the claimed design.

**1 Claim, 6 Drawing Sheets**



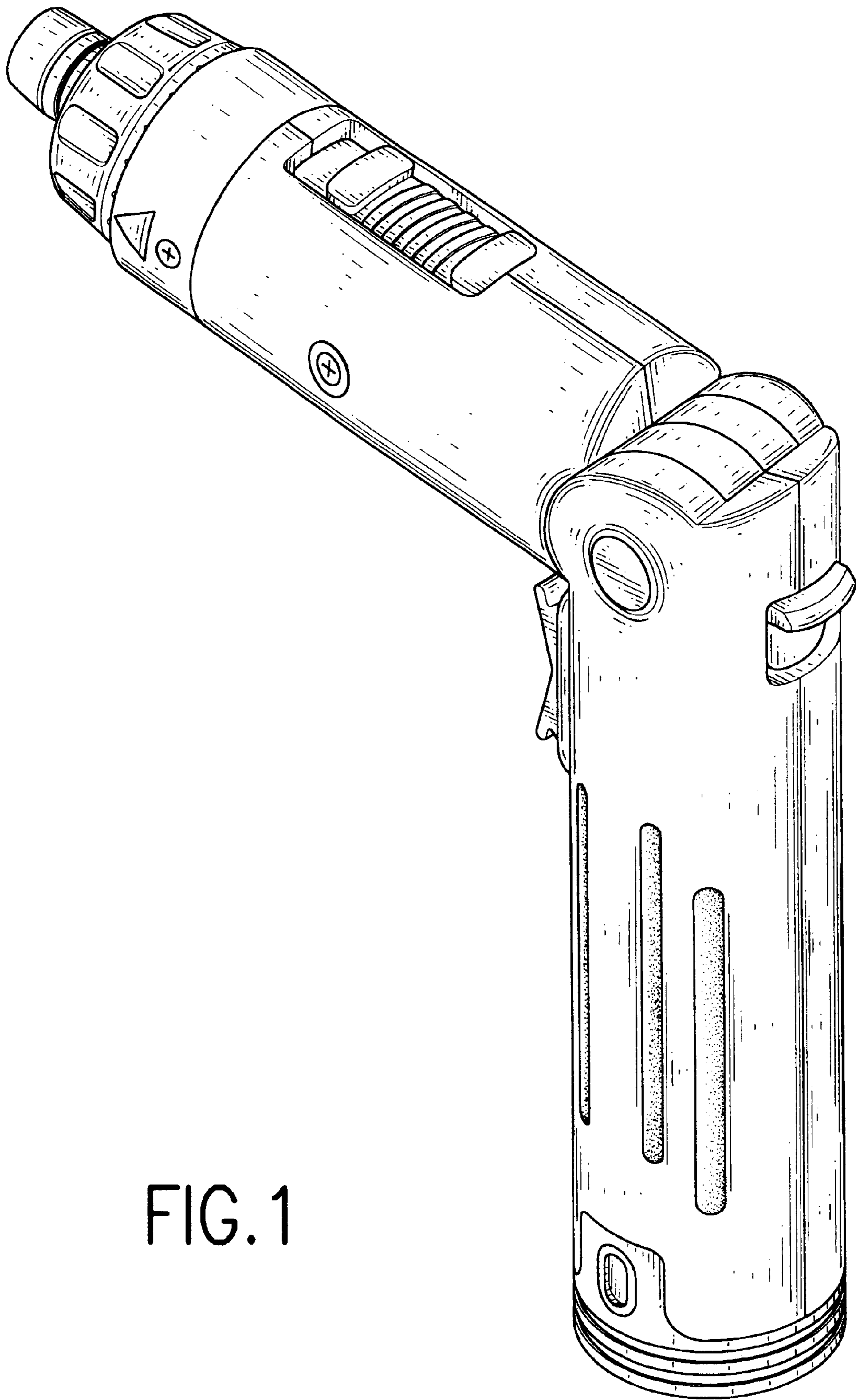


FIG. 1

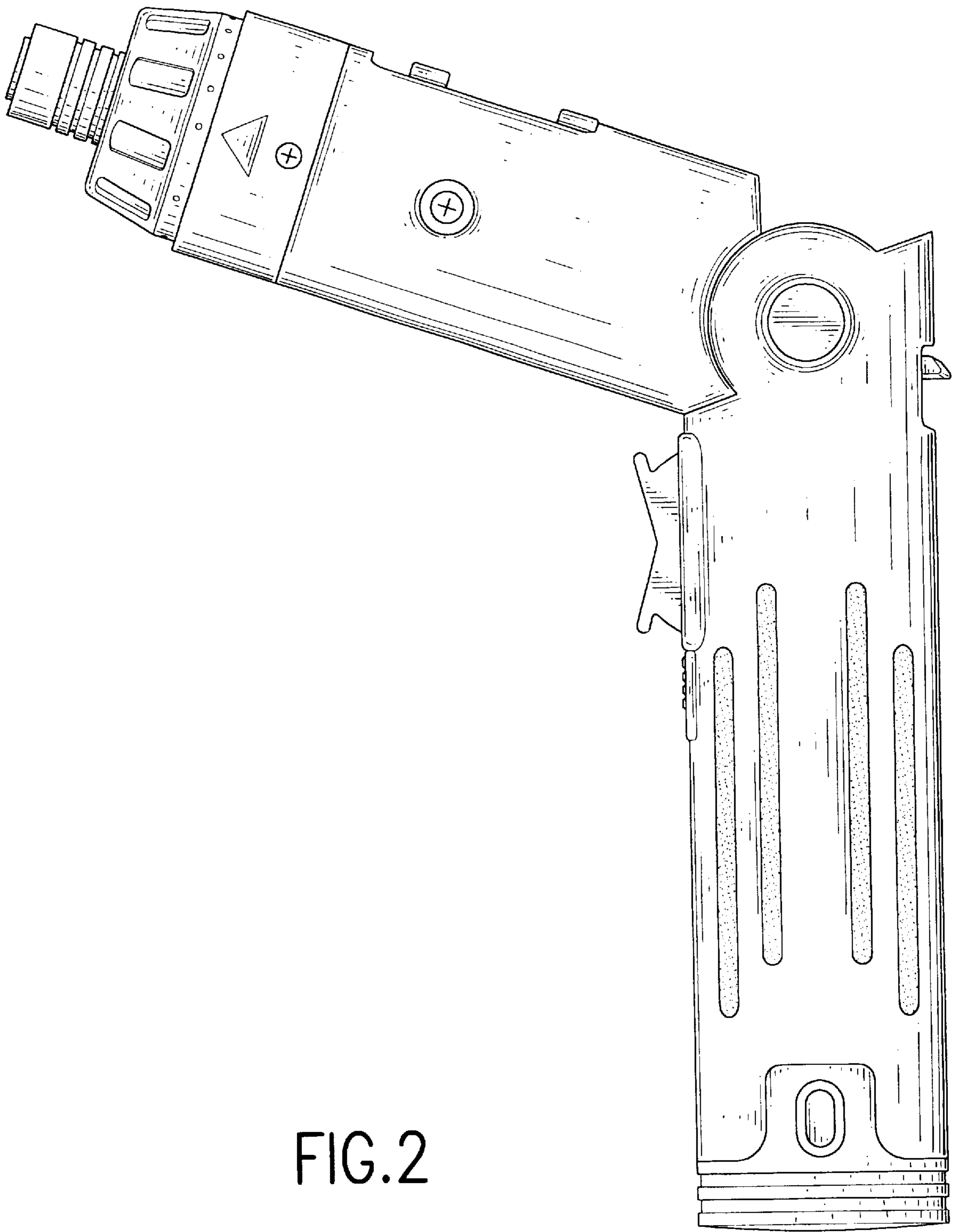


FIG.2

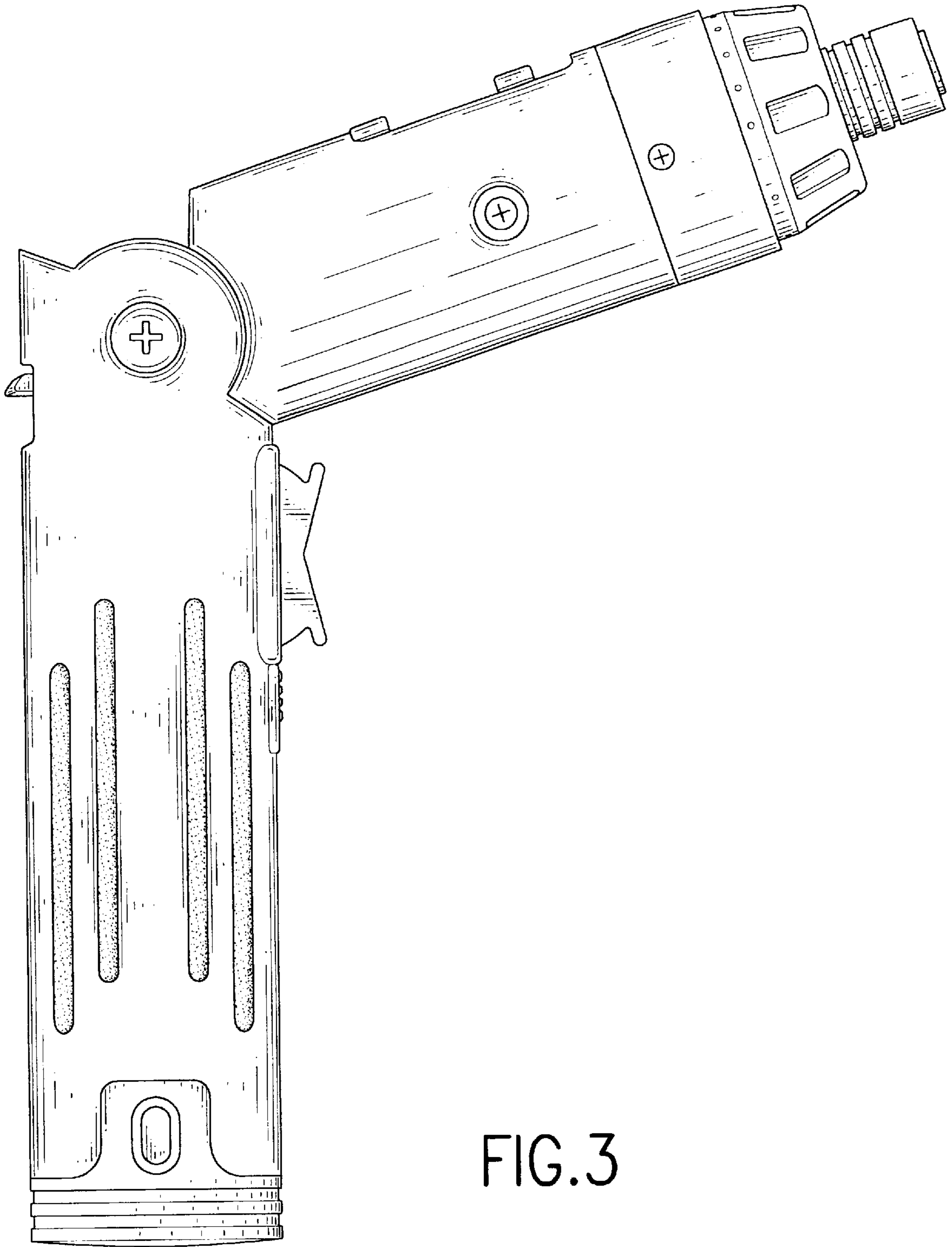


FIG.3

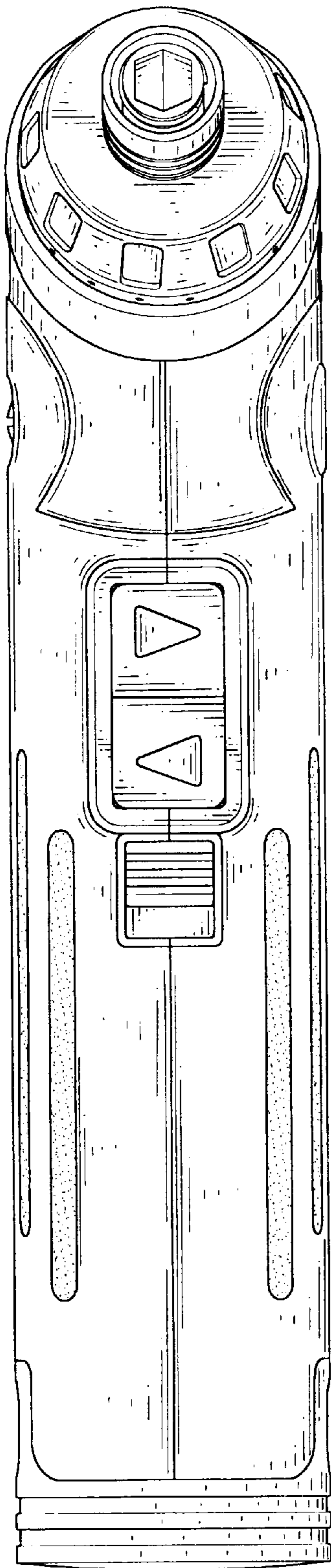


FIG. 4

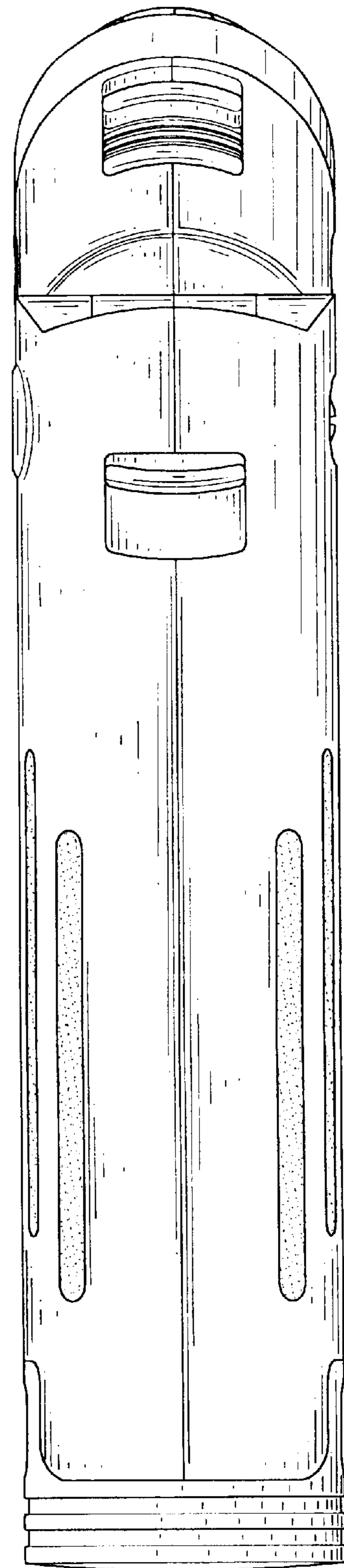


FIG. 5

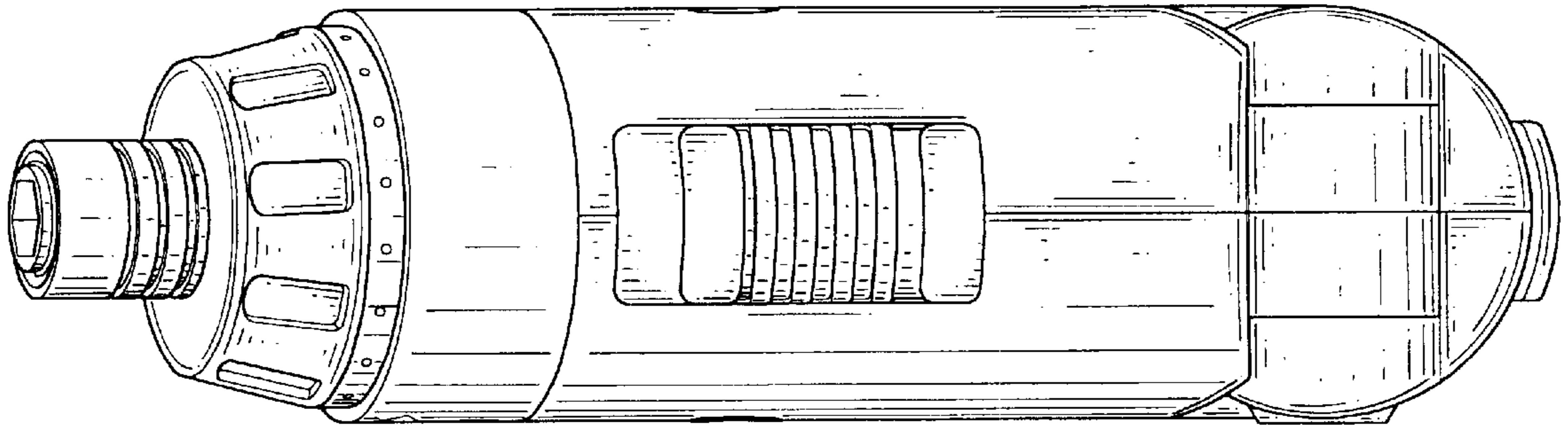


FIG. 6

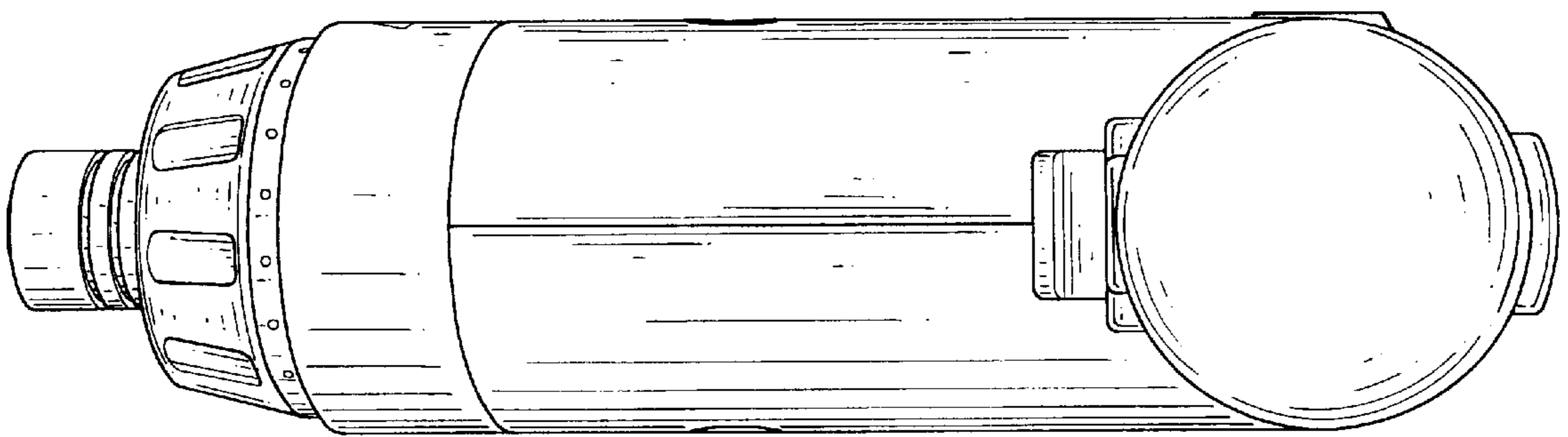


FIG. 7

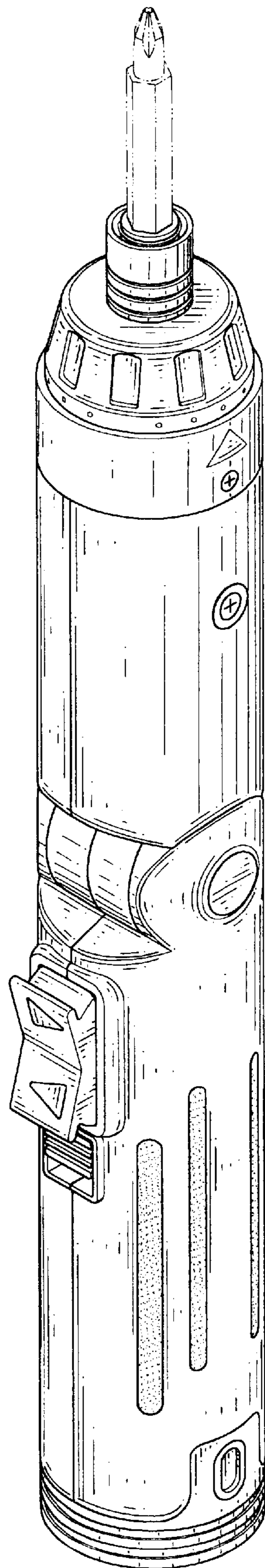


FIG. 8