



US00D484381S

(12) **United States Design Patent**  
**Yamada et al.**

(10) **Patent No.:** **US D484,381 S**

(45) **Date of Patent:** **\*\* Dec. 30, 2003**

(54) **PORTABLE ELECTRIC JIG SAW**

(75) Inventors: **Kenichi Yamada**, Hitachinaka (JP);  
**Naoya Etou**, Hitachinaka (JP)

(73) Assignee: **Hitachi Koki Co., Ltd.**, Tokyo (JP)

(\*\*) Term: **14 Years**

(21) Appl. No.: **29/179,293**

(22) Filed: **Apr. 9, 2003**

(30) **Foreign Application Priority Data**

Oct. 11, 2002 (JP) ..... 2002-027992

(51) **LOC (7) Cl.** ..... **08-03**

(52) **U.S. Cl.** ..... **D8/64**

(58) **Field of Search** ..... D8/61, 64, 67,  
D8/69, 70; D24/146; 30/373, 374, 375,  
376, 377, 388, 389, 390, 391, 392, 393,  
394; 83/699.21; 173/170, 216, 217

(56) **References Cited**

**U.S. PATENT DOCUMENTS**

5,535,520 A \* 7/1996 Armstrong ..... 30/392  
5,634,277 A \* 6/1997 Wada et al. .... 30/392  
D404,274 S \* 1/1999 Ogasawara et al. .... D8/64

D414,094 S \* 9/1999 Heun ..... D8/64  
D446,703 S \* 8/2001 Netzler ..... D8/64  
D451,356 S \* 12/2001 Pretzell ..... D8/64  
D474,384 S \* 5/2003 Andriolo ..... D8/64  
D475,264 S \* 6/2003 Kondo et al. .... D8/64  
D476,871 S \* 7/2003 Santarsiero et al. .... D8/64

\* cited by examiner

*Primary Examiner*—Doris V. Coles

*Assistant Examiner*—Elizabeth A. Albert

(74) *Attorney, Agent, or Firm*—Sughrue Mion, PLLC

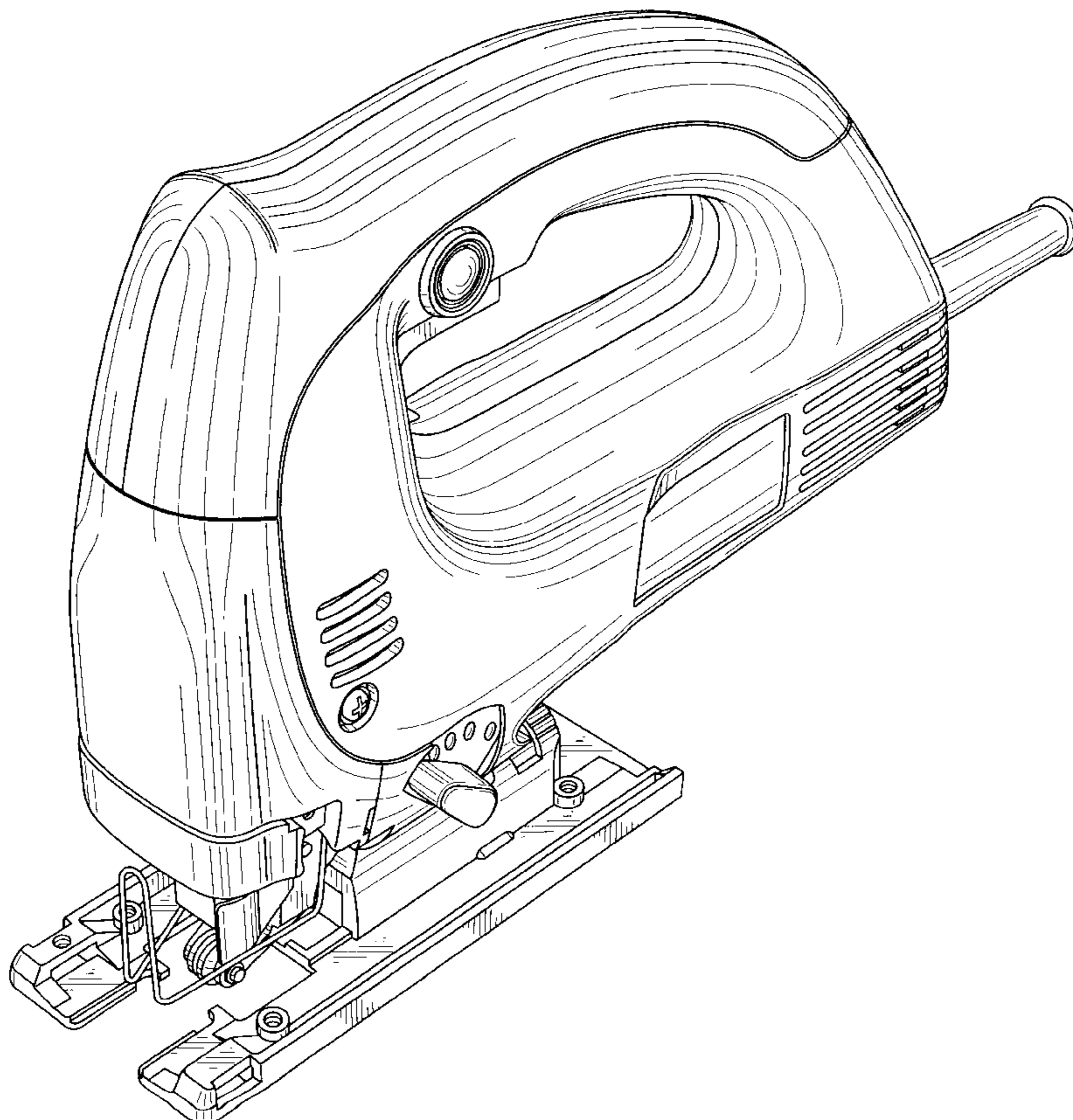
(57) **CLAIM**

The ornamental design for a portable electric jig saw, as shown.

**DESCRIPTION**

FIG. 1 is a perspective view of top, front, and right side of a portable electric jig saw showing our new design; FIG. 2 is a right side elevational view thereof; FIG. 3 is a left side elevational view thereof; FIG. 4 is a top plan view thereof; FIG. 5 is a bottom plan view thereof; FIG. 6 is a front elevational view thereof; and, FIG. 7 is a rear elevational view thereof.

**1 Claim, 5 Drawing Sheets**



*FIG. 1*

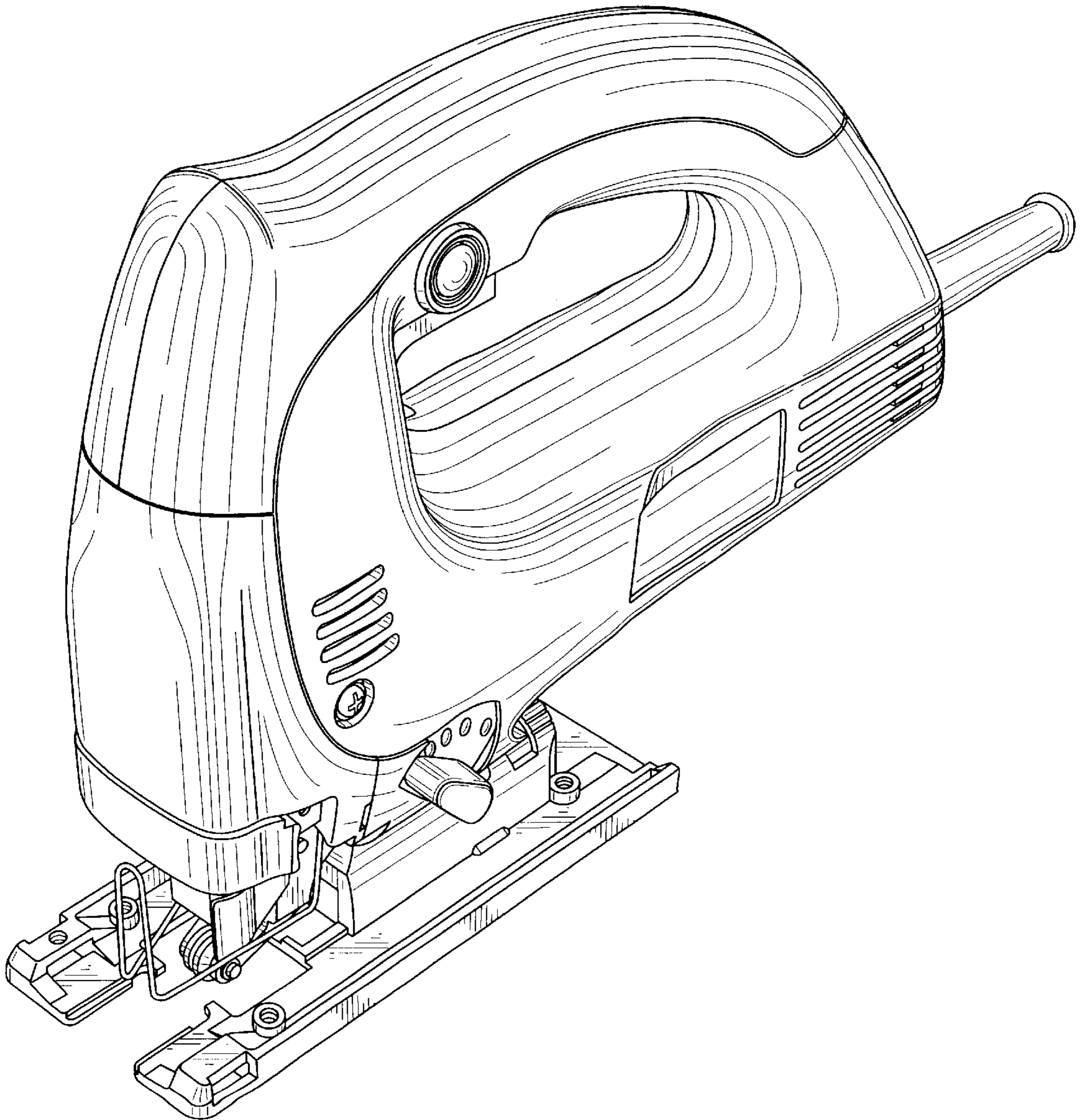


FIG. 2

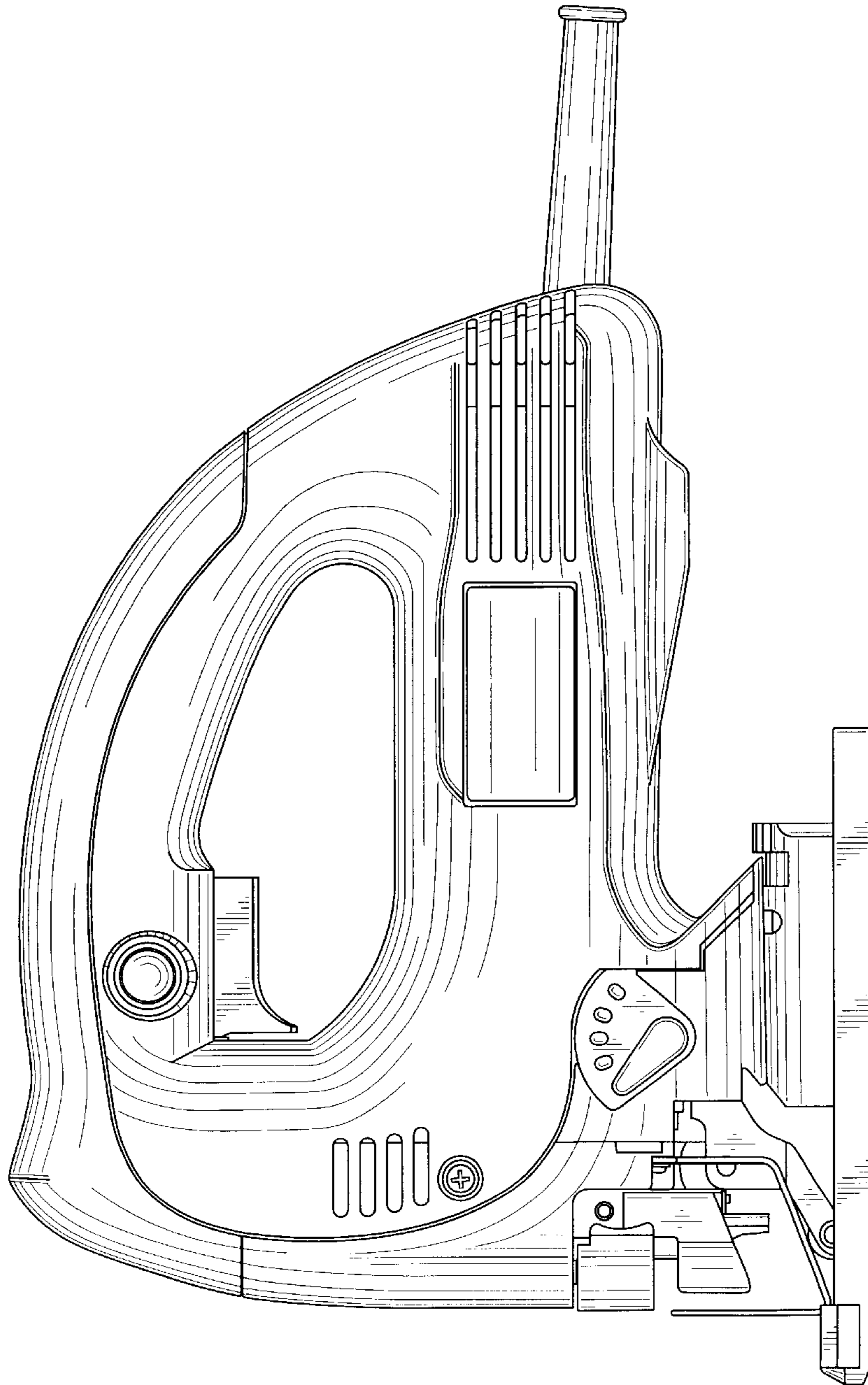


FIG. 3

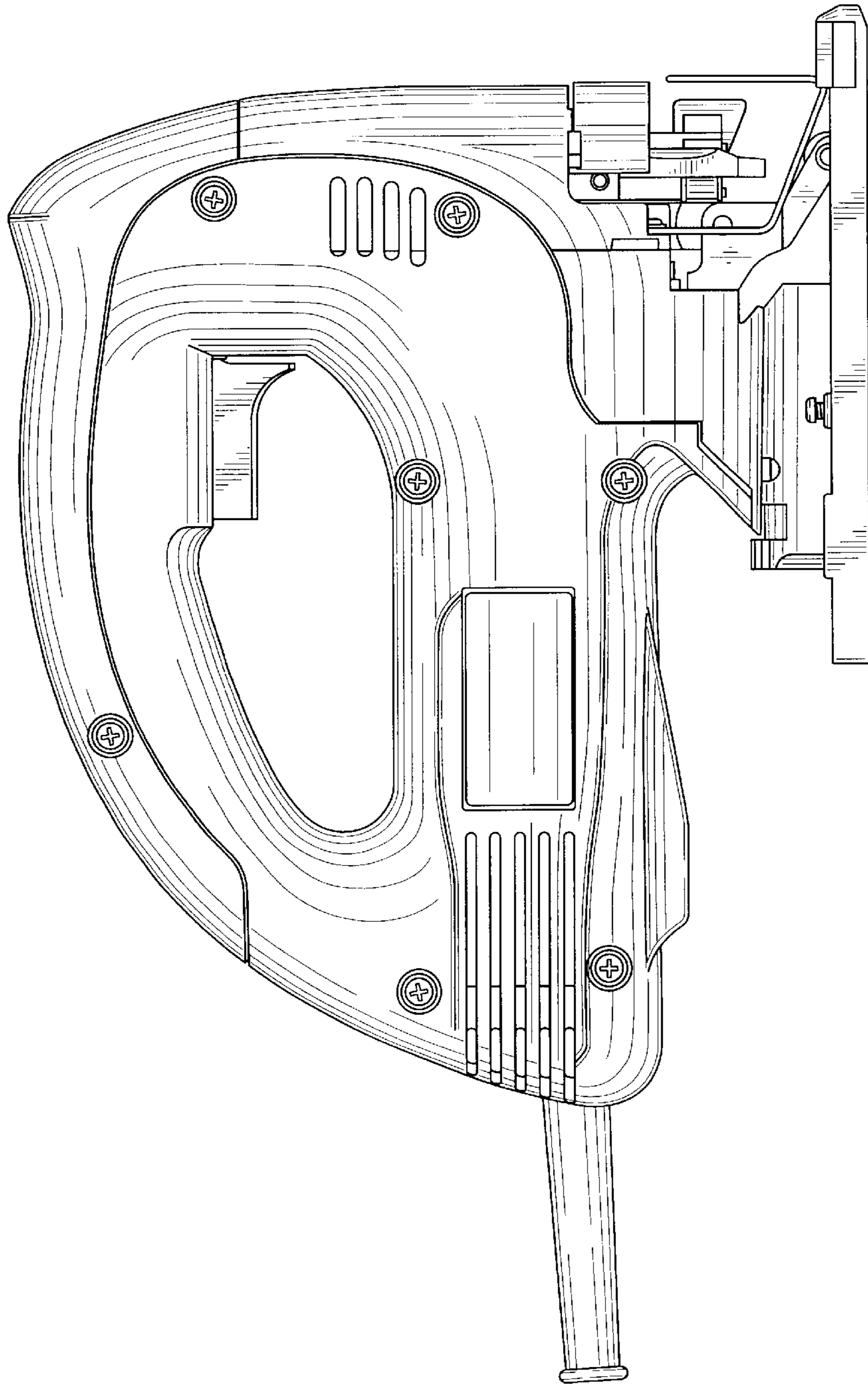


FIG. 4

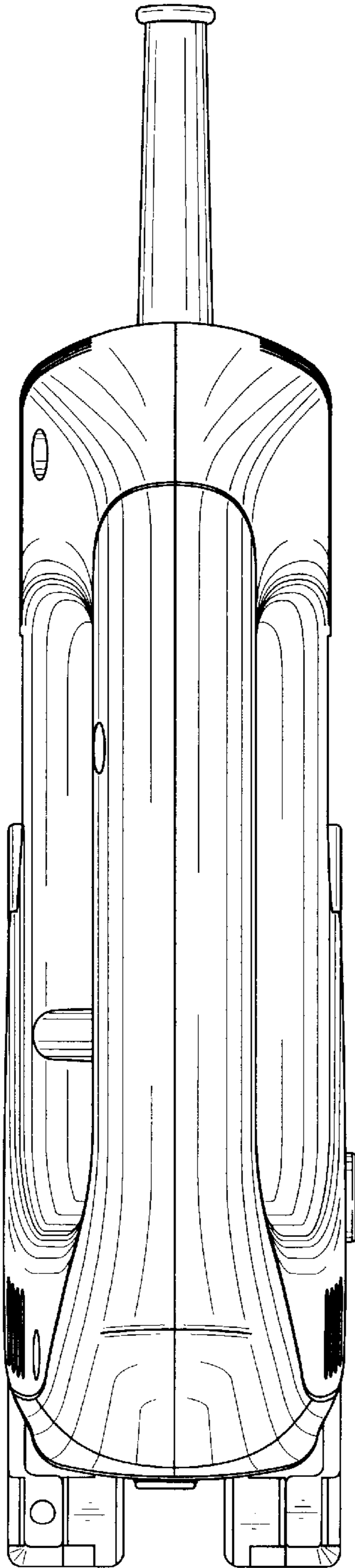
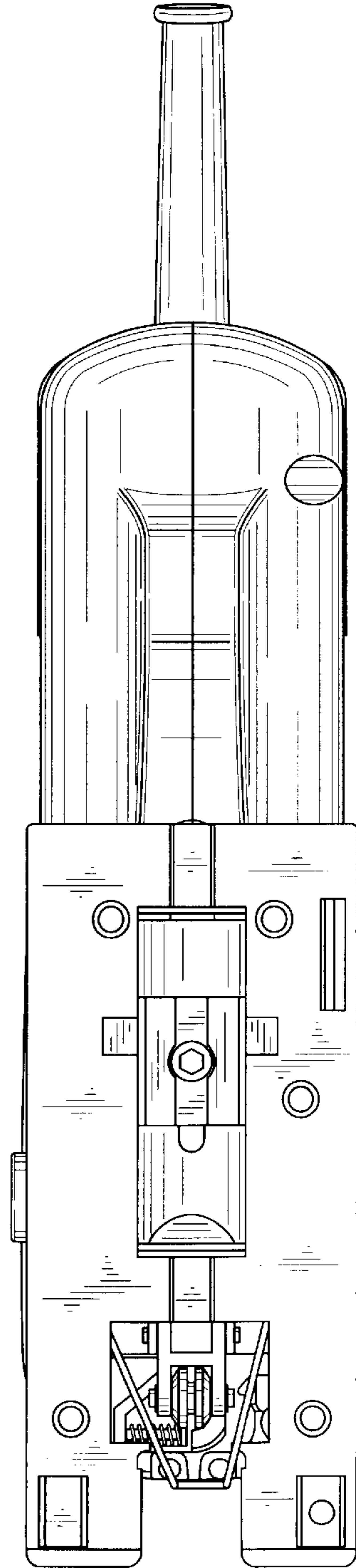
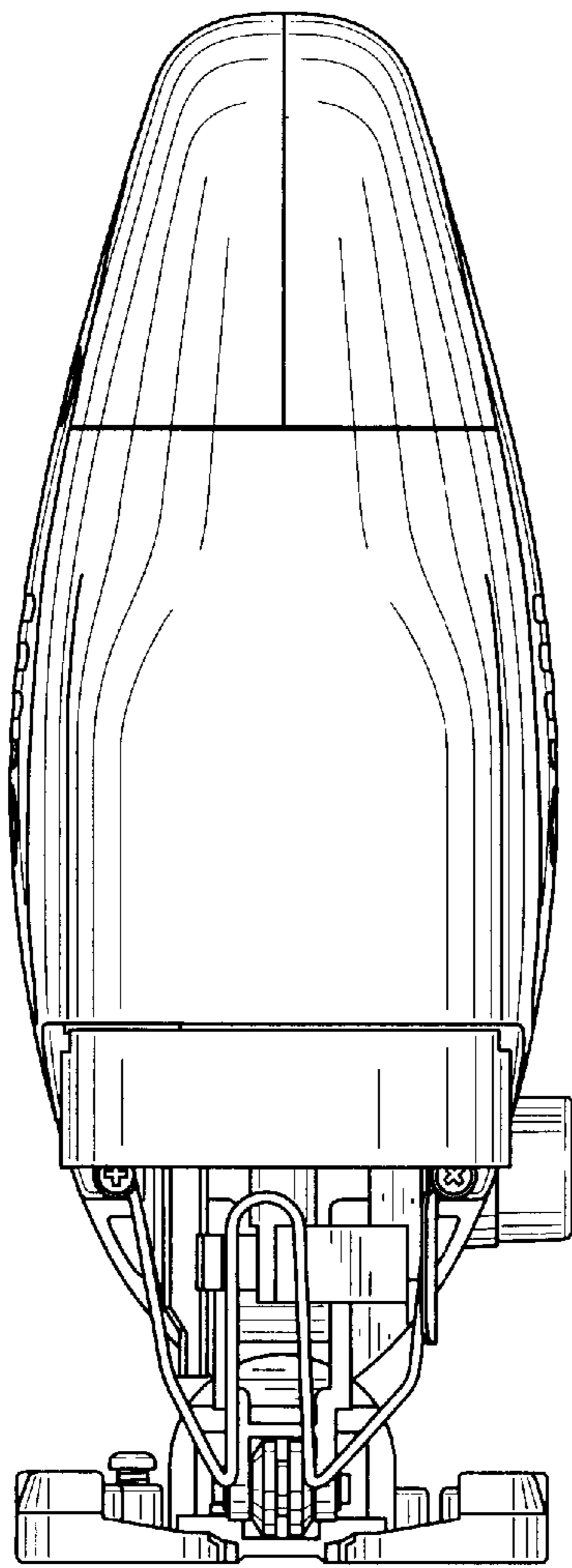


FIG. 5



*FIG. 6*



*FIG. 7*

