



US00D484379S

(12) **United States Design Patent**
Chen

(10) **Patent No.:** **US D484,379 S**

(45) **Date of Patent:** **** Dec. 30, 2003**

(54) **PNEUMATIC TOOL**

D468,607 S * 1/2003 Price et al. D8/61
D472,441 S * 4/2003 Morgan D8/61

(76) Inventor: **Lung-Hui Chen**, No. 296-1, Jungshan Rd., Jubei City, Hsinchu (TW)

* cited by examiner

(**) Term: **14 Years**

Primary Examiner—Doris V. Coles

Assistant Examiner—Elizabeth A. Albert

(21) Appl. No.: **29/175,349**

(74) *Attorney, Agent, or Firm*—Birch, Stewart, Kolasch & Birch, LLP

(22) Filed: **Feb. 4, 2003**

(57) **CLAIM**

(51) **LOC (7) Cl.** **08-04**

The ornamental design for “pneumatic tool”, as shown and described.

(52) **U.S. Cl.** **D8/61**

(58) **Field of Search** D8/61, 62, 68, D8/70; 73/862.21; 81/57.11, 57.13, 57.14, 57.26, 57.29, 57.39, 57.42, 63.1, 63.2, 429, 464, 467, 469, 470, 473; 173/168, 169, 170, 176, 177, 178, 181, 216, 217; 310/50

DESCRIPTION

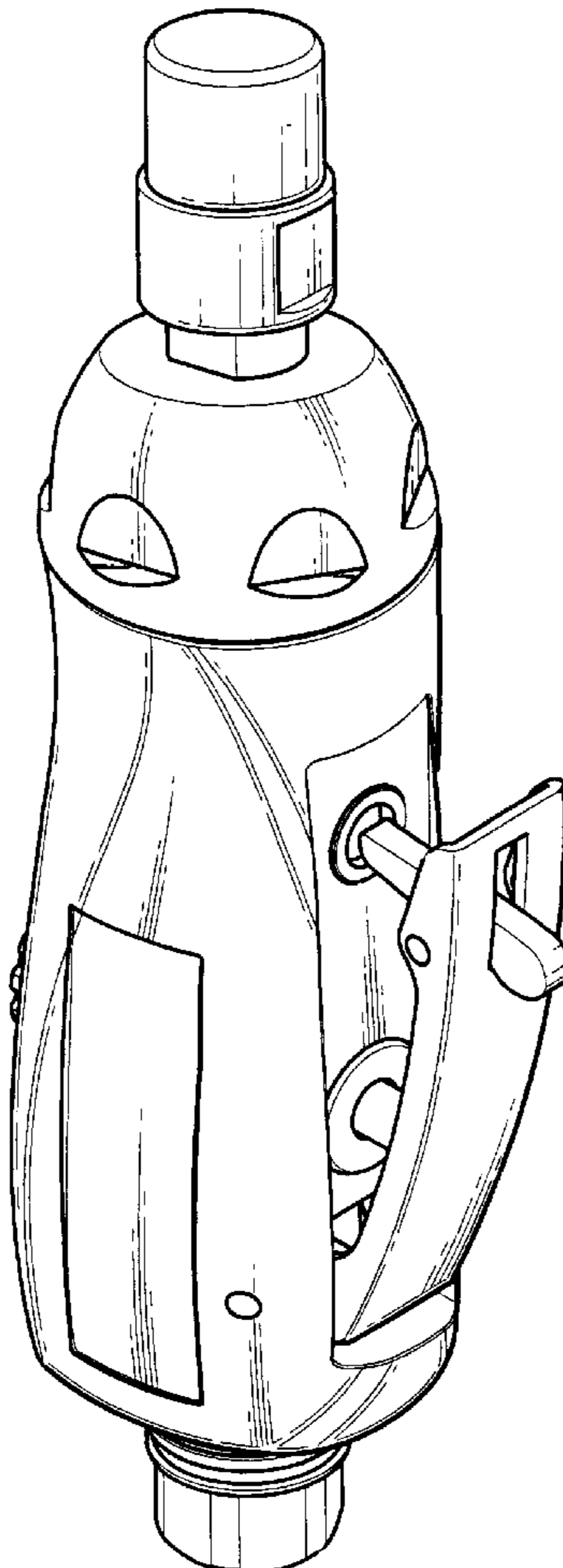
(56) **References Cited**

FIG. 1 is a perspective view of “pneumatic tool” showing my new design thereof;
FIG. 2 is a right side elevational view thereof;
FIG. 3 is a top plan view thereof;
FIG. 4 is a front side elevational view thereof;
FIG. 5 is a bottom plan view thereof;
FIG. 6 is a left side elevational view thereof;
FIG. 7 is a rear side elevational view thereof; and,
FIG. 8 is another perspective view thereof.

U.S. PATENT DOCUMENTS

2,900,856 A * 8/1959 Maier 81/57.13
D347,372 S * 5/1994 Ghode et al. D8/61
D432,379 S * 10/2000 Sun D8/70
6,158,528 A * 12/2000 Izumisawa 173/168
D446,433 S * 8/2001 Bass et al. D8/62

1 Claim, 5 Drawing Sheets



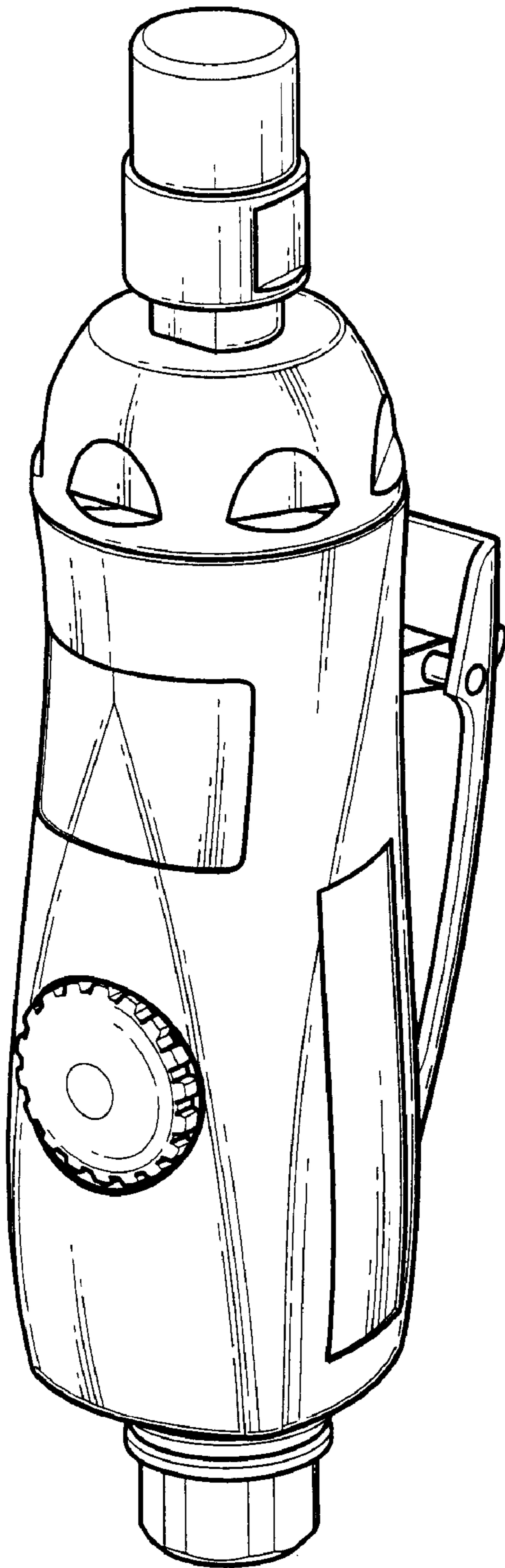


Fig. 1

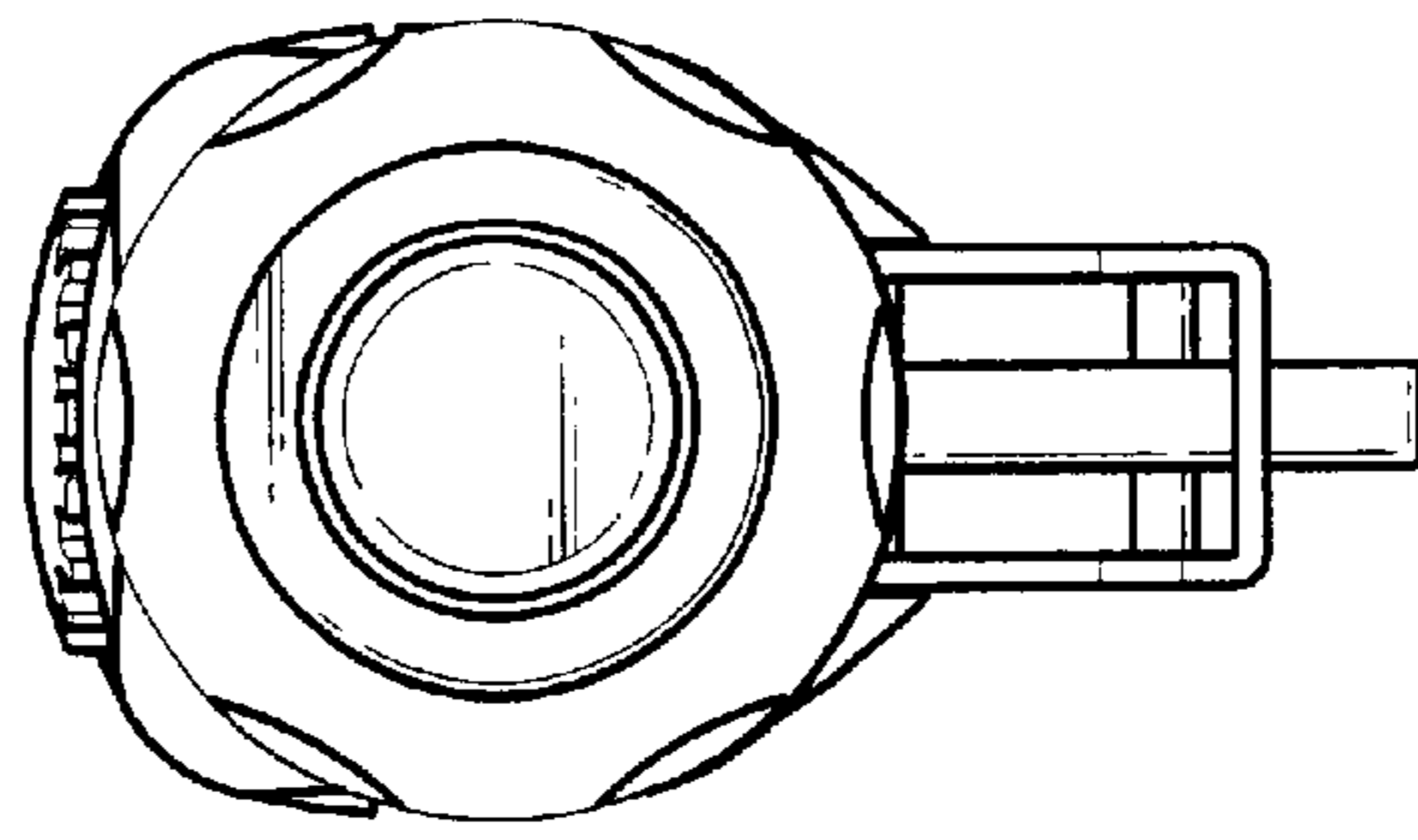


Fig. 3

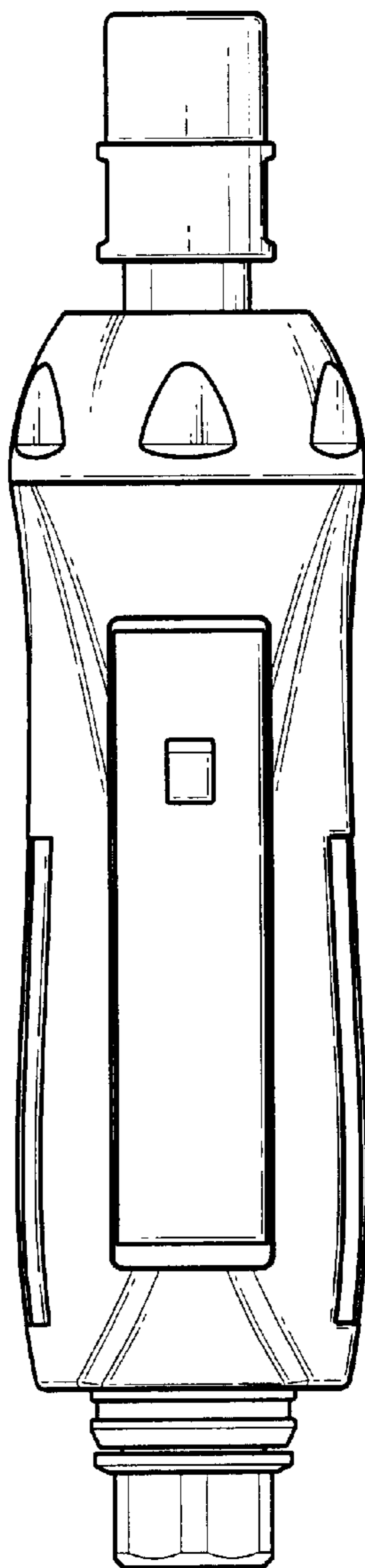


Fig. 2

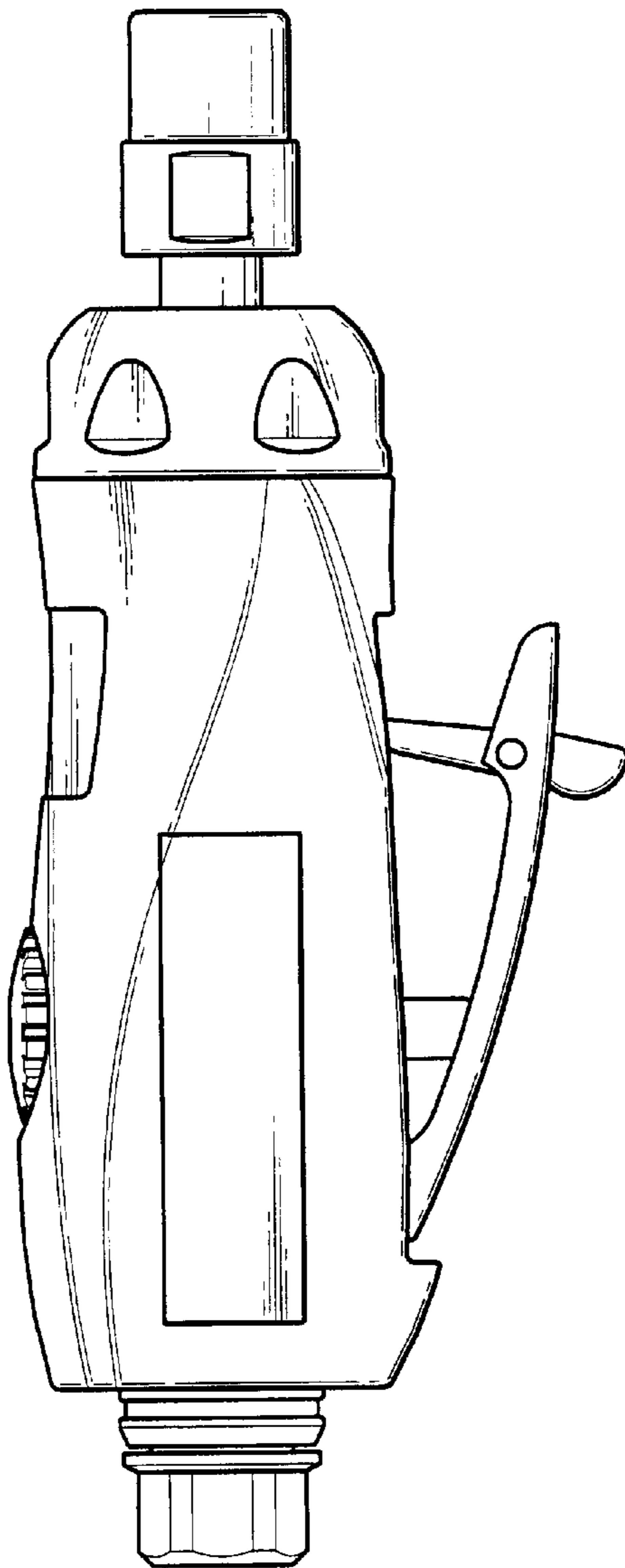


Fig. 4

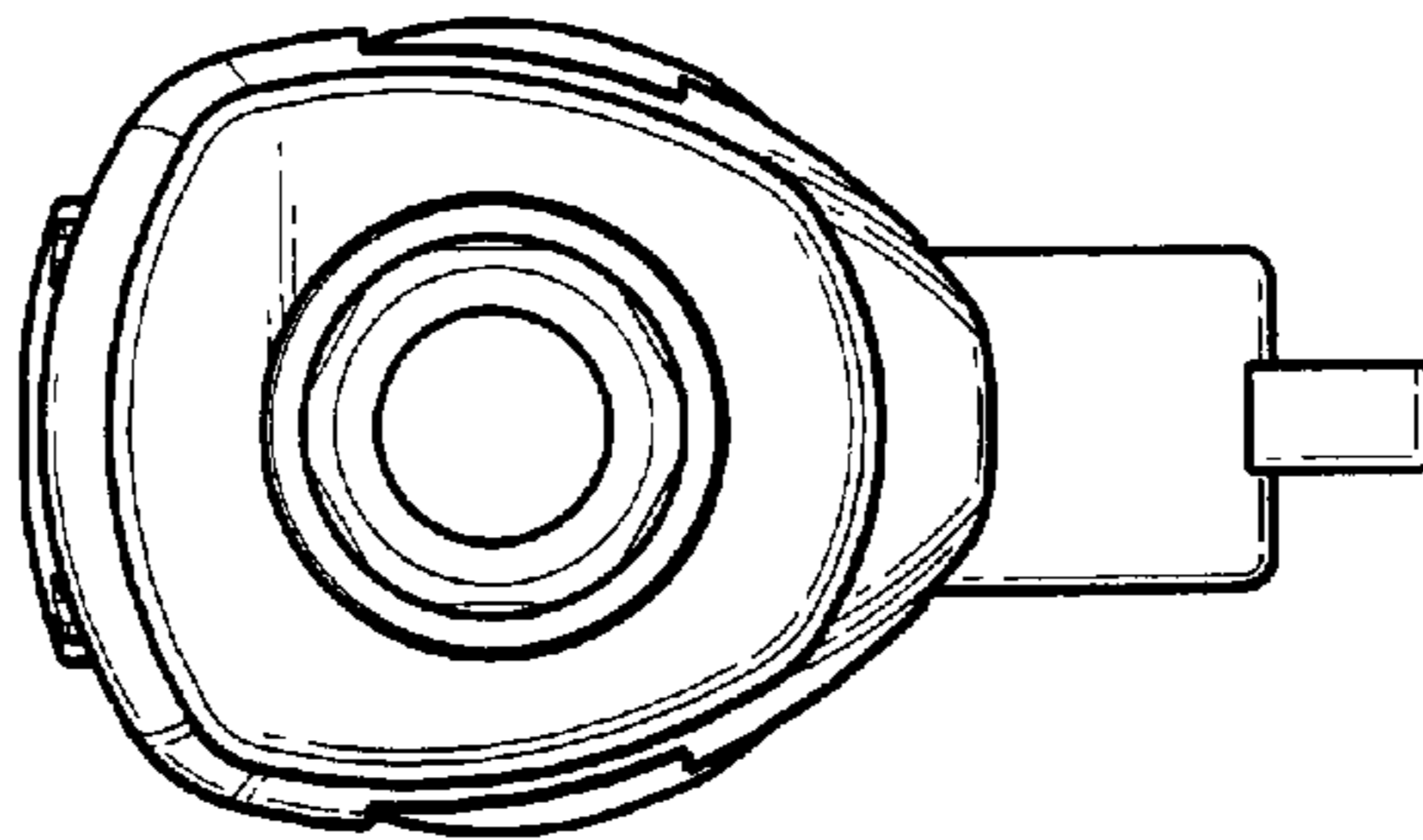


Fig. 5

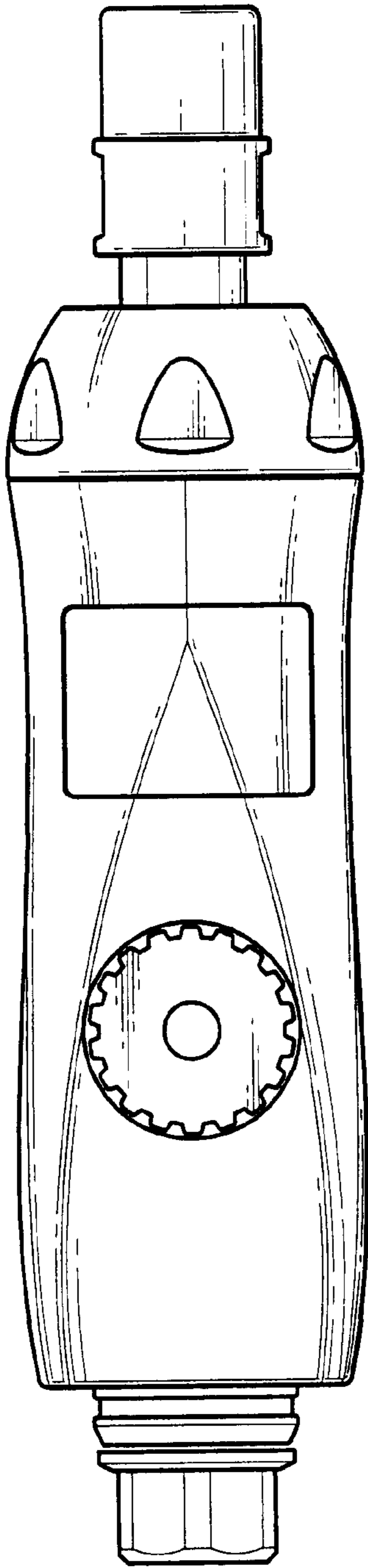


Fig. 6

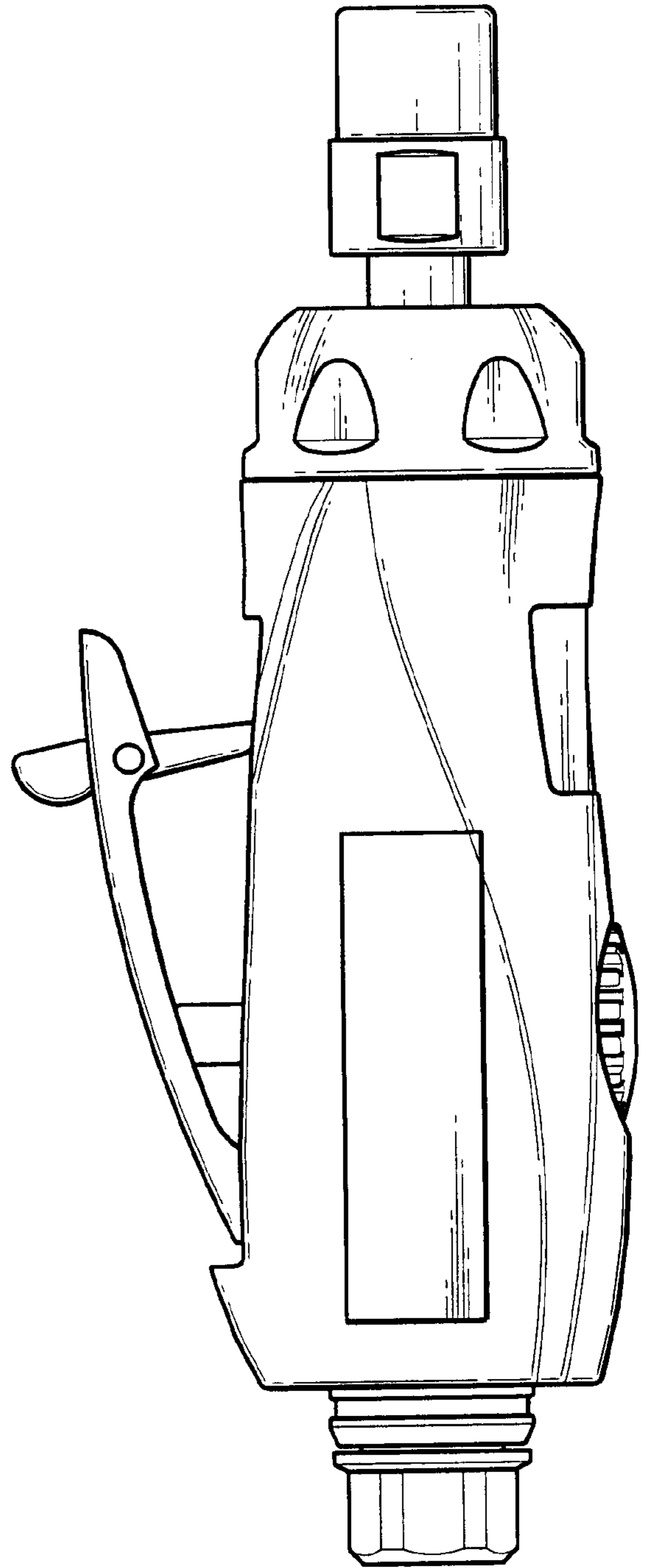


Fig. 7

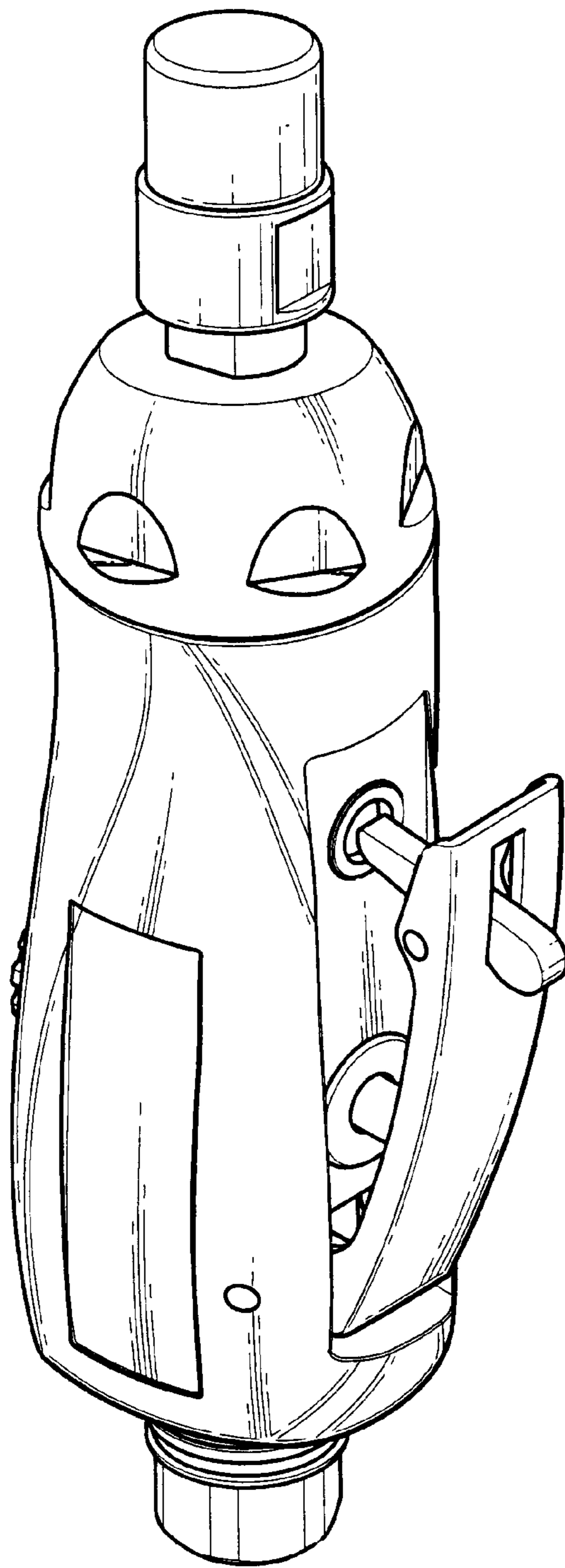


Fig. 8