



US00D484373S

(12) **United States Design Patent**
Ross

(10) **Patent No.:** **US D484,373 S**

(45) **Date of Patent:** **** Dec. 30, 2003**

(54) **RAKE**

D465,705 S * 11/2002 Hinden D8/13

(76) Inventor: **Jenna Lorraine Ross, 2769**
Arrowwood Ct., Sterling Heights, MI
(US) 48314

* cited by examiner

(**) Term: **14 Years**

Primary Examiner—Holly Baynham
(74) *Attorney, Agent, or Firm*—Carrier, Blackman &
Associates, P.C.; Joseph P. Carrier; William D. Blackman

(21) Appl. No.: **29/181,422**

(57) **CLAIM**

(22) Filed: **May 9, 2003**

The ornamental design for a rake, as shown.

(51) **LOC (7) Cl.** **08-01**

(52) **U.S. Cl.** **D8/13**

(58) **Field of Search** D8/13; 56/400.01,
56/400.04, 400.21

DESCRIPTION

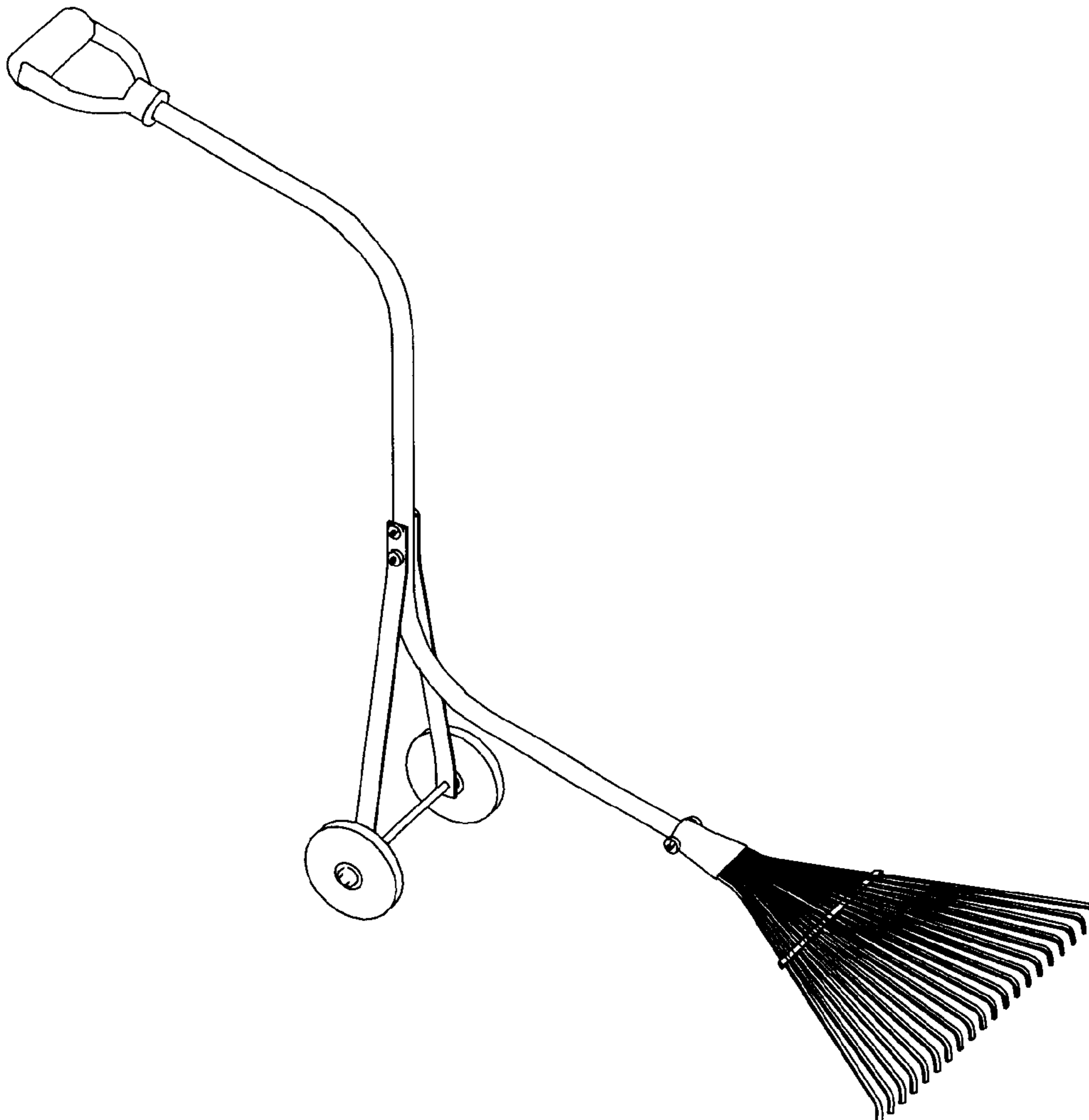
FIG. 1 is a perspective view of my new, original, and ornamental design of a rake;
FIG. 2 is a front elevational view thereof;
FIG. 3 is a rear elevational view thereof;
FIG. 4 is a left side elevational view thereof;
FIG. 5 is a right side elevational view thereof;
FIG. 6 is a top plan view thereof; and,
FIG. 7 is a bottom plan view thereof.

(56) **References Cited**

U.S. PATENT DOCUMENTS

2,207,653	A	*	7/1940	Boggs	56/400.14
4,312,095	A	*	1/1982	Mullins	56/400.14
4,516,393	A	*	5/1985	Lambert	56/400.2
D391,132	S	*	2/1998	Gandee et al.	D8/13

1 Claim, 7 Drawing Sheets



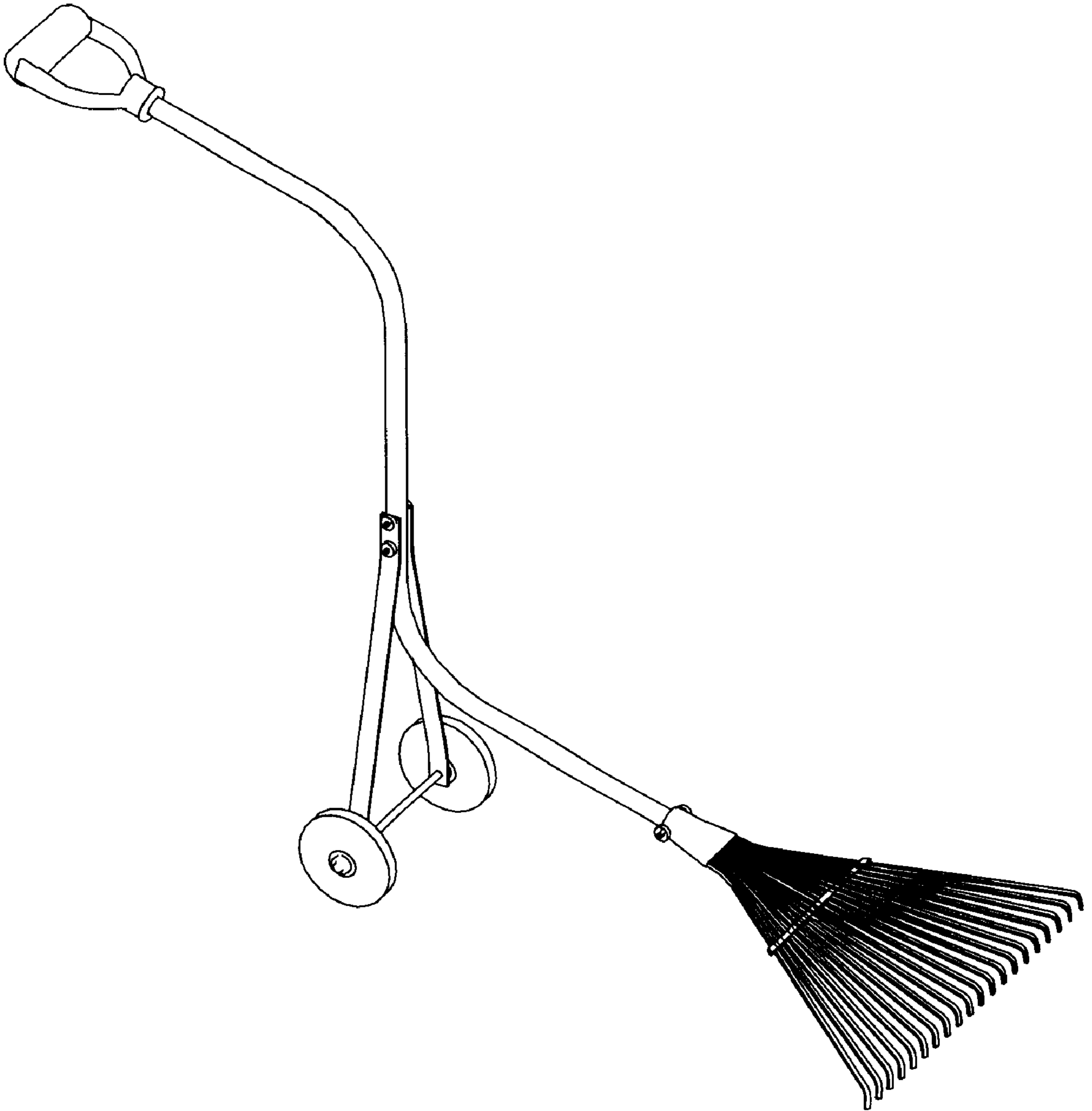


Figure 1.

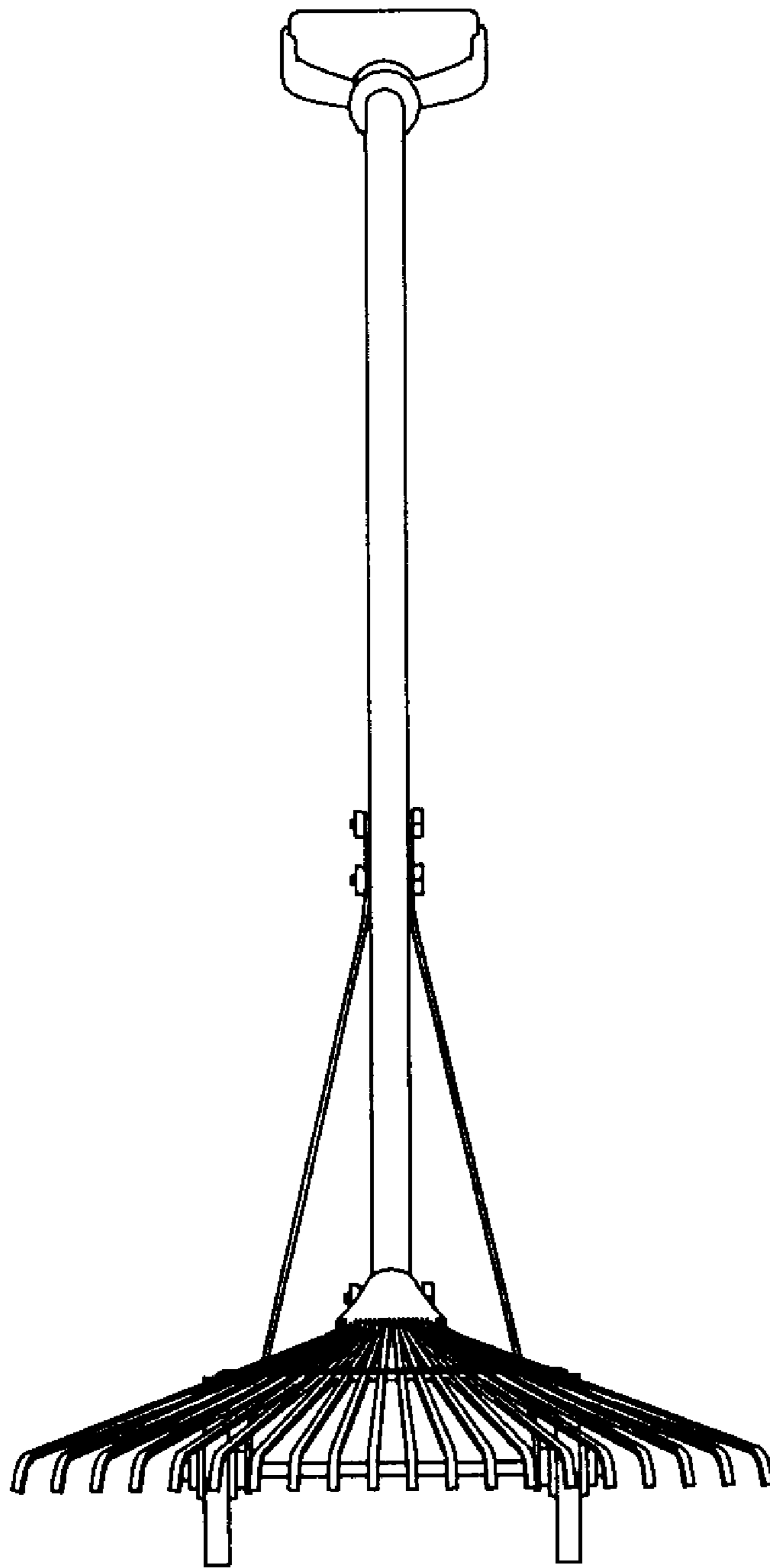


Figure 2.

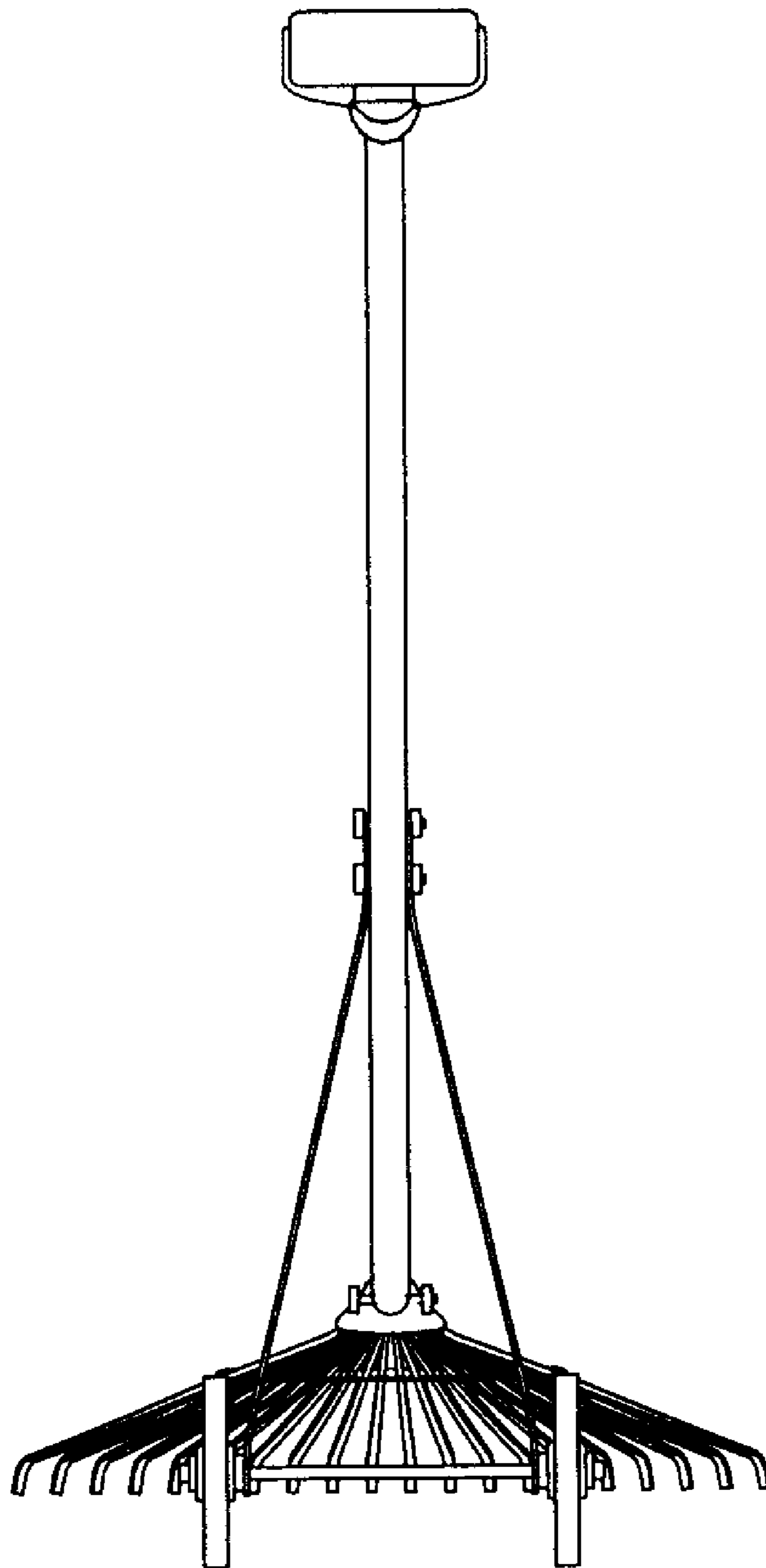


Figure 3.

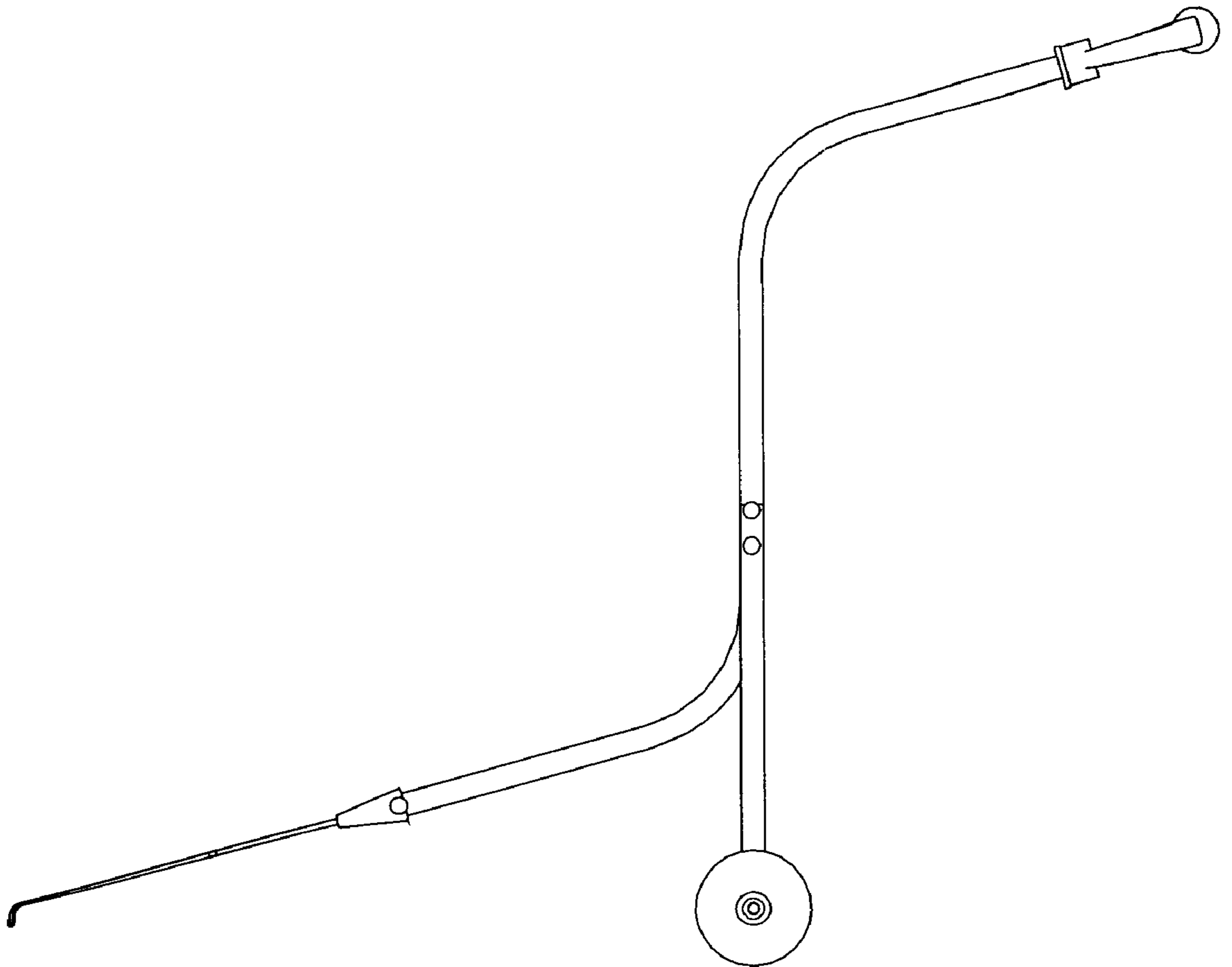


Figure 4.

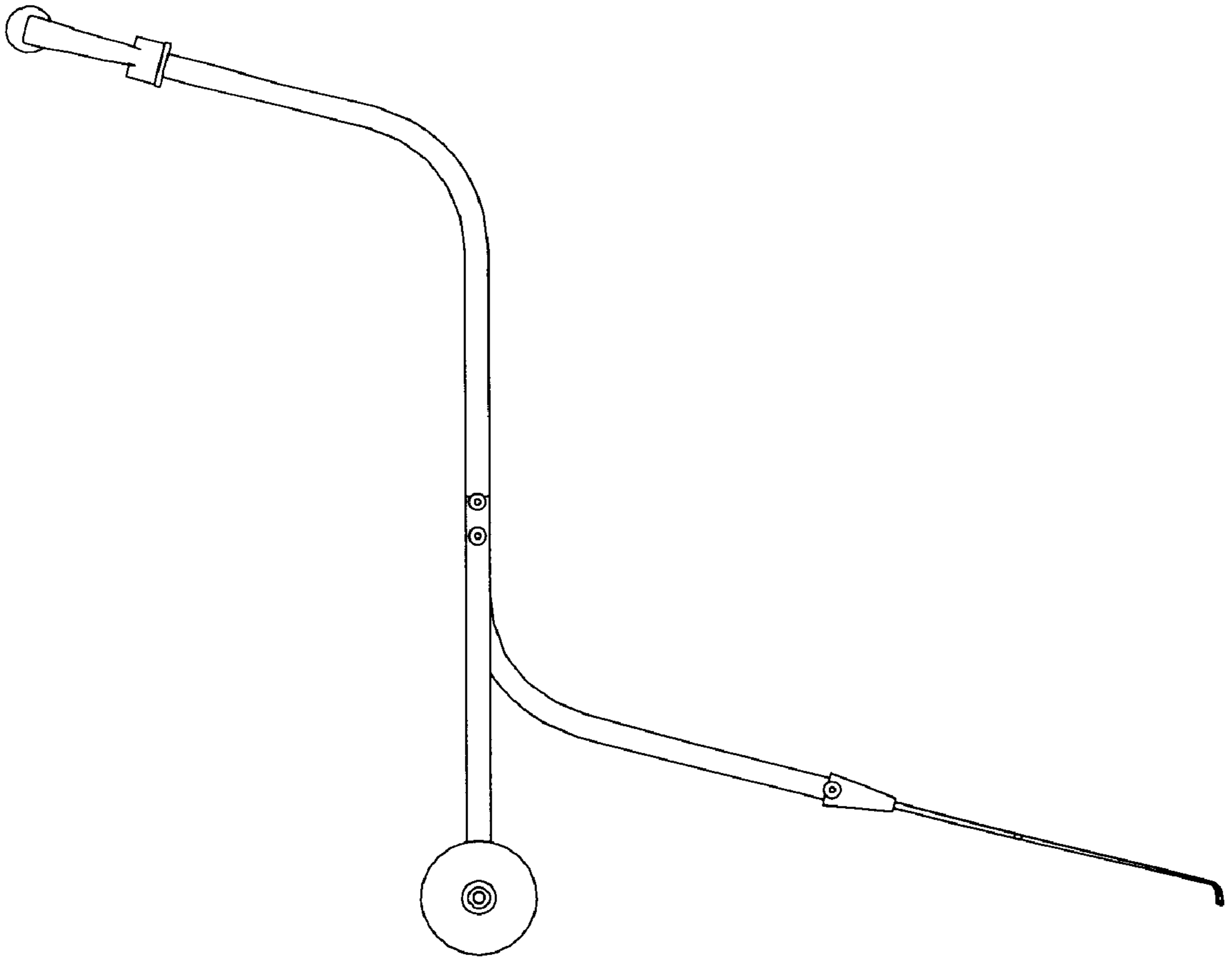


Figure 5.

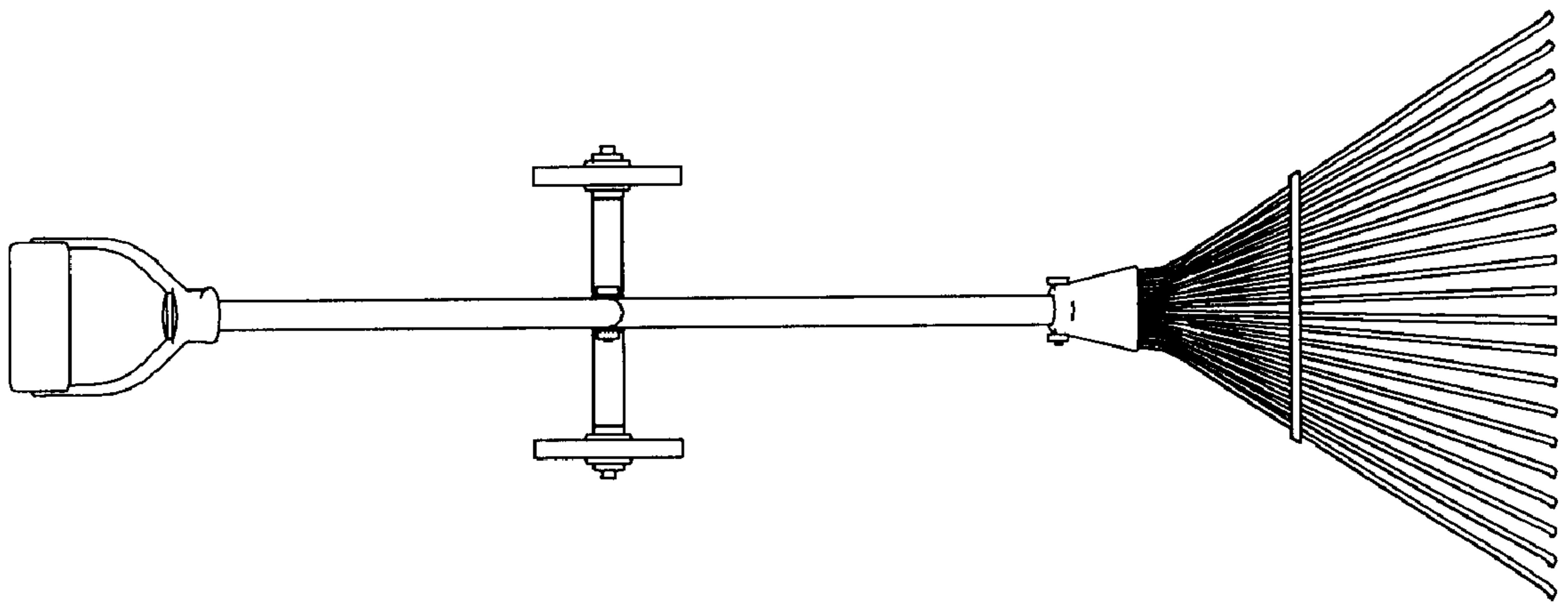


Figure 6.

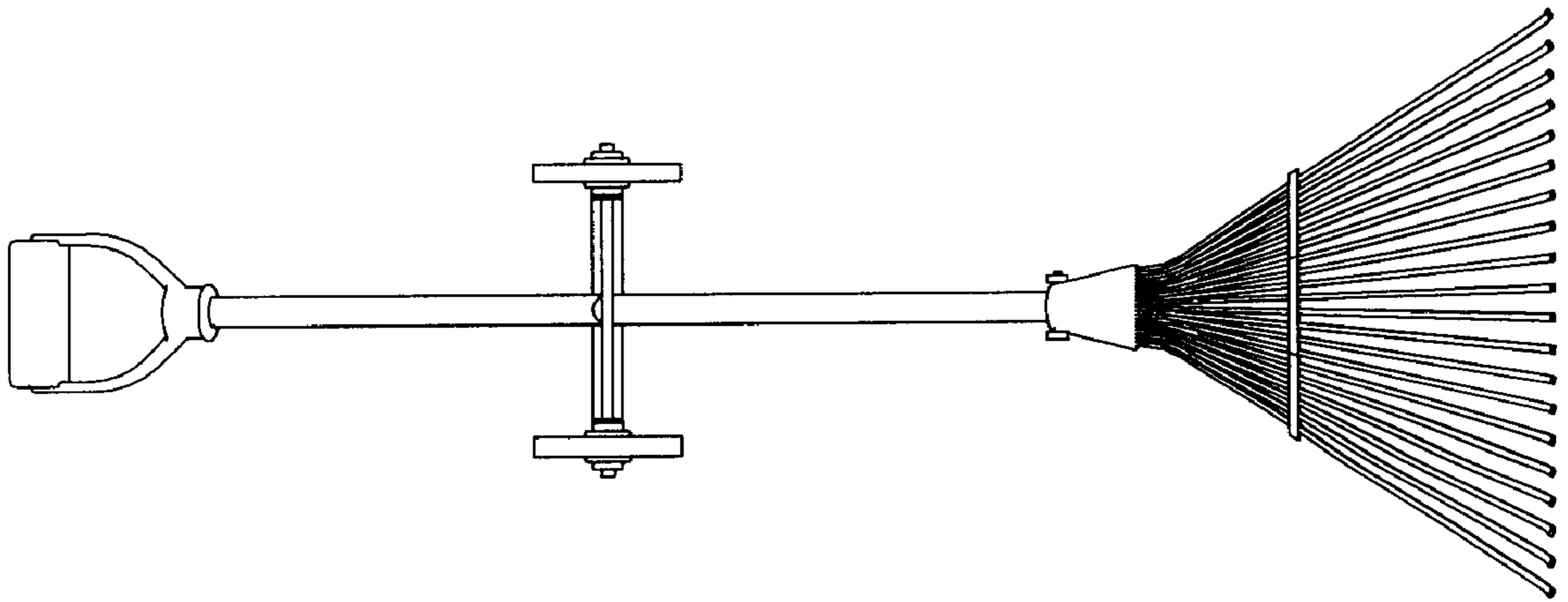


Figure 7.