



US00D484363S

(12) **United States Design Patent**
de Groot et al.

(10) **Patent No.: US D484,363 S**

(45) **Date of Patent: ** Dec. 30, 2003**

(54) **BOWL**

(75) Inventors: **Jan-Hendrik de Groot**, Brussels
(BE); **Victor J. J. Cautereels**, Ranst
(BE)

(73) Assignee: **Dart Industries Inc.**, Orlando, FL (US)

(**) Term: **14 Years**

(21) Appl. No.: **29/181,364**

(22) Filed: **May 9, 2003**

D373,932 S	9/1996	Onneweer	
D379,289 S	5/1997	Jeppesen et al.	
D383,646 S	* 9/1997	Jeppesen et al.	D7/584
D385,462 S	10/1997	Ferris	
D405,561 S	2/1999	Willinger et al.	D30/129
D415,932 S	11/1999	Cornelissen	D7/587
D423,733 S	4/2000	Choi et al.	D30/129
D424,381 S	5/2000	Terenzio	D7/667
D425,378 S	5/2000	Gilbertson	D7/667
D433,884 S	11/2000	Fujimoto	D7/667
D452,417 S	12/2001	Whitmore	D7/543
D453,283 S	2/2002	Terracciano	D7/608

Related U.S. Application Data

(62) Division of application No. 29/166,553, filed on Aug. 30, 2002, now Pat. No. Des. 477,186.

(51) **LOC (7) Cl.** **07-01**

(52) **U.S. Cl.** **D7/543**

(58) **Field of Search** D7/584-587, 550.1,
D7/555-559, 566-570, 543-547, 218; 220/574,
575

(56) **References Cited**

U.S. PATENT DOCUMENTS

D54,898 S	4/1920	Churchill	
D167,166 S	7/1952	Rodier	
D193,309 S	7/1962	Bergeron	
D197,245 S	12/1963	Bateson	
D197,574 S	* 2/1964	Gulotta	D7/545
D259,011 S	4/1981	Daenen	
D286,844 S	* 11/1986	Daenen et al.	D7/586
D288,050 S	* 2/1987	Fox et al.	D7/545
D298,295 S	11/1988	Finsilver et al.	
D319,978 S	* 9/1991	Wolff	D9/431
D339,506 S	9/1993	Feer	
D353,303 S	12/1994	Davis	
5,388,732 A	* 2/1995	Greger	222/572
D371,939 S	7/1996	Rigney	

FOREIGN PATENT DOCUMENTS

DE M8906785.1 9/1989

OTHER PUBLICATIONS

Bowls sold with Soehnle Scale, 2001—6 pages.
Mixing Bowl by Rosti, 1982—3 pages.

* cited by examiner

Primary Examiner—Charles A. Rademaker

(74) *Attorney, Agent, or Firm*—John A. Doninger

(57) **CLAIM**

The ornamental design for a bowl, as shown and described.

DESCRIPTION

FIG. 1 is a top, right side and front perspective view of a bowl showing the new design;

FIG. 2 is a bottom, left side and rear perspective view thereof;

FIG. 3 is a front elevation view thereof;

FIG. 4 is a rear elevation view thereof;

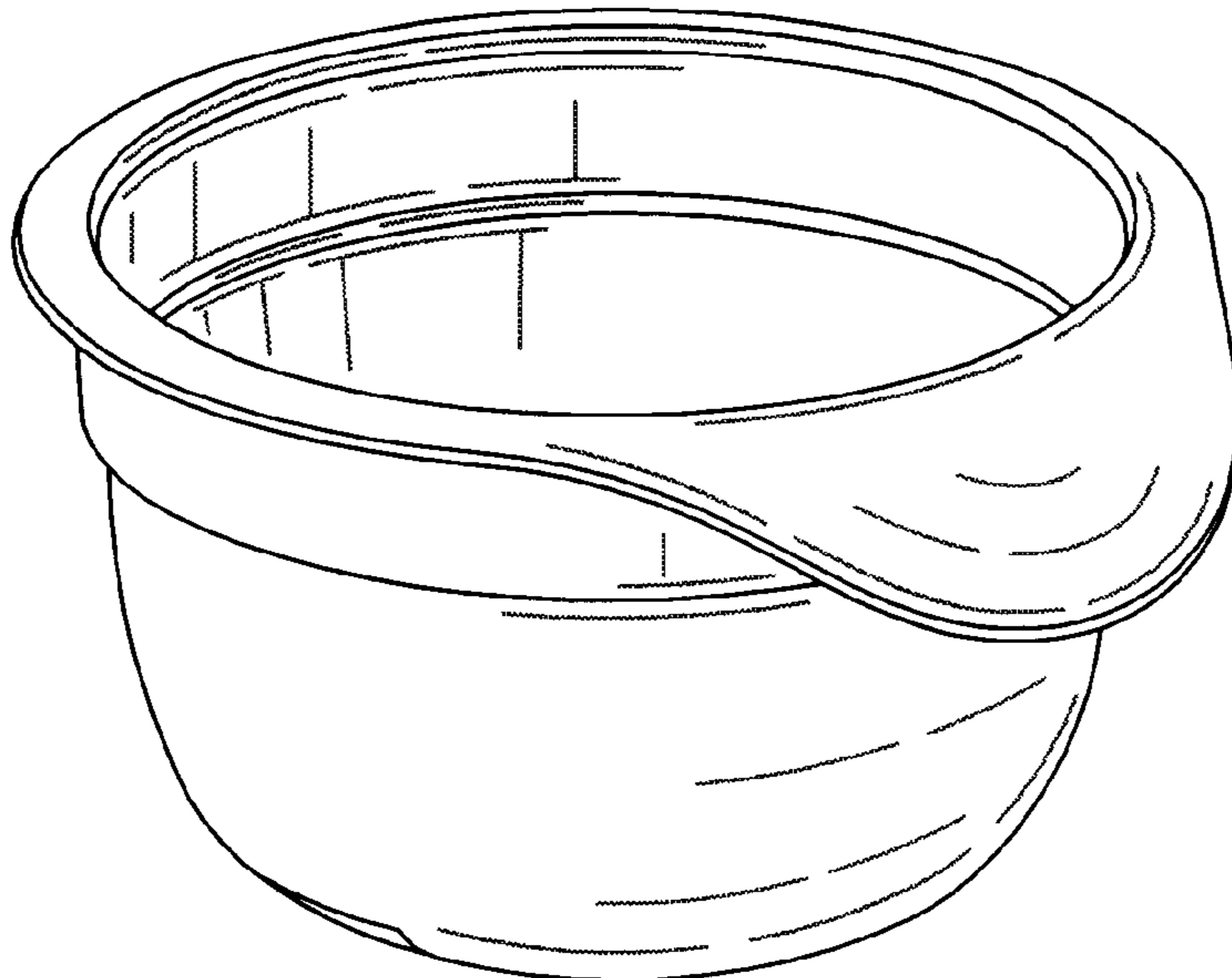
FIG. 5 is a right side elevation view thereof;

FIG. 6 is a left side elevation view thereof;

FIG. 7 is a top plan view thereof; and,

FIG. 8 is a bottom plan view thereof.

1 Claim, 3 Drawing Sheets



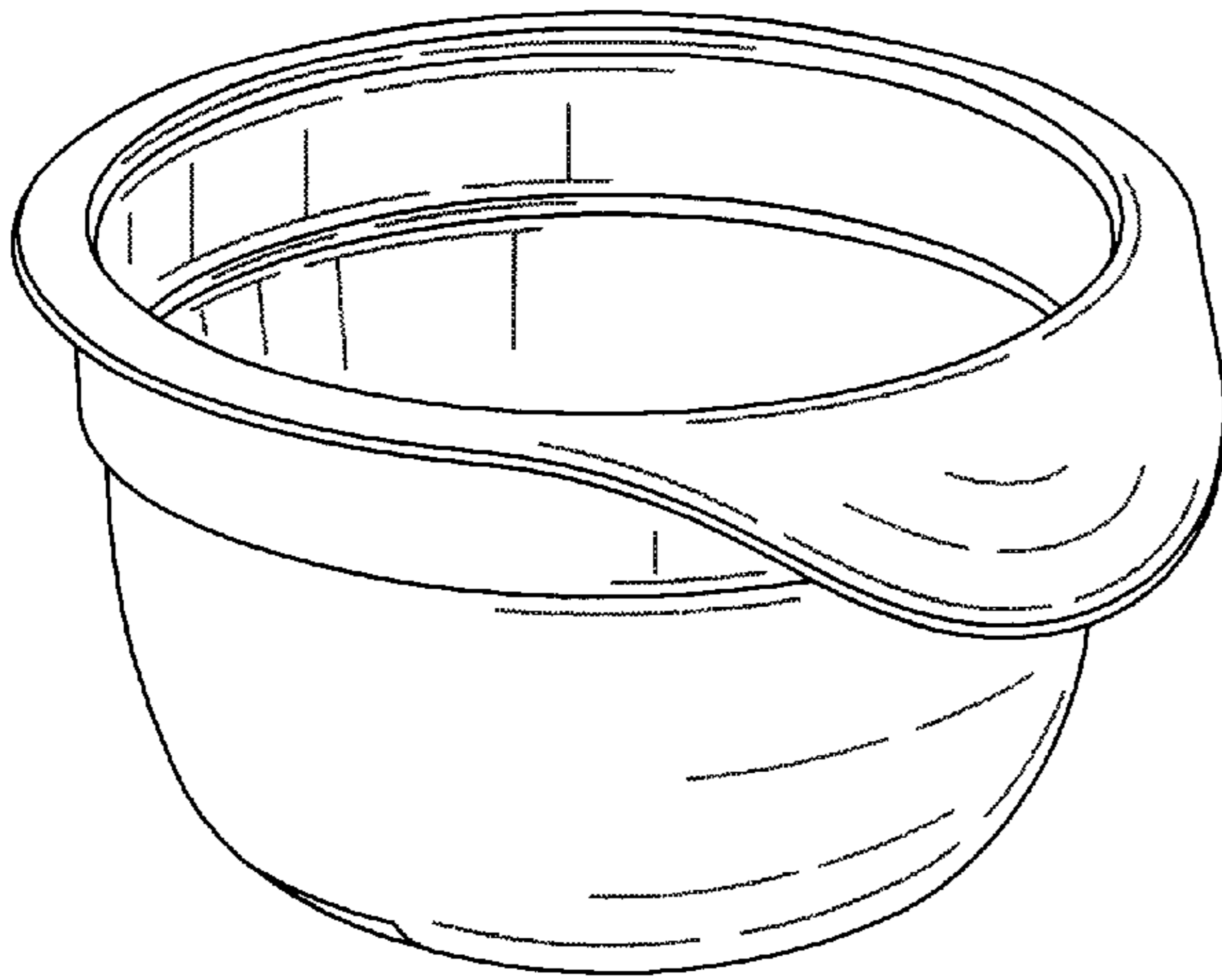


FIG. 1

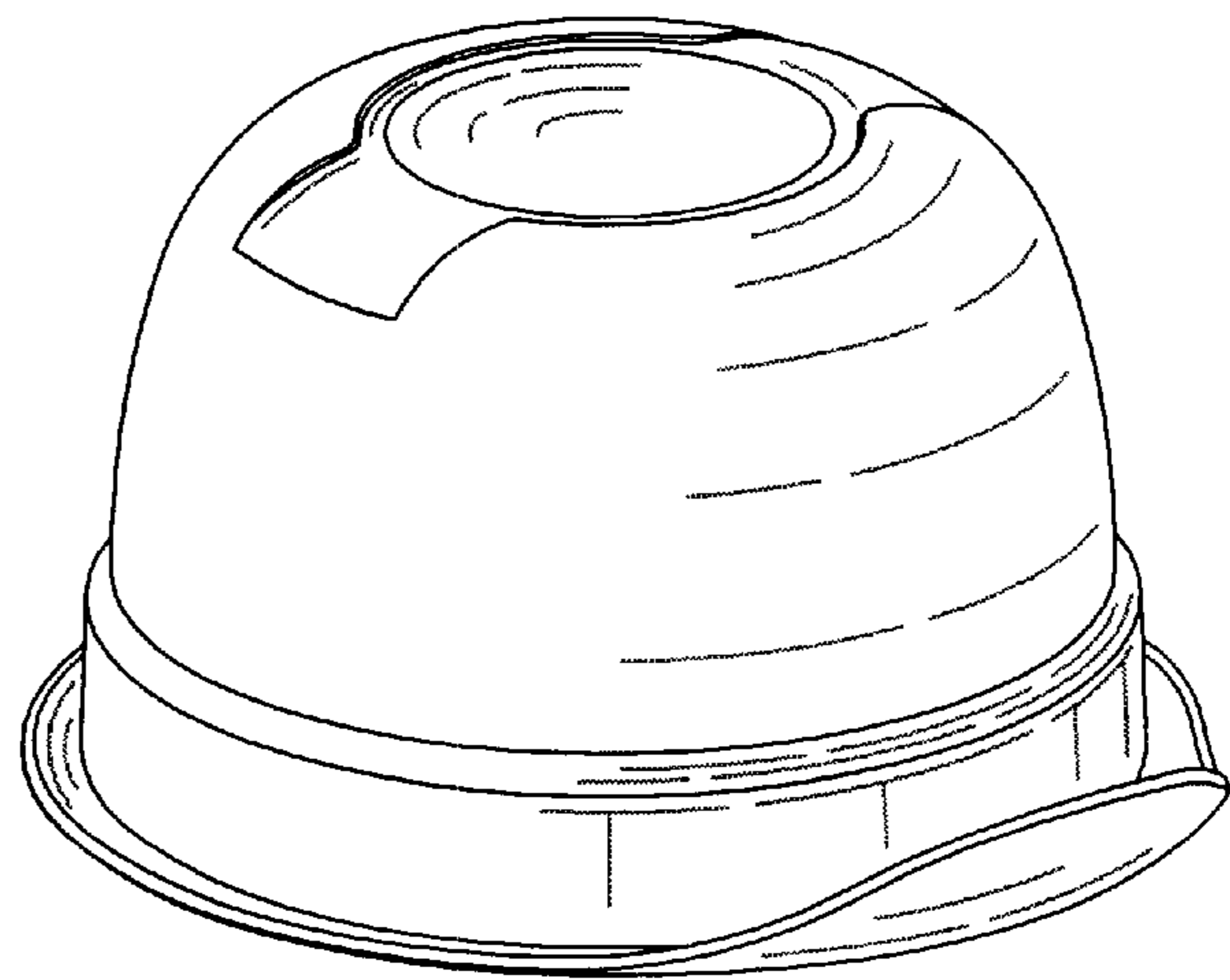


FIG. 2

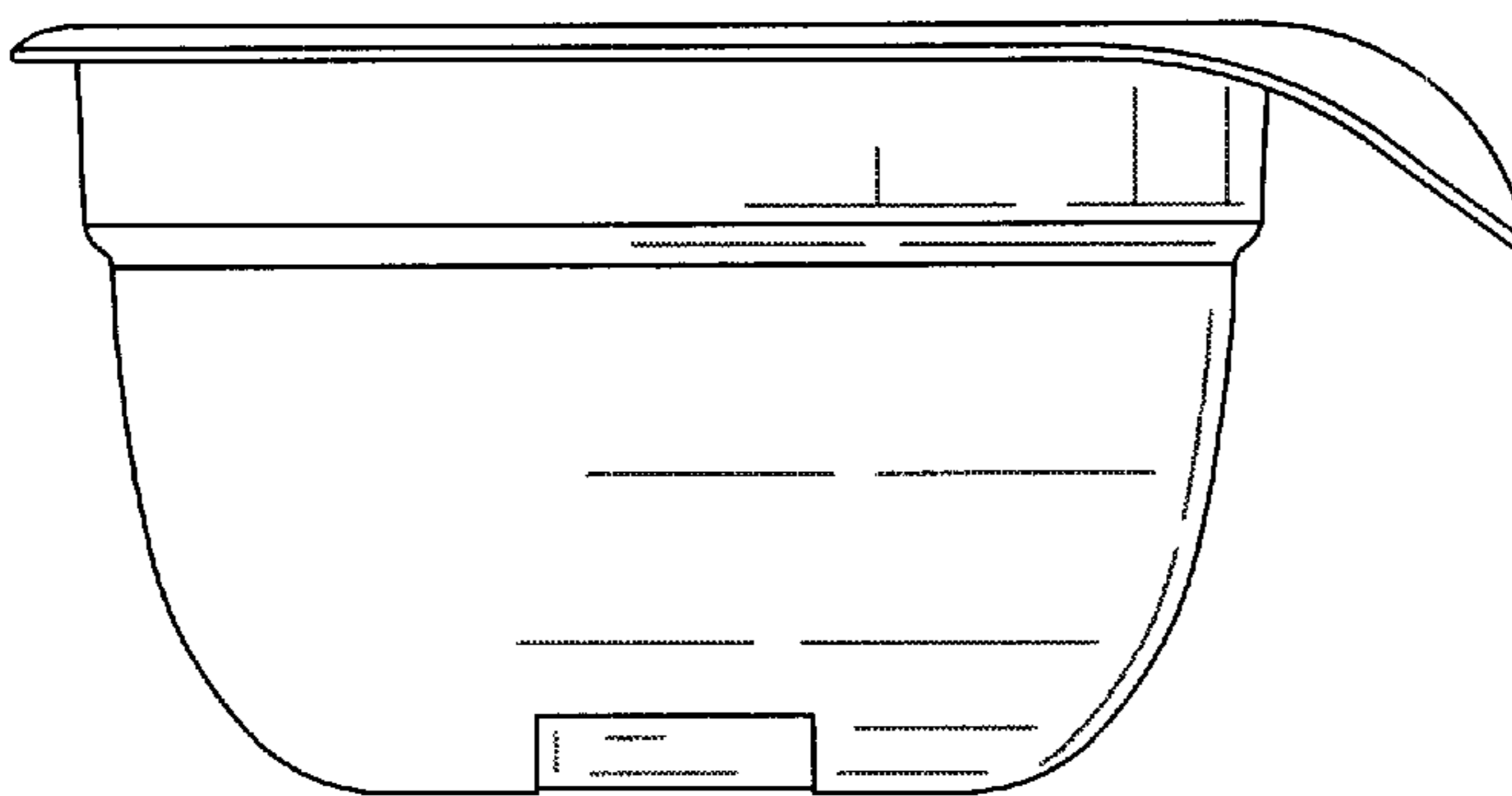


FIG. 3

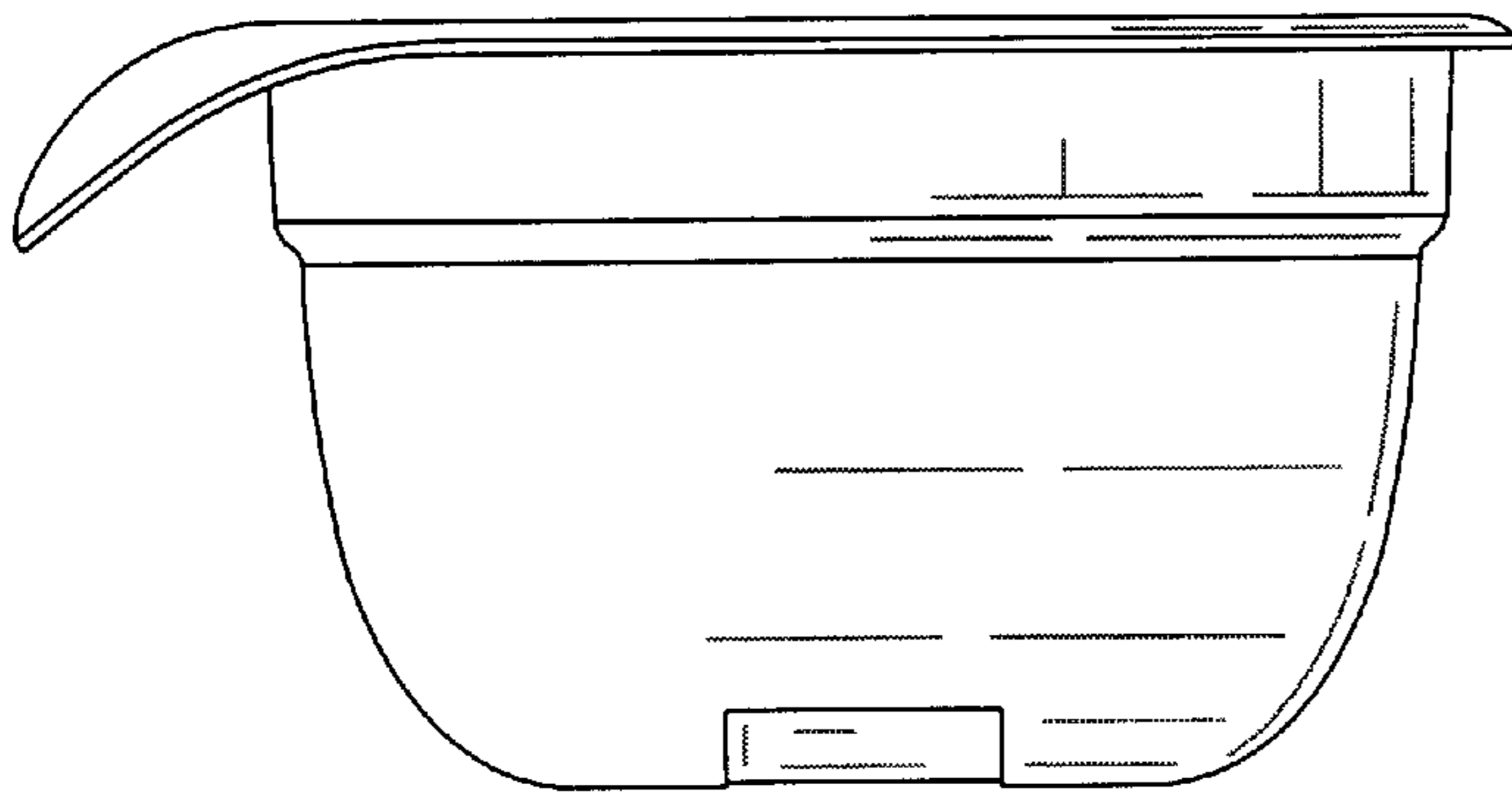


FIG. 4

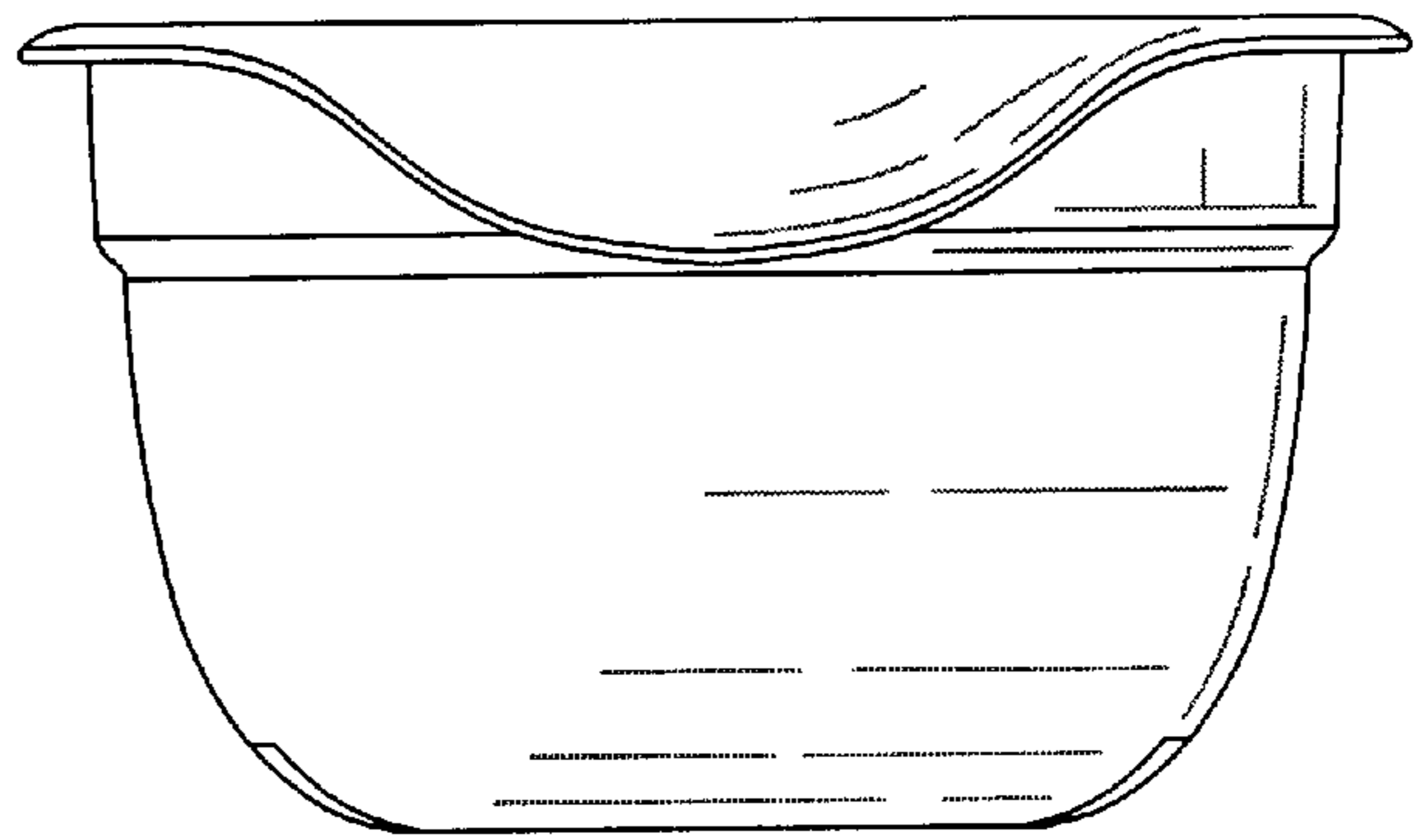


FIG. 5

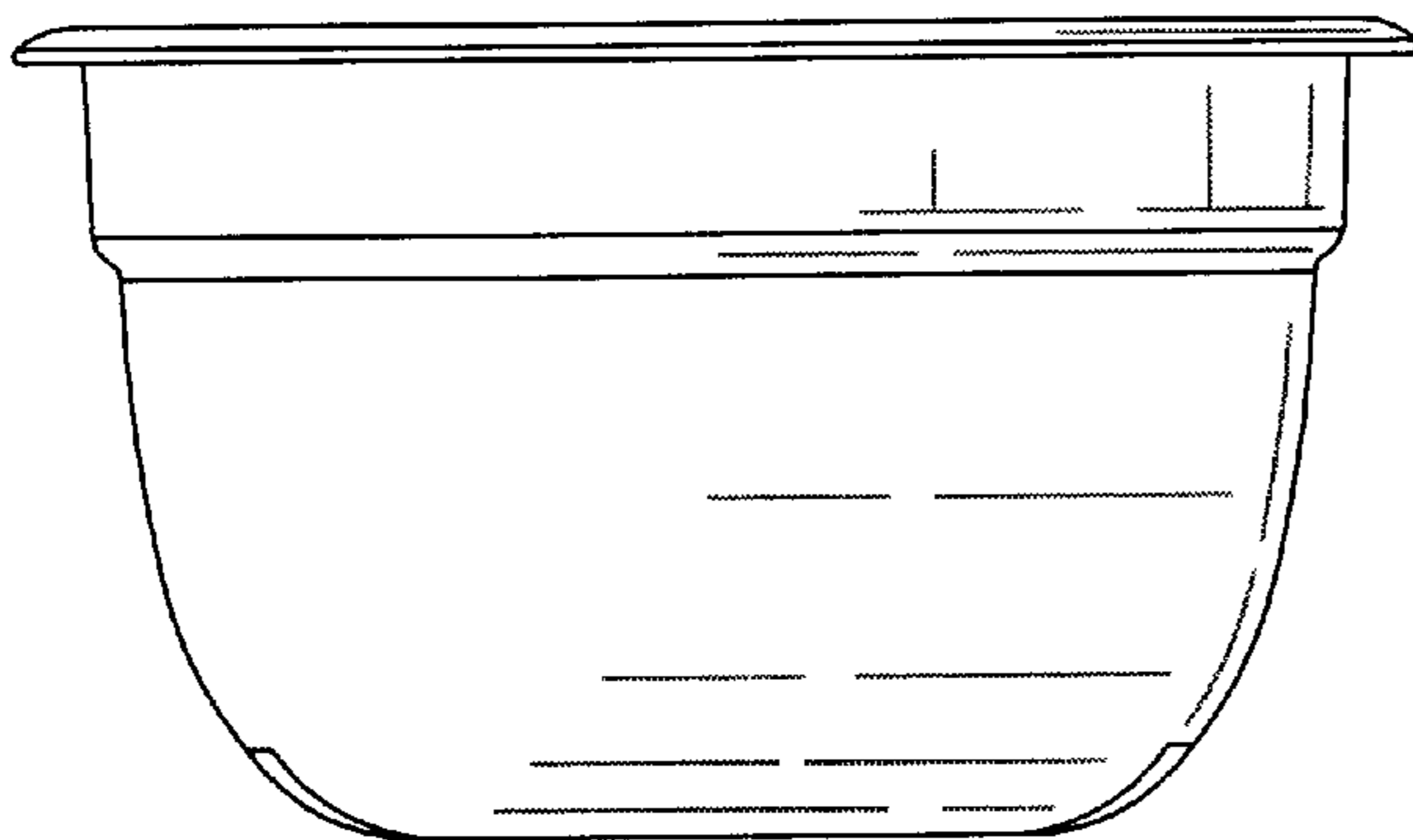


FIG. 6

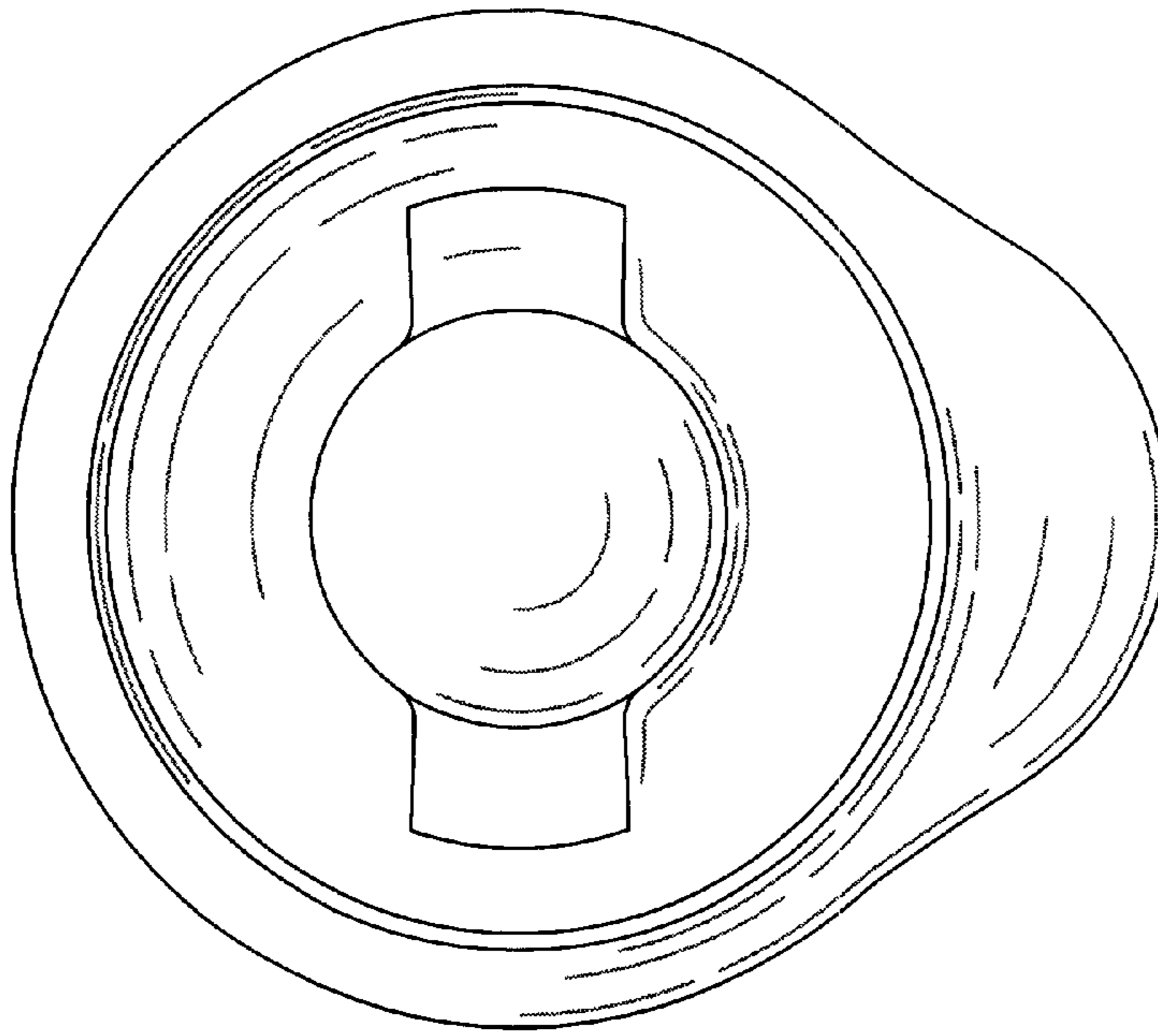


FIG. 7

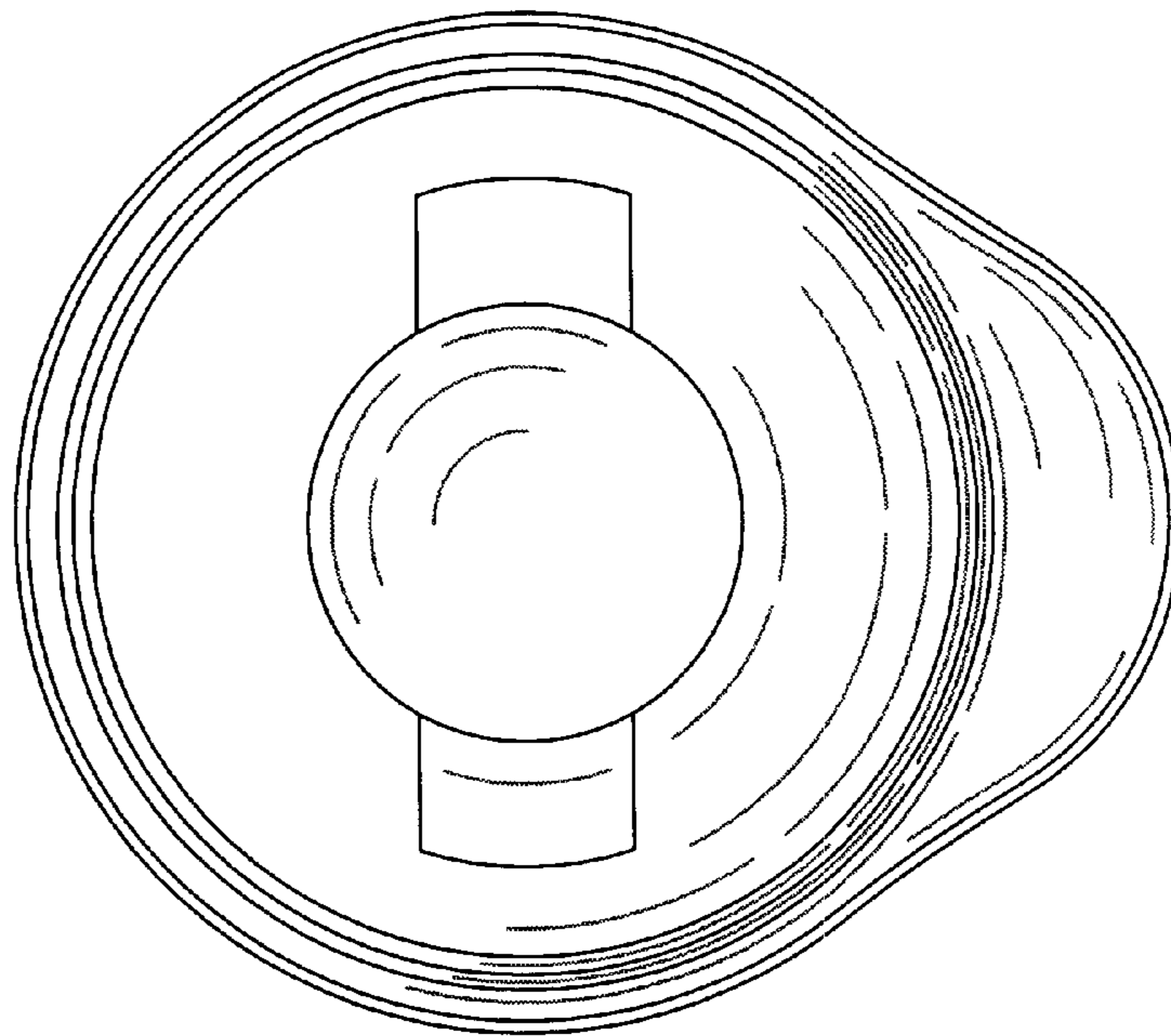


FIG. 8