



US00D484360S

(12) **United States Design Patent**
Lombardi

(10) **Patent No.:** **US D484,360 S**

(45) **Date of Patent:** **** Dec. 30, 2003**

(54) **DRINKING GLASS CHARM MOUNTING ASSEMBLY**

Primary Examiner—M. N. Pandozzi
(74) *Attorney, Agent, or Firm*—Salter & Michaelson

(76) **Inventor:** **Derek V. Lombardi**, 840 Hartford Ave., Johnston, RI (US) 02919

(57) **CLAIM**

(**) **Term:** **14 Years**

The ornamental design for a drinking glass charm mounting assembly, as shown and described.

(21) **Appl. No.:** **29/182,075**

DESCRIPTION

(22) **Filed:** **May 19, 2003**

(51) **LOC (7) Cl.** **07-01**

FIG. 1 is a perspective view of a drinking glass charm mounting assembly showing my new design;

(52) **U.S. Cl.** **D7/396.2; D7/396.1; D7/396.3**

FIG. 2 is an enlarged perspective view thereof;

(58) **Field of Search** **D7/396.3, 396.1, D7/402, 396.2, 515, 667, 387, 396.6; 220/716, 23.83; 116/308; 40/324, 310; 210/469; 431/289; D9/434; 248/363; 362/397**

FIG. 3 is a further enlarged perspective view;

FIG. 4 is a side elevational view thereof;

FIG. 5 is a top plan view thereof;

FIG. 6 is a bottom plan view thereof;

(56) **References Cited**

U.S. PATENT DOCUMENTS

FIG. 7 is a perspective view showing the ornament spaced therefrom;

FIG. 8 is a perspective view of a modified form of my design;

FIG. 9 is a side elevational view thereof;

FIG. 10 is a top plan view thereof; and,

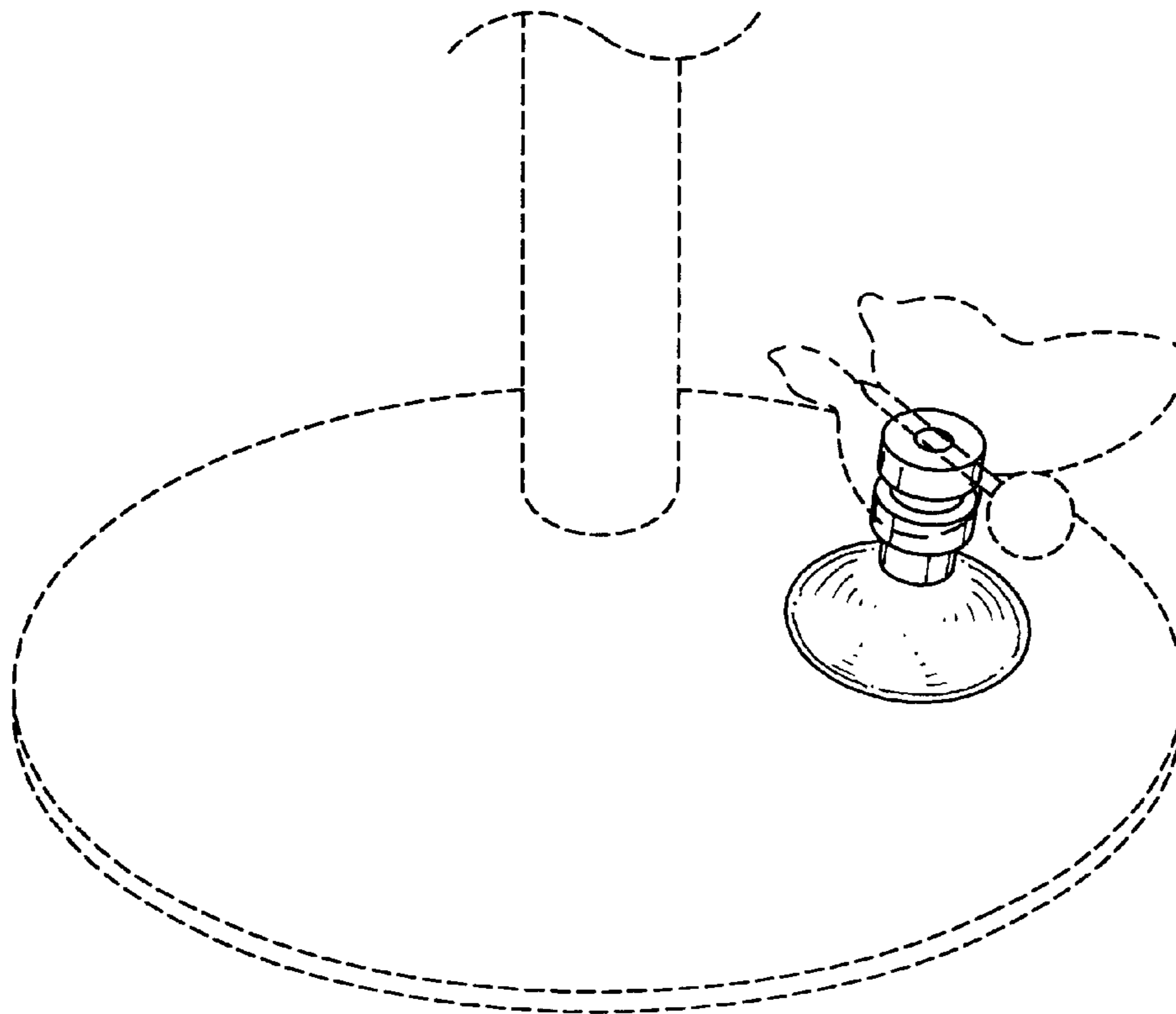
FIG. 11 is a bottom plan view thereof.

3,298,206	A	*	1/1967	Hingston	431/289
D283,775	S	*	5/1986	Campbell	D7/396.2
5,964,437	A	*	10/1999	Belokin et al.	248/205.5
D459,151	S	*	6/2002	Skapyak	D7/396.2
D463,211	S	*	9/2002	Norris et al.	D7/396.2
6,530,163	B2	*	3/2003	Skapyak et al.	40/310
D477,781	S	*	7/2003	Lavallee	D9/434
6,588,718	B2	*	7/2003	Kalb	248/205.5

The portions shown in broken lines in FIGS. 1, 2 and 7 are for illustration only and form no part of the claimed design.

* cited by examiner

1 Claim, 5 Drawing Sheets



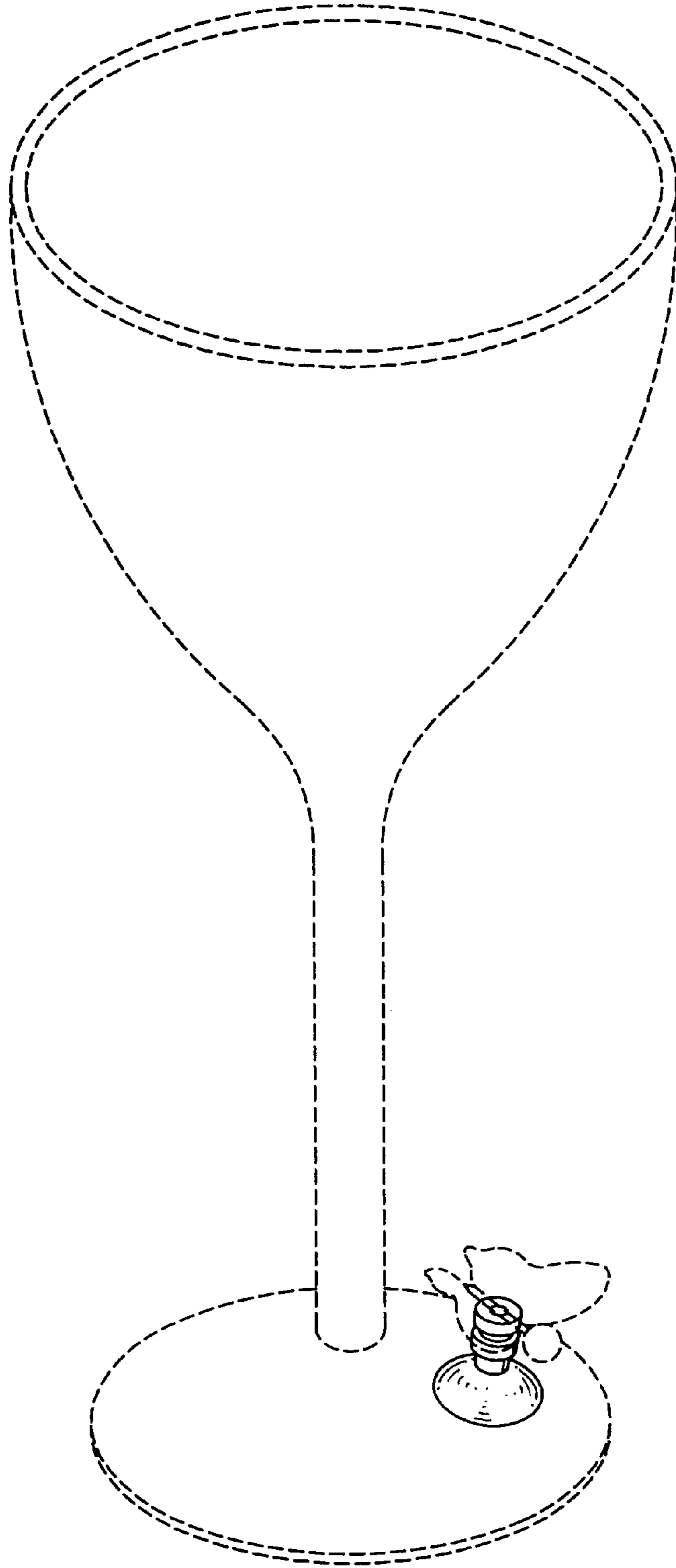


FIG. 1

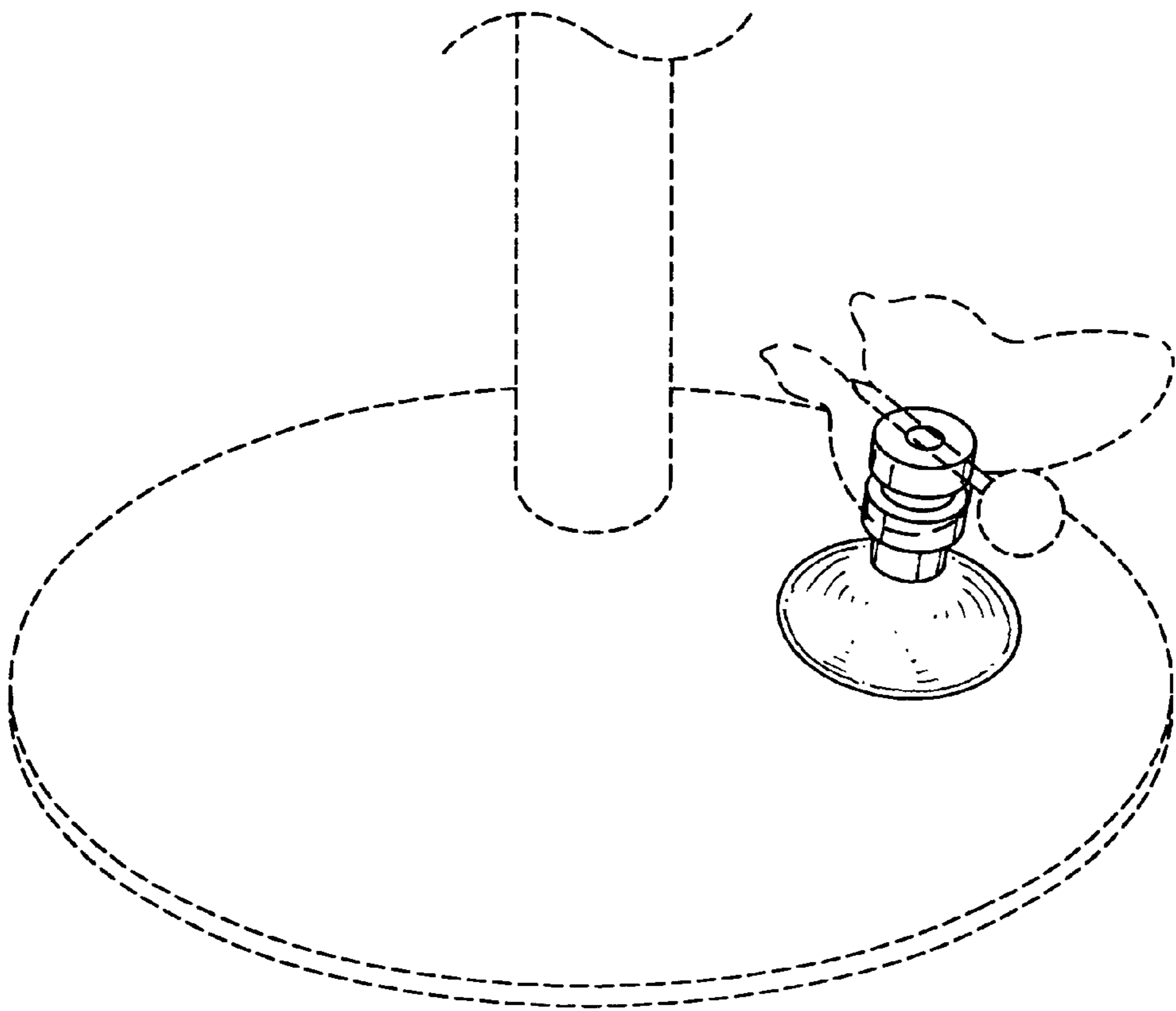


FIG. 2

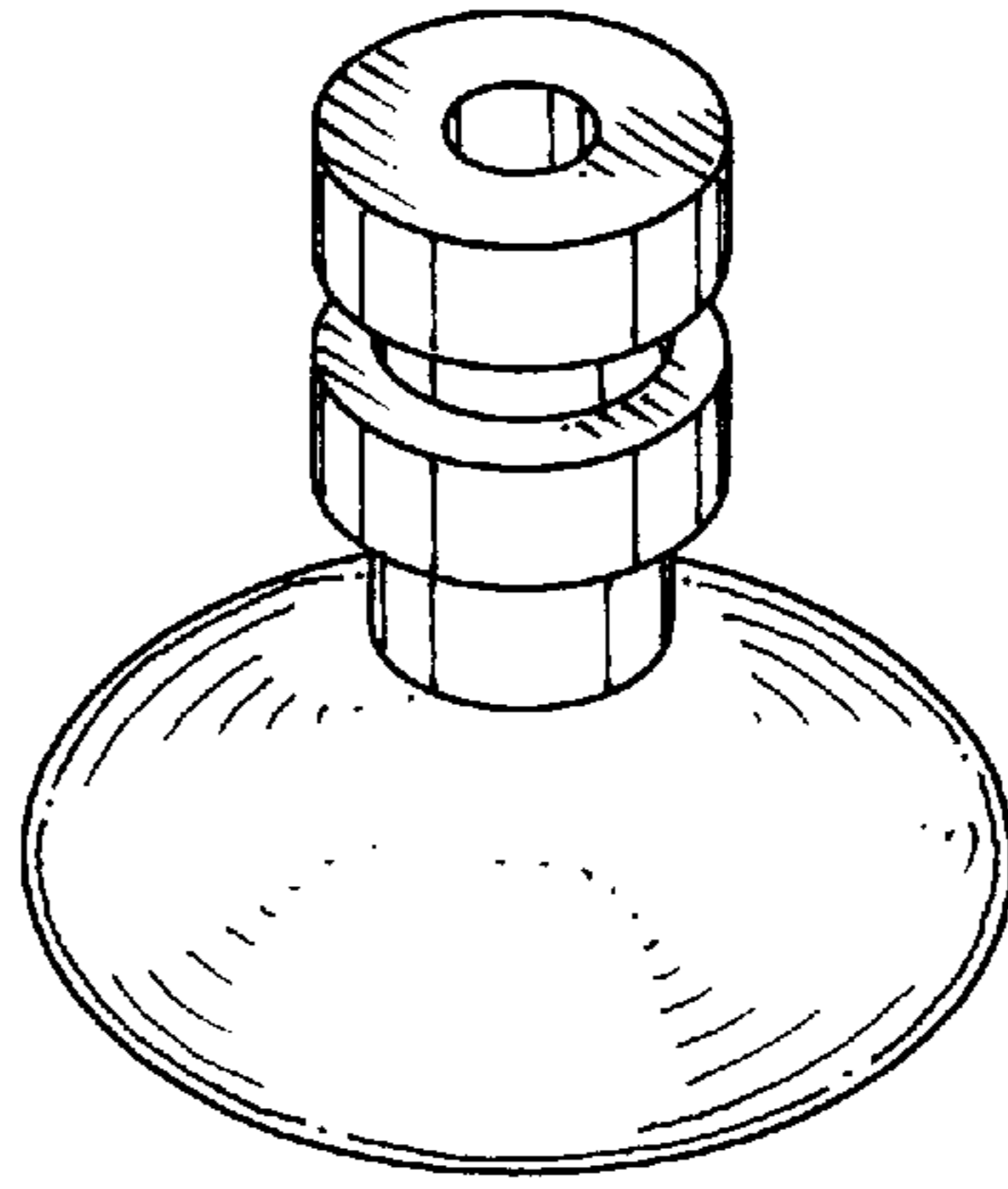


FIG. 3

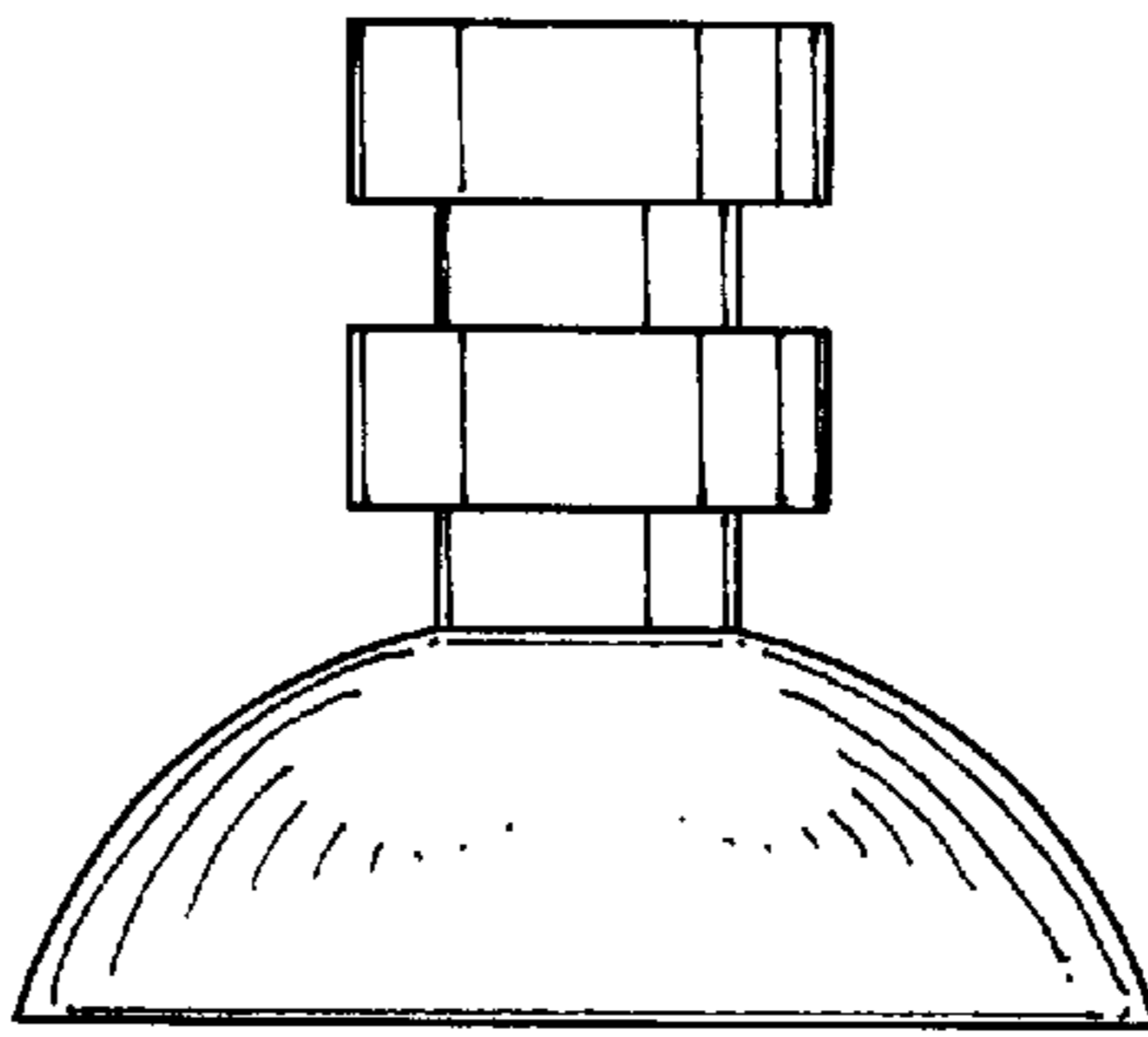


FIG. 4

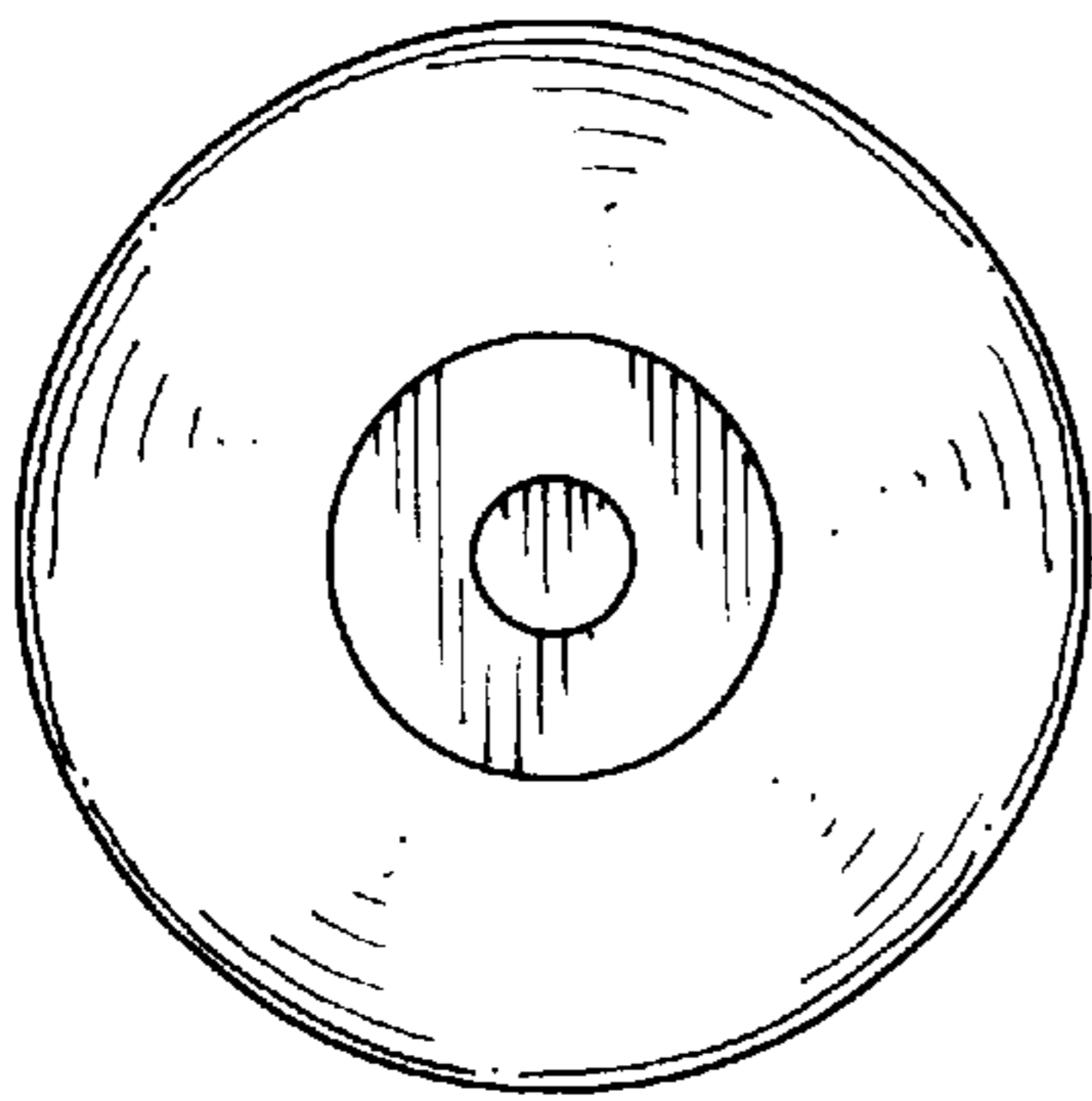


FIG. 5

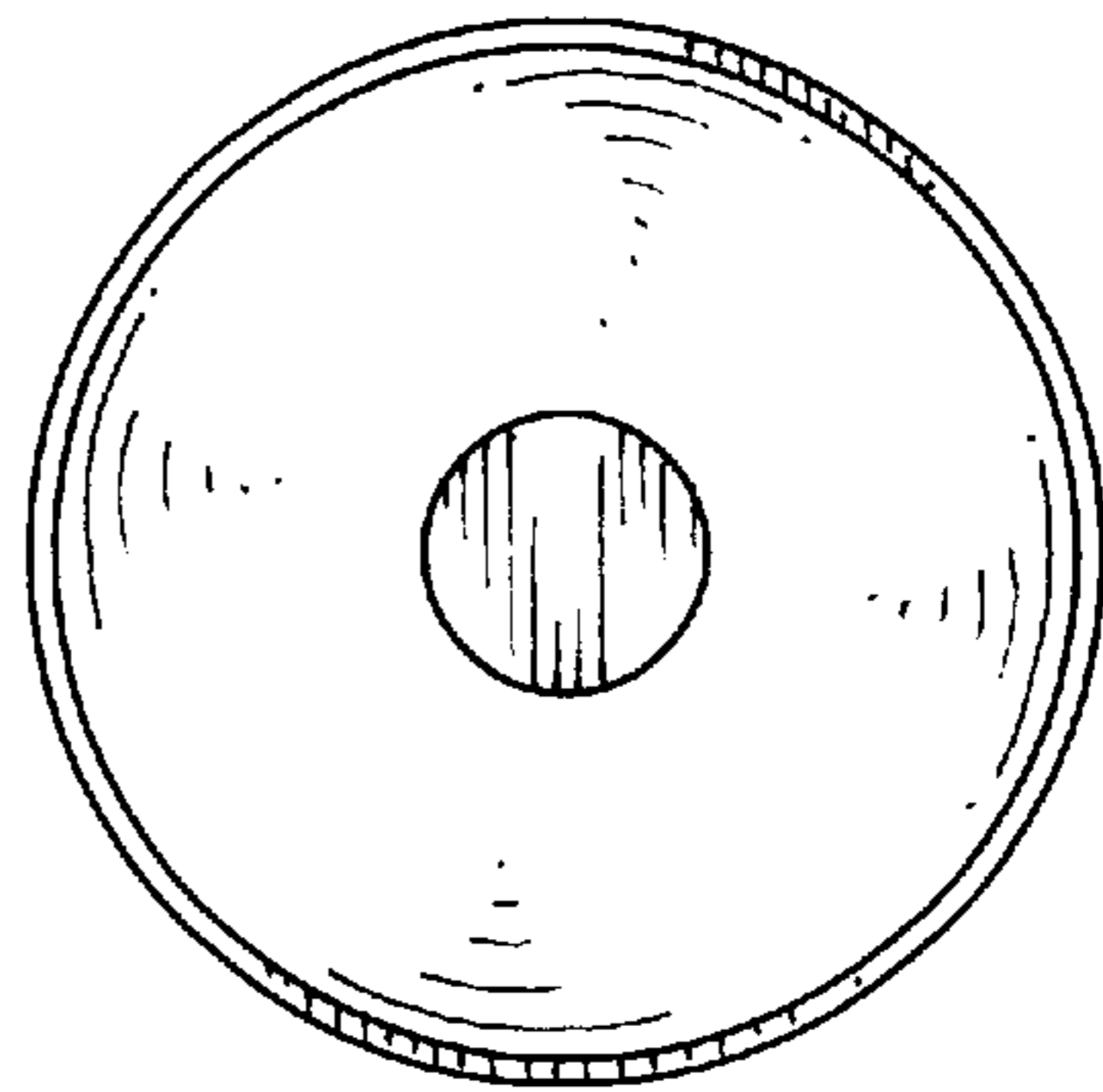


FIG. 6

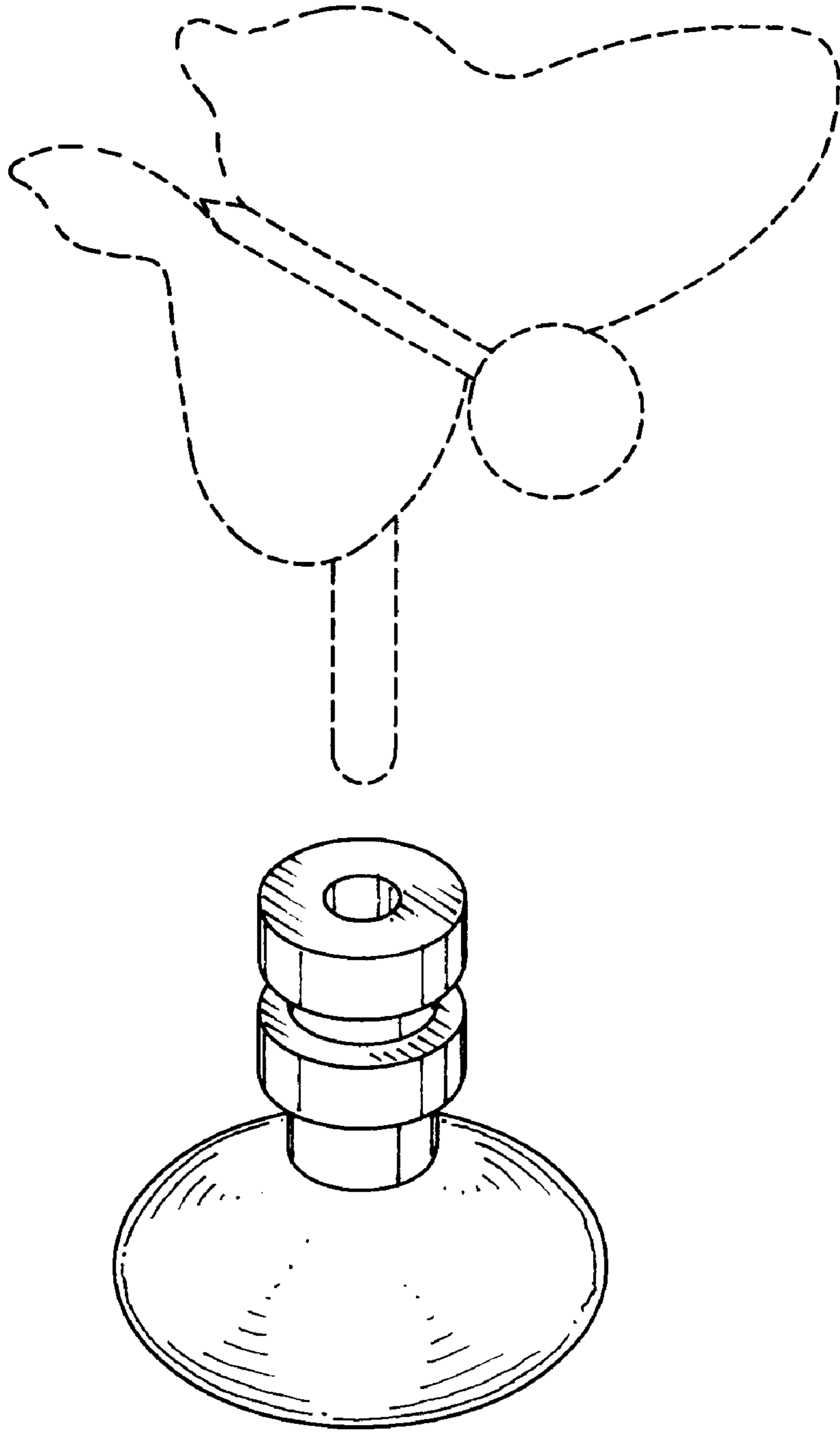


FIG. 7

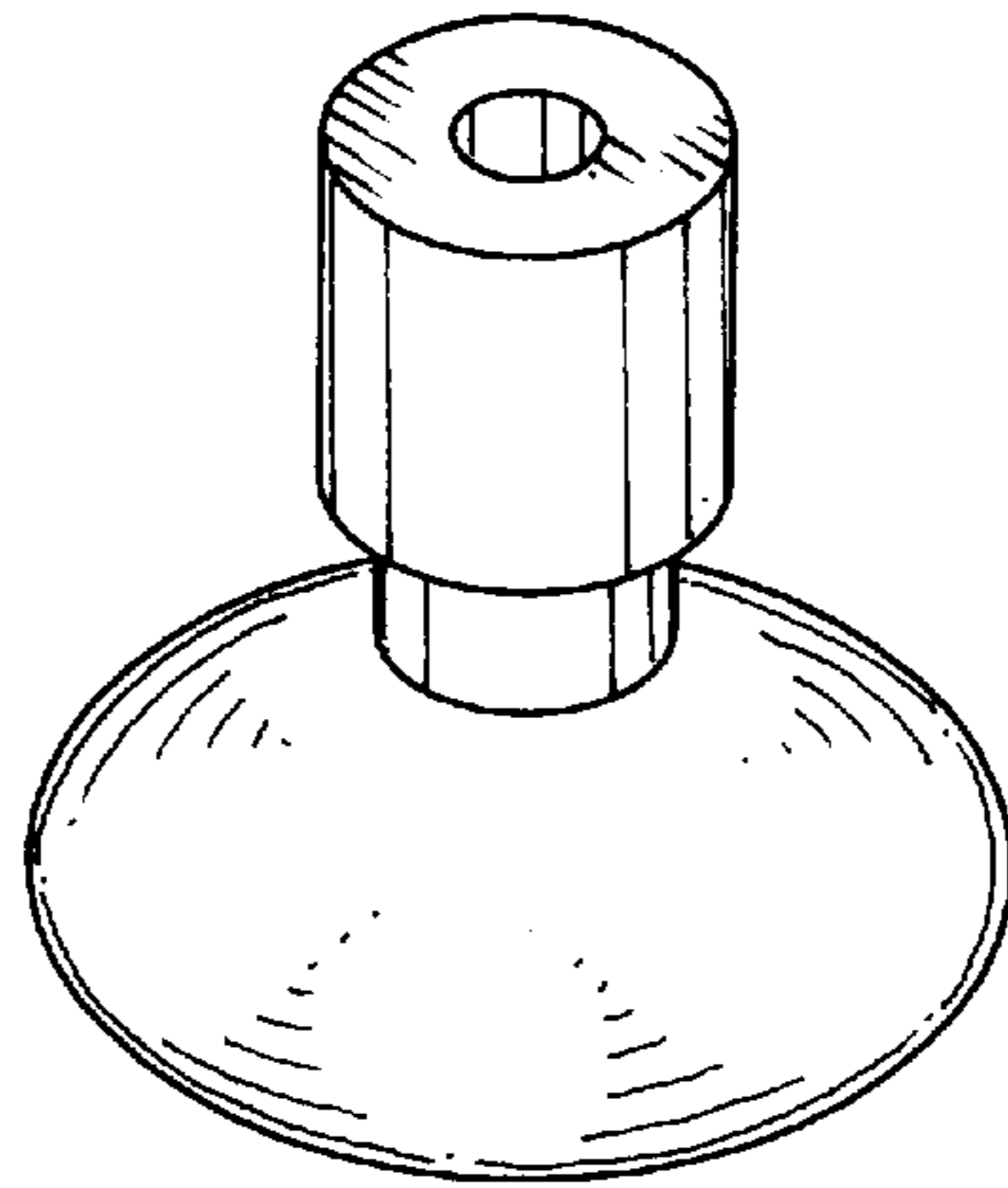


FIG. 8

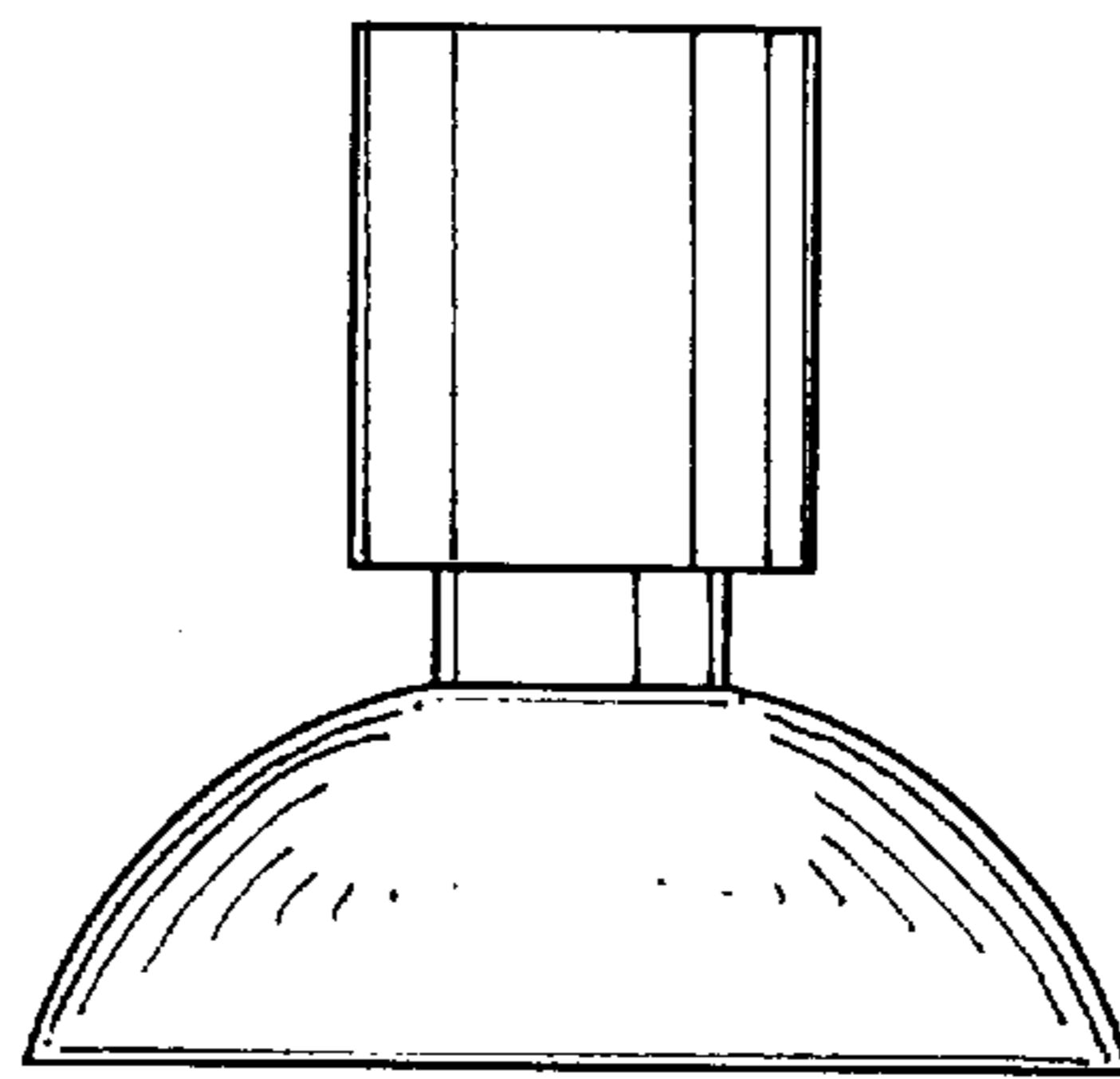


FIG. 9

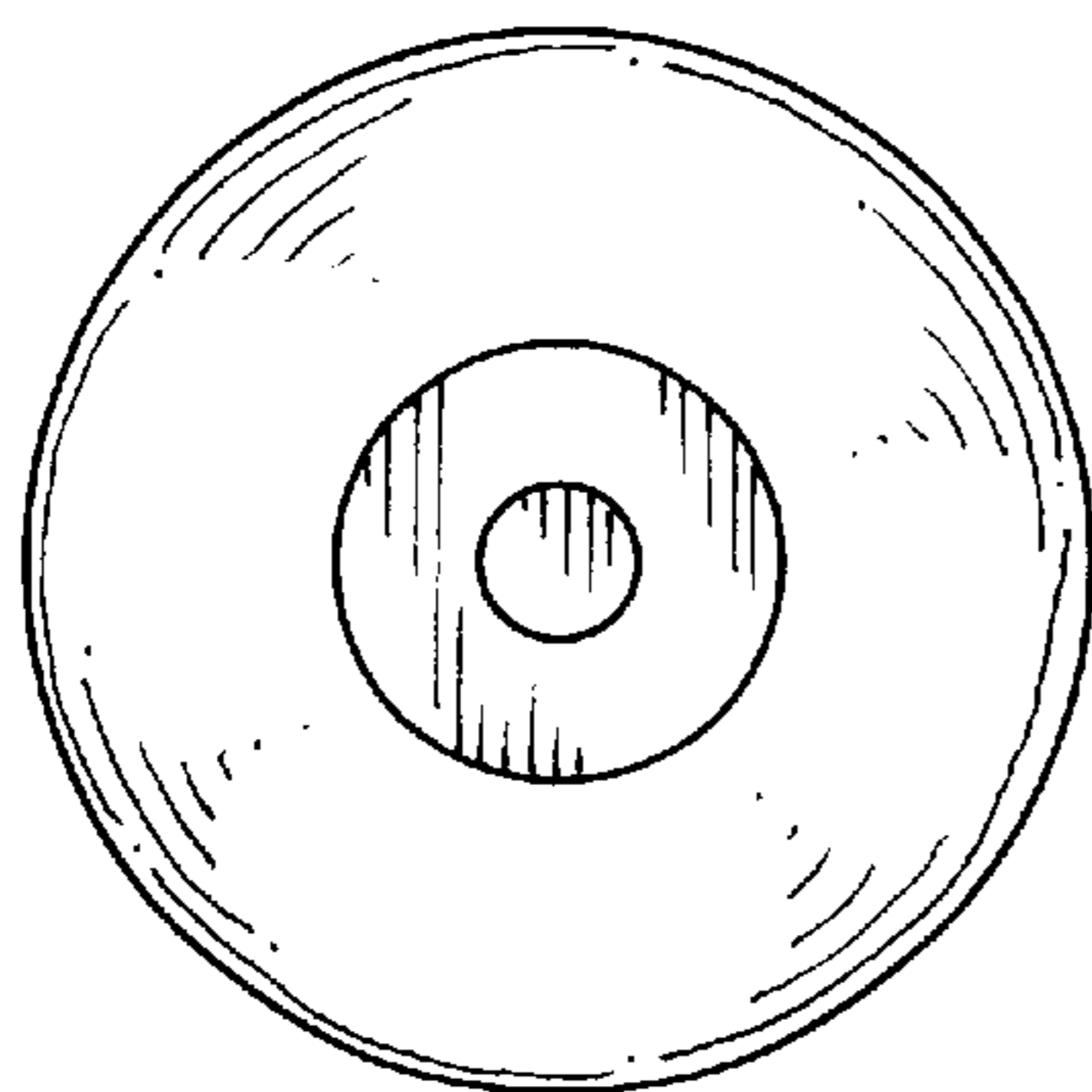


FIG. 10

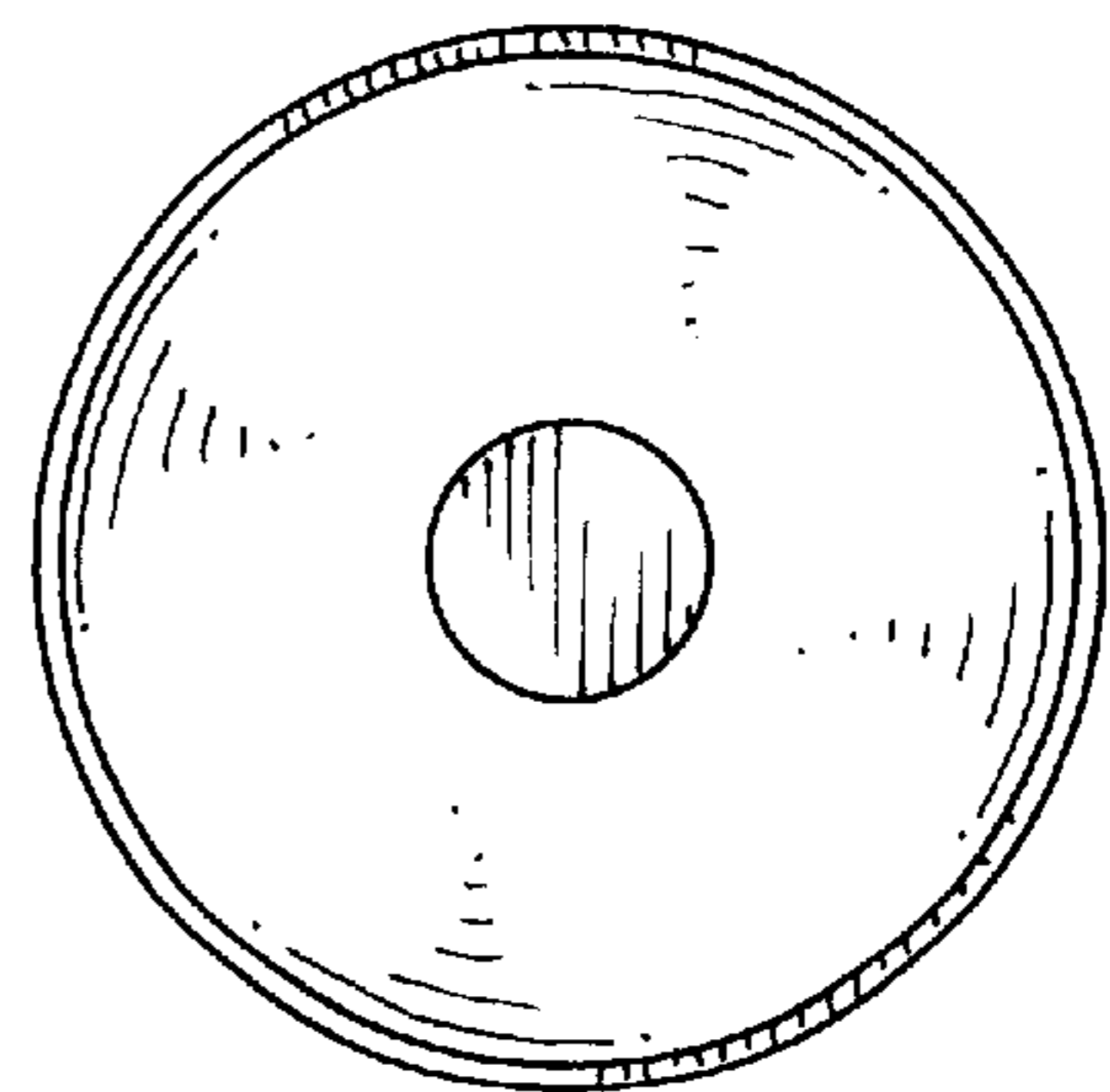


FIG. 11